



# Furniture Fittings

Better Functionality...



The Complete Range

EuroArt (U.K) Ltd with operators in Blackburn UK develops and manufacture a comprehensive line of furniture fittings, including an extensive range of cabinet hinge, drawer runners, locking system, kitchen fittings, sliding systems, furniture handles, LED & related accessories.

Continuous research, new technologies and innovative design have positioned us among the world leaders of very reliable products with a high aesthetic value.

We ensure all products are tested and certified to internationally accepted industry standards issued by third party internationally recognized testing houses. Quality is incorporated in every stage of manufacture by the people behind the product. From design to machine operation, assembly and through to inspection every individual takes responsibility for their part in the design and manufacture of the product and contributes to a continuous quality control ethic. Function and form characterise the Euro Art products.

We have set up a dedicated export office with a single, challenging responsibility, to coordinate the export activities among all parts of the world. EuroArt will play a critical role in support of international architects, contractors and multinational corporations who demand the sophistication of quality product in every corner of the globe. Through specification writing, consulting and product selection we offer unmatched product solutions to meet the demands of today's modern buildings, while offering worldwide local support through our vast network of partners and distributors.

EuroArt will be proud to be given the opportunity to be your preferred leading specifier, distributor and technical service provider of architectural hardware, furniture fittings across worldwide construction industry. In addition to superior product quality, EuroArt offers a mix of product expertise at a pricing that is unsurpassed in the global hardware industry.

Fine Buildings, whether new structures or refurbishment, will always need fine quality fittings and EuroArt will be there to provide them, now and in the future.

### **Guarantee**

To support the high quality and first class engineering that has gone into the EuroArt product range, we offer a two to ten years guarantee (subject to conditions) against defects due to faulty manufacturing, workmanship or defective material. The manufacturer agrees to replace any defective EuroArt product free of charge provided the product has been fitted in accordance with the fitting instructions and maintained correctly.

### **Technical Support**

Comprehensive information and technical support services are available by contacting:

Tel: +44 1254 263934

Email: [me@euro-art.co.uk](mailto:me@euro-art.co.uk)

Or visit our website

**[www.euro-art.co.uk](http://www.euro-art.co.uk)**



Malcolm Brown  
Honorary Chairman

Dear Patrons,

After many months of development, it is with great emotion and pleasure, that I am introducing our new extended range of furniture fittings. Our team has worked with renewed focus and energy to improve our market share, reduce our cost base, streamline the supply chain and ensure launch of products on time to delight our customers.

After successfully supplying cabinet hinges, drawer runners, pulls, locks etc in UK market for many years, we have added LED, popup sockets, kitchen fittings & accessories to act as a single source supplier of all your furniture fitting & joinery requirements. We believe it would suit your needs greatly and deliver as per your requirement.

The catalog comes in much handier format and is structured clearly to help you find the fitting you are looking for - easier and faster. You will find a lot of new and interesting fitting and accessories in this catalog. We ensure all products are superior quality and are tested to meet high standards of third party certifications (SGS, RoHS, TUV, CE).

Euroart is committed to investments in new technologies to develop products that meet the challenges and opportunities of the growing market, including developing sustainable technologies. Euroart monitors quality performance and implements corrections to improve product performance, thereby improving customer satisfaction.

I would like to thank our employees as well as our extended partners, including dealers, OEM companies and other stakeholders for their hard work and commitment in this growing phase of Euroart. With already dominant market position across United Arab Emirates, Bahrain, Oman, Kuwait, Qatar etc, Euroart is growing market share across Africa, Saudi Arabia, Bangladesh & Sri Lanka.

In conclusion, I would say that we have immense opportunities, and we are optimistic about the new range of Euroart. We are always open for suggestions, ideas, help and are committed to a continuous development program.

Looking forward to your continued support, as we put in our best to meet your expectations!

Warmest Regards,

Malcolm Brown  
Honorary Chairman  
EuroArt UK



## Our business and our values



### **Our environmental, social and ethical responsibilities:**

EuroArt is committed to environmental leadership in all of our business activities from operations to product design and recycling solutions. EuroArt's corporate policy on environmental affairs is supported by the company's global environmental management system, which is key to our efforts to achieve results consistent with environmental leadership and ensures the company is vigilant in protecting the environment across all of our operations worldwide.

Just as EuroArt is dedicated to providing innovative design and technologies, we are equally devoted to ensuring that our products, employees, sites and suppliers are following the commitments we have made to socially responsible business practices.

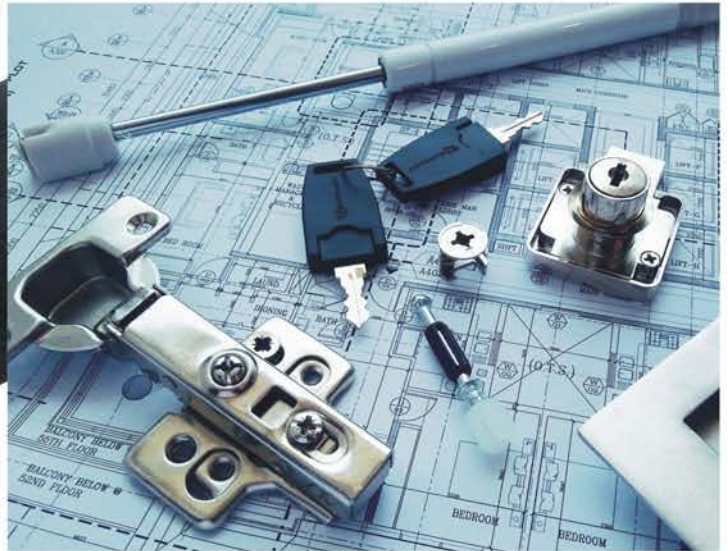
EuroArt embraces the values of customer service, innovative and entrepreneurial spirit, and integrity. We seek to integrate these core values into every aspect of our business and into policies and procedures in areas of quality and safety for products, employee welfare, managing a global supply chain, ethical corporate behavior, social investments and environmental affairs.

### **Ongoing and innovative product development**

Since EuroArt was established, several design and technology visions have been devised in tune with the trends of the time that have led to the creation of new products. The development of the company's vision is proof of its entrepreneurial and innovative spirit. We believe that a vision is essential for setting the stage to create new products that genuinely add differential value. EuroArt constantly strives to increase the quality of our products and service levels making sure that they meet the required demands, standards and needs of our customers at all times.

We engage with our channel partner as well as supplier very closely. We believe partnering with our suppliers and dealers for sharing knowledge and developing capacity, will add our cost efficiency and ensure an enhanced customer experience.

# Building on Relationships



**Since the mid-1980s, we have been associated with supply and distribution of high quality Furniture Fittings, Architectural Ironmongery & Glass Fittings products and services to UK construction industry.**

EuroArt is committed to the highest standards of integrity and responsibility when working with all stakeholders. We are committed to being a responsible and active corporate citizen, consistently working to improve its business while contributing to the development of society. The company embraces the values of customer satisfaction, innovation, operational excellence and trustworthiness. EuroArt seeks to integrate these core values into every aspect of its business.

By working with EuroArt, you will have access to a whole network of specialist knowledge and product excellence.

## **The EuroArt service package**

EuroArt's service support enables us to work in partnership with you to create viable and cost-effective solutions that meet your requirements.

In addition to being the region's leading company, EuroArt Middle East company full-time hardware consulting and FF&E experts offering consulting services to architects, end uses, interior designing and consulting managers.

Specification section can be prepared in your preferred format for the following product ranges.

- Architectural Hardware
- Furniture Fittings
- Glass & Shower Hardware



Furniture hardware is more than a way to open, close and secure a space. It's an integral part of a design theme.

EuroArt furniture solutions make opening and closing furniture a fascinating experience. Our hinge, runner systems, lift and different motion technologies bring enhanced use convenience to the entire home – kitchens, wardrobes and furniture.

EuroArt would like to be considered as a valuable partner for joinery companies & furniture manufacturers. We offer mechanical solutions that are able to solve most kinds of situations in the furniture manufacturing. Our focus is on products that, after installation, aren't often even visible. Their function, however, is perfectly noticeable. Our manufacturing process is performed by state-of-the-art technological hardware and quality control assurance.

The ability to identify trends and implement them in our range represents an important part of our work. Over the years we have partnered with the leading furniture components manufacturers across the European market. This gives us a complete range of products of high quality you mostly need in your home. The quality of the materials used, the research of enhanced working processes, the attention to detail and the new ideas of organizing spaces are the central points of the project and they allowed us to create an exceptional products range and stay ahead of our competition.

# One Stop Solution!

EuroArt brings to the table a comprehensive range of door hardware for metal, wood and glass doors together with fittings for wardrobe, kitchen and lighting solutions. We offer the following three product lines to create the One-Stop Solution for all your door hardware & furniture fitting requirements:



## ARCHITECTURAL HARDWARE

- Lever Handles & Knobs
- Pull Handles
- Locks & Latches
- Cylinders
- Hinges
- Door Closers
- Panic Hardware
- Electro-mechanical Products
- Accessories
- Sliding & Folding Door Gear
- Bathroom Accessories



## FURNITURE FITTINGS

- Hinges & Flap Stay
- Lighting & Popup Sockets
- Sliding  
(Drawer Slide Box System & Drawer Runners)
- Cabinet Locking System
- Kitchen Fittings & Accessories
- Doors & Wardrobe Sliding System
- Furniture Handles & Knobs
- Wardrobe Fittings
- Furniture Accessories



## GLASS HARDWARE

- Floor Spring with Cam Motion Technology
- Hydraulic Patches
- Hydraulic Hinges
- Patch Fittings
- Pivot System
- Pull Handle
- Lockset & Hinges
- Shower Hinges & Connectors
- Knobs & Towel Bars
- Sliding System
- Support Bars & Brackets
- Automatic Door Bottom
- Sealing Strips

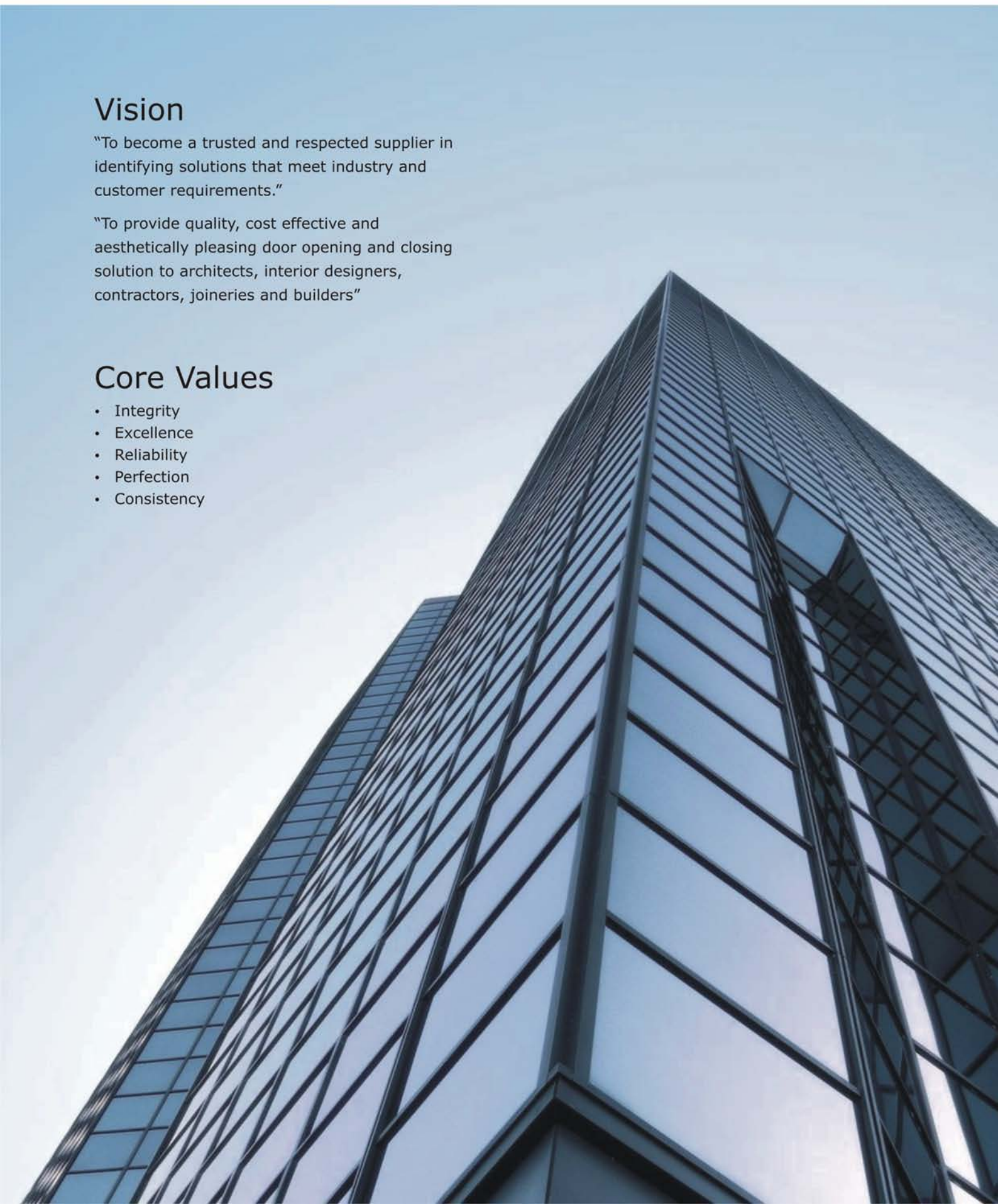
## Vision

"To become a trusted and respected supplier in identifying solutions that meet industry and customer requirements."

"To provide quality, cost effective and aesthetically pleasing door opening and closing solution to architects, interior designers, contractors, joineries and builders"

## Core Values

- Integrity
- Excellence
- Reliability
- Perfection
- Consistency







## Training and Development

Training presents a prime opportunity to expand the knowledge base of all employees. Training and development provides both the individual and organisations with different benefits such as improved employee performance, increased employee satisfaction and morale. It addresses the weaknesses of employees, increases productivity, innovation, reduction in employee turn over and overall enhancement of company efficiency and profile.

EuroArt gives utmost importance for staff training and continuous development at work place which enables EuroArt staff who are qualified GAI, AHC and FDAI and FF&E experts to maintain their knowledge of industry standards and regulations.

## Global Network



## Distribution

EuroArt have two large centralized warehouse hub in Blackburn, UK and UAE from where it is able to service its UK and Europe and from UAE, GCC, Middle East and South East Asia customers.

Our logistic centers work together to effectively regulate our internal processes and manage supply chain flow from our factories.

We maintain high stock levels to fit needs of every customer, ensuring the most flexibility, short response and precise delivery terms.



# What's Inside



Hinges & Flap Fittings

13 - 39



Lighting & Popup Sockets

39 - 129



Drawer Systems

130 - 161



Cabinet Locking System

162 - 173



Kitchen Fittings & Accessories

174 - 200



Doors & Wardrobe Sliding System

201 - 225



Furniture Handles & Knobs

226 - 264



Wardrobe Fittings

265 - 289

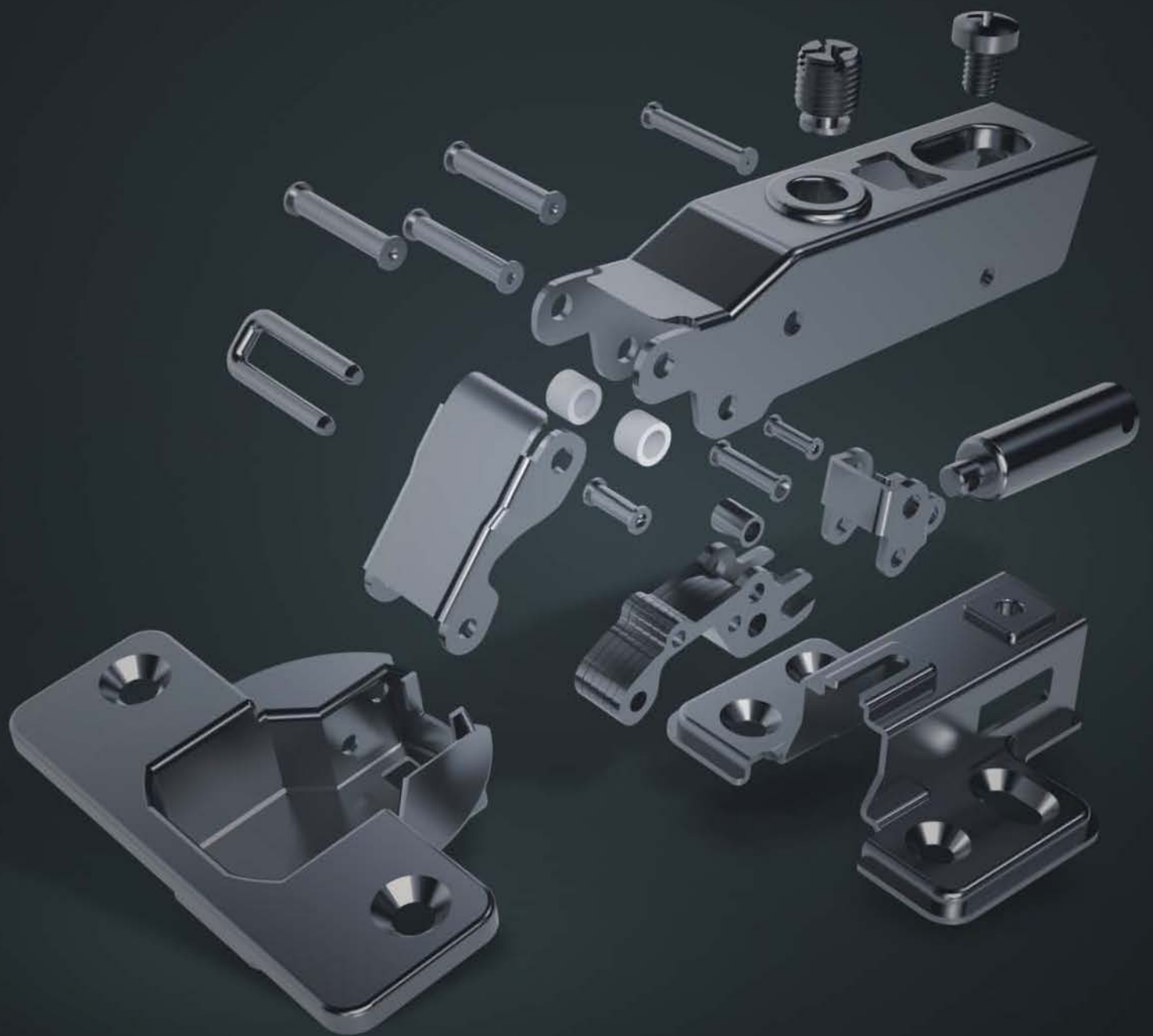


Furniture Accessories

290 - 298



**Furniture Hinges**



# EUROPEAN HINGE

- Smooth movement, easy to open and close, and elegant appearance.
- Multi-function adjustment, easy and quick installation, variety of models, user friendly design.
- Silent system by special integrated damping design.
- Smooth open and soft closing design further extends the product life cycle.
- Setting the global benchmark for kitchen furniture fixture
- EuroArt's experienced R&D team has developed more than 20 series and 150 model of hinge which are being sold in over 50 countries.



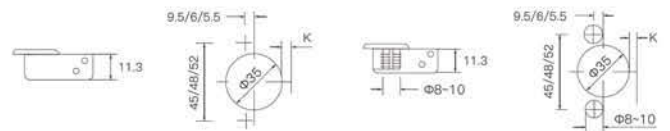
**CLIP - ON**

**Product Description:**

- Opening angle: 110°
- Diameter of hinge cup: 35mm
- Cup depth: 11.5mm
- Drilling dimension on the door: 3~7mm
- Range for door thickness: 16~22mm
- Material: Steel
- Finish: Nickel plated, Titanium Black

**Installation Dimensions:**

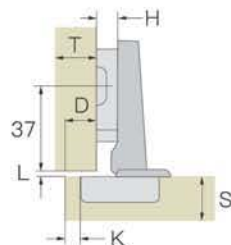
- H= Height of mounting plate
- K= Distance from edge of door to the edge of cup
- D= Required cover distance on the side panel
- A= Gap between door and side panel
- L= Distance from inside edge of door to the outside edge of side panel
- T= Door thickness


**Options of screw and dowels**


Formula and the parameters in the table below can be used for left, right and side adjustment

Figures needed of both - drilling holes "K" on the door and height "H" of the mounting plate to solve

**Full overlay**

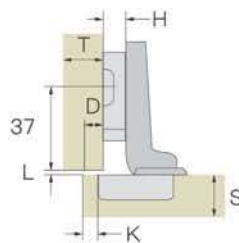
**SCH303525/CP**


$$H=15+K-D$$

**Coverage calculation table**

D \ K	3	4	5	6	7
H					
0	18	19	20	21	22
2	16	17	18	19	20
4	14	15	16	17	18

**Half Overlay**

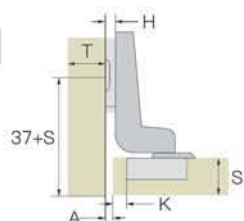
**SCH303526/CP**


$$H=5+K-D$$

**Coverage calculation table**

D \ K	3	4	5	6	7
H					
0	8	9	10	11	12
2	6	7	8	9	10
4	4	5	6	7	8

**Inset**

**SCH303527/CP**


$$H=A+K-3$$

**Coverage calculation table**

A \ K	3	4	5	6	7
H					
0	0	-1	-2	-3	-4
2	2	1	0	-1	-2
4	4	3	2	1	0



SLIDE - ON



**Product Description:**

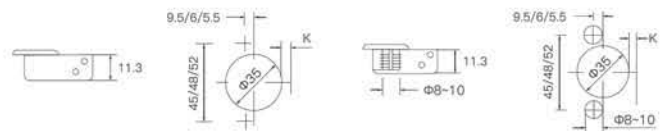
- Opening angle: 110°
- Diameter of hinge cup: 35mm
- Cup depth: 11.5mm
- Drilling dimension on the door: 3~7mm
- Range for door thickness: 16~22mm
- Material: Steel
- Finish: Nickel plated

**Installation Dimensions:**

- H= Height of mounting plate
- K= Distance from edge of door to the edge of cup
- D= Required cover distance on the side panel
- A= Gap between door and side panel
- L= Distance from inside edge of door to the outside edge of side panel
- T= Door thickness

**Options of screw and dowels**

Euro screw 6.4mm Screw no <b>E</b>	M8 dowel 8mm Dowel no <b>D8</b>	M10 dowel 10mm Dowel no <b>D10</b>	Easy dowel 8mm Dowel no <b>DE</b>
---------------------------------------	------------------------------------	---------------------------------------	--------------------------------------



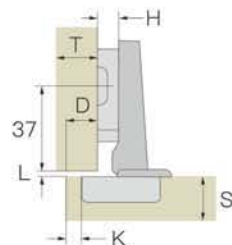
Formula and the parameters in the table below can be used for left, right and side adjustment

Figures needed of both - drilling holes "K" on the door and height "H" of the mounting plate to solve

**Full overlay**



**H311500**



$H=15+K-D$

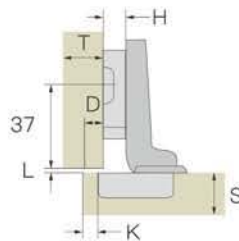
**Coverage calculation table**

D \ K	3	4	5	6	7
0	18	19	20	21	22
2	16	17	18	19	20
4	14	15	16	17	18
6	12	13	14	15	16

**Half Overlay**



**H311501**



$H=6+K-D$

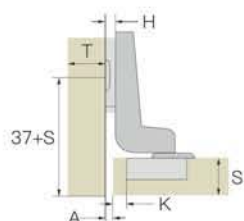
**Coverage calculation table**

D \ K	3	4	5	6	7
0	9	10	11	12	13
2	7	8	9	10	11
4	5	6	7	8	9
6	3	4	5	6	7

**Inset**



**H311502**



$H=A+K-1$

**Coverage calculation table**

A \ K	3	4	5	6	7
0	2	3	4	5	-6
2	0	-1	2	3	-4
4	2	1	0	-1	-2



### Product Description:

SLIDE - ON

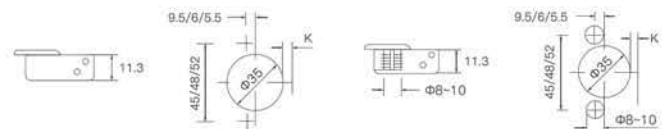
- Opening angle: +30°, +45°, +90°
- Diameter of hinge cup: 35mm
- Cup depth: 11.5mm
- Drilling dimension on the door: 4~7mm
- Range for door thickness: 16~22mm
- Material: Steel
- Finish: Nickel plated

### Installation Dimensions:

- H= Height of mounting plate
- K= Distance from edge of door to the edge of cup
- D= Required cover distance on the side panel
- A= Gap between door and side panel
- L= Distance from inside edge of door to the outside edge of side panel
- T= Door thickness

### Options of screw and dowels

Euro screw 6.4mm Screw no <b>E</b>	M8 dowel 8mm Dowel no <b>D8</b>	M10 dowel 10mm Dowel no <b>D10</b>	Easy dowel 8mm Dowel no <b>DE</b>
---------------------------------------	------------------------------------	---------------------------------------	--------------------------------------



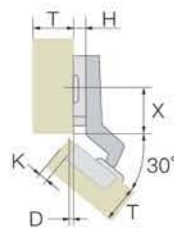
Formula and the parameters in the table below can be used for left, right and side adjustment

Figures needed of both - drilling holes "K" on the door and height "H" of the mounting plate to solve

### 30° Angle



**SCH3933480/30**



H=0  
D=2.5mm

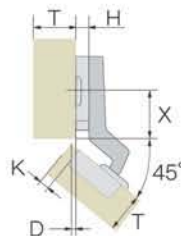
Table of mounting plate drilling holes-position

H \ K	4	5	6	7
0	37 2.5	36 3.4	35 4.3	34 5.2
2	37 0.5	36 1.4	35 2.3	34 3.2
4	37 -1.5	36 -0.6	35 0.3	34 1.2
	X			D

### 45° Angle



**SCH3932480/45**



H=0  
D=4.5mm

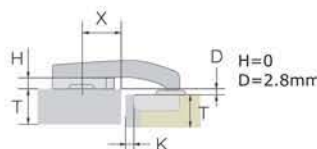
Table of mounting plate drilling holes-position

H \ K	4	5	6	7
0	37 4.5	36 5.4	35 6.3	34 7.2
2	37 2.5	36 3.4	35 4.3	34 5.2
4	37 0.5	36 1.6	35 2.3	34 3.2
	X			D

### 90° Angle



**SCH3931480/90**



H=0  
D=2.8mm

Table of mounting plate drilling holes-position

H \ K	4	5
0	20 2.8	19 2.8
2	20 0.8	19 0.8
4	20 -1.2	19 -1.2
	X	D



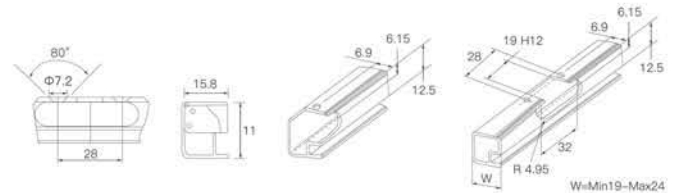
### Product Description:

**CLIP - ON**

- Opening angle: 110°
- Distance between holes on aluminium frame: 28mm
- Width of aluminum frame: 14~24mm
- Material: Steel
- Finish: Nickel plated

### Installation Dimensions:

- H= Height of mounting plate
- D= Required cover distance on the side panel
- A= Gap between door and side panel
- W= Width of aluminum frame



### Options of screw and dowels

Euro screw 6.4mm Screw no <b>E</b>	M8 dowel 8mm Dowel no <b>D8</b>	Easy dowel 8mm Dowel no <b>DE</b>	M10 dowel 10mm Dowel no <b>D10</b>
---------------------------------------	------------------------------------	--------------------------------------	---------------------------------------

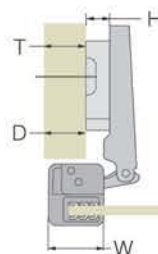
Formula and the parameters in the table below can be used for left, right and side adjustment

Figures needed of both - drilling holes "K" on the door and height "H" of the mounting plate to solve

### Full overlay



**H603128/A**



$$H = W - D - 2$$

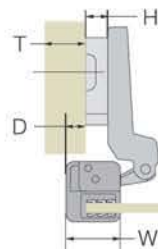
Coverage calculation table

D \ K	19	20	21	22	23
H	19	20	21	22	23
0	17	18	19	20	21
2	15	16	17	18	19
4	13	14	15	16	17

### Half Overlay



**H603228/A**



$$H = W - D - 12$$

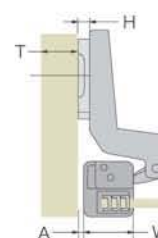
Coverage calculation table

D \ K	19	20	21	22	23
H	19	20	21	22	23
0	7	8	9	10	11
2	5	6	7	8	9
4	3	4	5	6	7

### Inset



**H603328/A**



$$H = W + A - 20$$

Cap calculation table

A \ K	19	20	21	22	23
H	19	20	21	22	23
0	1	0	-1	-2	-3
2	3	2	1	0	-1
4	5	4	3	2	1



**For Small Doors and Narrow Frames**

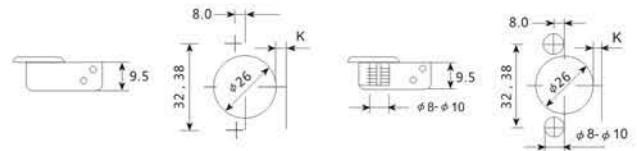
**SLIDE - ON**

**Product Description:**

- Opening Angle: 95°
- Diameter of hinge cup: 26mm
- Height of hinge cup: 9.5mm
- Hole spacing: 32/38mm
- Drilling dimension of the door: 3~6mm
- Door thickness: 12~18mm
- Material: Steel
- Finish: Nickel plated

**Installation Dimensions:**

- H= Height of mounting plate
- K= Distance from edge of door to the edge of cup
- D= Required cover distance on the side panel
- A= Gap between door and side panel
- L= Distance from inside edge of door to the outside edge of side panel
- T= Door thickness



**Options of screw and dowels**

	Euro screw		M8 dowel		M10 dowel		Easy dowel
6.4mm	Screw no E	8mm	Dowel no D8	10mm	Dowel no D10	8mm	Dowel no DE

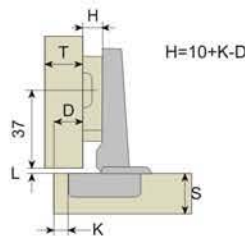
Formula and the parameters in the table below can be used for left, right and side adjustment

Figures needed of both - drilling holes "K" on the door and height "H" of the mounting plate to solve

**Full overlay**



**HM311500**



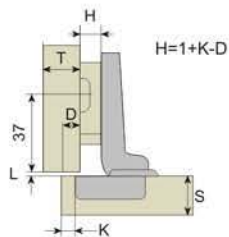
**Coverage calculation table**

D \ K	3	4	5	6
H				
-2	15	16	17	18
0	13	14	15	16
2	11	12	13	14
4	9	10	11	12

**Half Overlay**



**HM311501**



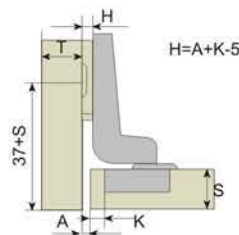
**Coverage calculation table**

D \ K	3	4	5	6
H				
-2	6	7	8	9
0	4	5	6	7
2	2	3	4	5
4	0	1	2	3

**Inset**

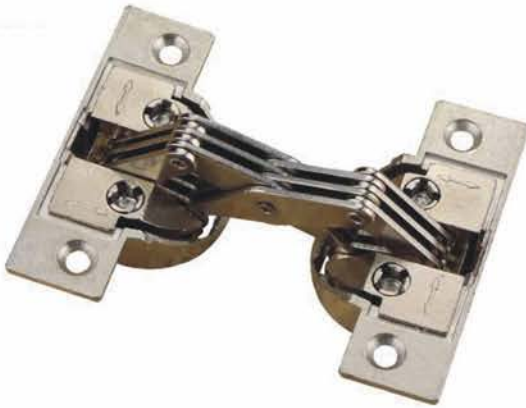


**HM311502**



**Coverage calculation table**

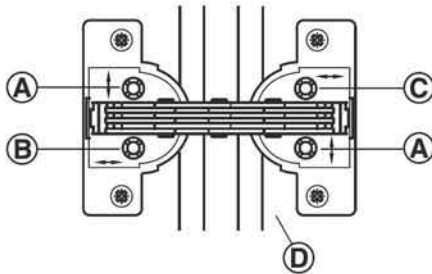
D \ K	3	4	5	6
H				
-2	0	-1	-2	-3
0	2	1	0	-1
2	4	3	2	1
4	6	5	4	3


**GS45**

For 22.5° and 45° mitre applications

**Product Description:**

- For door thickness: 16 – 22 mm
- Side panel thickness: 16 – 20 mm, from 20 mm and above the edge has to be chamfered by 3 mm
- Adjustment facility: 3-dimensional
- Installation: For screw fixing
- Material Cup: Zinc alloy, hinge arm: Steel
- Finish: Nickel plated

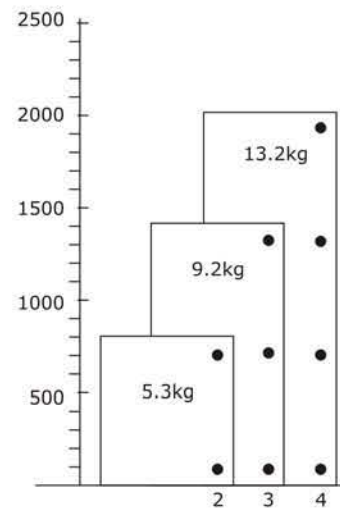
**Adjustment Facility**


- Ⓐ Height
- Ⓑ Side
- Ⓒ Depth
- Ⓓ Side Panel

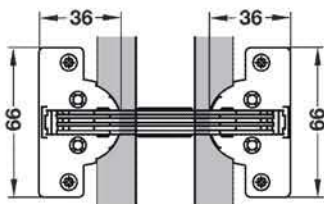
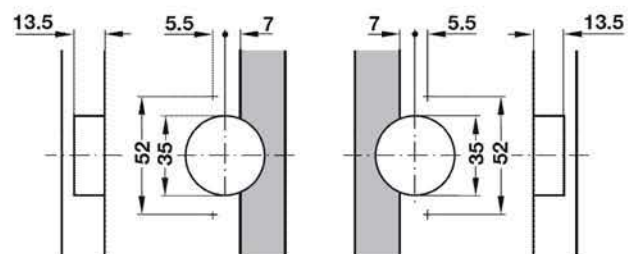
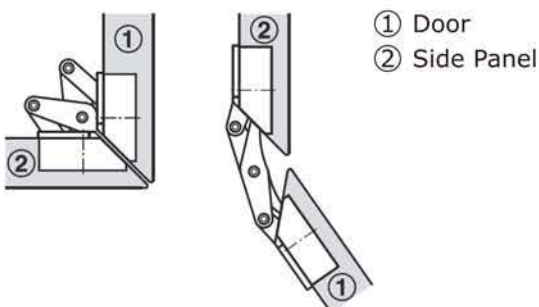
Height adjustment 3mm  
Side and depth adjustment 1.5mm

**Note**

Provided 2mm surroundings door gap

**Number of hinge per door**


- Sample measurements for 19 mm thick wood
- Door width up to 500 mm

**Dimensions**

**Drilling pattern for 45° mitre**

**Mounting**


One - Way



**Product Description:**

- Opening angle: 95°
- Diameter of hinge cup: 26mm
- Drilling dimension of the door: 3~6mm
- Door thickness: 4~6mm
- Material: Steel
- Finish: Nickel plated

**Installation Dimensions:**

- H= Height of mounting plate
- K= Distance from edge of door to the edge of cup
- D= Required cover distance on the side panel
- A= Gap between door and side panel
- L= Distance from inside edge of door to the outside edge of side panel
- T= Door thickness



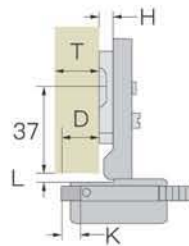
Formula and the parameters in the table below can be used for left, right and side adjustment

Figures needed of both - drilling holes "K" on the door and height "H" of the mounting plate to solve

**Full overlay**



**SCGH21500**



$H=12+K-D$

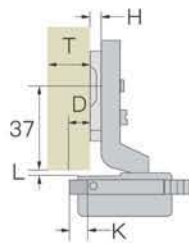
Coverage calculation table

D \ K	3	4	5	6
H				
0	15	16	17	18
2	13	14	15	16
4	11	12	13	14

**Half Overlay**



**SCGH21501**



$H=4+K-D$

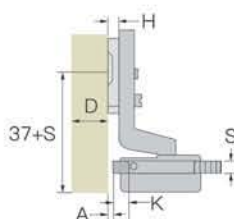
Coverage calculation table

D \ K	3	4	5	6
H				
0	7	8	9	10
2	5	6	7	8
4	3	4	5	6

**Inset**



**SCGH21502**



$H=A+K-3$

Coverage calculation table

A \ K	3	4	5	6
H				
0	0	-1	-2	-3
2	2	1	0	-1
4	4	3	2	1

CLIP - ON

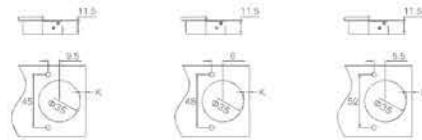


**Product Description:**

- Opening angle: 165°
- Diameter of hinge cup: 35mm
- Cup depth: 11.5mm
- Drilling dimension on the door: 3~7mm
- Range for door thickness: 16~22mm
- Material: Steel
- Finish: Nickel plated

**Installation Dimensions:**

- H= Height of mounting plate
- K= Distance from edge of door to the edge of cup
- D= Required cover distance on the side panel
- A= Gap between door and side panel
- L= Distance from inside edge of door to the outside edge of side panel
- T= Door thickness



Options of screw and dowels



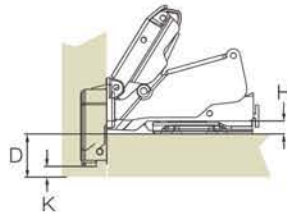
Formula and the parameters in the table below can be used for left, right and side adjustment

Figures needed of both - drilling holes "K" on the door and height "H" of the mounting plate to solve

**Full Overlay**



SCH311165



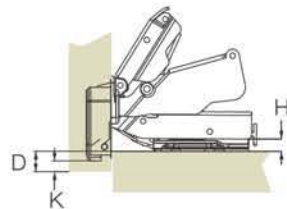
Coverage calculation table

D \ K	3	4	5	6	7
H 0	16	17	18	19	20
H 2	14	15	16	17	18
H 4	12	13	14	15	16

**Half Overlay**



SCH311166



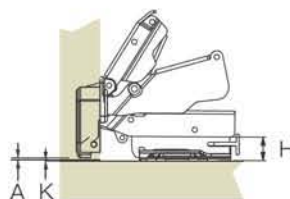
Coverage calculation table

D \ K	3	4	5	6	7
H 0	6	7	8	9	10
H 2	4	5	6	7	8
H 4	2	3	4	5	6

**Inset**



SCH311167



Coverage calculation table

A \ K	3	4	5	6	7
H 0	-2	-3	-4	-5	-6
H 2	0	-1	-2	-3	-4
H 4	2	1	0	-1	-2

SLIDE - ON

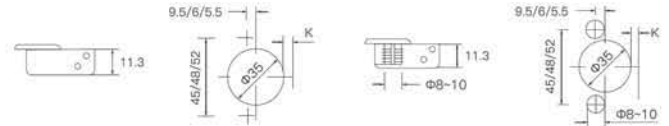


**Product Description:**

- Opening angle: 165°
- Diameter of hinge cup: 35mm
- Cup hole distance: 48mm/52mm
- Dimension of the door: 3~7mm
- Drilling door thickness: 16~26mm
- Material: Steel
- Finish: Nickel plated

**Installation Dimensions:**

- H= Height of mounting plate
- K= Distance from edge of door to the edge of cup
- D= Required cover distance on the side panel
- A= Gap between door and side panel
- L= Distance from inside edge of door to the outside edge of side panel
- T= Door thickness



Options of screw and dowels

Euro screw 6.4mm Screw no <b>E</b>	M8 dowel 8mm Dowel no <b>D8</b>	M10 dowel 10mm Dowel no <b>D10</b>	Easy dowel 8mm Dowel no <b>DE</b>
---------------------------------------	------------------------------------	---------------------------------------	--------------------------------------

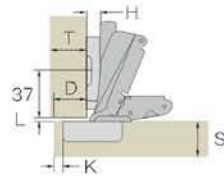
Formula and the parameters in the table below can be used for left, right and side adjustment

Figures needed of both - drilling holes "K" on the door and height "H" of the mounting plate to solve

**Full overlay**



**H312165**



$H=13+K-D$

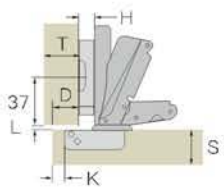
Coverage calculation table

D \ K	3	4	5	6	7	
H	0	16	17	18	19	20
2	14	15	16	17	18	
4	12	13	14	15	16	

**Half Overlay**



**H312166**



$H=4+K-D$

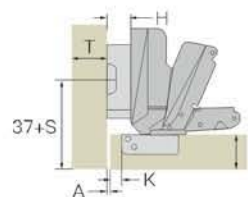
Coverage calculation table

D \ K	3	4	5	6	7	
H	0	7	8	9	10	11
2	5	6	7	8	9	
4	3	4	5	6	7	

**Inset**



**H312167**



$H=A+K-4$

Coverage calculation table

A \ K	3	4	5	6	7	
H	0	1	0	-1	-2	-3
2	3	2	1	0	-1	

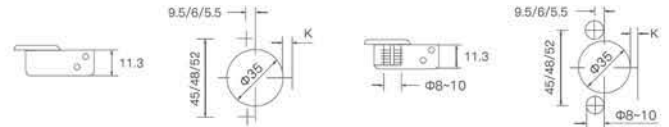


**CLIP - ON**
**Product Description:**

- Clip-on mounting
- Opening angle: 110°
- Thickness of hinge arm: 11.5mm
- Diameter of hinge cup: 35mm
- Door thickness: 16-22mm
- Material: Grade 304 Stainless Steel
- Finish: SSS

**Installation Dimensions:**

- H= Height of mounting plate
- K= Distance from edge of door to the edge of cup
- D= Required cover distance on the side panel
- A= Gap between door and side panel
- L= Distance from inside edge of door to the outside edge of side panel
- T= Door thickness

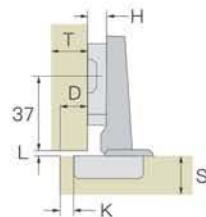

**Options of screw and dowels**

 Euro screw 6.4mm Screw no <b>E</b>	 M8 dowel 8mm Dowel no <b>D8</b>	 M10 dowel 10mm Dowel no <b>D10</b>	 Easy dowel 8mm Dowel no <b>DE</b>
--	--	---	--

Formula and the parameters in the table below can be used for left, right and side adjustment

Figures needed of both - drilling holes "K" on the door and height "H" of the mounting plate to solve

**Full overlay**

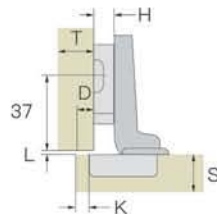
**EAHS-001A**


$$H=15+K-D$$

**Coverage calculation table**

D \ K	3	4	5	6	7	
H	0	18	19	20	21	22

**Half Overlay**

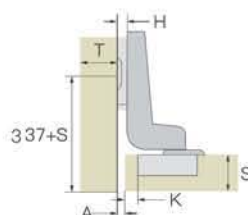
**EAHS-001B**


$$H=5+K-D$$

**Coverage calculation table**

D \ K	3	4	5	6	7	
H	0	8	9	10	11	12

**Inset**

**EAHS-001C**


$$H=A+K-3$$

**Coverage calculation table**

A \ K	3	4	5	6	7	
H	0	0	-1	-2	-3	-4

**CLIP - ON**

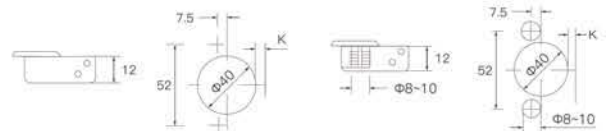


**Product Description:**

- Opening angle: 95°
- Diameter of hinge cup: 40mm
- Cup depth: 13mm
- Drilling distance on the door: 3~13mm
- Door thickness: 18-25mm
- Material: Steel
- Finish: Nickel Plated

**Installation Dimensions:**

- H= Height of mounting plate
- K= Distance from edge of door to the edge of cup
- D= Required cover distance on the side panel
- A= Gap between door and side panel
- L= Distance from inside edge of door to the outside edge of side panel
- T= Door thickness



**Options of screw and dowels**

	M8 dowel Dowel no <b>D8</b>		M10 dowel Dowel no <b>D10</b>
--	--------------------------------	--	----------------------------------

Formula and the parameters in the table below can be used for left, right and side adjustment

Figures needed of both - drilling holes "K" on the door and height "H" of the mounting plate to solve

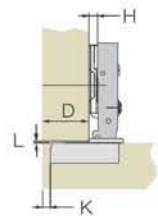
**Coverage calculation table**

D \ K	3	4	5	6	7	8	9	10	11	12	13
0	22	23	24	25	26	27	28	29	30	31	32
2	20	21	22	23	24	25	26	27	28	29	30
4	18	19	20	21	22	23	24	25	26	27	28

**Full overlay**



**SCH40305605**

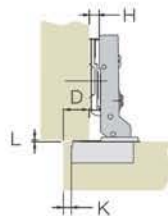


$H=19+K-D$

**Half Overlay**



**SCH40305614**

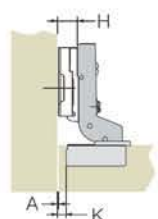


$H=11+K-D$

**Inset**



**SCH40305632**



$H=A+K-4$







**Coverage calculation table**

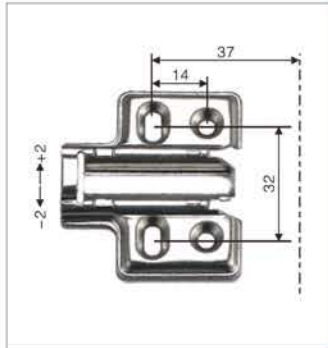
D \ K	3	4	5	6	7	8	9	10	11	12	13
0	14	15	16	17	18	19	20	21	22	23	24
2	12	13	14	15	16	17	18	19	20	21	22
4	10	11	12	13	14	15	16	17	18	19	20

**Coverage calculation table**

A \ K	3	4	5	6	7	8	9	10	11	12	13
0	1	0	-1	-2	-3	-4	-5	-6	-7	-8	-9
2	3	2	1	0	-1	-2	-3	-4	-5	-6	-7
4	5	4	3	2	1	0	-1	-2	-3	-4	-5

**CLICK-ON, WITH CAM MOUNTING PLATES**

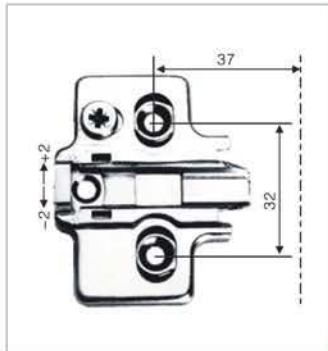
					
Wood Screw	Euro Screw	Preloaded wood screw	5mm Expand dowel	10mm pressure dowel	10mm Expand dowel



<b>H=0</b>	329526/C	-	-	-	-	-
------------	----------	---	---	---	---	---



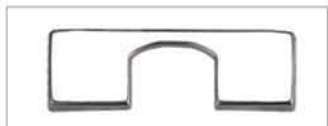
<b>H=0</b>	329529/AF	-	-	-	-	-
------------	-----------	---	---	---	---	---



<b>H=0</b>	329527/G	-	-	-	-	-
------------	----------	---	---	---	---	---



Arm Decorative cover



Cup Decorative cover

**The above parameter suitable for:**

Soft Close Hinge with Cam Click-on  
 Soft Close Hinges without Cam Click-on  
 Non Soft Close Hinge with Slide-on  
 Blind Corner Hinge Soft Close Click-on

Angle Hinge Soft Close with Cam Click-on  
 Aluminium Profile Hinge Soft Close with Cam Click-on  
 Soft Close 165° Hinge with Cam Click-on  
 Profile Door Hinges Soft Close with Cam Click-on

## Demonstration of installation on hinges



### Hinge Series

The features of clamp-on style hinge is with the function of clip-on, inserting the hinge into the base (as it shows on 1), ① then pressing the arm of hinge with your fingertip slightly to hook the base. You can hear a clear click sound (as it shows on 1)-②.



The arm of the hinge can be hooked safe onto the base by 5 supports.

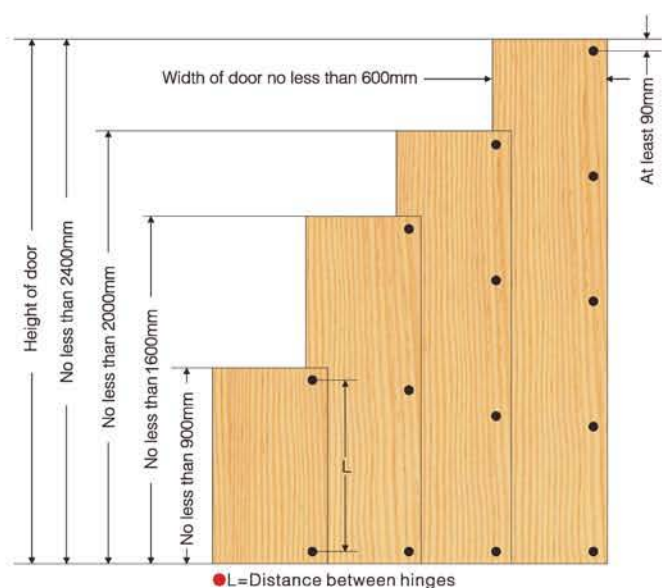
Basically the process of clip-on can be done through hooking the front part into the base from top to bottom, the upper hinge is bearing all the load of the door.



On the contrary, the process of dismantling is done from bottom to top.

Pulling gently the spring pin (as it shows on 3 - ①) to dismantle the hinge.

In the same way, the door can be removed from the front by taking off the arm from the base 3 - ②.

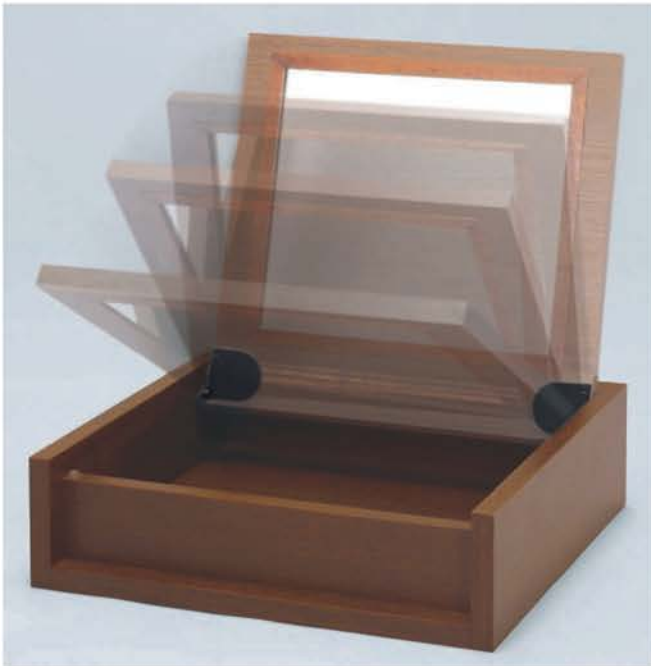


### ◀ The quantities of Hinges

The quantities of hinge for each door depends on the following factors:

- Material quality
- Width & height of the door

Please refer to adjacent chart for further information

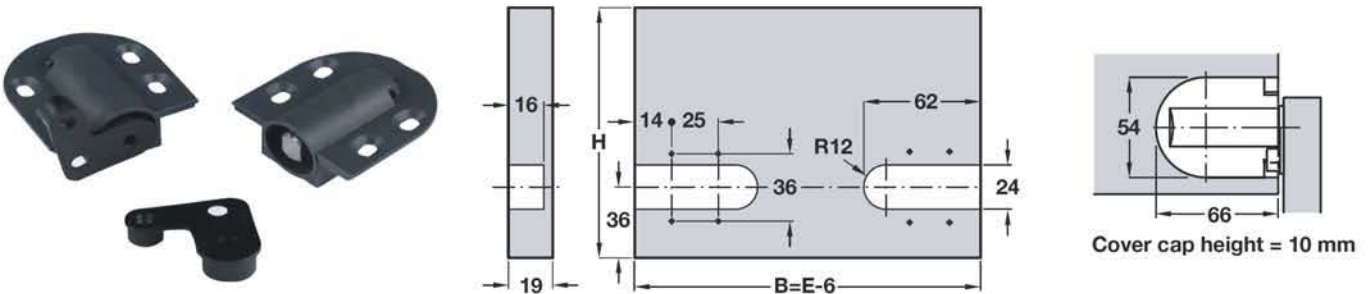
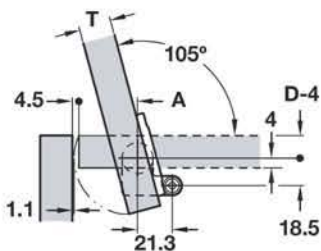
**EA35653**  
 Chest Lid Hinge

**Product Description:**

- Opening angle 105°
- Set consists of:
  - 2x hinges
  - 2x mounting plates
  - 2x cover caps, black

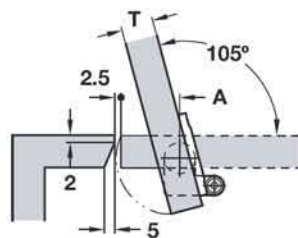
**Installation instructions:**

- For recess mounting
- Plastic hinge and cover cap with stainless steel soft closing mechanism
- Torque per pair 60 - 80 KGF

Finish: Black

**Chest lid hinge, for medium sized lids**

**Application examples**


Standard application

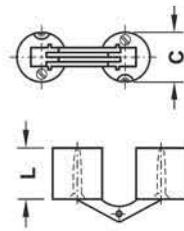


Mounting with face frame

- |                                   |                           |
|-----------------------------------|---------------------------|
| H = lid depth                     | H = 450 mm                |
| B = lid width                     | B = 600 mm                |
| D = lid thickness                 | D = 19 mm                 |
| E = internal chest width          |                           |
| A = from axis to edge of lid      | A = 36 mm                 |
| P = lid density g/cm <sup>3</sup> | P = 0.8 g/cm <sup>3</sup> |
| T = panel thickness               |                           |

 Max Torque =  
 $450/2 (450-2 \times 36) \times 19 \times 600 \times 0.8$

**Concealed Hinge for wood thickness  
14–28 mm**

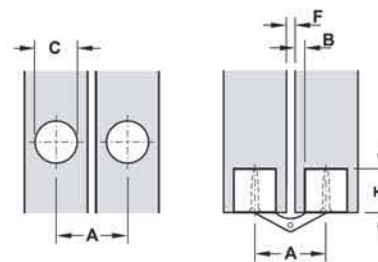


**Product Description:**

- Opening angle: 180°
- Material: Brass
- Finish: Matt
- Mounting: For right and left hand use
- Installation: For screw fixing

**Installation:**

- Position is secured by tightening the tensioning screw
- With extremely heavy loads, each of the cylinders can be secured from the front using a chipboard or wood screw



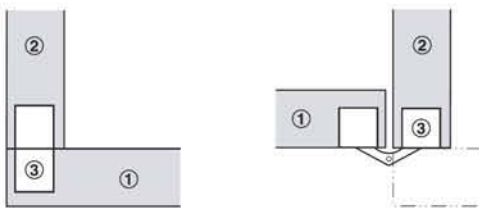
Item no.	For wood thickness
EA510	14-19
EA511	17-22
EA512	20-26
EA513	22-28

**Application and planning dimension**

For wood thickness mm	14-19	17-22	20-26	22-28
Screw Ø mm	2.5	3	3.5	3.5
Length mm	11	13.5	15.5	16.5
Drill bit Ø mm	10	12	14	16
Drilling depth T mm	11	13.5	15.5	16.5
Dim. A mm	16	20	23	25
Dim. B mm	2	2.2	3	3
Gap F mm	2.5	3.5	3	3

**Application**

Mounting example for butting overlay doors

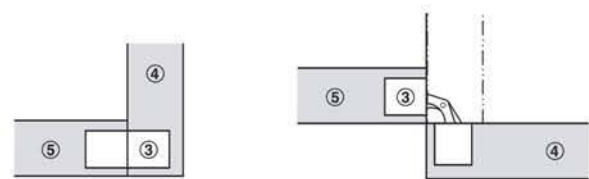


Door Closed

Door Open

①Door ②Side panel ③Hinge

Mounting example for butting overlay Flaps

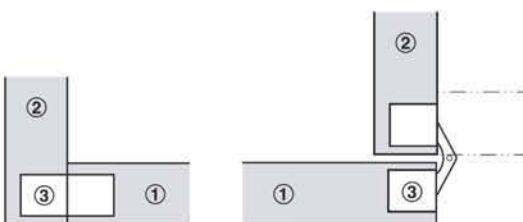


Flap Closed

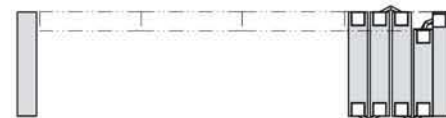
Flap Open

③Hinge ④Flap ⑤Base panel

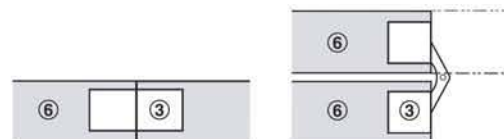
Mounting example for butting inset doors



Example for folding door



Mounting examples for two panels



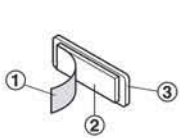
Panel Closed

Panel Open

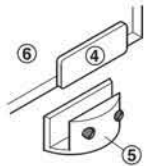
③Hinge ④Flap ⑤Base panel

**Pivot Glass Hinge**

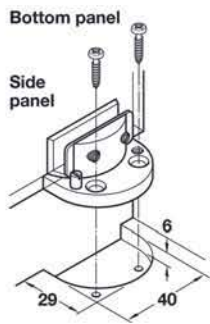
For door mounting without glass drilling



- ① Protective Foil
- ② Adhesive pad
- ③ Pressure plate



- ④ Pressure plate
- ⑤ Rotating element
- ⑥ Glass Door



Supplied with: Pressure plate

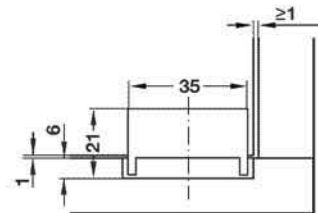
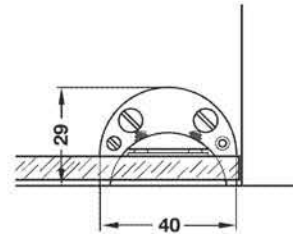
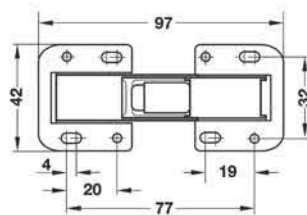
Item no.	Finish
EA9701	Nickle Plated Matt

**Features:**

- Opening angle: 95°
- Area of application: For inset glass doors
- Material: Zinc alloy
- Installation: For screw fixing to base/top panel, for direct fixing to glass door
- For glass thickness: 6 mm
- For door width: max. 350 mm
- For door height: max. 800 mm

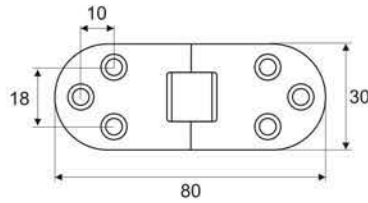
**Fixing to glass door:**

- Peel off the protective foil
- Stick pressure plate in required position
- Press-fit rotating element
- Adjust glass door
- Tighten screw


**Hydraulic Easy Mount Hinge**

**Features:**

- Opening angle: 90°
- Material: Steel
- Screw-mounted
- Side panel thickness from 16 to 22mm

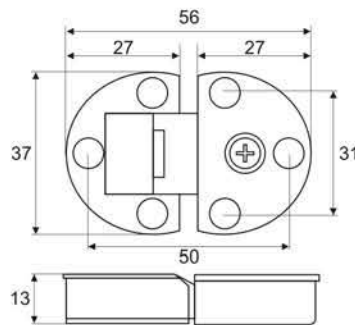
Item no.	Finish
EA9603	Nickle Plated Matt

**Round Flap Hinge**

**Features:**

- Opening angle: 180°
- Material: Zamak

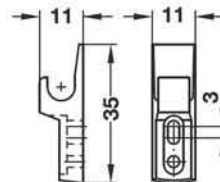
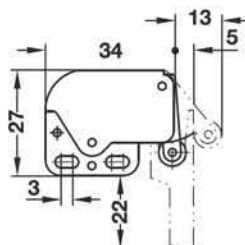


Item no.	Finish
EA01001	Chrome
EA01002	Brass

**Flap Hinge**

**Features:**

- Cup Diameter: 35mm
- Cup Depth: 13mm
- Material: Zamak

Item no.	Finish
EAR730	Nickle Plated Matt

**Mini Latch Spring Catch**

**Material:**

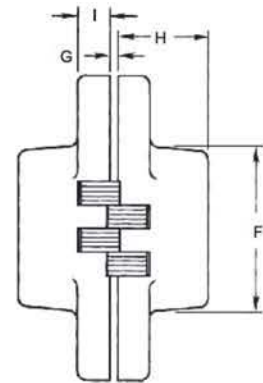
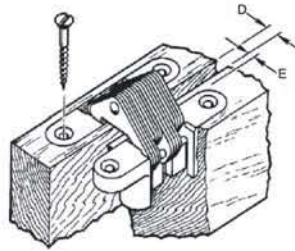
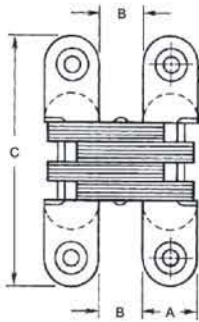
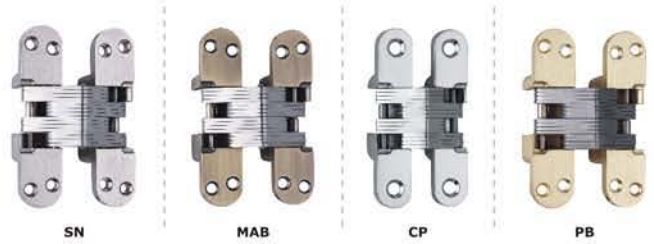
- Catch: Steel
- Counter piece: Plastic

Item no.	Finish
EAM701	Nickle Plated Matt




**Features:**

- Zinc alloy body, hardened steel pins
- Totally invisible when door is closed
- Non-handed
- Suitable for timber and metal doors



Product Code	Size Thickness	Min door Thickness	Weight Rated	E Dimension from door edge	A Hinge width	C Hinge length	I Plate depth	H Mortise Depth	F Mortise length
BH1345	13 x 45mm	19mm	10kgs	3.20mm	12.40mm	45mm	4.70mm	18.20mm	18.30mm
BH1360	13 x 60mm	19mm	14kgs	3.20mm	12.70mm	60mm	5.20mm	17.80mm	29.90mm
BH1670	16 x 70mm	22mm	25kgs	4.00mm	15.70mm	70mm	7.00mm	22.80mm	33.30mm
BH1995	19 x 95mm	28mm	35kgs	4.80mm	18.40mm	95mm	8.30mm	26.40mm	49.80mm
BH25117	25 x 117mm	35mm	45kgs	6.40mm	24.70mm	117mm	11.00mm	36.60mm	62.70mm
BH28117	28 x 117mm	41mm	55kgs	6.40mm	27.80mm	117mm	9.00mm	41.00mm	60.40mm
BH33139	33 x 139mm	47mm	70kgs	7.50mm	33.60mm	139mm	11.10mm	49.29mm	73.30mm

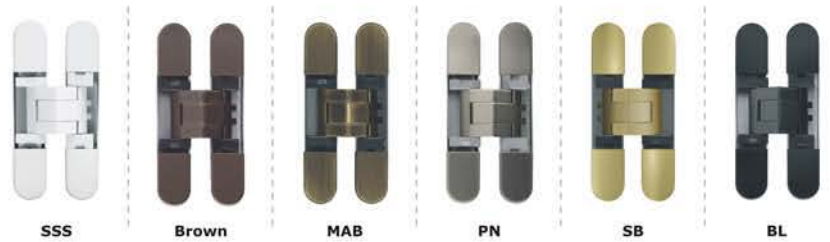


EAH929

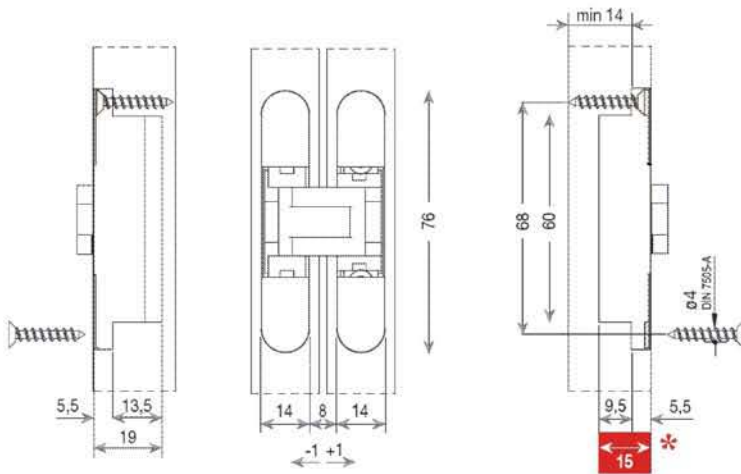


**Features:**

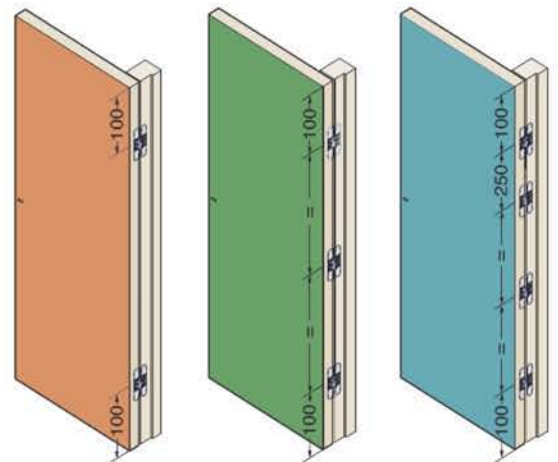
- 3D hinge for cabinet, adjustable with one simple tool
- Manufactured in zamak and fiberglass in 4 different finishes
- Suitable for doors of 18mm min. thickness
- Mini-invasive: only 15mm deep
- The strongest on its segment: load capacity upto 16Kg tested on doors 1200x600mm



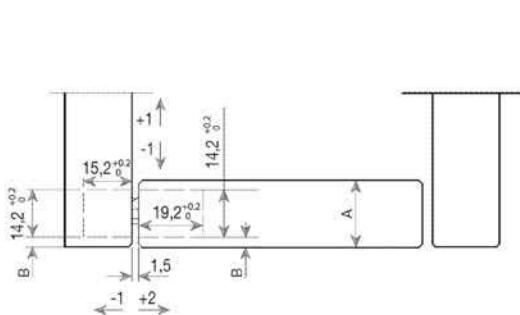
Finish: Silver



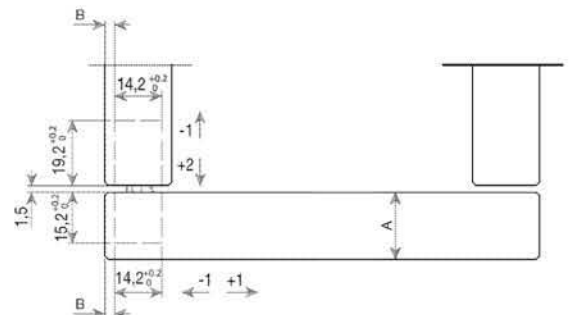
Small drilling depth



Door height mm



Cabinet cross-section with door inside the box



Cabinet cross-section with door outside the box



## ■ Flap Stay Lift





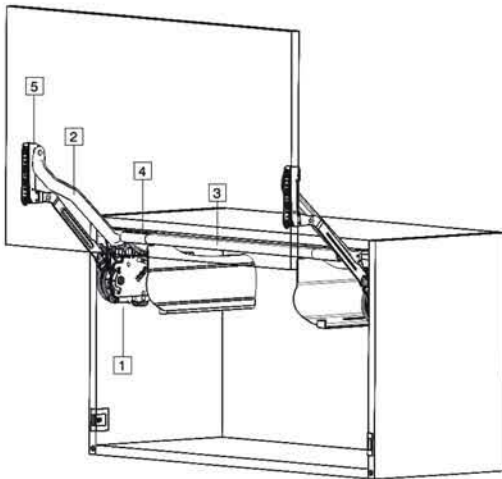
## Manual Parallel Lift

### Features:

- Easy installation and adjustment
- 3D door adjustment
- Moment of force is adjustable according to door weight
- Cabinet height ranges from 450mm to 580mm
- Cabinet width ranges from 400mm to 1200mm
- Minimum interior cabinet depth: 300mm
- Anti-pinch function stop close when the door meet strong resistance

### Consisting items:

1. Door weight and balanced mechanism
2. Swing arm
3. Oval stabilizer rod
4. Oval stabilizer rod connecter
5. Arm assembly mounting plate



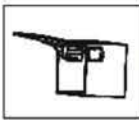
Power Factor	Item no.	Loading Capacity	Set/Pair
1500 - 3000N	EAFE01-H-A	3-6 kg	1
2500 - 5000N	EAFE01-H-B	5-9 kg	1



### Manual

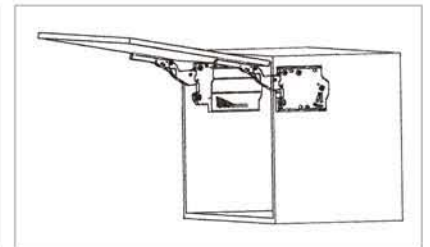
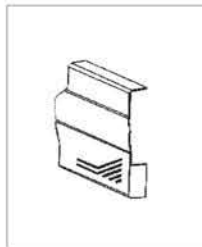
**Features:**

- Soft and silent close
- Easy installation and adjustment
- Moment of force is adjustable according to door weight
- Door stay in desired position from 25°-100°
- Cabinet height ranges from 300mm to 600mm
- Cabinet width ranges from 380mm to 1800mm
- Minimum interior cabinet depth: 261mm



Individually Packed

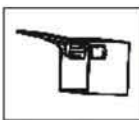
Power Factor	Item Code	Loading Capacity	Set/ctn
1000-3000N	EAFH01-H-A	3-6 kg	1
3000-6000N	EAFH01-H-B	6-9 kg	1
6000-9000N	EAFH01-H-C	9-12 kg	1



### Push to Open

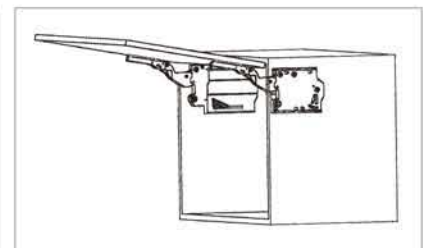
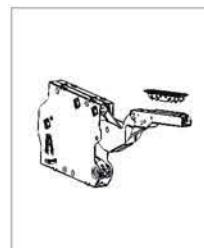
**Features:**

- Push the door slightly to open it
- Easy installation and adjustment
- Moment of force is adjustable according to door weight
- Door stay in desired position from 25°-100°
- Cabinet high ranges from 300mm to 600mm
- Cabinet width ranges from 380mm to 1800mm
- Minimum interior cabinet depth: 261mm



Individually Packed

Power Factor	Item Code	Loading Capacity	Set/ctn
1000-9000N	EAFH01-H-A	3-10 kg	1



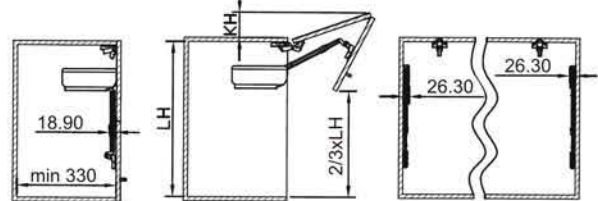


## Bi-Fold Top Stay

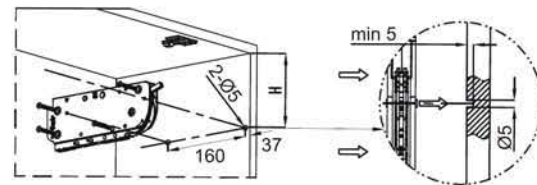
### Features:

- Staying angle in any position between 45°~120°
- Door weight (including the handle weight): 7-10 kg
- 3 Dimension fine tuning: Up & down, left & right, forward & backward ± 2.0mm
- Cabinet height: 600~1040mm
- Cabinet width: Below 1200mm
- Minimum interior cabinet depth: 300mm

### Space reserved for installing



### Positioning hole



8 x Wood screws Ø4x35mm

### Individually Packed

Item Code	Loading Capacity	Set/ctn
EAFL01-H-A	7-10 Kg	1



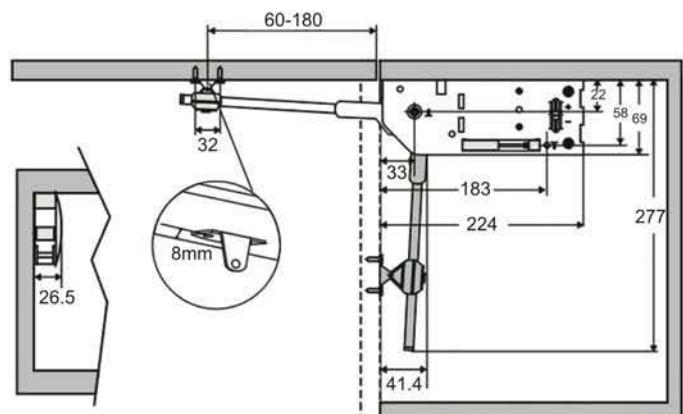
## Manual Top Stay

### Features:

- Lapcon stay for upward-opening flap doors
- Lift-assist mechanism for extra light opening
- Door stays in any desired position
- Damper equipped for soft & silent closing at the end
- Slim design and installed location maximizes space inside of cabinet
- Simple installation by aligning body to edge of cabinet
- Recognized by LGA for 40,000 cycles
- Single or pair use allows wide range of door size/weight
- 3 functions on 1 stay - lift-assist, free stop, soft close

### Individually Packed

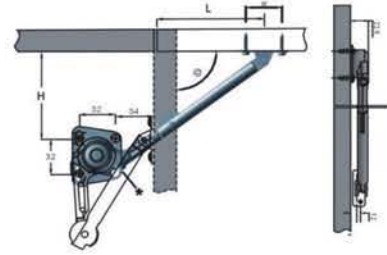
Item Code	Loading Capacity	Set/ctn
EAYA-127A	4 Kg	1



**EAYA101**


@	H	L
75°	80	116
90°	80	96
110°	80	86

Installation illustration

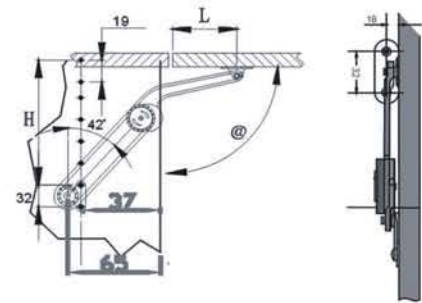


Finish: Nickel Plated

**EASB005**


@	H	L
75°	205	198
90°	180	176
110°	180	128

Installation illustration

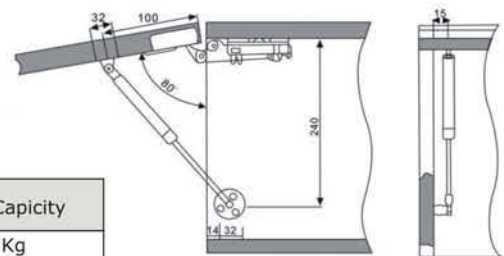


Finish: Nickel Plated

**Flap Stay & Gas Lift**


Item no.	Spring Force	Loading Capacity
EASB006-100N	100	4-6 Kg
EASB006-120N	120	4-6 Kg
EASB006-150N	150	4-6 Kg

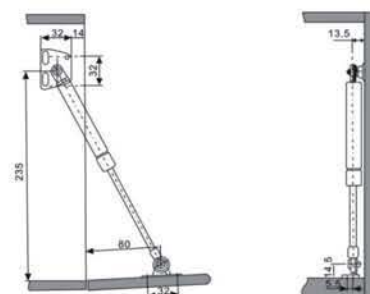
Installation illustration



Finish: Nickel Plated

**EASB007**


Installation illustration



Finish: Nickel Plated



 Lighting & Popup Socket



## THE ABC: OF LIGHTING TECHNOLOGY.

LED's (Light Emitting Diodes) can vary the properties of the light that is generated, and generate almost the entire colour spectrum. Unlike normal light bulbs and halogen lamps, LED's generate little heat. They use less energy and have a long service life.

### ADVANTAGES OF LED'S

#### Long lasting

LED lights have an extremely long service life of up to 25 years or more than 40,000 to 50,000 hours.

#### Robust

LED's have an extremely small and robust design. This makes handling easier during furniture construction and transport.

#### Low heat generation

Because of their extremely low power consumption, LED lights generate hardly any heat. This means that LED lighting systems are particularly suitable for displays and furniture.

#### Energy-saving

LED lights use an impressive 90 percent less power than conventional light bulbs! This means that they can be used to implement modern lighting scenarios in furniture, and still be in line with the energy saving trend.

#### Powerful

Modern LED lights are bright and have a saturated light colour. They achieve full brightness instantly when they are switched on. LED furniture lighting therefore has a lasting effect at the push of a button.

#### Rich in variants

LED lights are available in different colours, and can be designed as colour changing lights. This allows the light colour to be coordinated with furniture contents such as exhibits in the best possible way.

## LED technology



#### Spoiled for choice in the 12 V system

The LED lights are voltage-controlled and connected in parallel in the 12 V system. The plugs on the driver can be freely allocated. 12 V lights are the most widespread at present.



#### Powerful 24 V system

Technically speaking, the 24 V system is identical to the 12 V system, but has a considerably higher power level. 24 V lights can therefore be used when extremely bright lights are required.



#### Spotlights in the 350 mA system



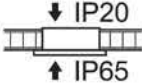

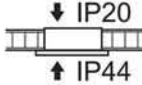








The LED lights in the 350 mA system are current-controlled and connected in series. This means that each plug has to be either occupied or bypassed. 350 mA lights provide extremely high light power and are particularly suitable for spotlighting.

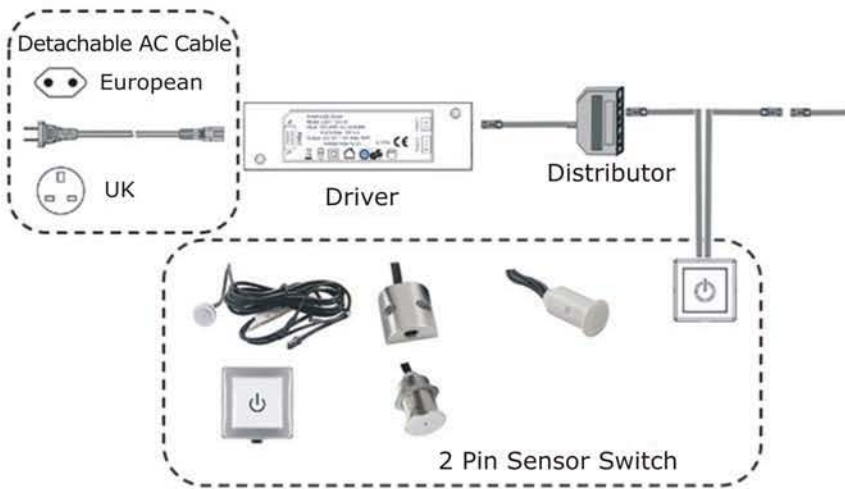
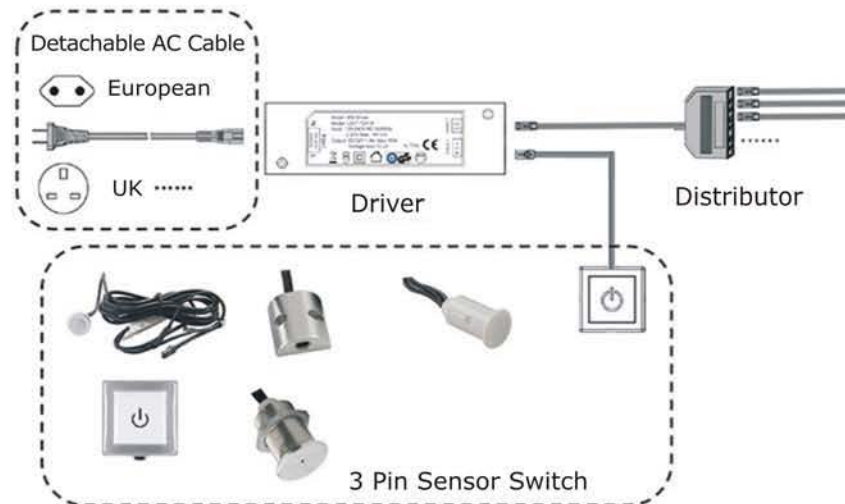
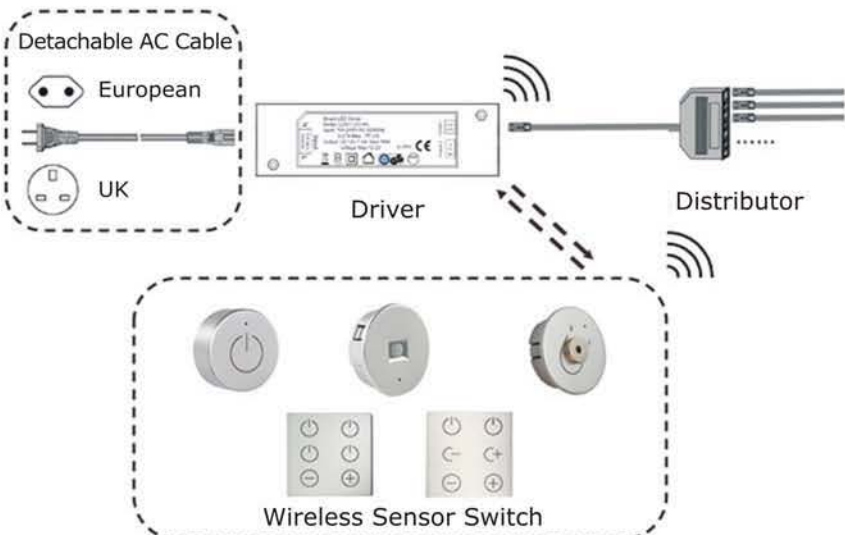


#### Spotlights in the 700 mA system

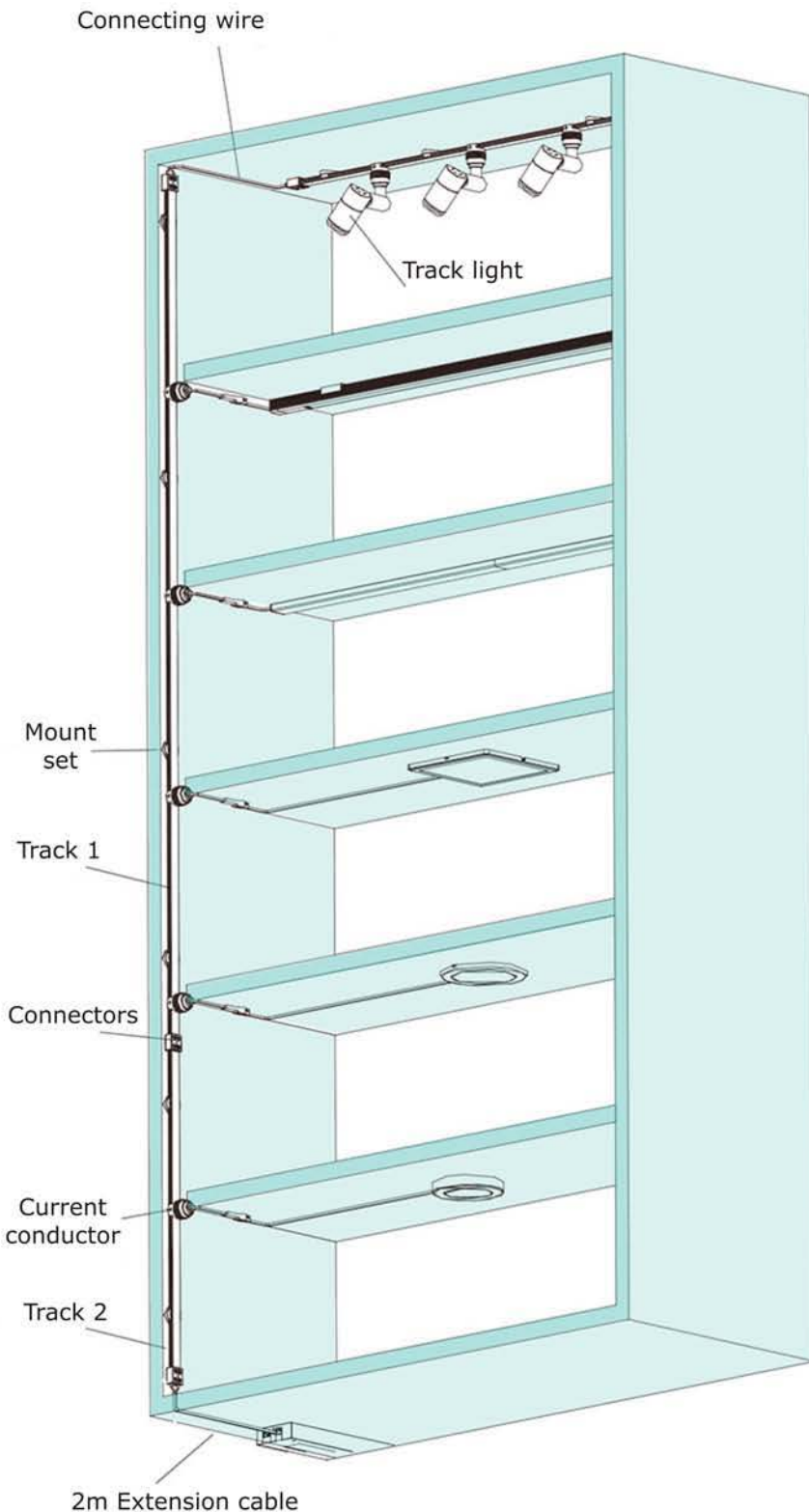
700 mA system is the same as 350 mA system. The LED lights in the 700 mA system are current-controlled and connected in series. Hence in the same way the plugs are to be preoccupied or bypassed. The 700 mA lights are high powered and suitable for spot lighting.










# SYMBOLS AND TERMS

	Technical Control Board	 Water Tolerant	Water Tolerant
<b>RoHS</b>	Restriction of Hazardous Substances		IP65 after installation
	Electrical Testing Labs (CAN/USA)		IP44 after installation
	Furniture installation symbol		European Safety Standard
	Suitable for directly mounting to standard inflammable surfaces	IP20	Only for use in dry locations
	Motion detector	IP44	Protected against solid foreign objects Ø1 mm and larger and splash water
	Dimmable	IP65	Protected from water jets by a nozzle 6.3 mm (1/4") from any angle
	Do not use components that impede thermal radiation	IP67	Protected for the under water
	Lights to be used indoors only. Not to be used outdoors!		Protection class 3

**1. EuroArt 2 pin controller lighting solution**

**2. EuroArt 3 pin controller lighting solution**

**3. EuroArt smart wireless controller lighting solution**


**Features:** The rail system loads A current, with simple and artistic wiring, no voltage drop at the joint, and all lights in uniform luminance.



Items	Picture	Description
EATR001	 Track Light	1.5W multi-angle adjustable mini track light
EATR002	 Track 1 *1  Mount set *3	Track 1: 1m Transparent PC + Copper Track Mount set: Transparent PC
EATR003	 Track 2 *1  Mount set *2	Track 2: 0.5mm
EATR004	 Connecting wire *1	Connecting wire: 0.5mm
EATR005	 Connector *1	
EATR006	 Current conductor *1	Conduction of electricity to lights
EATR007	 2m Extension cable *1	Connecting track and driver

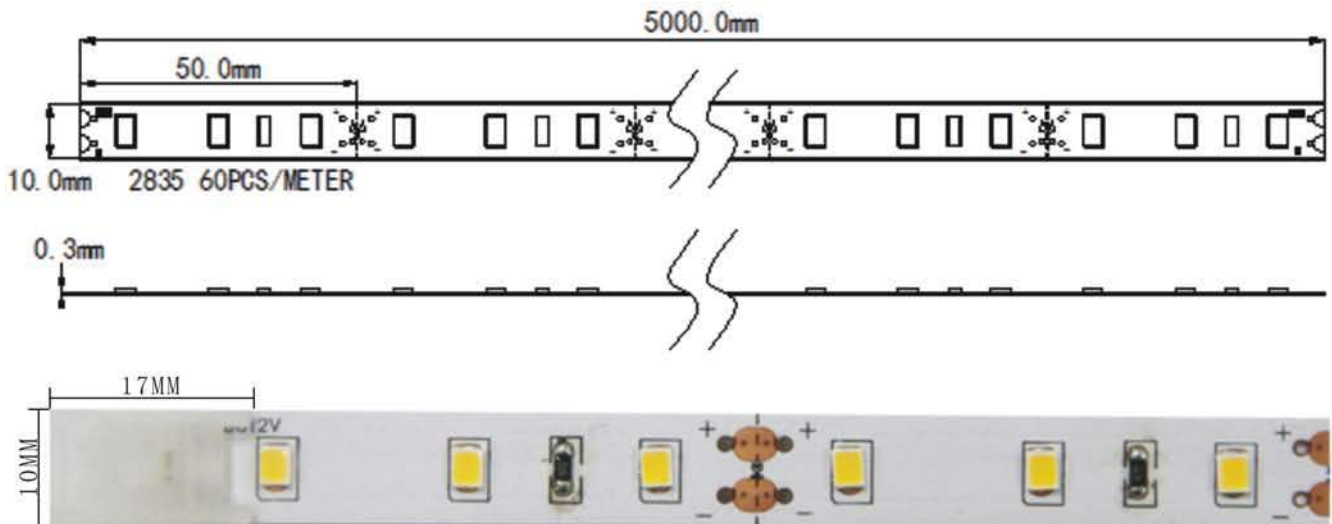
**SMD2835 LED Flexible Strip Light**  
**EAFS25-60pcs**

**Features:**

- SMD 2835 300/ 600PCS /roll(5000x10x0.3mm)
- DC 12/24V input,0.2W/PC 2835 chip  
3-LED cuttable for DC12V,6-LED cuttable for 24V
- Easy to install with 3M adhesive on back
- Dimmer driver can be matched
- Operating temperature:-20°C+45°C
- Auto-SMT machine for soldering
- Long operation life: 50,000 hrs
- Durable structure & stable performance
- ETL/CE/ROHS compatible
- Easy and seamless connect each section with exclusive clip,match well with narrow aluminum profile


**Specification:**

Voltage	K(CCT)(+/-3%)	Color	LEDs/M	W/M	LM/M	IP	W(mm)	H(mm)	L(mm)
12V	3000k	Warm	60	12	1320	IP20/44/67	10	0.3	500-5000
12V	4000k	Cool/Wht	60	12	1320	IP20/44/67	10	0.3	500-5000
12V	6000k	Day Light	60	12	1320	IP20/44/67	10	0.3	500-5000


**Applications:**

Architectural decorative lighting / Stairway lighting & decoration / Shop-window decoration / Indoor decoration / Emergency & security lighting / Walkway lighting

**Accessory:**

Product Name	Item No	Photo
LED lead cable	EACC29	
Connector	EACC30	

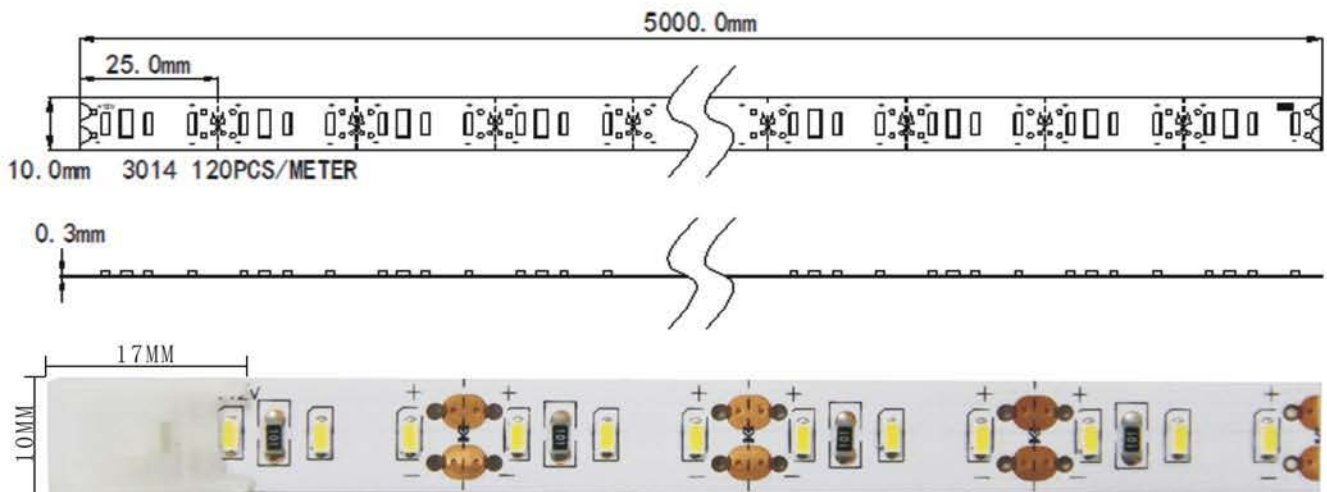
**SMD3014 LED Flexible Strip Light**  
**EAFS27-120**

**Features:**

- SMD 3014 300PCS or 600PCS/roll(5000x10x0.3mm)
- DC 12/24V input,0.2W/PC 3014 chip  
3-LED cuttable for DC12V, 6-LED cuttable for 24V
- Easy to install with 3M adhesive on back
- Dimmer & driver can be matched
- Operating temperature:-20°C+45°C
- Auto-SMT machine for soldering
- Long operation life: 50,000 hrs
- Durable structure & stable performance
- CE/ROHS compatible
- Easy and seamless connect each section with exclusive clip, match well with narrow aluminum profile


**Specification:**

Voltage	K(CCT)(+/-3%)	Color	LEDs/M	W/M	LM/M	IP	W(mm)	H(mm)	L(mm)
12V	3000k	Warm	60	12	1320	IP20/44/67	10	0.3	500-5000
12V	4000k	Cool/Wht	60	12	1320	IP20/44/67	10	0.3	500-5000
12V	6000k	Day Light	60	12	1320	IP20/44/67	10	0.3	500-5000


**Applications:**

Architectural decorative lighting / Stairway lighting & decoration / Shop-window decoration / Indoor decoration / Emergency & security lighting / Walkway lighting

**NOTES:**

The tolerance for the above data is within+/-10%  
 The waterproof version is available

**Accessory:**

Product Name	Item No	Photo
LED lead cable	EACC29	
Connector	EACC30	

**SMD 3014 Mini IP44 LED Strip Light  
EAFS01**

**Features:**

- IP 44 Flexible LED Strips(36pcs/M 3014 chips)
- Can be cut or connected together with interconnecting cables to produce interesting creative lighting effects
- Up to 3 extension strips can be added to the connector
- Length:300mmx8mm (12pcs 3014,DC12V 1.2W)  
Length:2000mmx8mm (72pcs 3014,DC12V 7.2W)


**Specification:**

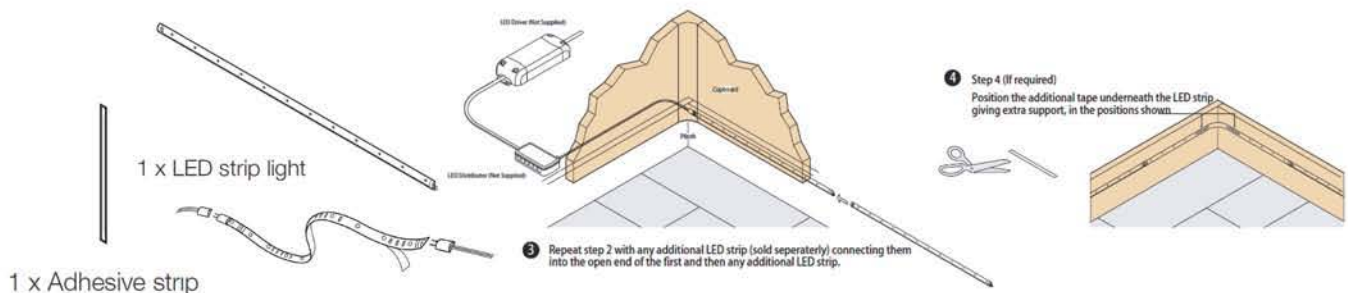
Item NO	Voltage	K(CCT) (+/-3%)	Color	LEDs/M	Lm/W	W/M	LM/M	IP	W(mm)	H(mm)	L(mm)
FS01122W2X	12	3000K	Warm	36	88	3.6	320	IP 44	8	3	330/1000/ 2000
FS01122N2X	12	4000K	Cool/Wht	36	90	3.6	330	IP 44	8	3	330/1000/ 2000
FS01122C2X	12	6000K	Day Light	36	91	3.6	340	IP 44	8	3	330/1000/ 2000

**Technical Operatic Characters TA=25°C**
**Applications:**

Architectural decorative lighting / Stairway lighting & decoration / Shop-window decoration / Indoor decoration Kitchen & Cabinet lighting


**Accessory:**

Product Name	Item No	Photo
LED lead cable	EACC20	



LED Slim Connected Bar Light



EAHS07



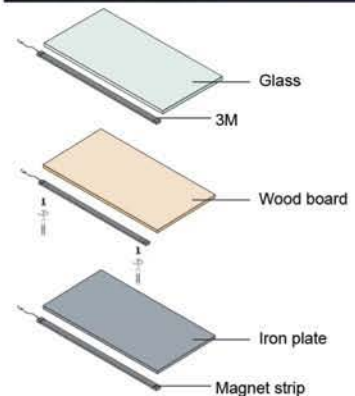
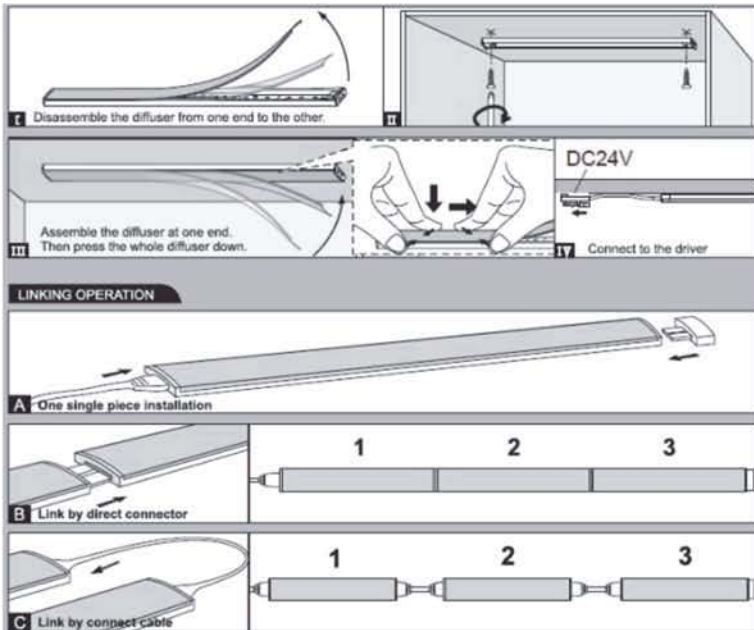
Features:

- High quality aluminium anodized house
- With High bright PC Cover
- Fix with Screw and surface mounted version
- 60pcs/M 5630 Chips  
DC12V, different window and different wattage is available
- Less Heating, no UV, energy saving, long life

Specification:

LED Color	Power Input	Wattage per M	Lum per W	CRI
3000K/4000K/6000K	DC12V	12W	70-100lum	≥90

If input AC100-240V, need to add external LED driver(LD38/LD39)



Connector and End Cap

Product Name	Item No	Photo
Connectors	EAHS07A	
End Cap	EAHS07B	

- 1.HS07A can connect two HS07 and extend the Bar lamp
- 2.HS07B can mount at the end of one side lamp

Applications:

Design for cabinet / Showcase / Shop area illumination

Accessory

LED driver, cable and connector



**LED Multi-white Ribbon 12V with 2\*120 LEDs/m**

EAFS17



**Features:**

- High lumen, high CRI and good color consistency
- Better flexibility rolled copper foil for FPC
- Can load more current with thicker FPC
- Applicable to EuroArt plug, can easily be cut and installed

**Application:**

- Designed for kitchen, living room, bathroom, ambient lighting

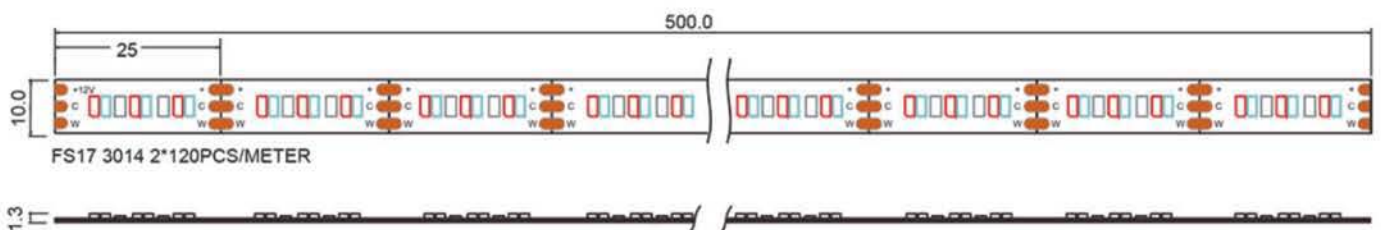


**Specification:**

Size(mm)	LED Chip	Input	Power	CCT	Lum/m	IP
500x5000x10	2x120pcs/m 3014	DC12V	2.6W	2700k-5000k	1200Lm	IP20,44,67



**EATS02-B**  
CCT Controller



LED Strip Light 12V with 60(120) LEDs/m

EAFS25

EASF31



**Features:**

- High lumen, high CRI and good color consistency
- Better flexibility rolled copper foil for FPC
- Can load more current with thicker FPC
- Easy installation with fast connecting EuroArt System

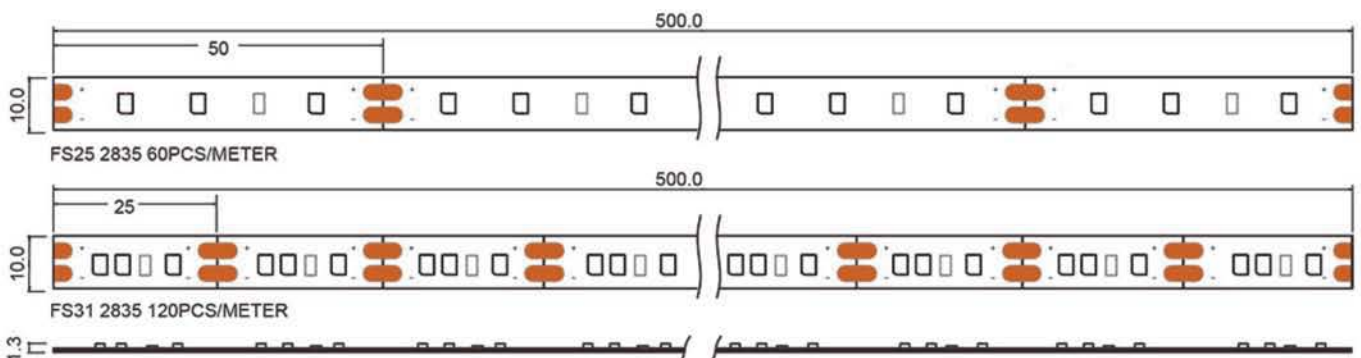
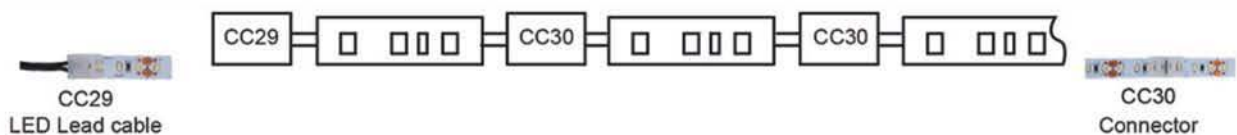
**Application:**

- Designed for illumination of ceiling, wall decoration and cabinet



**Specification:**

Item no.	Size	LED Chip	Input	Power	CCT	Lum/m	IP
EAFS25	500-5000x10	60pcs/m 2835	DC12V	12W/m	3000k 4000k 6500k	1200Lm	IP20,44,67
EASF31	500-5000x10	60pcs/m 2835		18W/m		1120Lm	



**LED Flexible Strip Light 12V with 240 LEDs/m**  
EAFS51



**Features:**

- High lumen, high CRI and good color consistency
- Better flexibility rolled copper foil for FPC
- Can load more current with thicker FPC
- Easy installation with fast connecting EuroArt System

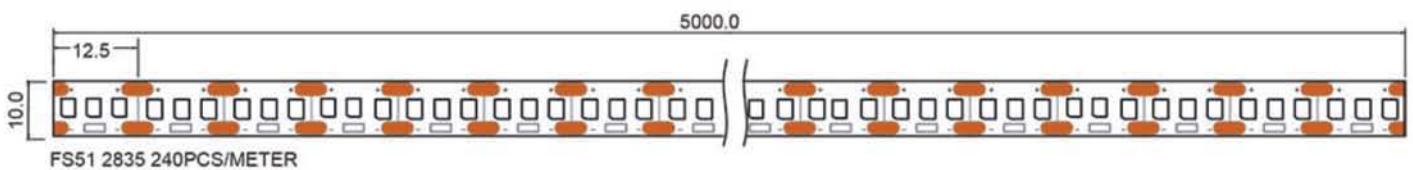
**Application:**

- Designed for illumination of architecture, decoration, staircase, cabinet, safety showcase



**Specification:**

Size	LED Chip	Input	Power	CCT	Lum/m	IP
500-5000x10	240pcs/m 2835	DC12V	18W/m	3000k 4000k 6500k	1850Lm	IP20,44,67





**LED Flexible Strip Light with constant Current IC**  
EAFS55 / EAFS56



**Features:**

- High lumen, high CRI and good color consistency
- Better flexibility rolled copper foil for FPC
- Can load more current with thicker FPC
- Easy installation with fast connecting EuroArt System

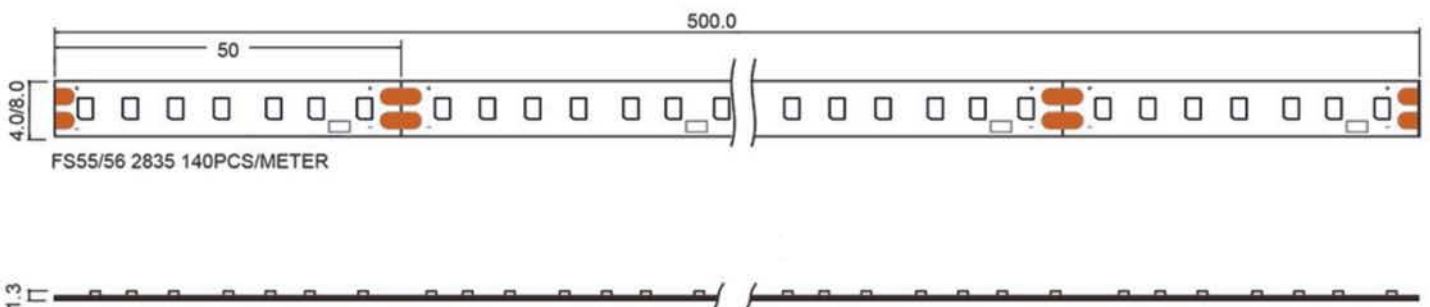
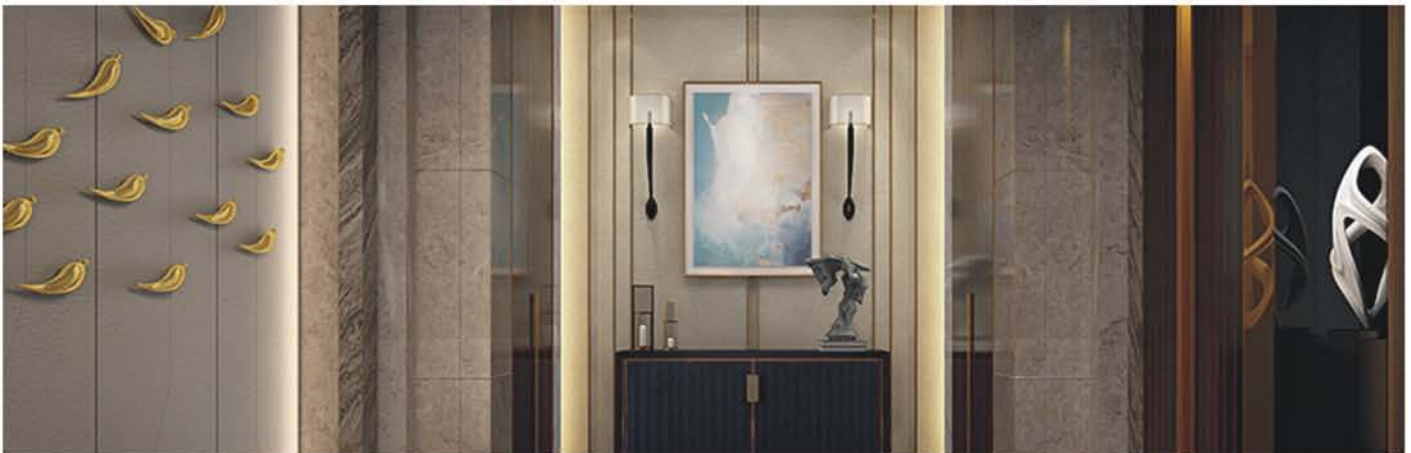
**Application:**

- Designed for illumination of architecture, decoration, staircase, cabinet, safety showcase



**Specification:**

Item no.	Size (mm)	LED Chip	Current	Input	Power	CCT	Lum/m	IP
EAFS55	500-5000x8	140pcs/m 2835	20/30/ 40mA	DC24V	10/14/ 19W/m	3000k 4000k 6500k	960/1400/ 1800Lm	IP20,44,67
EAFS56	500-5000x4							



**SMD Double 2835 LED Flexible Strip Light**  
**EAFS57**

**Features:**

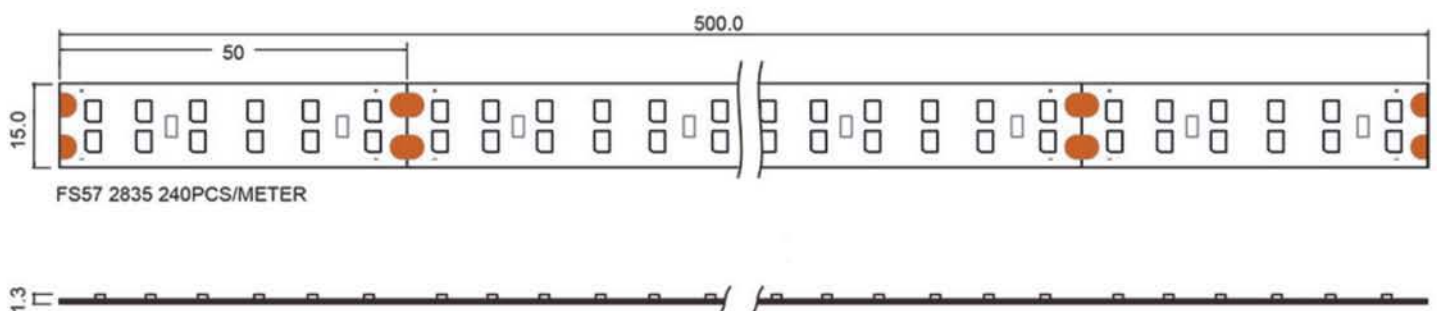
- High lumen, high CRI and good color consistency
- Better flexibility rolled copper foil for FPC
- Can load more current with thicker FPC
- Easy installation with fast connecting EuroArt System

**Application:**

- Designed for illumination of architecture decoration, staircase, cabinet, safety showcase


**Specification:**

Size (mm)	LED Chip	Input	Power	CCT	Lum/m	IP
500-5000x15	240pcs/m 2835	DC24V	20W/m	3000k 4000k 6500k	1400Lm	IP20,44,67



## Easy Connector System for Flexible Strip Light

**EACC20**

**EACC29**

**EACC30**

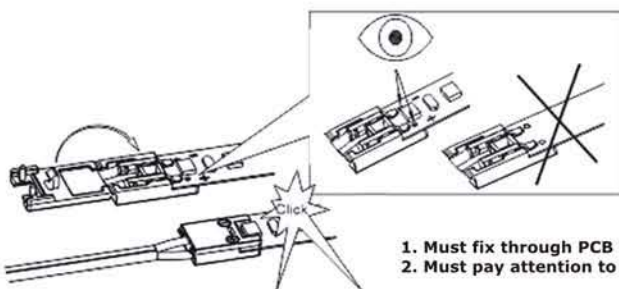
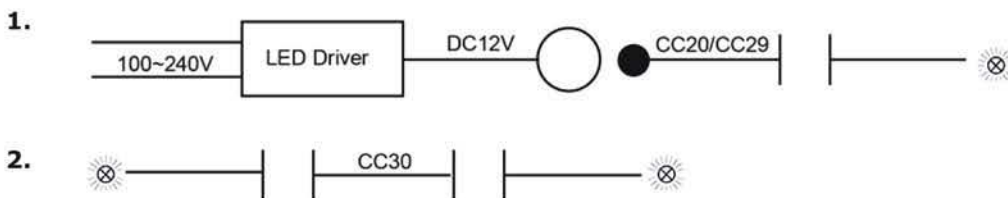
**Features:**

LED flexible strip light cable and connector system, can easily connect the LED driver and LED flexible strip light, and extended distance from the LED driver to LED flexible strip light (the lead cable max 6M), it is efficient and convenient for furniture

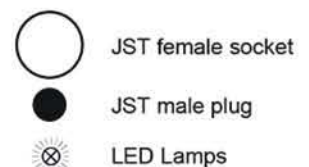
**Specification:**

Item no.	Description	Application
EACC20	LED flexible strip light cable and connector with DC12V JST male socket, max loaded current 2.5A, IP44	EAFS01
EACC29	LED flexible strip light cable and connector with DC12V JST male socket, max loaded current 3A, IP20	EAFS25, EAFS31, EAFS35, EAFS27
EACC30	Connector for two pcs LED flexible strip light	EAFS25, EAFS31, EAFS35, EAFS27

### Application Drawing



1. Must fix through PCB hole
2. Must pay attention to +/- Mark





EAPL05



EARL08



EALD38

# LED Mini Panel Light

EAPL05



**Features:**

- Material: ABS and aluminium
- Size: Ø65mm x H10mm
- LED chip: 20pcs 2835
- Installation: Recessed or mounted by ring with screw
- Cutout: Ø60mm
- Color: Silver, Black, White

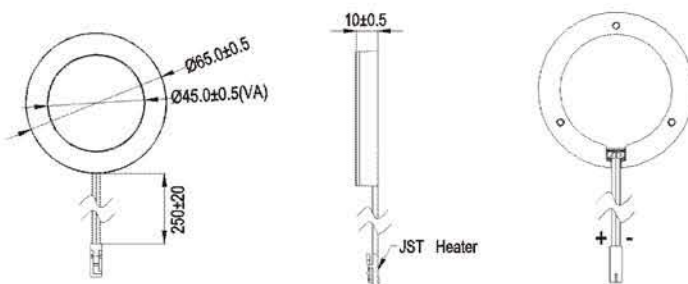


**Specification:**

Power consumption	Power Input	Lum@6000K	Flux@0.5M	CRI
1.8W	DC12V	153lm	90lx	≥90

**Vertical&Horizontal Beamwidth      Center Beam Lux**

	112.1°		3000K	4000K	6000K
0.3m		74.27cm	112/367LX	119/393LX	109/359LX
0.5m		148.54cm	28/92LX	30/98LX	27/90LX
0.8m		222.80cm	12/41LX	13/44LX	12/40LX
1.0m		297.07cm	7/23LX	7/25LX	7/22LX
2.7m		802.09cm	0.1/3LX	1/3LX	1/3LX

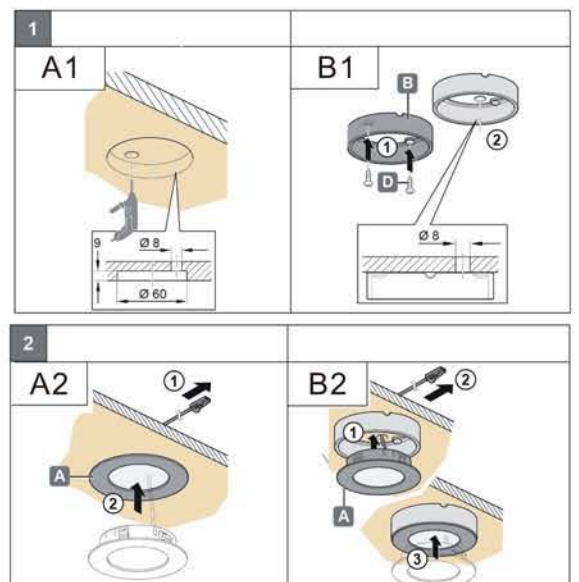


**Applications:**

Design for cabinet / Showcase / Shop area illumination

**Accessory:**

Product Name	Item No	Photo
Mounted ring	EASM28	
LED Lead Cable	EACC33	





# LED Focus Spot Light

EACF11



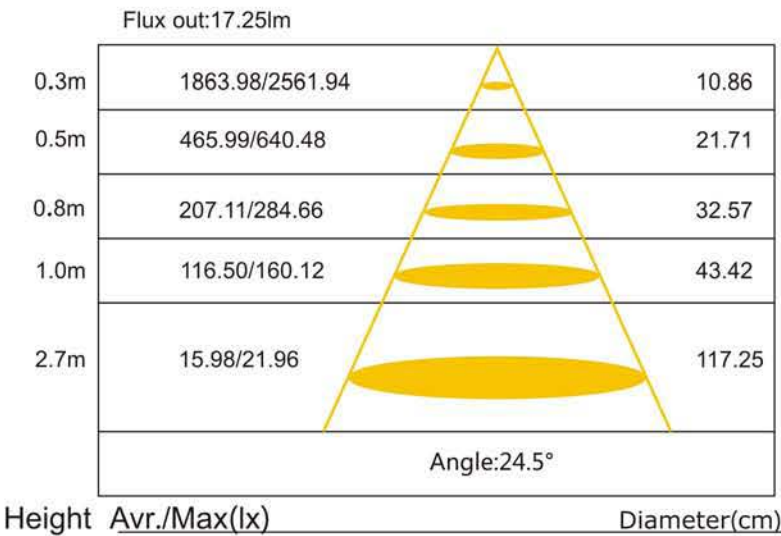
**Features:**

- Material: Anodized Aluminium
- Size: Ø40mm x H21mm
- Input: DC350mA
- Angle: Adjustable 30°
- CCT: 3000K/4000K/6000K
- Color: Silver,Black,White

**Specification:**

Power consumption	Power Input	Lum@3000K	Flux@1M	CRI
1W	CC DC350mA DC2.8~3.5V	80lm	160lx	≥90

If input AC100-240V, need to add external LED driver (DL3501)

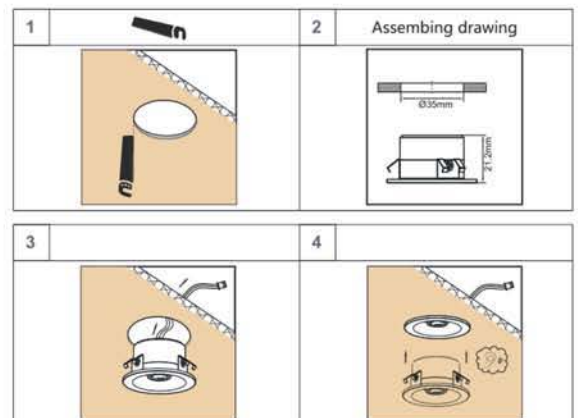


**Applications:**

Design for cabinet / Showcase / Shop area illumination

**Accessory**

LED driver, cable and connector



**LED Super Slim mini panel light**



**EAPL06**



**Features:**

- Material: Painting Plastic
- Size: Ø100mm x H8.0mm
- Color: Polish silver
- LED chip: 42pcs 3014
- Installation: Mounted by screw

**EAPL07**



**Features:**

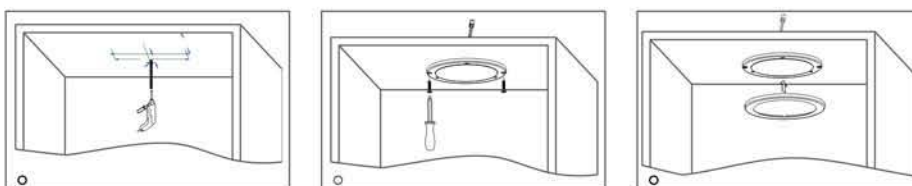
- Material: Painting Plastic
- Size: Ø100mm x H8.0mm
- Color: Polish silver
- LED chip: 63pcs 3014
- Installation: Mounted by screw

**Specification:**

Power consumption	Power Input	Lum@3000K	Flux@1M	CRI
4.2W	DC24V	170lm	49lx	≥90

If input AC100-240V, need to add external LED driver (LD38/LD39)

0.3m	216/544	68.54
1.0m	20/49	228.5
1.5m	9/22	342.7
2.0m	5/12	456.9
3.0m	2/6	685.4
Angle:97.6°		
Height	Avr./Max(lx)	Diameter(cm)



**Applications:**

Design for cabinet / Showcase / Shop area illumination

**IP44 LED Mini Down Light**



**EADP06**



**Features:**

- Material: Anodized Aluminium (silver surface)
- Dimension: 35mm x 35mm x H30mm
- Cutout: Ø26mm
- LED chips: 3pcs 5630

**EADP07**



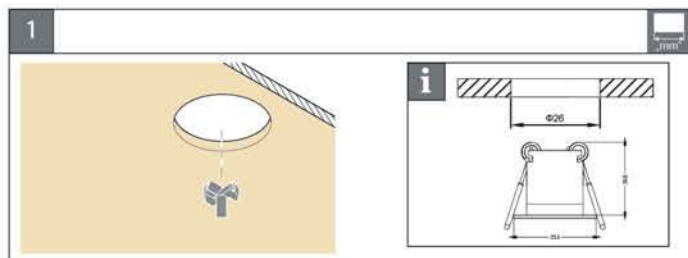
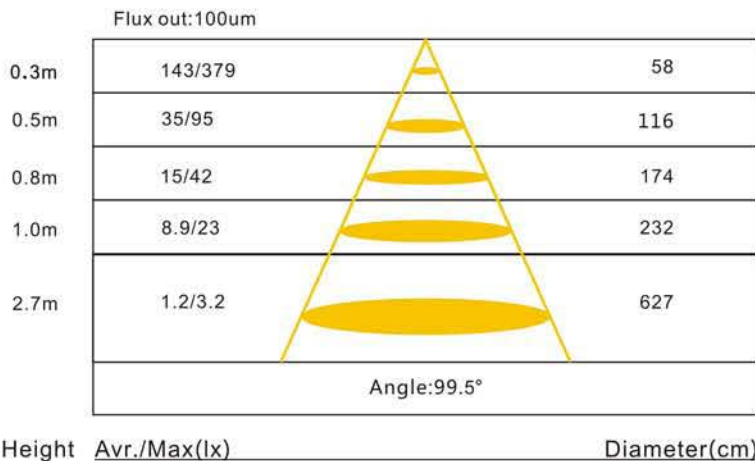
**Features:**

- Material: Anodized Aluminium (silver surface)
- Dimension: Ø35mm x H30mm
- Cutout: Ø26mm
- LED chips: 3pcs 5630

**Specification:**

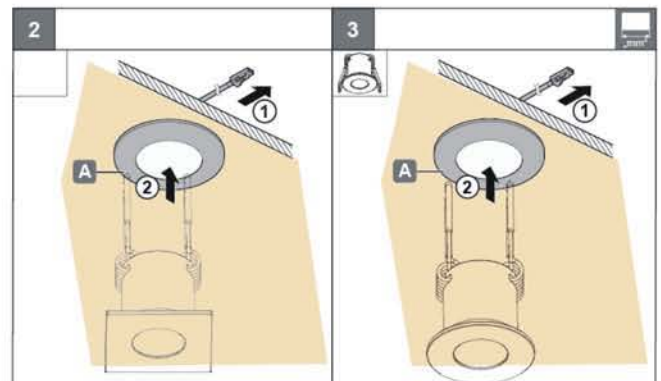
Power consumption	Power Input	Lum@3000K	Flux@1M	CRI
1.5W	DC12V	100lm	23lx	≥90

If input AC100-240V, need to add external LED driver (LD38/LD39)



**Accessory**

LED driver, cable and connector



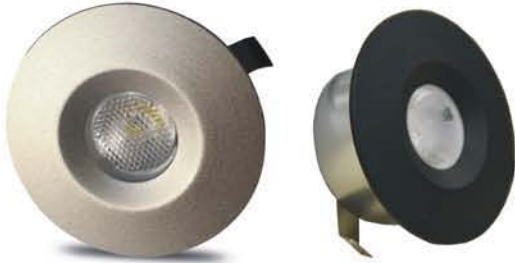
**Applications:**

Design for cabinet / Showcase / Shop area illumination

**LED Cabinet spot light series**



**EACB15**



**Features:**

- Material: Anodized Aluminium
- Size: Ø42mm x H30mm
- Cutout: Ø35mm
- Color: Silver, Black

**Specification:**

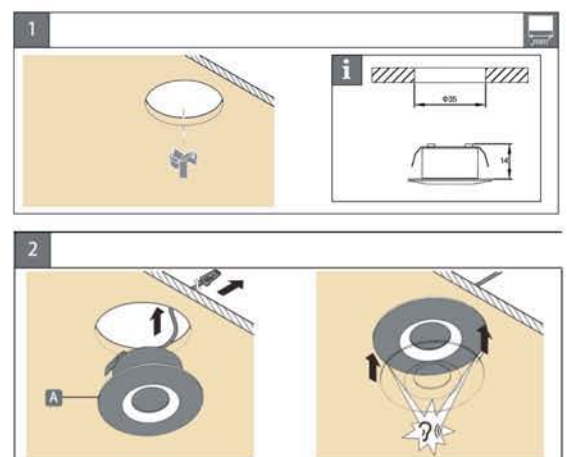
Power consumption	Power Input	Lum@3000K	Flux@1M	CRI
1.5W	DC12V	115lm	317lx	≥90

If input AC100-240V, need to add external LED driver (LD38/LD39)

**Vertical&Horizontal Beamwidth**

**Center Beam Lux**

Distance	Beamwidth (19°)	Center Beam Lux		
		3000K	4000K	6000K
0.3m	9.04cm	3674/5072LX	3332/4546LX	3681/5160LX
0.5m	18.08cm	918/1268LX	833/1136LX	920/1290LX
0.8m	27.12cm	408/563LX	370/505LX	409/573LX
1.0m	36.17cm	229/317LX	208/284LX	230/322LX
2.7m	97.65cm	31/43LX	28/38LX	31/44LX



**Applications:**

Design for cabinet / Showcase / Shop area illumination

**Accessory**

LED driver, cable and connector

**LED Cabinet Down light series**

**EACB07**

**Features:**

- Material: Anodized Aluminium
- Size: Ø65mm x H13mm
- Cutout: Ø58-60mm
- Color: Silver, Black
- LED chip: 1 pcs 3W COB

**EACB20**

**Features:**

- Material: Anodized Aluminium
- Size: 65mm x 65mm x H13mm
- Cutout: Ø58-60mm
- Color: Silver, Black
- LED chip: 1 pcs 3W COB

**Specification:**

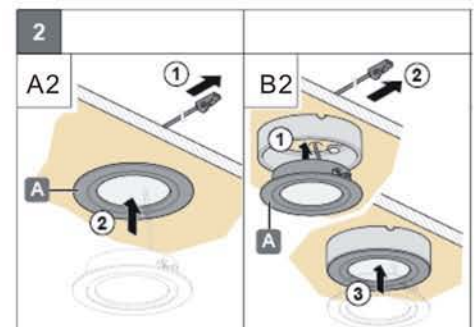
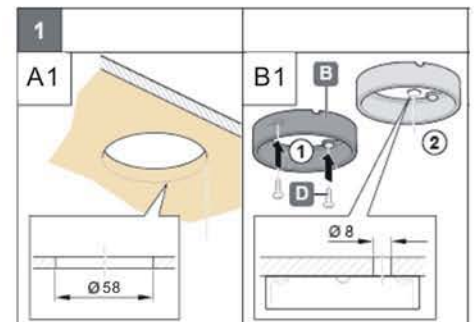
Power consumption	Power Input	Lum@3000K	Flux@1M	CRI
3W	DC12-24V	260lm	54lx	≥90

If input AC100-240V, need to add external LED driver (LD38/LD39)

**Vertical&Horizontal Beamwidth      Center Beam Lux**

	105.5°	Center Beam Lux		
		3000K	4000K	6000K
0.3m	78.90cm	206/607LX	237/641LX	271/669LX
1.0m	263.01cm	19/54LX	28/65LX	39/77LX
1.5m	394.52cm	8/24LX	17/33LX	26/44LX
2.0m	526.03cm	4/14LX	8/19LX	13/25LX
3.0m	789.04cm	2/6LX	6/11LX	11/16LX

**Applications:** Design for cabinet / Showcase / Shop area illumination


**Accessory**

Product Name	Item No	Photo
Surface Ring	EASM01	

LED driver, cable and connector

**LED Cabinet Down light series**



**EACB09**



**Features:**

- Material: Anodized Aluminium
- Size: Ø65mm x H13mm
- Cutout: Ø58-60mm
- Color: Silver, Black
- LED chips: 24pcs 3014

**EACB21**



**Features:**

- Material: Anodized Aluminium
- Size: 65mm x 65mm x H13mm
- Cutout: Ø58-60mm
- Color: Silver, Black
- LED chips: 24pcs 3014

**Specification:**

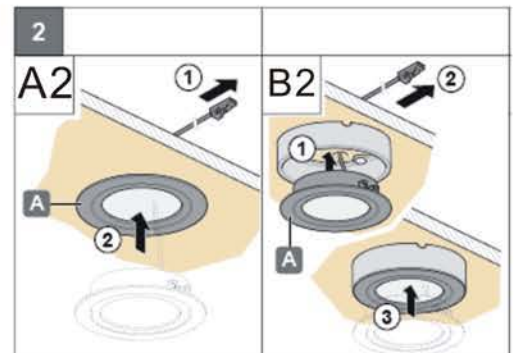
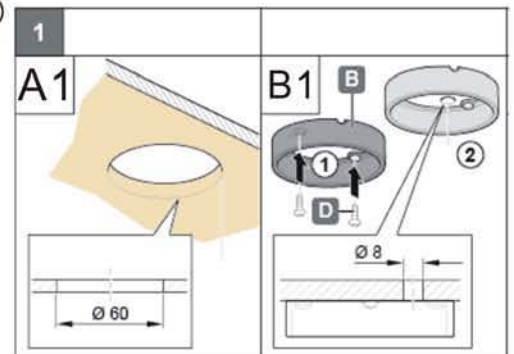
Power consumption	Power Input	Lum@3000K	Flux@1M	CRI
3W	DC12V	210lm	54lx	≥90

If input AC100-240V, need to add external LED driver (LD38/LD39)

**Vertical&Horizontal Beamwidth Center Beam Lux**

	105.5°	Center Beam Lux			
		Warm	Cool White	Day Light	
0.3m		78.90cm	206/607LX	237/641LX	271/669LX
1.0m		263.01cm	19/54LX	28/65LX	39/77LX
1.5m		394.52cm	8/24LX	17/33LX	26/44LX
2.0m		526.03cm	4/14LX	8/19LX	13/25LX
3.0m		789.04cm	2/6LX	6/11LX	11/16LX

**Applications:** Design for cabinet / Showcase / Shop area illumination



**Accessory**

Product Name	Item No	Photo
Surface Ring	EASM01	

LED driver, cable and connector

**LED Cabinet Down light series**



**EACB08**



**Features:**

- Material: Anodized Aluminium
- Size: Ø65mm x H13mm
- Cutout: Silver
- Installation: Recessed or mounted by ring with screw

**Specification:**

Power consumption	Power Input	Lum@3000K	Flux@1M	CRI
3W	DC12-24V/DC350mA	240lm	54lx	≥90

If input AC100-240V, need to add external LED driver(LD38/LD39)

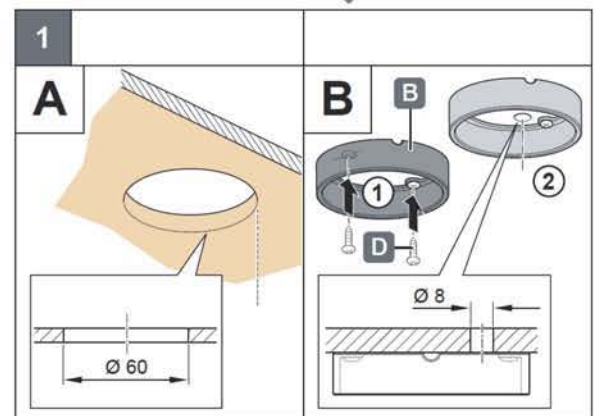
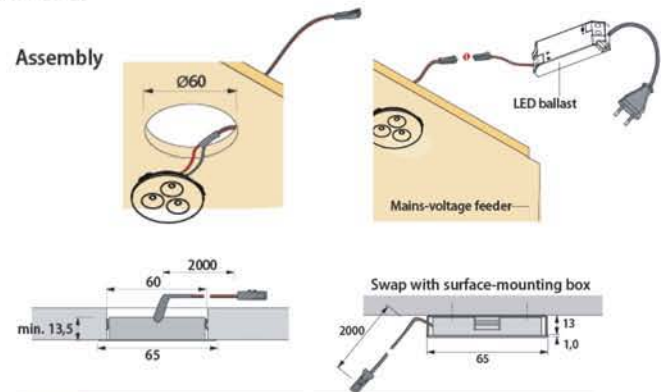
**Vertical&Horizontal Beamwidth Center Beam Lux**

Distance	Beamwidth (105.5°)	Center Beam Lux		
		Warm 3000k	Cool White 4000k	Day Light 6000k
0.3m	78.90cm	206/607LX	237/641LX	271/669LX
1.0m	263.01cm	19/54LX	28/65LX	39/77LX
1.5m	394.52cm	8/24LX	17/33LX	26/44LX
2.0m	526.03cm	4/14LX	8/19LX	13/25LX
3.0m	789.04cm	2/6LX	6/11LX	11/16LX



**Applications:**

Design for cabinet / Showcase / Shop area illumination



**Accessory:**

Product Name	Item No	Photo
Surface Ring	EASM08	

LED driver, cable and connector

### LED Slim Cabinet Light



#### EACB10



**Features:**

- Material: Polished Stainless Steel
- Size: Ø55mm x H8.0mm
- Color: Polish silver
- LED chip: 24pcs 3014
- Installation: Mounted by screw or adhesive tape

#### EACB11



**Features:**

- Material: Polished Stainless Steel
- Size: 50mm x 50mm x H8.0mm
- Color: Polish silver
- LED chip: 24pcs 3014
- Installation: Mounted by screw or adhesive tape

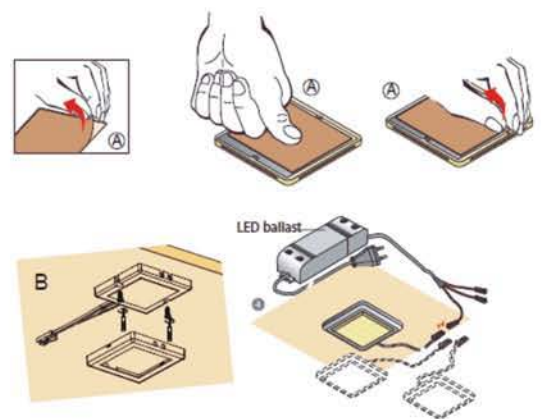
**Specification:**

Power consumption	Power Input	Warm White	Flux@1M	CRI
1.8W	DC12V	170lm	49lx	≥90

If input AC100-240V, need to add external LED driver (LD38/LD39)

Height	Avr./Max(lx)	Diameter(cm)
0.3m	216/544	68.54
1.0m	20/49	228.5
1.5m	9/22	342.7
2.0m	5/12	456.9
3.0m	2/6	685.4

Angle:97.6°



Height Avr./Max(lx) Diameter(cm)



**Accessory:** LED driver, cable and connector

**Applications:** Design for cabinet / Showcase, Shop area illumination



**LED Cabinet spot light series**



**EACB05**



**Features:**

- Material: Brushed Aluminium
- Size: Ø52mm x H22mm
- Hole Dimension: Ø45mm
- Color: Silver
- Adjustable Angle: 26 degree up/down

**Specification:**

Power consumption	Power Input	Warm White Lum@3000K	Flux@1M	CRI
1W	DC350mA	70-80lm	102lx	≥90

If input AC100-240V, need to add external LED driver (DL3501)

**EACB06**

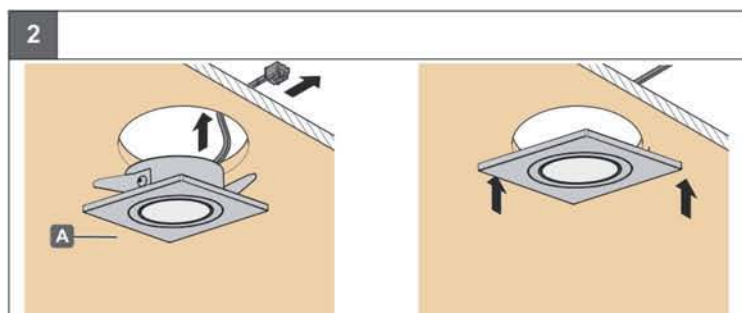
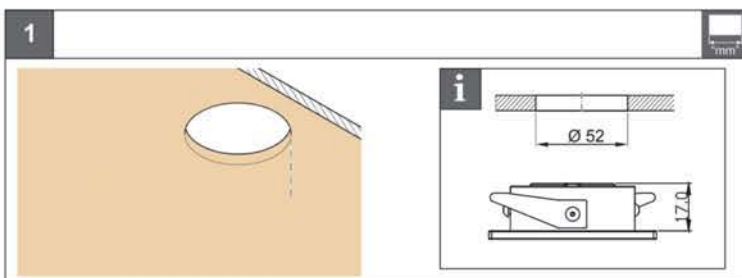


**Features:**

- Material: Brushed Aluminium
- Size: 60mm x 60mm x H23mm
- Hole Dimension: Ø50mm
- Color: Silver
- Adjustable Angle: 26 degree up/down

**Vertical&Horizontal Beamwidth Center Beam Lux**

Distance	Beamwidth	Center Beam Lux		
		Warm White 3000K	CoolWhite 4000K	Day light 6000K
0.3m	12.86cm	1231/1315LX	1442/1532LX	1645/1752LX
1.0m	42.88cm	108/102LX	130/138LX	235/245LX
1.5m	64.31cm	41/35LX	58/61LX	120/142LX
2.0m	85.75cm	26/29LX	32/35LX	61/73LX
3.0m	128.63cm	10/12LX	15/16LX	33/39LX



**Applications:**

Design for cabinet / Showcase / Shop area illumination

**Accessory:**

LED driver, cable and connector

**LED Cabinet Down light series**



**EACF03**



**Features:**

- Material: Anodized Aluminium
- Size: Ø40mm x H32mm
- Cutout: Ø35mm
- Color: Silver, Black, Golden
- Adjustable Angle: 30°

**EACF04**



**Features:**

- Material: Anodized Aluminium
- Size: Ø40mm x H18mm
- Cutout: Ø35mm
- Color: Silver, Black, Golden
- Adjustable Angle: 30°

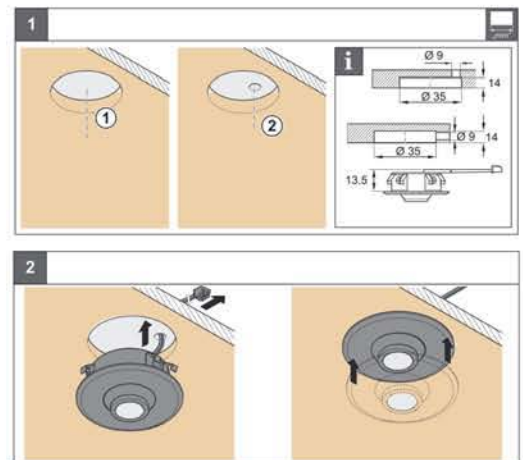
**Specification:**

Power consumption	Power Input	Lum@3000K	Flux@1M	CRI
1W	DC350mA	70-80lm	102lx	≥90

If input AC100-240V, need to add external LED driver (DL3501)

**Vertical&Horizontal Beamwidth Center Beam Lux**

	24.2°	Center Beam Lux		
		3000K	4000K	6000K
0.3m		12.86cm 1231/1315LX	1442/1532LX	1645/1752LX
1.0m		42.88cm 108/102LX	130/138LX	235/245LX
1.5m		64.31cm 41/35LX	58/61LX	120/142LX
2.0m		85.75cm 26/29LX	32/35LX	61/73LX
3.0m		128.63cm 10/12LX	15/16LX	33/39LX



**Application:**

Design for cabinet / Showcase / Shop area illumination

**Accessory:**

LED driver, cable and connector

LED Focus Spot Light

EACF13



**Features:**

- High lumen efficiency high CRI and color consistency
- Delicate appearance and easy installation

**Application:**

- Cabinet, display cabinet and wine cabinet



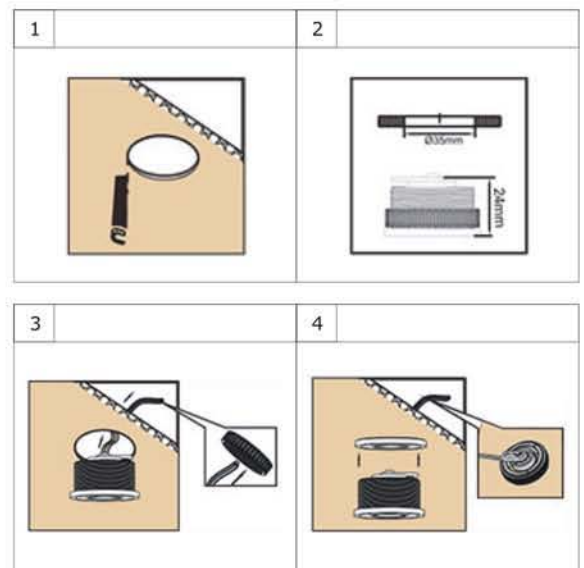
**Specification:**

Size (mm)	Power	Input	Color	CCT	Lum@3000K	Flux@30cm	CRI
Ø40x24	2W	DC600mA	Black Sliver	3000k 4000k 6500k	165Lm	10015Lx	≥80



**Center Beam Lux**

cm	20°	Lux
		3000K
30		10015
50		2504
80		1113
100		626
270		86



**LED Mini Cabinet Light**
**EACB28**

**Features:**

- High lumen efficiency high CRI and color consistency
- Delicate appearance and easy installation

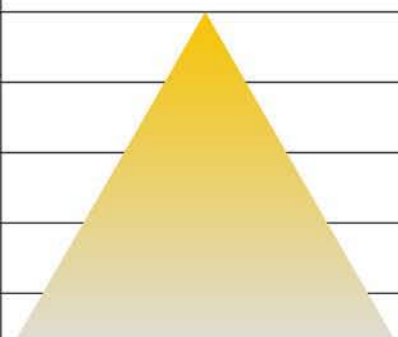
**Application:**

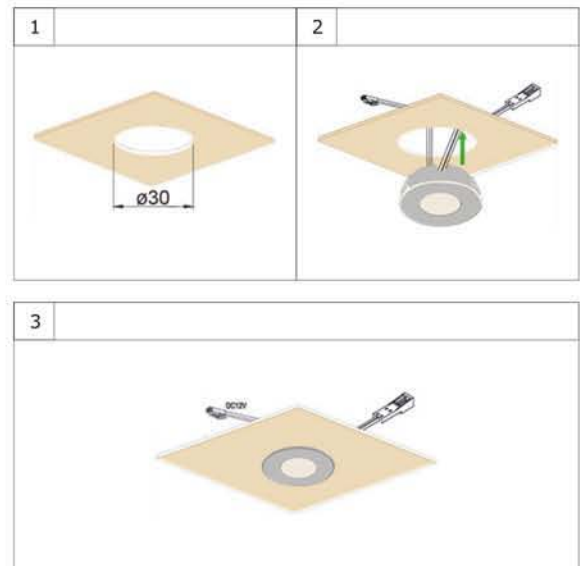
- Cabinet, display cabinet and wine cabinet


**Specification:**

Size (mm)	Power	Input	Color	CCT	Lum@4000K	Flux@30cm	CRI
Ø36x15	1.2W	DC1.2W	Silver	3000k 4000k 6500k	105Lm	623Lx	≥80


**Center Beam Lux**

cm	48°	Lux
		4000K
30		623
50		156
80		69
100		40
270		5



**LED Mini Cabinet Light**

EACB29



**Features:**

- High lumen efficiency high CRI and color consistency
- Delicate appearance and easy installation

**Application:**

- Cabinet, display cabinet and wine cabinet



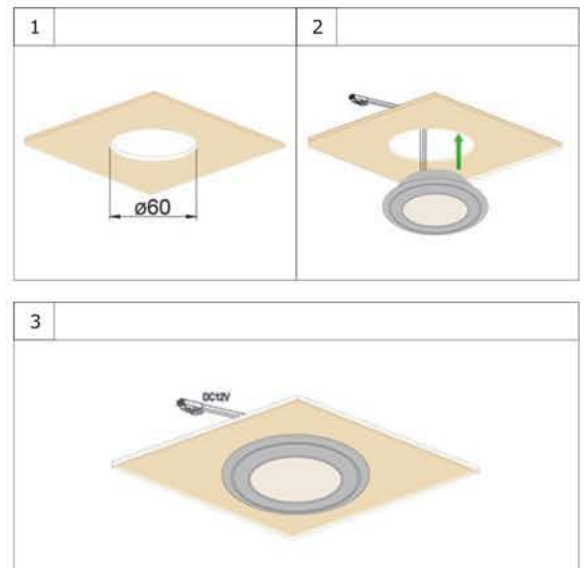
**Specification:**

Size (mm)	Power	Input	Color	CCT	Lum@4000K	Flux@30cm	CRI
Ø65x12	2.5W	DC24V	Silver	3000k 4000k 6500k	264Lm	1116Lx	≥80



**Center Beam Lux**

cm	82°	Lux
		4000K
30		1116
50		279
80		124
100		69
270		9





**LED Mini Cabinet Light**

EAPL08/EAPL10



**Features:**

- High lumen efficiency high CRI and color consistency
- Ultra-thin design and delicate appearance
- The light is homogeneous the points of LED light is not visible
- Easy installation
- No screw can be seen on the surface

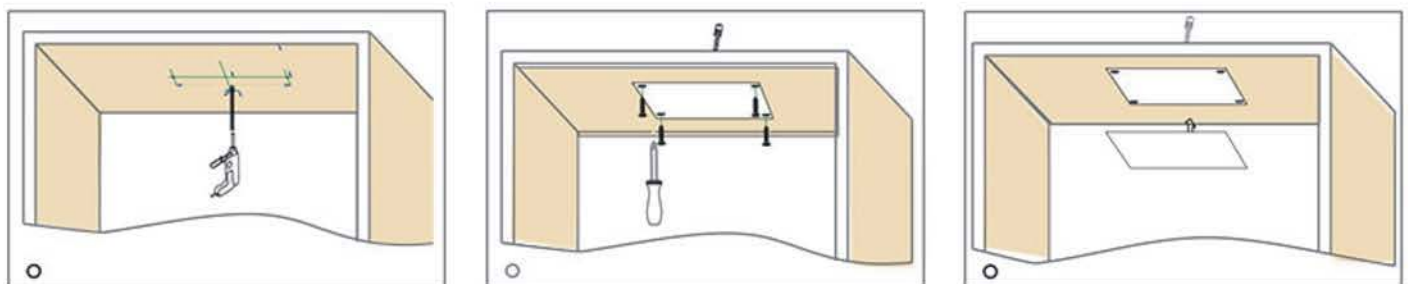
**Application:**

- Cabinet, display cabinet



**Specification:**

Size (mm)	LED Chip	Power	Input	Color	CCT	Lum@4000K	CRI
300x150x8	84pcs/3014	8W	DC12/24V	Polished Silver	3000k 4000k 6500k	640Lm	≥ 80
300x300x8	112pcs/3014	10W	DC12/24V	Polished Silver	3000k 4000k 6500k	800Lm	≥ 80



**Mirror Light with Sensor Switch**
**EAOC05**

**Features:**

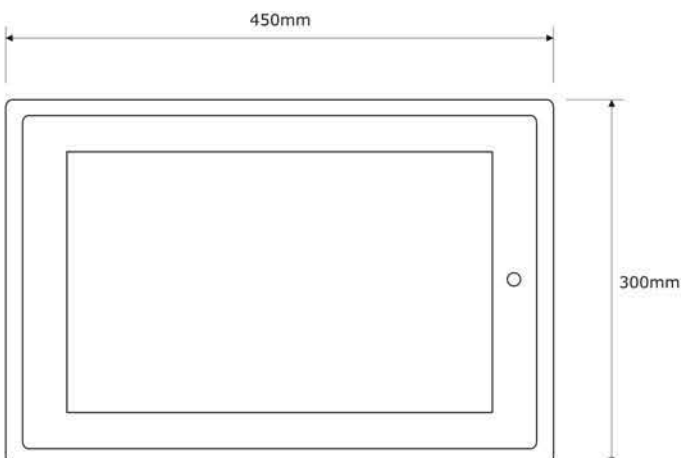
- Uniform in luminance, high lumen and the point of the LED light are not visible
- Different length can be designed and the light angle can be adjusted
- It is convenient for installation

**Application:**

- Illumination of mirror

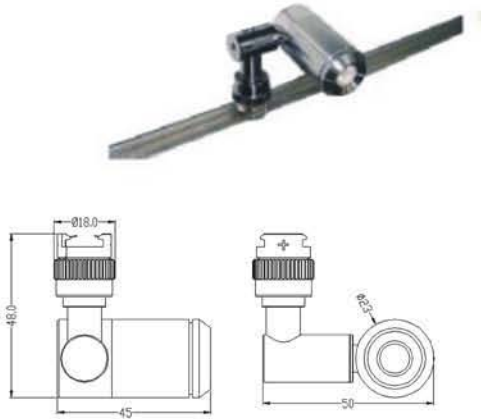
**Specification:**

Switch	LED Chip	Power	Color	CCT	CRI
PIR Sensor Touch dimmer	120pcs/m 2835	9.6W/m	Silver Black	3000k 4000k 6500k	≥ 80

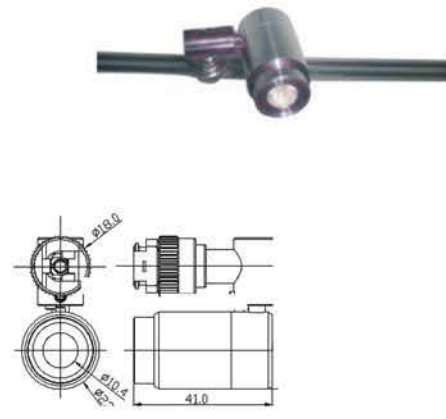


### Mini LED Track Light Series

#### EATR01



#### EATR02



#### Specification:

Power consumption	Power Input	Lum@3000K	Flux@1M	CRI
1.25W	DC12V	70-80lm	188lx	≥90

If input AC100-240V, need to add external LED driver (LD38/LD39)

#### Vertical&Horizontal Beamwidth Center Beam Lux

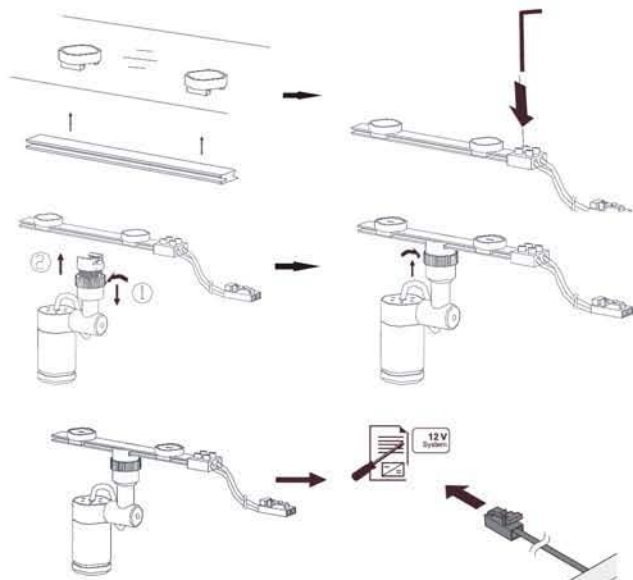
Distance	23.7°	Center Beam Lux		
		3000K	4000K	6000K
0.3m	12.59cm	1658/2218LX	1680/2301LX	1767/2386LX
1.0m	41.96cm	144/188LX	151/198LX	159/215LX
1.5m	62.95cm	64/88LX	67/92LX	71/96LX
2.0m	83.93cm	31/44LX	35/50LX	40/54LX
3.0m	125.89cm	13/19LX	15/22LX	17/24LX



**Applications:** Design for cabinet / Showcase / Shop area illumination

#### Accessory

Product Name	Item No	Photo
Transparent Track	EATR1101A1	
Mount Set	EATR1101A2	
Connector	EATR1101A3	
Led Driver	EALD38/EALD39	







### Jewellery Showcase LED Light Series

EAJS02



**Features:**

- Material: Anodized Aluminium (silver surface)
- Input Voltage: DC12/24V
- LED Source: 3x1W or 6X1w, connectable
- CCT: 3000K/4000K/6000K

**Specification:**

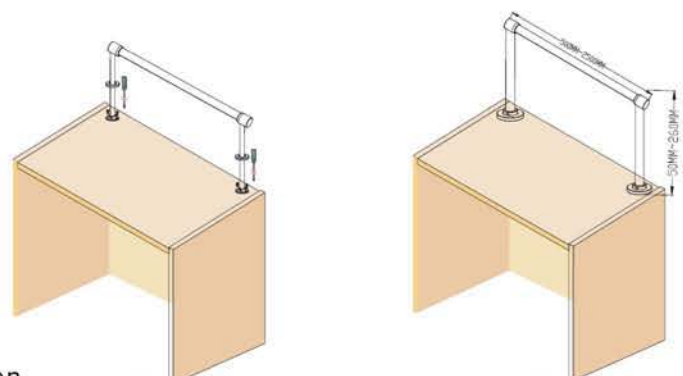
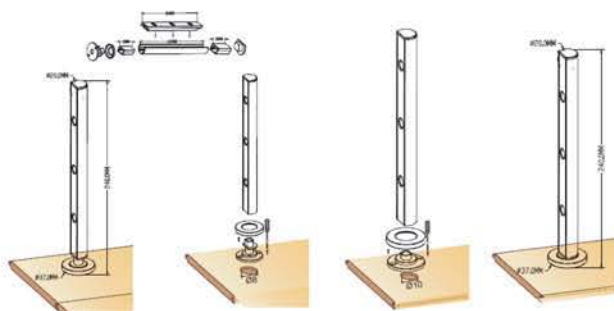
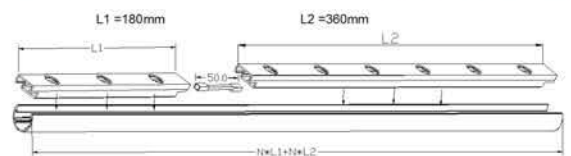
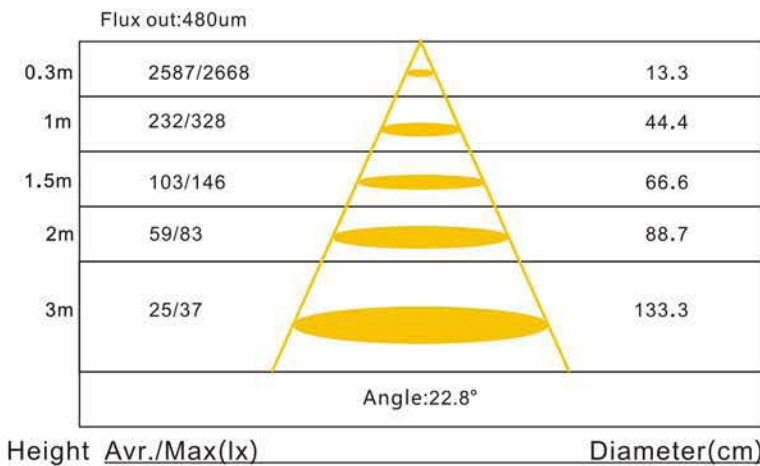
Item no.	Description	Power Input	Lum@3000K	Flux@1M	CRI
EAJS1303-3	3W, 180mm	DC12~24V	210lm	150lx	≥80
EAJS1303-3	6W, 180mm	DC12~24V	480lm	240lx	≥80

EAJS03



**Features:**

- Material: Anodized Aluminium (silver surface)
- Input Voltage: DC12/24V
- LED Source: 3x1W or 6X1w, connectable
- CCT: 3000K/4000K/6000K



**Applications:**

Design for cabinet / Showcase / Shop area illumination

**LED Mini Panel Light**

**EAJS10**



**Features:**

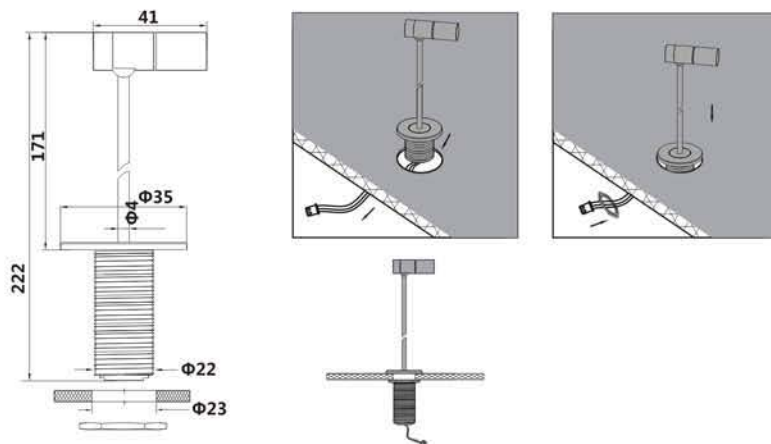
- Material: Anodized Aluminium
- Input: DC350mA
- Light source: 1pcs 1W LED chip
- Adjustable: Up/down 80 degree, horizon 350 degree
- Finished Color: Silver/Black
- CCT: 3000K/4000K/6000K

**Specification:**

Power consumption	Power Input	Lum@6000K	Flux@1M	CRI
1W	DC35mA	80lm	42lx	≥90

0.3m	2282/3264	15
0.5m	143/205	53
0.8m	64/93	80
1.0m	28/42	106
2.7m	9/15	160
Angle:30.2°		

Height Avr./Max(lx) Diameter(cm)



**Applications:**

Design for cabinet / Showcase / Shop area illumination

**Accessory:**

LED driver, cable and connector



## Jewellery Showcase LED Light Series

EAJS08



**Features:**

- Material: Anodized Aluminium
- Input: DC12V
- Light source: 1pcs 2W LED chip
- Adjustable: Up/down 80 degree, horizon 350 degree
- Finished Color: Silver
- CCT: 3000K/4000K/6000K

**Specification:**

Power consumption	Power Input	Day Light Lum@6000K	Flux@1M	CRI
2W	DC12V	140lm	22lx	≥90

If input AC 100-240V, need to add external LED driver(LD38/LD39)

Height	Avr./Max(lx)	Diameter(cm)
0.3m	2992/3637	9
0.5m	187/227	35
0.8m	59/86	51
1.0m	16/22	70
2.7m	23/29	102

Angle:22°

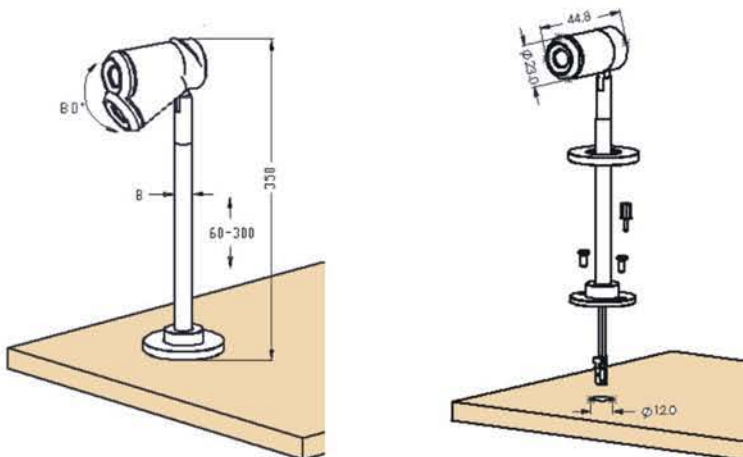


**Applications:**

Design for cabinet / Showcase / Shop area illumination

**Accessory:**

LED driver, cable and connector



### LED Reading Light With Inner Dimmer Switch



EARL08



**Features:**

- Material: Anodized Aluminium
- Size: Ø20mm x H580mm
- Surface color: Silver
- Light source: 12 pcs 2835 chips
- Switch: Touch dimmer switch on head

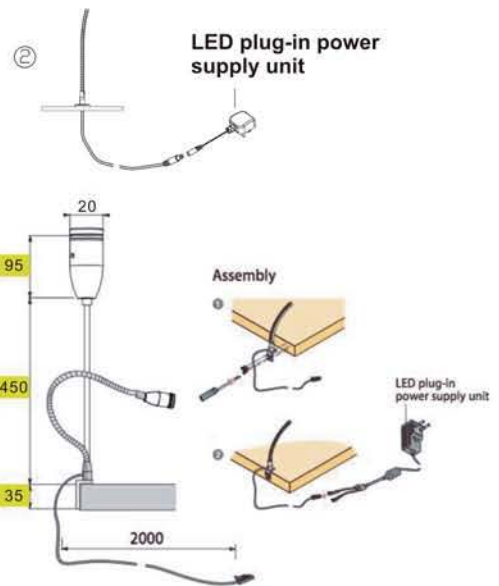
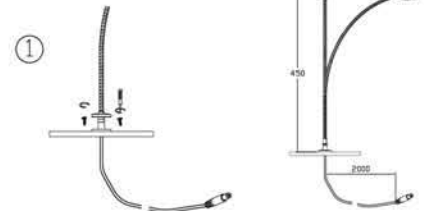
**Specification:**

Power consumption	Power Input	Lum@6000K	Flux@1M	CRI
1.8W	DC12V	120lm	54lx	≥90

If input AC100-240V, need to add external LED driver (LD38/LD39)

Height	Beam Angle	Beam Diameter	Warm 3000K	CoolWhite 4000K	Day Light 6000K
			Lum	Lum	Lum
0.3m	105.5°	78.90cm	206/607LX	237/641LX	271/669LX
1.0m		263.01cm	19/54LX	28/65LX	39/77LX
1.5m		394.52cm	8/24LX	17/33LX	26/44LX
2.0m		526.03cm	4/14LX	8/19LX	13/25LX
3.0m		789.04cm	2/6LX	6/11LX	11/16LX

**Assembly**



**Applications:** Design for cabinet / Showcase / Shop area illumination

**Accessory:** LED driver, cable and connector

**LED Reading Light With Charging Port And Dimmer Switch**
**IP20** **12V**

**EARL11**

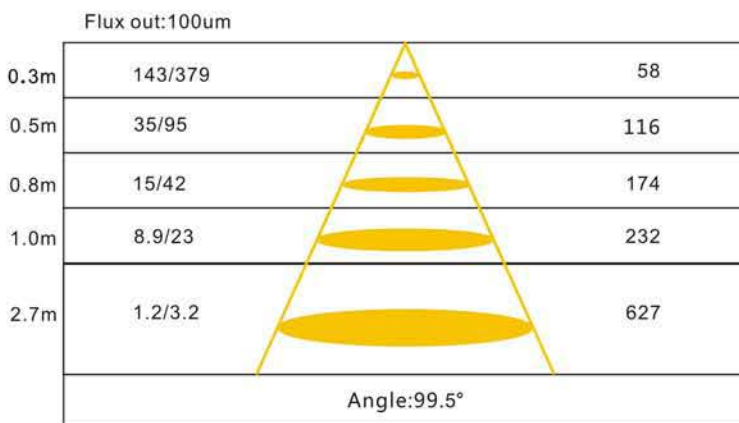
**Features:**

- Material: Anodized Aluminium
- Size: Ø20mm x H580mm
- Surface color: Silver
- Light source: 3 pcs 5630 chips
- Switch: Charging Port And Dimmer Switch on base

**Specification:**

Power consumption	Power Input	Lum@3000K	Flux@1M	CRI
10W (with charging)	DC12V	100lm	23lx	≥90

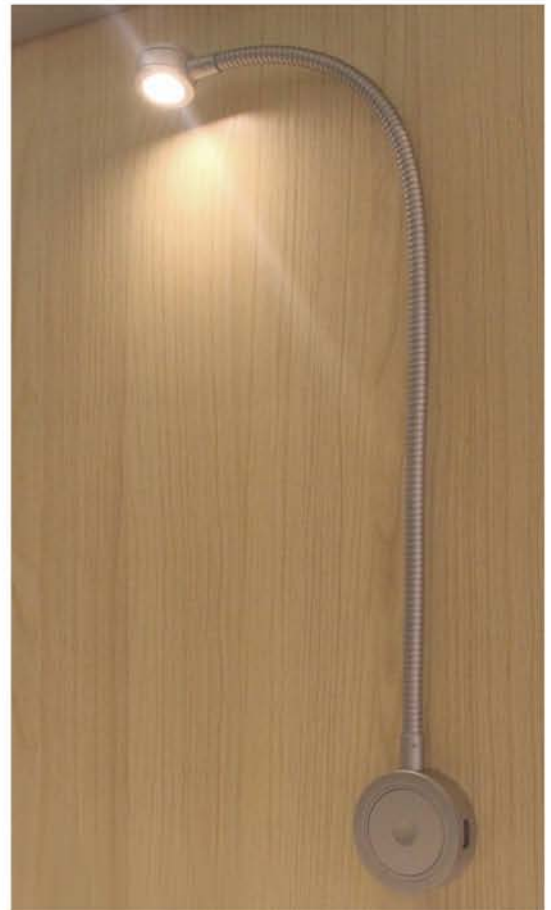
If input AC100-240V, need to add external LED driver (LD38/LD39)


**Applications:**

Design for cabinet / Showcase / Shop area illumination

**Accessory:**

LED driver, cable and connector



**LED Reading Light Series**



**EARL01**



**Features:**

- Material: Anodized Aluminium
- Size: Ø30mm x H450mm
- Color: Silver
- Switch: integral on/off switch

**Specification:**

Power consumption	Power Input	Lum@3000K	Flux@1M	CRI
1W	DC350mA	70-80lm	144lx	≥90

If input AC100-240V, need to add external LED driver (DL3501)

0.3m	1173/1602	16.47
1.0m	106/144	54.9
1.5m	47/64	82.35
2.0m	26/36	109.8
3.0m	12/16	164.7

Angle:30.7°

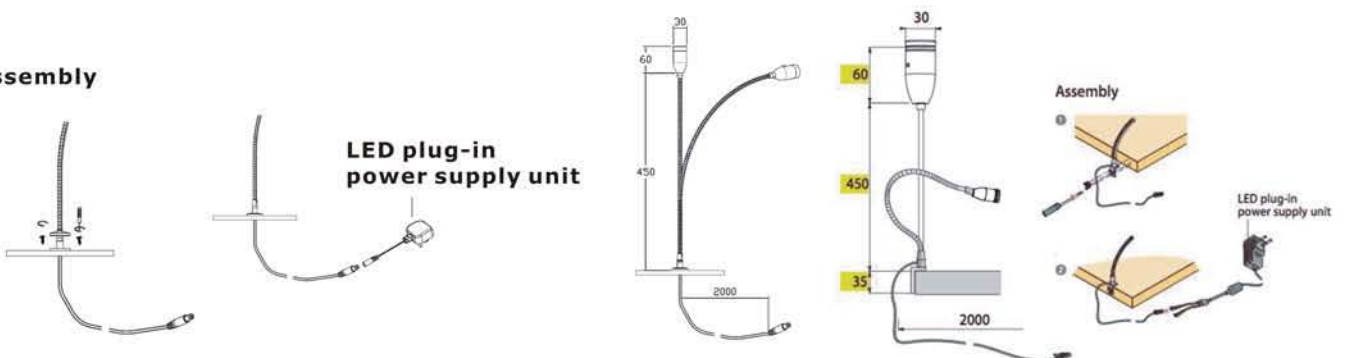
Height Avr./Max(lx) Diameter(cm)



**Applications:** Design for cabinet / Showcase / Shop area illumination

**Accessory:** LED driver, cable and connector

**Assembly**



## LED Glass Recessed Shelf Bar Light



**EASL04**

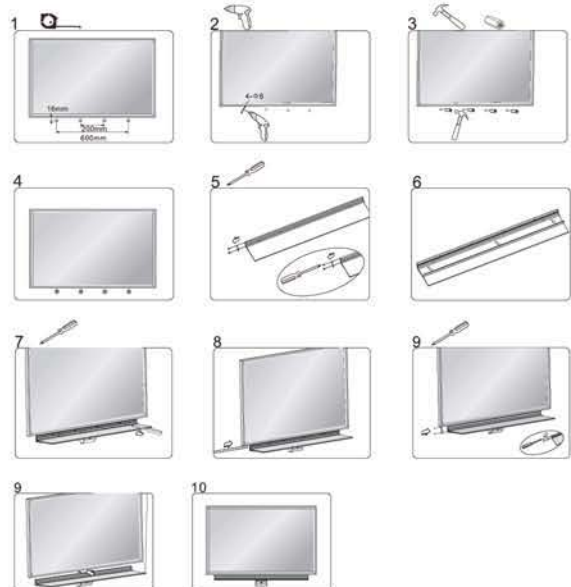


### Features:

- High quality anodized aluminium housing
- With Transparent glass
- Fix with screw and surface mounted version
- 60pcs/M 2835 Chips DC12V, different window and wattage is available
- Less heating, no UV, energy saving, long life

### Specification:

LED Color	Power	Length (mm)	CRI
Blue	1.8/2.8	575/862	NA
Warm White	1.8/2.8	575/862	≥90
Cool White	1.8/2.8	575/862	≥90



### Applications:

Design for cabinet / Showcase / Shop area illumination

**LED Glass Recessed Bar Light**
**EAHG04**

**Features:**

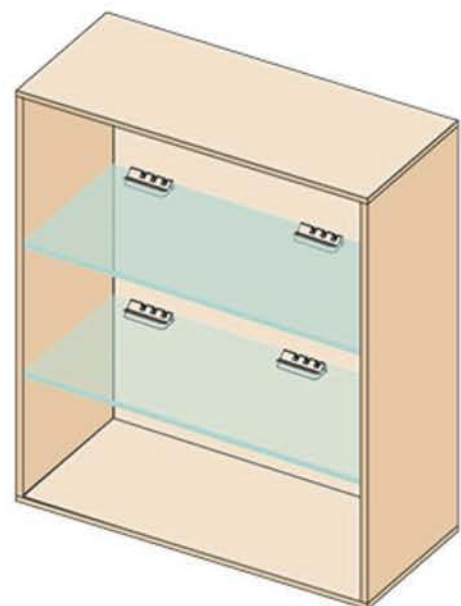
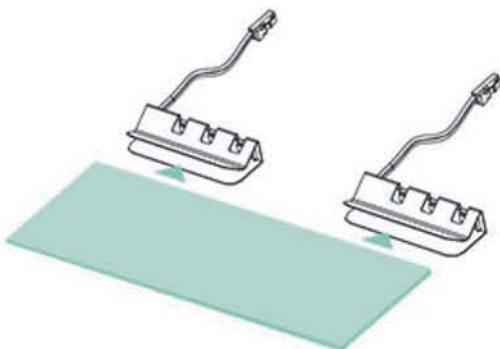
- Special protection design for strip light, long life span
- Suitable for 8-12mm glass
- White or blue light

**Application:**

- Suitable for cabinet, showcase and other glass illumination

**Specification:**

Material	Surface	Application	Color	Length(mm)	Installation
Al6063	Anodized aluminium	Sunken glass	Silver	64	Surface mounted


**Installation**




LED Glass Shelf Light

EASL02

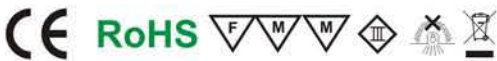
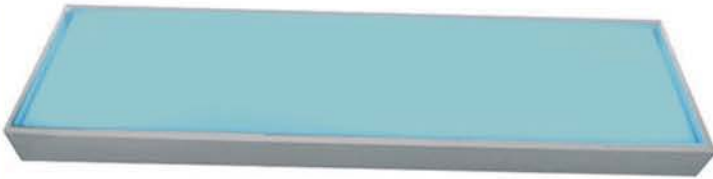
IP20 24V

**Features:**

- Uniform in luminance
- Multi-angle lighting design
- Loading weight within 10 kilograms

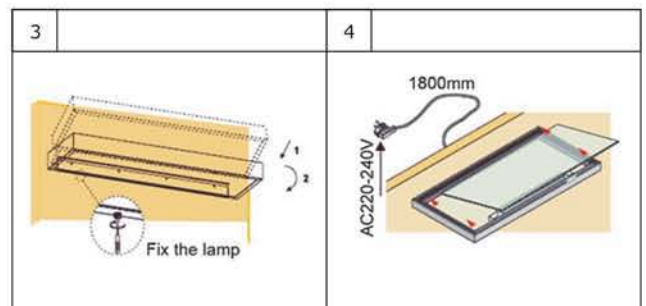
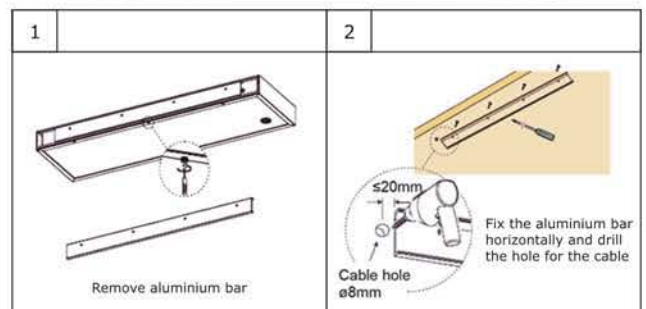
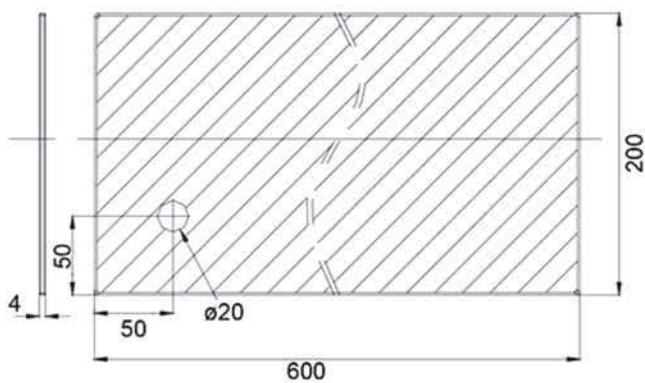
**Application:**

- It is suitable for using in decorative lighting, display, showcase



**Specification:**

Surface	LED Chip	Input	Power	Color	Length(mm)	CRI
Anodized aluminium	60pcs 2835	AC240V	6W	Silver	600	≥ 80
	100pcs 2835		10W		900	



**LED Cabinet Bottom Light**
**EASL05**

**Features:**

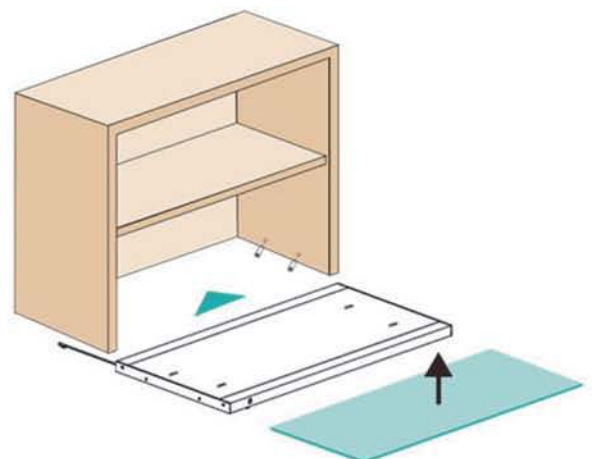
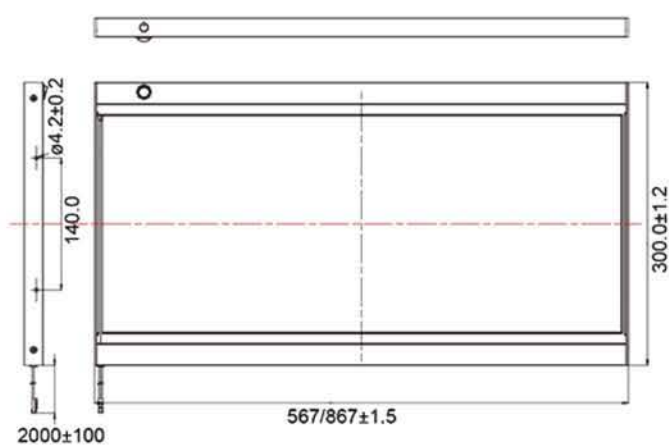
- High lumen efficiency, high CRI and good color consistency
- Nice appearance

**Application:**

- It is suitable for lighting in cabinet bottom


**Specification:**

Surface	LED Chip	Input	Power	Color	Length(mm)	CRI
Anodized aluminium	36pcs 2835	DC12V	7W	White	567	≥ 80
	54pcs 2835		10W		867	



**LED Cabinet Bar Light**
**EAHS44**

**Features:**

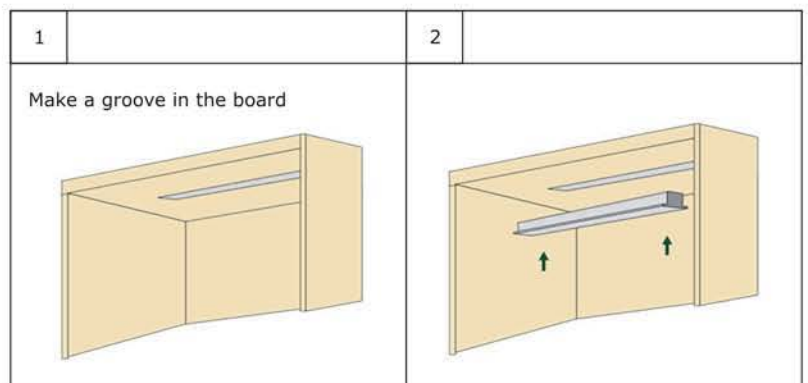
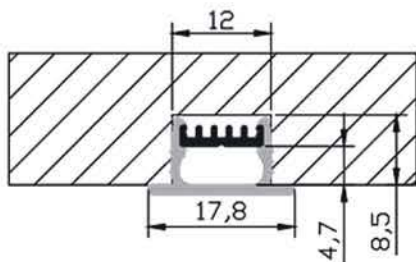
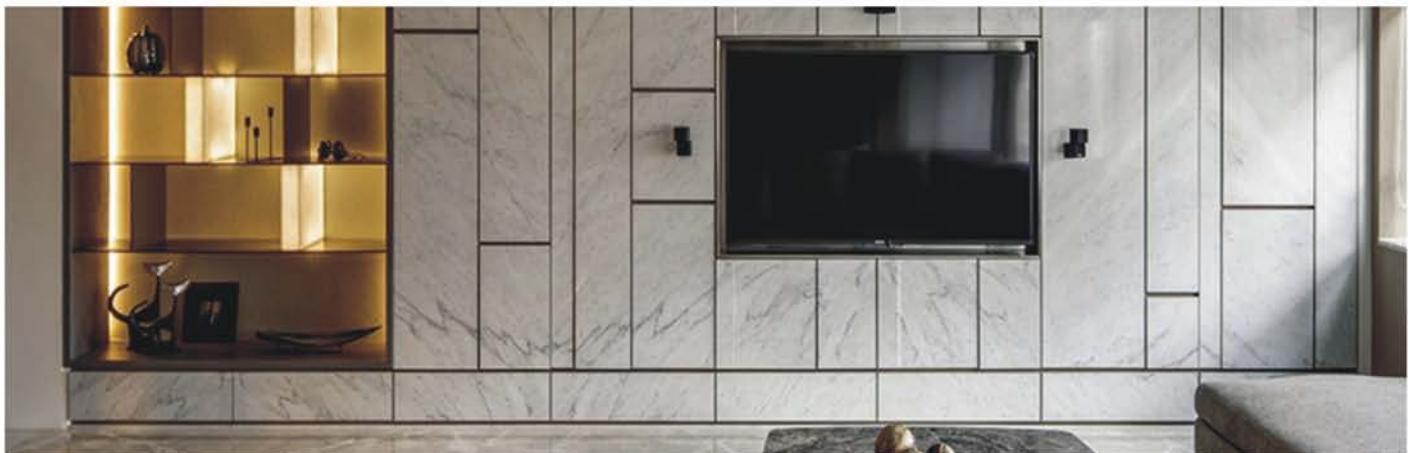
- Length can be customized
- High quality PC cover make light more homogenous
- Exquisite make wider use of than the others

**Application:**

- Furniture lighting, store shelf lighting, window display lighting

**Specification:**

Size	LED Chip	Input	Power	CCT	CRI	Installation
500x17.8x9.5	60pcs/m 2835	DC12V	2.6W	3000k 4000k 6500k	≥80	Recessed mounted
643x17.8x9.5	60pcs/m 2835		3W			



**LED Glass Recessed Bar Light**

**EAHG01**

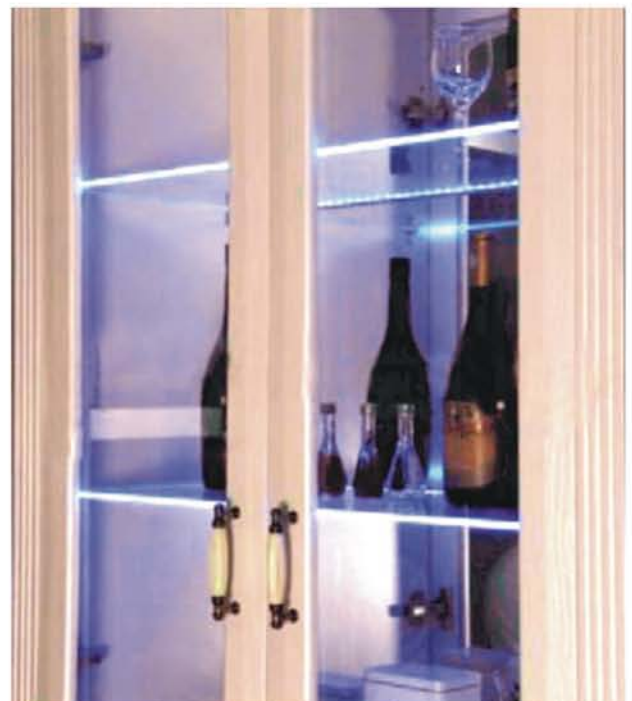
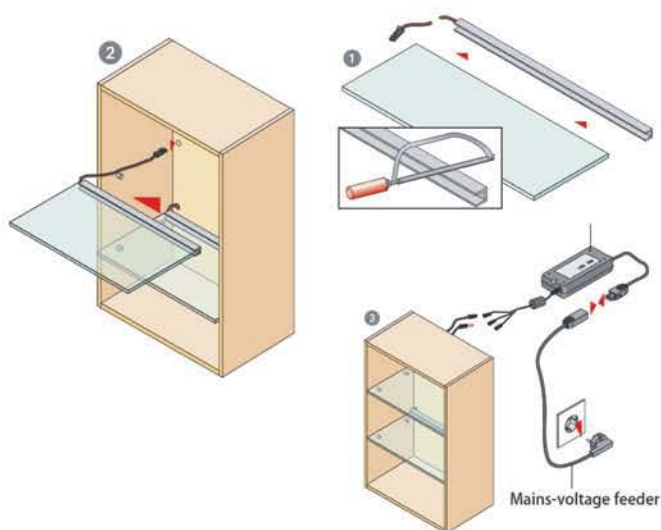
**Features:**

- High quality anodized aluminium housing
- With high diffusion PC Cover
- Fix with screw and surface mounted version
- 60pcs/M 2835 Chips DC12V, different window and wattage is available
- Less heating, no UV, energy saving, long life

**Specification:**

LED Color	Power	Length (mm)	CRI
Blue	1.8/2.8	575/862	NA
Warm White	1.8/2.8	575/862	≥90
Cool White	1.8/2.8	575/862	≥90

If input AC100-240V, need to add external LED driver (LD38/LD39)

**Assembly**


**Applications:** Suitable for using in decorative lighting / Display and show case

**LED Glass Recessed Bar Light**

**EAHG02**

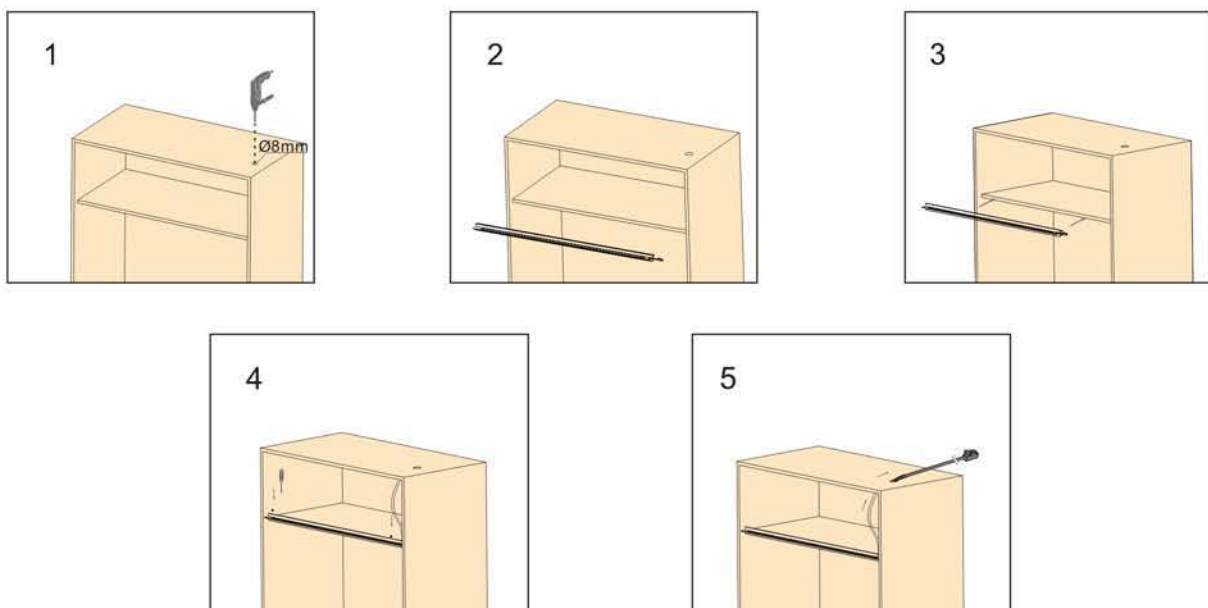
**Feature.**

- High quality anodized aluminium housing
- Fix with screw and surface mounted version
- 60pcs/M 2835 Chips DC12V, different window and wattage is available
- Less heating, no UV, energy saving, long life

**Specification:**

LED Color	Power	Length (mm)	CRI
Blue	1.8/2.8	575	NA
Warm White	1.8/2.8	575	≥90
Cool White	1.8/2.8	575	≥90

If input AC100-240V, need to add external LED driver (LD38/LD39)


**Applications:** Suitable for using in decorative lighting / Display and showcase

**LED Cabinet Bar Light with Sensor**



**EAHS03**



**Features:**

- With IR Door sensor on the aluminum-side
- Turn on/off by Door open/close
- DC12V ,60PCS/M 2835 Chips
- 563/862 x 15.5 x 13mm

**EAHS05**



**Features:**

- With IR Door sensor on the PVC diffuser
- Turn on/off by Door open/close
- DC12V ,60PCS/M 2835 Chips
- 563/862 x 15.5 x 13mm

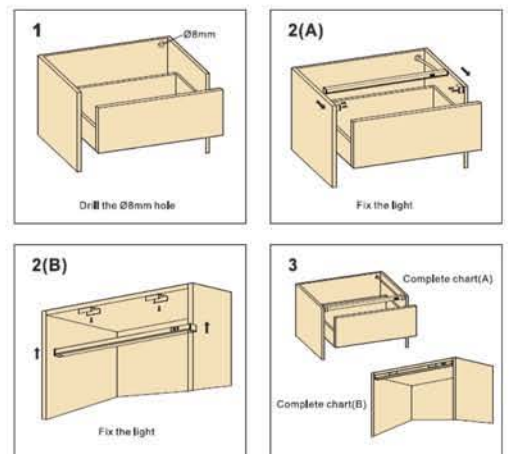
**Specification:**

Light Color	Wattage (W)	Power Input	Lumen (lm)	Length	CRI
3000k/Warm white	3/4.5	DC12V	180/270	563/862	≥90
4000k/Cool white	3/4.5	DC12V	180/270	563/862	≥90
6000k/Day light	3/4.5	DC12V	180/270	563/862	≥90

If input AC100-240V, need to add external LED driver (LD38/LD39)



**Applications:** Suitable for drawer or wardrobe / Cabinet  
**Accessory:** LED driver, cable and connector



Item No	Description	Photo
EASM1103	Stainless Steel Mounted Clip	
EASM1104	Plastic Mounted Clip	

**LED SMD Mirror Light**
**EAYD14011**

**Features:**

- LED SMD: 2835 x 72pcs
- Dimension: 740 x 110 x 35mm
- Input: DC12V
- Emitting color: White (5000-6500K), Warm White(2500-4200K)
- Ra: 80
- Power: 12W
- Material: Chrome Plated Aluminium
- Luminous Flux: 450-500lm


**LED SMD Mirror Light**
**EAYD14008**

**Features:**

- LED SMD: 2835x72pcs
- Dimension: 600x110x35mm
- Input: DC12V
- Emitting color: White (5000-6500K), Warm White(2500-4200K)
- Ra: 80
- Power: 12W
- Material: Chrome Plated Alu
- Luminous Flux: 450-500lm

**EAID01**

**Features:**

- Single door sensor switch
- Dimension: Ø15mmx12mm
- Working voltage: 12V-24V
- Current loading: Max 3A
- Sensor range: 30-80mm (Brown board)
- Standby power: 0.2W
- Installation: Recessed mounted
- Power: 12V-30W

**EAID05**

**Features:**

- Double door sensor switch
- Dimension: Ø15mmx12mm
- Working voltage: 12V-24V
- Current loading: Max 3A
- Sensor range: 30-80mm (Brown board)
- Standby power: 0.2W
- Installation: Recessed mounted
- Power: 12V-30W

**EAID08**

**Features:**

- Three door sensor switch
- Dimension: Ø15mmx12mm
- Working voltage: 12V-24V
- Current loading: Max 3A
- Sensor range: 30-80mm (Brown board)
- Standby power: 0.2W
- Installation: Recessed mounted
- Power: 12V-30W

**EAID02**

**Features:**

- Single door sensor switch
- Dimension: 30mmx23mmx7.5mm
- Working voltage: 12V-24V
- Current loading: Max 3A
- Sensor range: 30-80mm (Brown board)
- Standby power: 0.2W
- Installation: Surface mounted
- Power: 12V-30W

**EAID06**

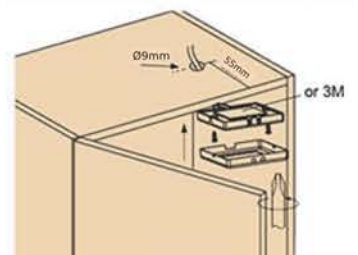
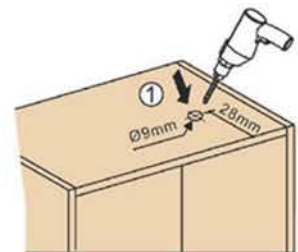
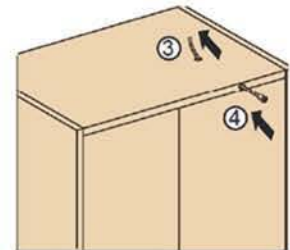
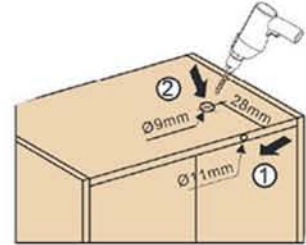
**Features:**

- Double door sensor switch
- Dimension: 30mmx23mmx7.5mm
- Working voltage: 12V-24V
- Current loading: Max 3A
- Sensor range: 30-80mm (Brown board)
- Standby power: 0.2W
- Installation: Surface mounted
- Power: 12V-30W

**EAID03**

**Features:**

- Single door sensor switch
- Dimension: 50mmx50mmx7.5mm
- Working voltage: 12V-24V
- Current loading: Max 3A
- Sensor range: 30-80mm (Brown board)
- Standby power: 0.2W
- Installation: Surface mounted
- Power: 12V-30W

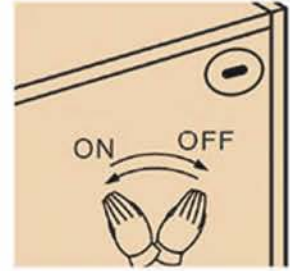




**EAIH01**

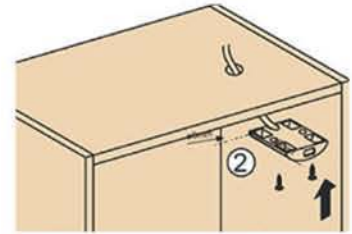
**Features:**

- Dimension: Ø15mmx12mm
- Working voltage: 12V-24V
- Current loading: Max 3A
- Sensor range: 30-100mm (Brown board)
- Standby power: 0.2W
- Installation: Recessed mounted
- Power: 12V-30W


**EAIH02**

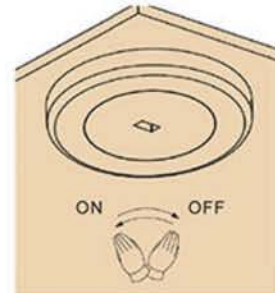
**Features:**

- Dimension: 30mmx23mmx7.5mm
- Working voltage: 12V-24V
- Current loading: Max 3A
- Sensor range: 30-100mm (Brown board)
- Standby power: 0.2W
- Installation: Surface mounted
- Power: 12V-30W


**EAIH03**

**Features:**

- Dimension: Ø55mmx8mm
- Working voltage: 12V-24V
- Current loading: Max 3A
- Sensor range: 30-100mm (Brown board)
- Standby power: 0.2W
- Installation: Surface mounted
- Power: 12V-30W


**EAIH04**

**Features:**

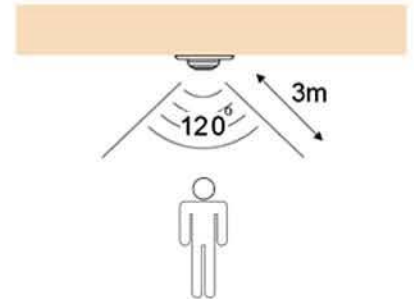
- Dimension: 50mmx50mmx8mm
- Working voltage: 12V-24V
- Current loading: Max 3A
- Sensor range: 30-100mm (Brown board)
- Standby power: 0.2W
- Installation: Surface mounted
- Power: 12V-30W



**EAPR01**

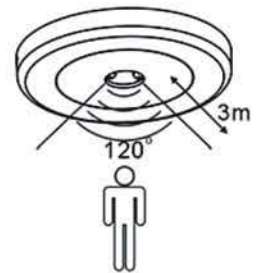
**Features:**

- Dimension: Ø18mmx12mm
- Working voltage: 12V-24V
- Bearing loading: Max 3A
- Inductive distance: Max 3m
- Standby power: 0.01W
- Installation: Recessed mounted
- Power: 12V-30W


**EAPR02**

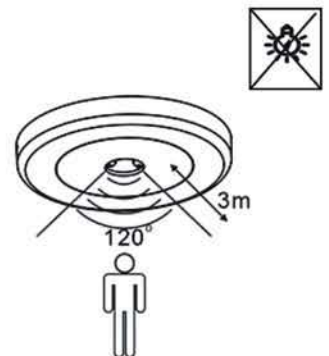
**Features:**

- Dimension: Ø55mmx8mm
- Working voltage: 12V-24V
- Bearing loading: Max 3A
- Inductive distance: Max 3m
- Standby power: 0.01W
- Installation: Recessed mounted
- Power: 12V-30W


**EAPR02S**  
 Light Sensor

**Features:**

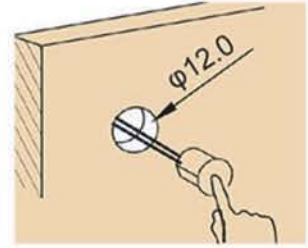
- Dimension: Ø55mmx8mm
- Working voltage: 12V-24V
- Bearing loading: Max 3A
- Inductive distance: Max 3m
- Standby power: 0.01W
- Installation: Recessed mounted
- Working environment: Dark scene
- Power: 12V-30W



**EATS01**

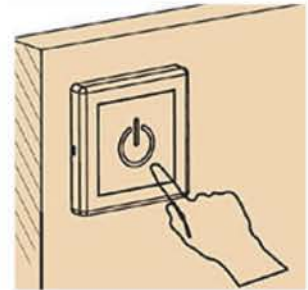
**Features:**

- Dimension:  $\varnothing 15\text{mm} \times 25\text{mm}$
- Working voltage: 12V-24V
- Bearing current: Max 3A
- The way of dimmer: 1 Switch, 2 Subsection, 3 circulation
- Standby power: 0.01W
- Installation: Recessed mounted
- Power: 12V-30W


**EATS02**

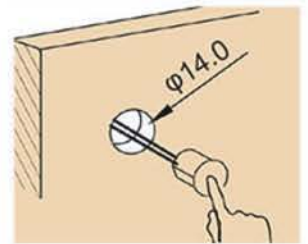
**Features:**

- Dimension: 50mmx50mmx8mm
- Working voltage: 12V-24V
- Bearing current : Max 3A
- The way of dimmer: 1 Switch, 2 Subsection, 3 circulation
- Standby power: 0.01W
- Installation: Surface mounted
- Power: 12V-30W


**EATS03**

**Features:**

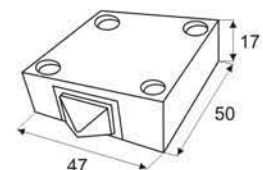
- Dimension:  $\varnothing 18\text{mm} \times 26\text{mm}$
- Working voltage: 12V-24V
- Bearing current : Max 3A
- The way of dimmer: 1 Switch, 2 Subsection, 3 circulation
- Standby power: 0.01W
- Installation: Recessed mounted
- Power: 12V-30W

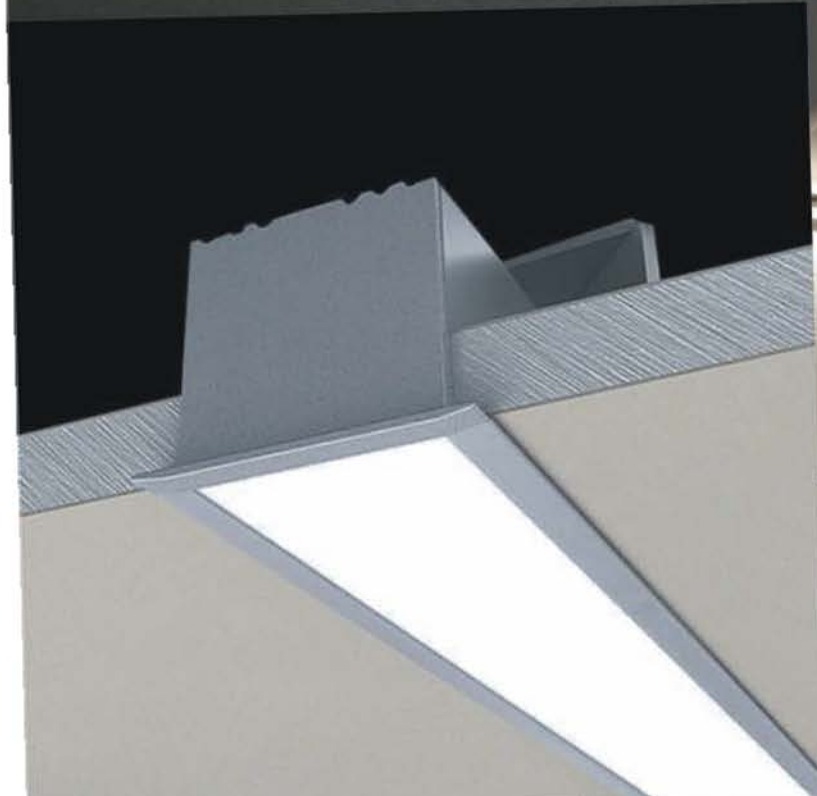

**EAID13**

Built in switch universal push button


**Features:**

- 240V-AC
- Material: Plastic
- Finish: Black





**Aluminium Profile Series**
**EAAP09**

**Features:**

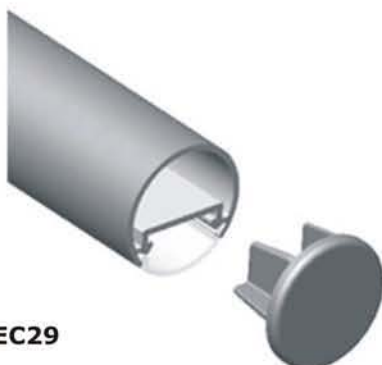
- Length can be customized
- High quality PC cover make light more homogenous

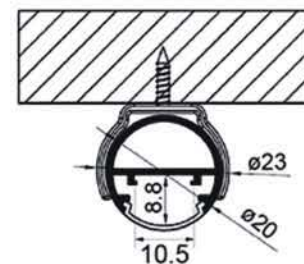
**Application:**

- Furniture lighting, store shelf lighting, window display light

**Specification:**

Material	Surface	Cover	Size(mm)	Clip	Installation	End Cap	PCB Width	Length (m)
AL6063	Anodized Aluminium	Milky Frosted	Ø20	EASM29	Surface mounted	EAEC29	≤10mm	0.3-2.5

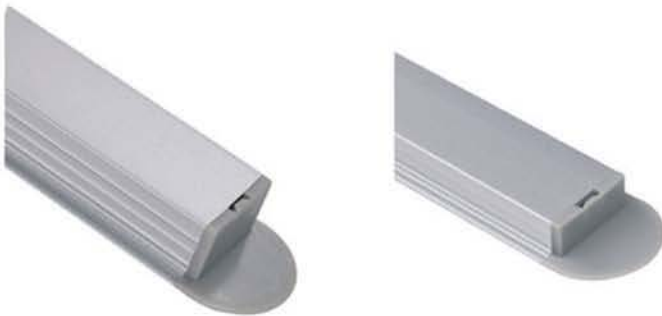

**End Cap**

**EAEC29**
**Cover**
**Milky, Frosted**

**EASM29**


Aluminium Profile Series

EAAP21

EAAP25



**Features:**

- Length can be customized
- High quality PC cover make light more homogenous
- Exquisite makes wider range of use than the others

**Application:**

- Furniture lighting, store shelf lighting, window display light

**Specification:**

Item no.	Material	Surface	Cover	Size(mm)	Clip	Installation	End Cap	PCB Width	Length (m)
EAAP21	AL6063	Anodized Aluminium	Milky Frosted	23x13	EASM12 EASM13	Recessed mounted	EAEC11	≤12mm	0.5-2.5
EAAP25				23x8.5			EAEC17		



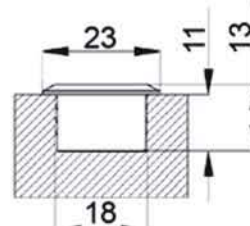
**End Cap**



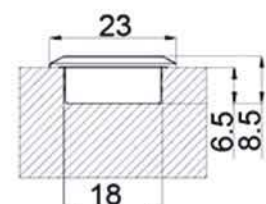
EAEC11

EAEC17

**Cover**



EAAP21 Dimension



EAAP25 Dimension

EASM12		90° Clip	EASM13		45° Clip
--------	--	----------	--------	--	----------

Aluminium Profile Series

EAAP22

EAAP24



**Features:**

- Length can be customized
- High quality PC cover make light more homogenous
- Exquisite makes wider range of use than the others

**Application:**

- Furniture lighting, store shelf lighting, window display light

**Specification:**

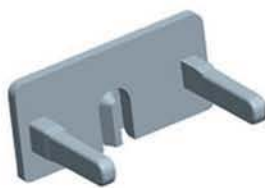
Item no.	Material	Surface	Cover	Size(mm)	Clip	Installation	End Cap	PCB Width	Length (m)
EAAP22	AL6063	Anodized Aluminium	Milky Frosted	13x18	EASM12 EASM13	Surface mounted	EAEC12	≤12mm	0.5-2.5
EAAP24				8.5x18			EAEC18		



**End Cap**



EAEC12



EAEC18

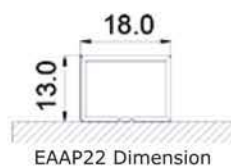
**Cover**



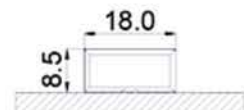
Frosted



Milky



EAAP22 Dimension



EAAP24 Dimension

EASM12		90° Clip	EASM13		45° Clip
--------	--	----------	--------	--	----------

### Aluminium Profile Series

EAAP28



EAAP29



EAAP58



**Features:**

- Length can be customized
- High quality PC cover make light more homogenous
- Exquisite makes wider range of use than the others

**Application:**

- Furniture lighting, store shelf lighting, window display lighting

**Specification:**

Item no.	Material	Surface	Cover	Size	Clip	Installation	End Cap	PCB Width	Length
EAAP28	AL6063	Anodized Aluminium	Milky	18x18	EASM12 EASM13	Surface Mounted	EAEC14	≤12mm	0.5-2.5
EAAP29			Milky	17.5x18			EAEC15		
EAAP58			Milky	21.5x18			EAEC59		



**End Cap**



EAEC14



EAEC15



EAEC59

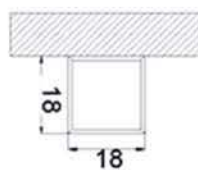


EAEC59

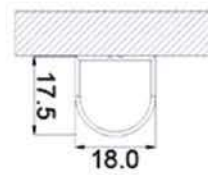
**Cover**



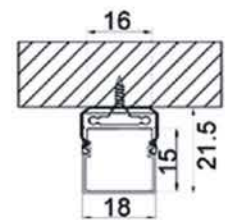
Milky



EAAP28 Dimension



EAAP29 Dimension



EAAP58 Dimension

EASM12		90° Clip	EASM13		45° Clip
--------	--	----------	--------	--	----------



## Aluminium Profile Series

### EAAP45



#### Features:

- Length can be customized
- High quality PC cover make light more homogenous
- Exquisite makes wider range of use than the others

#### Application:

- Furniture lighting, store shelf lighting, window display lighting

Finish: Silver, Black

#### Specification:

Material	Surface	Cover	Size (mm)	Installation	End Cap	PCB Width	Length (m)
Al6063	Anodized Aluminium	Milky Frosted	8x12	Surface Mounted	EAEC45	≤12mm	0.5-2.5



#### End Cap



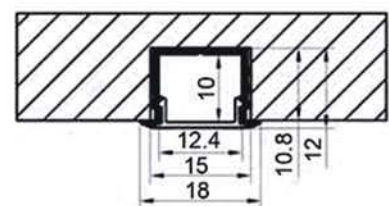
EAEC45

EAEC45

#### Cover

Milky

Frosted



EAAP45 Dimension

## Aluminium Profile Series

### EAAP61



#### Features:

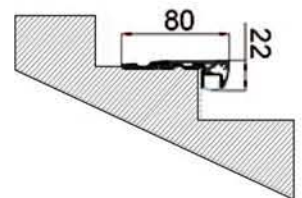
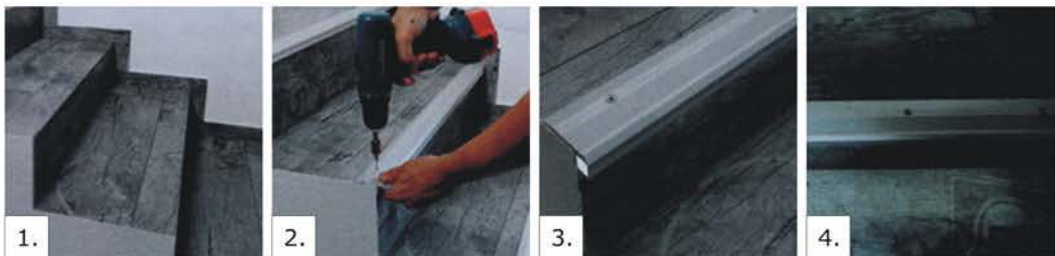
- Length can be customized
- Nice appearance, anti-skid
- High quality PC cover make light more homogenous
- Exquisite makes wider range of use than the others

#### Application:

- The stair lighting

#### Specification:

Material	Surface	Cover	Size (mm)	Installation	PCB Width	Length (m)
AL6063	Anodized Aluminium	Milky Frosted	80x22	Surface Mounted	≤10mm	0.5-2.5



#### Cover



## Aluminium Profile Series

### EAAP51



#### Features:

- Length can be customized
- High quality PC cover make light more homogenous
- Exquisite makes wider range of use than the others

#### Application:

- Furniture lighting, store shelf lighting, window display lighting

#### Specification:

Material	Surface	Cover	Size (mm)	Installation	End Cap	PCB Width	Length (m)
Al6063	Anodized Aluminium	Milky Frosted	22x5	Recessed Mounted	EAEC45	≤11mm	0.5-2.5



#### End Cap

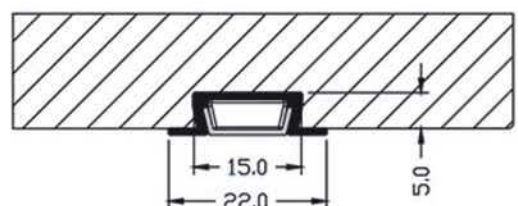


### EAEC45

#### Cover

Milky

Frosted



## Aluminium Profile Series

### EAAP44



#### Features:

- Length can be customized
- High quality PC cover make light more homogenous
- Exquisite makes wider range of use than the others

#### Application:

- Furniture lighting, store shelf lighting, window display lighting

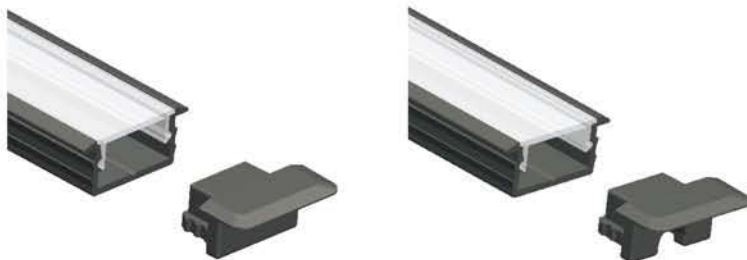
Finish: Silver, Black

#### Specification:

Material	Surface	Cover	Size (mm)	Installation	End Cap	PCB Width	Length (m)
Al6063	Anodized Aluminium	Milky Frosted	18x8	Recessed Mounted	EAEC44	≤12mm	0.5-2.5



#### End Cap



EAEC45

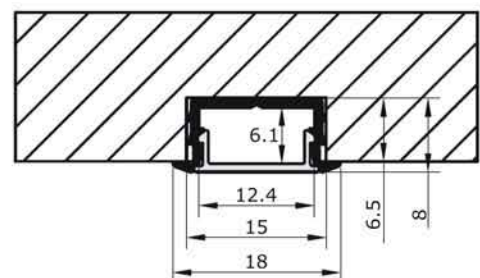
EAEC45

#### Cover

Milky



Frosted



**Aluminium Profile Series**
**EAAP46**

**Features:**

- Length can be customized
- High quality PC cover make light more homogenous
- Exquisite makes wider range of use than the others

**Application:**

- Furniture lighting, store shelf lighting, window display lighting

Finish: Silver, Black

**Specification:**

Material	Surface	Cover	Size(mm)	Installation	End Cap	PCB Width	Length (m)
AL6063	Anodized Aluminium	Milky Forsted	15x9.5	Surface mounted	EAEC46	≤11mm	0.5-2.5

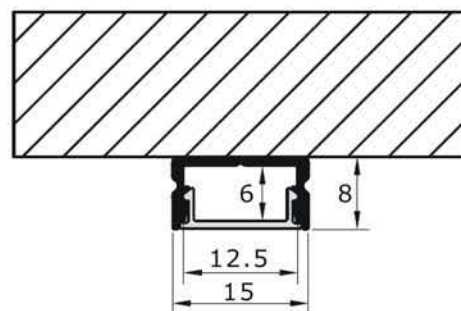

**End Cap**

**EAEC46**
**Cover**


Frosted



Milky



### Aluminium Profile Series

EAAP23

EAAP59



**Features:**

- Length can be customized
- High quality PC cover make light more homogenous
- Exquisite makes wider range of use than the others

**Application:**

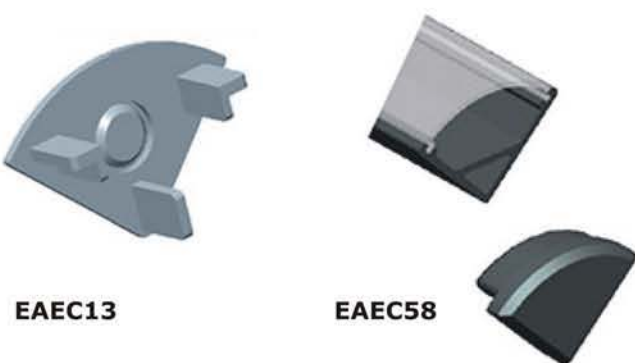
- Furniture lighting, store shelf lighting, window display light

**Specification:**

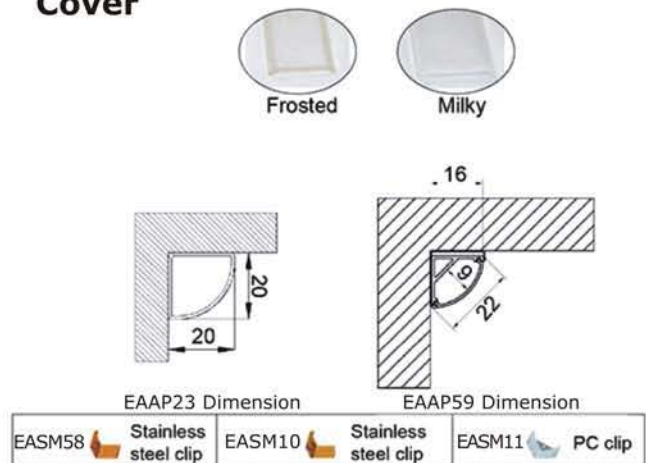
Item no.	Material	Surface	Cover	Size(mm)	Clip	Installation	End Cap	PCB Width	Length (m)
EAAP23	AL6063	Anodized Aluminium	Milky	20x20	EASM10 EASM11	Surface mounted	EAEC13	≤12mm	0.5-2.5
EAAP59				22x16	EASM58		EAEC28		



**End Cap**



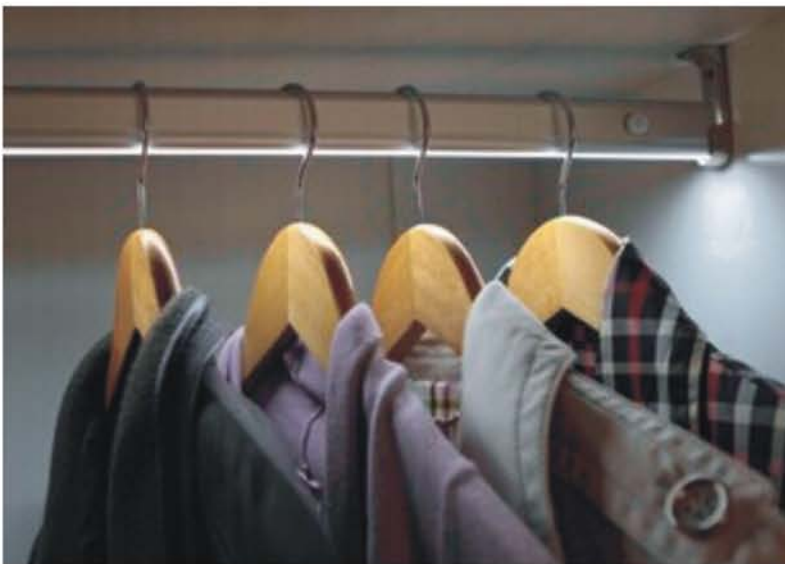
**Cover**



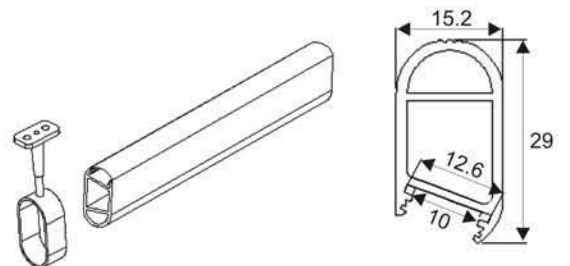
**Aluminium Profile Series**
**EAAP16**

**Features:**

- Material: AL6063-T5
- Recess: Anodized aluminium
- PC Cover: Frost, Transparent, Milky
- Installation: Mounted with stainless steel holder
- Range width: Within 12mm
- Available length: 0.5m~2.5m

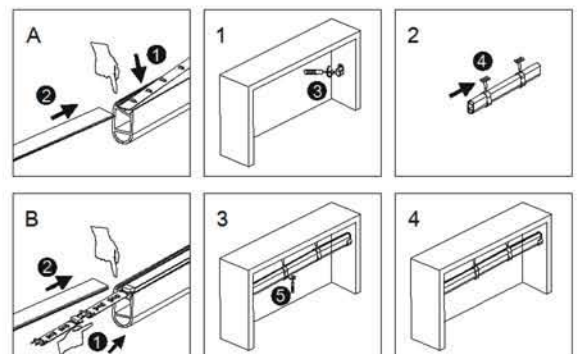

**Accessory:**

Item NO	Description	Picture
EASM09	Rail Support	
EASM08	Rail Support	


**Cover: Frost**

**Applications:**

Indoor / Furniture / Store shelf / Window display / Exhibition booth / Cove / Bias



## Aluminium Profile Series

EAAP70



**Features:**

- 5mm Shining upward and downwards for rear board
- Perfect for 18mm thick board
- Comes with 3M VHB tape, easy installation

**Application:**

- For shelves, display cabinet, kitchen, cabinet wine cabinet, etc

Finish: Silver, Black

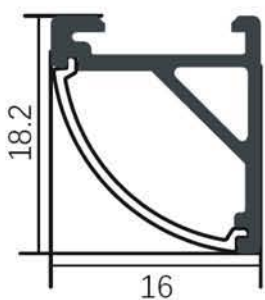


**Specification:**

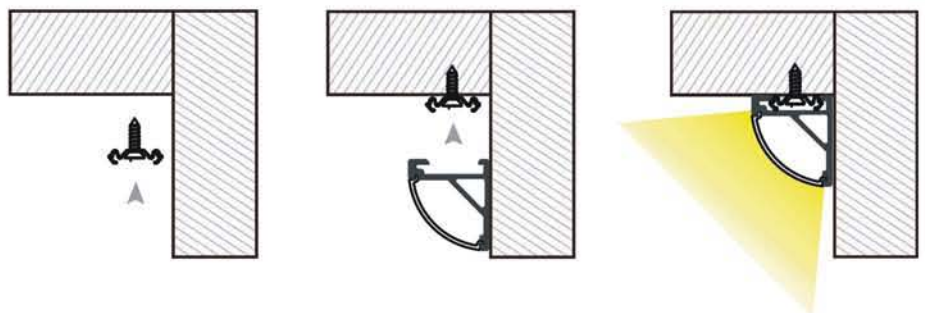
Voltage	Power	CRI	Lumen	CCT	Installation	PCB Width	Length (m)
DC12V	5W	CRI>90	500Lm	3000K 4000K 6000K	3M VHB tape	≤8mm	Customised



**Dimensions**



**Installation**





## Aluminium Profile Series

**EAAP72**

**Features:**

- 8mm Ultra-thin design, only 8mm without edge
- Anodised surface, fine and superior
- Simple design, smooth surface without any slot
- Colors are available in silver, black and champagne gold

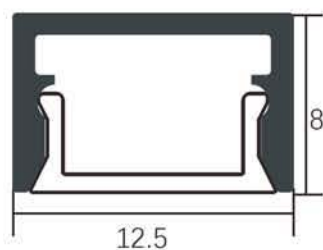
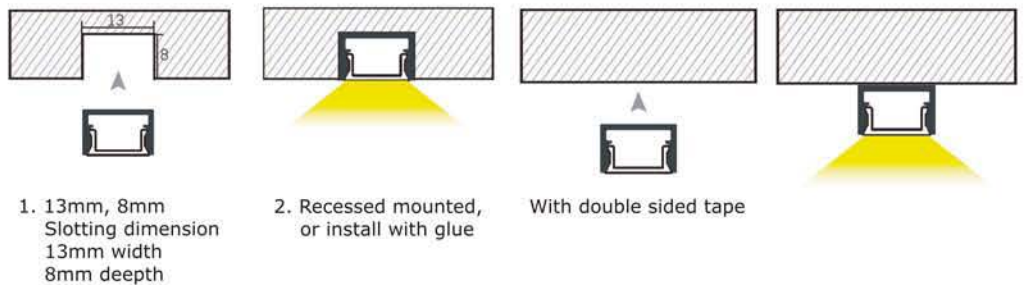
**Application:**

- For shelves, display cabinet, kitchen, cabinet wine cabinet, etc

**Finish: Silver, Black, Champagne Gold**

**Specification:**

Voltage	Power	CRI	Lumen	CCT	Installation	PCB Width	Length (m)
DC12V	10W/m	CRI>90	500Lm/m	3000K 4000K 6000K	Recessed or Surface Mounted	≤8mm	Customised


**Dimensions**

**Installation**


**Aluminium Profile Series**
**EAAP72B**

**Features:**

- No visible light dots, Uniform and soft
- Suitable for 6-8mm thick plate glass or acrylic plate
- Anodised surface, fine and superior
- PC cover for straight glowing is available

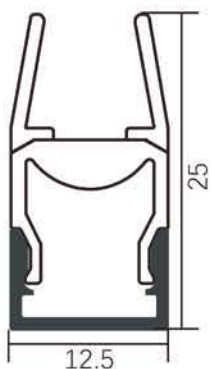
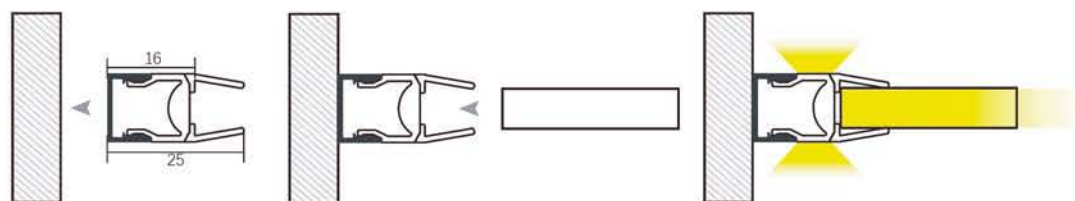
**Application:**

- For display cabinet, glass board cabinet, wine cabinet, etc

**Finish: Silver, Black, Champagne Gold**

**Specification:**

Voltage	Power	CRI	Lumen	CCT	Installation	PCB Width	Length (m)
12V	5W/m	CRI>90	215Lm/m	3000K 4000K 6000K	clamp the glass	≤8mm	Customised


**Dimensions**

**Installation**


1. Cut 16mm width of the glass board

2. 6-8mm Thickness of glass board

3. Clamp the glass, or fix with double side tape

**Aluminium Profile Series**
**EAAP72H**

**Features:**

- No visible light dots, Uniform and soft
- Suitable for 6-8mm thick plate glass or acrylic plate
- Anodised surface, fine and superior
- PC cover for straight glowing is available

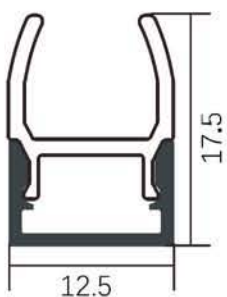
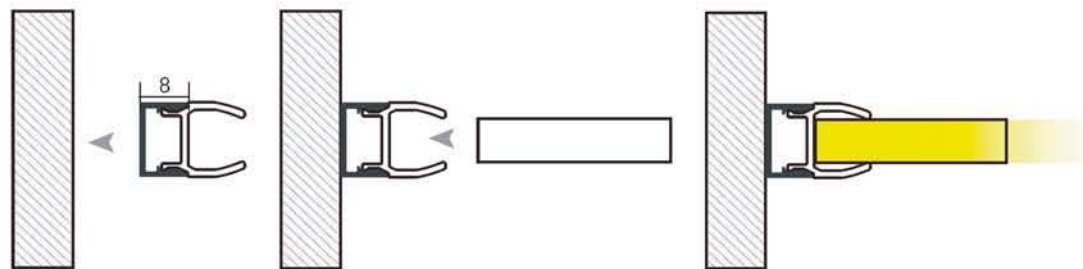
**Application:**

- For display cabinet, glass board cabinet, wine cabinet, etc

**Finish: Silver, Black, Champagne Gold**

**Specification:**

Voltage	Power	CRI	Lumen	CCT	Installation	PCB Width	Length (m)
12V	5W/m	CRI>90	200Lm/m	3000K 4000K 6000K	Clamp the glass	≤8mm	Customised


**Dimensions**

**Installation**


1. Cut 16mm width of the glass board

2. 6-8mm Thickness of glass board

3. Clamp the glass, or fix with double sided tape

## Aluminium Profile Series

EAAP82



### Features:

- 45° angle shines into the cabinet
- Recessed lighting for superior luminous effect
- Aluminium material with solid weight
- Colors are available in silver, black, and champagne gold

### Application:

- For display cabinet, glass board cabinet, wine cabinet, wardrobe, etc

Finish: Silver, Black, Champagne Gold

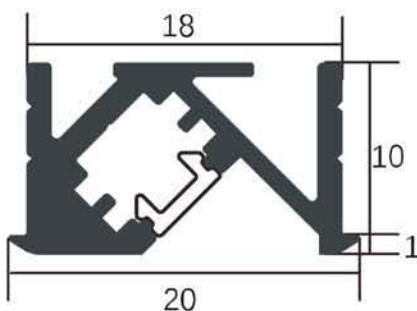


### Specification:

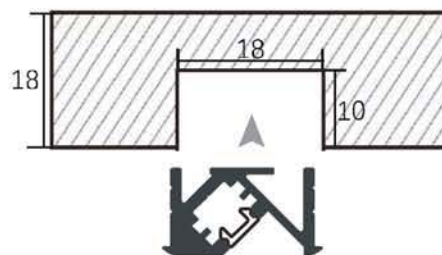
Voltage	Power	CRI	Lumen	CCT	Installation	PCB Width	Length (m)
12V	5W/m	CRI>90	350Lm/m	3000K 4000K 6000K	Recessed mounted	≤5mm	Customised



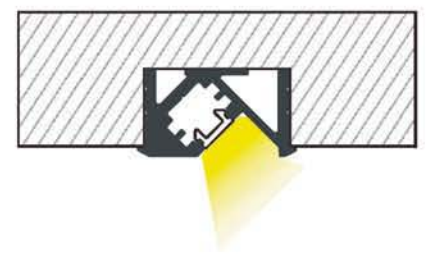
### Dimensions



### Installation



1. Slotting dimensions 18mm width  
10mm Depth



2. Recessed mounted, or install with glue

## Aluminium Profile Series

**EAAP83**

**Features:**

- Clamping the front of the 18mm thick board, 45° angle shines into the cabinet
- Recessed lighting for superior luminous effect
- Aluminium material with solid weight
- Colors are available in silver, black, and champagne gold

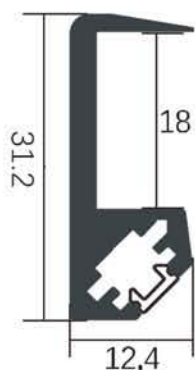
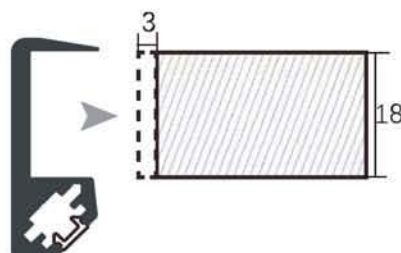
**Application:**

- For display cabinet, glass board cabinet, wine cabinet, etc

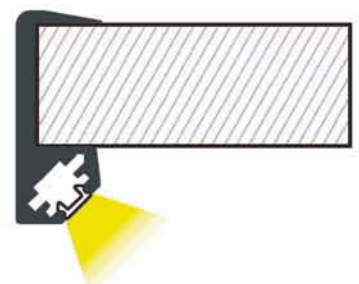
**Finish: Silver, Black, Champagne Gold**

**Specification:**

Voltage	Power	CRI	Lumen	CCT	Installation	PCB Width	Length (m)
12V	5W/m	CRI>90	500Lm/m	3000K 4000K 6000K	Clamp the board	≤5mm	Customised


**Dimensions**

**Installation**


1. Cut 3mm thick of the board to parallel other boards



2. Clamp 18mm thick board, or install with blue

## Aluminium Profile Series

EAAP86



**Features:**

- Ultra-narrow luminous surface, only 5mm width
- Ultra-thin 0.6mm thick edge, easy to hide and install
- No visible light dots, uniform and soft lighting
- Colors are available in silver, black, and champagne gold

**Application:**

- For display cabinet, kitchen cabinet, wardrobe, wine cabinet, etc

Finish: Silver, Black, Superior Champagne Gold

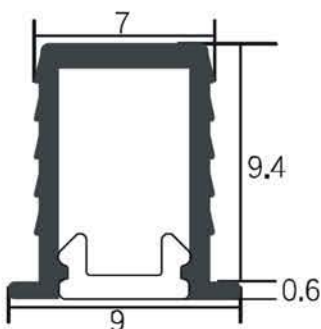


**Specification:**

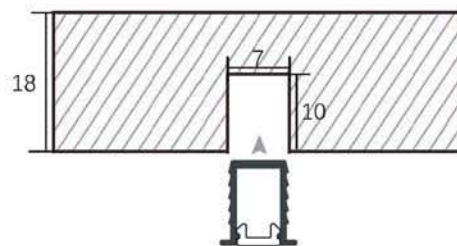
Voltage	Power	CRI	Lumen	CCT	Installation	PCB Width	Length (m)
12V	5W/m	CRI>90	500Lm/m	3000K 4000K 6000K	Clamp the board	≤5mm	Customised



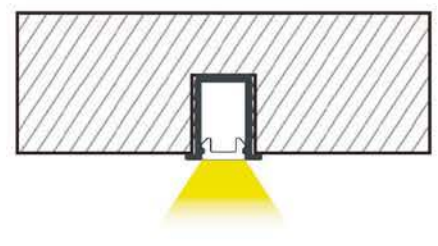
**Dimensions**



**Installation**



1. Slotting dimension 18mm width 8mm depth



2. Recessed mounted, or install with glue

## Aluminium Profile Series

EAAP87



**Features:**

- Ultra-thin design, Slot depth is only 5mm
- PC cover is snap fit
- Hand wave sensor is available
- Anodised surface, fine and superior colors are available in silver and black

**Application:**

- For display cabinet, kitchen cabinet, wardrobe, etc

Finish: Silver, Black

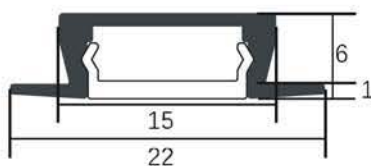


**Specification:**

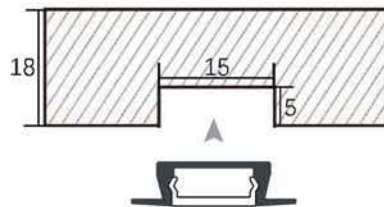
Voltage	Power	CRI	Lumen	CCT	Installation	PCB Width	Length (m)
12V	5W/m	CRI>90	500Lm/m	3000K 4000K 6000K	3M VHB Tape	≤8mm	Customised



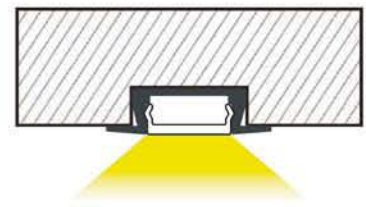
### Dimensions



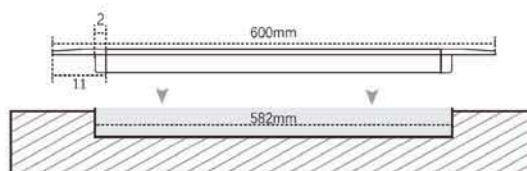
### Installation



1. Slotting dimension 15mm width  
5mm depth



2. Recessed mounted  
or install with glue



Slotting length is the total length of the light minus 18mm

## Aluminium Profile Series

EAAP89



**Features:**

- Use curvy design to guide light source, creating soft illumination
- Ultra-thin 8mm thick design for various applications
- Ultra thin 0.6mm tick edge, integrating with the cabinet
- Dedicate design for luxurious furniture style

**Application:**

- Ambient illumination. For display cabinet, Kitchen cabinet, wardrobe, wine cabinet, etc

Finish: Black, Superior Champagne Gold

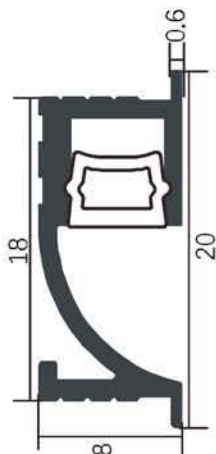


**Specification:**

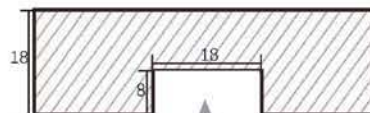
Voltage	Power	CRI	Lumen	CCT	Installation	PCB Width	Length (m)
12V	10W/m	CRI>90	350Lm/m	3000K 4000K 6000K	Recessed mounted	≤5mm	Customised



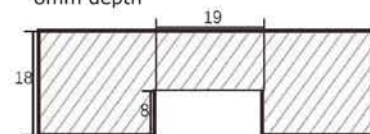
**Dimensions**



**Installation**



1. Slotting dimension 18mm width 8mm depth



1. Slotting dimension 18mm width 8mm depth



2. Recessed mounted, or install with glue



2. Install the elastic piece, and then insert it into the slot



## Aluminium Profile Series

EAAP90



**Features:**

- Shining upwards and downwards for rear board
- Perfect for 18mm thick board
- Comes with VHB 3M tape, easy installation
- No slot opening, punch on the PC cover

**Application:**

- Ambient illumination. For display cabinet, wardrobe, wine cabinet, bookshelf, etc

Finish: Black, Superior Champagne Gold

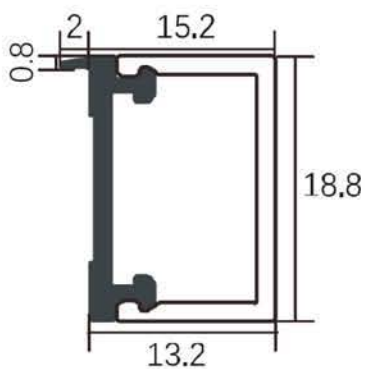


**Specification:**

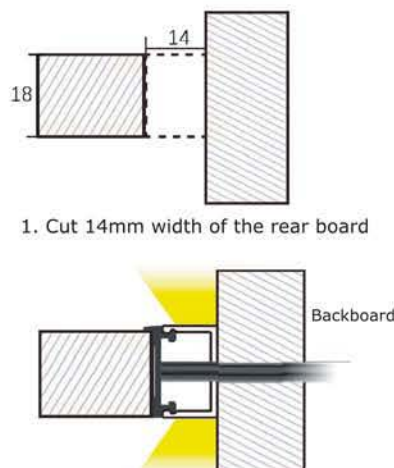
Voltage	Power	CRI	Lumen	CCT	Installation	PCB Width	Length (m)
12V	10W/m	CRI>90	550Lm/m	3000K 4000K 6000K	3M VHB tape	≤8mm	Customised



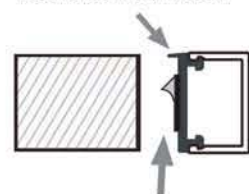
**Dimensions**



**Installation**



Edge for auxiliary fixation

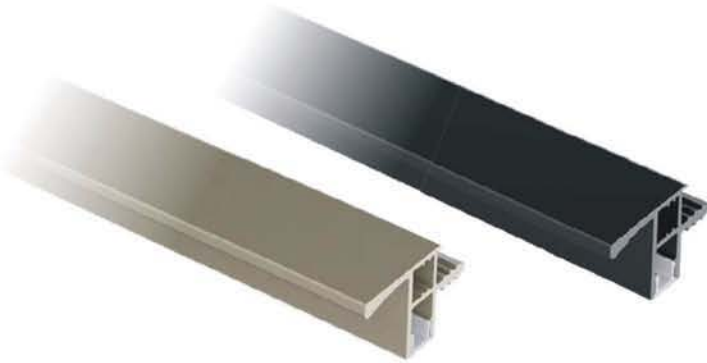


2. Split the VHB tape



Punch on the PC cover for wiring through back board

## Aluminium Profile Series

**EAAP91**

**Features:**

- Free handle design with curvy surface
- Ultra-thin design by matching with 5mm width light strip
- No visible light dots, uniform and soft lighting
- Suitable for 18mm thick board

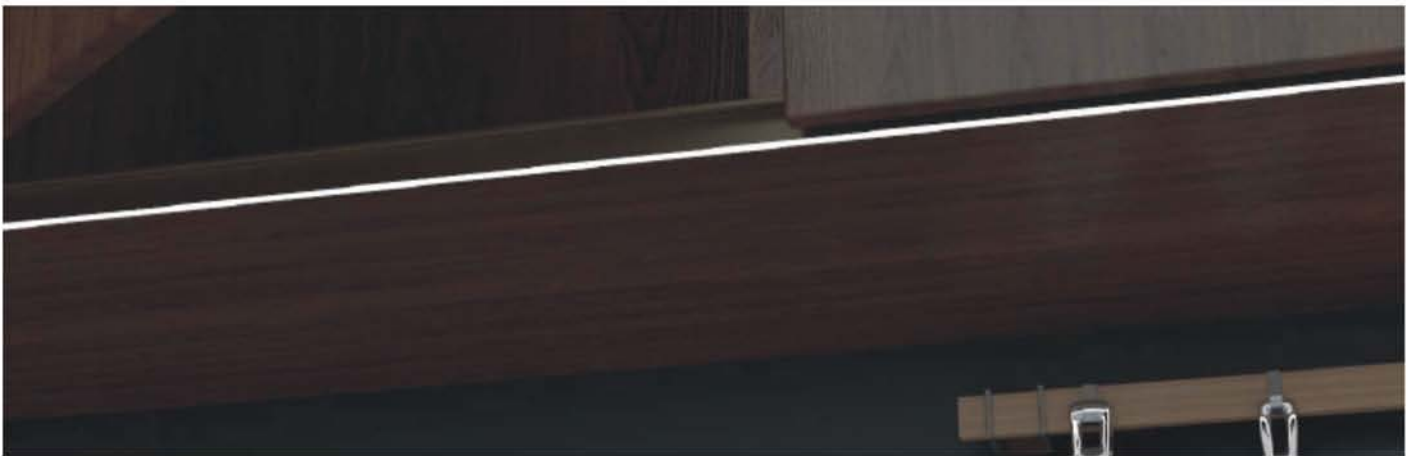
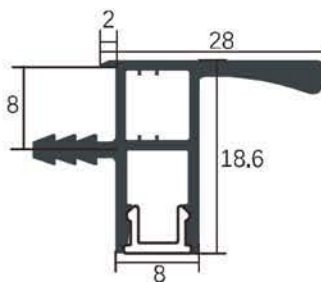
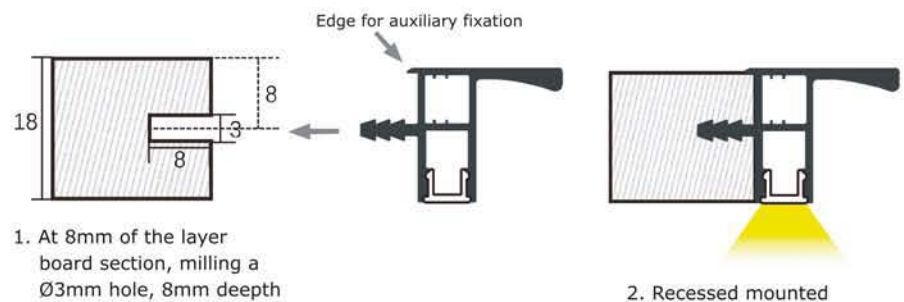
**Application:**

- For bottom board of wall cabinet and other cabinet width door

**Finish: Black, Superior Champagne Gold**

**Specification:**

Voltage	Power	CRI	Lumen	CCT	Installation	PCB Width	Length (m)
12V	10W/m	CRI>90	500Lm/m	3000K 4000K 6000K	Recessed mounted	≤5mm	Customised


**Dimensions**

**Installation**


## Aluminium Profile Series

**EAAP92**

**Features:**

- Thinnest part in only 1mm thick, comfortable touching with curve surface
- Hidden light design, 300 angle shines into the cabinet
- Comes with VHB 3M tape, easy installation
- Surface mounted with double sided tape, no slot opening

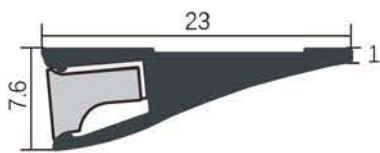
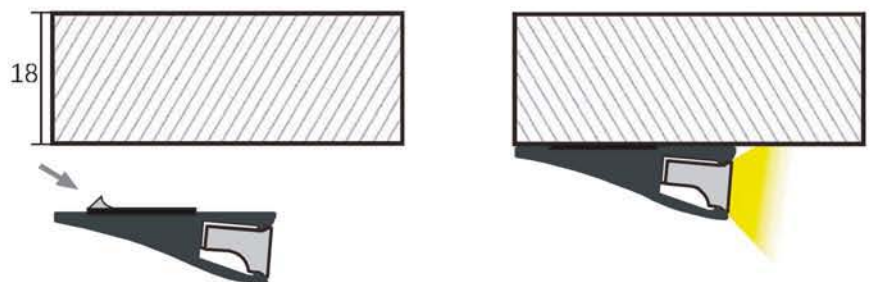
**Application:**

- Ambient illumination. suitable for wardrobe, cabinet, insular shelf, skirting, etc

**Finish: Black, Superior Champagne Gold**

**Specification:**

Voltage	Power	CRI	Lumen	CCT	Installation	PCB Width	Length (m)
12V	10W/m	CRI>90	350Lm/m	3000K 4000K 6000K	VHM 3M tape	≤5mm	Customised


**Dimensions**

**Installation**


1. Install in the front of the board with 3M VHB tape

## Aluminium Profile Series

EACV16



**Features:**

- PC cover contains the edge
- Hand wave sensor is available
- Can be used for decorative illumination

**Application:**

- For display cabinet, kitchen cabinet, wardrobe, etc

Finish: White, Black

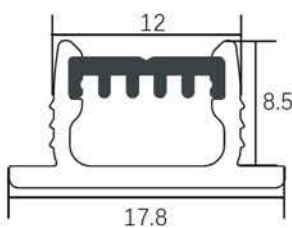


**Specification:**

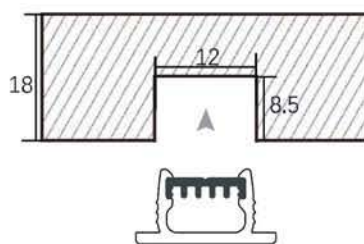
Voltage	Power	CRI	Lumen	CCT	Installation	PCB Width	Length (m)
12V	5W	CRI>90	500Lm/m	3000K 4000K 6000K	Recessed mounted	≤5mm	Customised



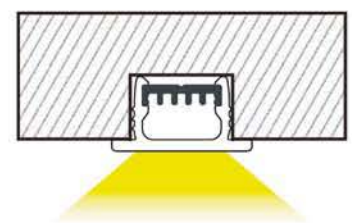
### Dimensions



### Installation



1. Slotting dimension 18mm width, 8mm deepth



2. Recessed mounted, or install with glue

**Aluminium Profile Series**
**EACV16**

**Features:**

- Full PC cover design
- High-quality matte surface treatment, excellent texture
- Embed the 8mm width light strip, easy and efficient
- Milky white and dark grey are available

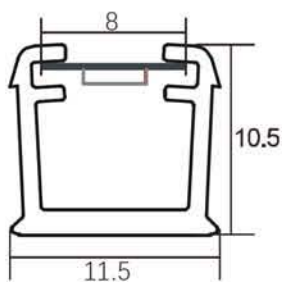
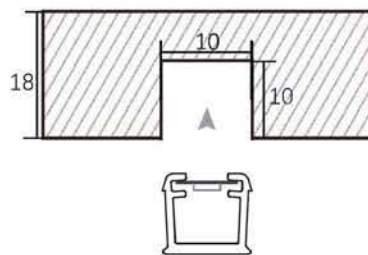
**Application:**

- Decorative illumination. For shopping center, hotel, living room, display cabinet, etc

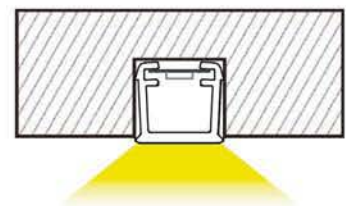
**Finish: White, Black**

**Specification:**

Voltage	Power	CRI	Lumen	CCT	Installation	PCB Width	Length (m)
12V	5W	CRI>90	500Lm	3000K 4000K 6000K	Recessed mounted	≤8mm	Customised


**Dimensions**

**Installation**


1. Slotting dimension 10mm width, 10mm depth



2. Recessed mounted

## Aluminium Profile Series

### EAAP48

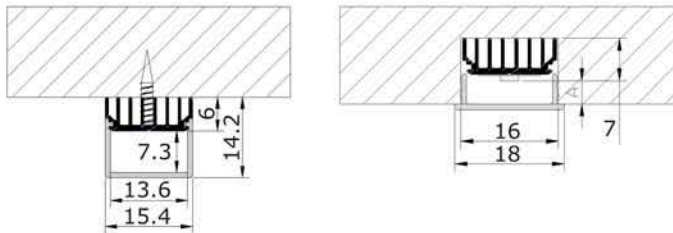


#### Features:

- Material: AL6063-T5
- Surface: Anodized aluminium
- PC Cover: Frost, Transparent, Milky
- Installation: Surface mounted with screw or clip
- Range width: Within 12mm
- Available length: 0.5m~2.5m

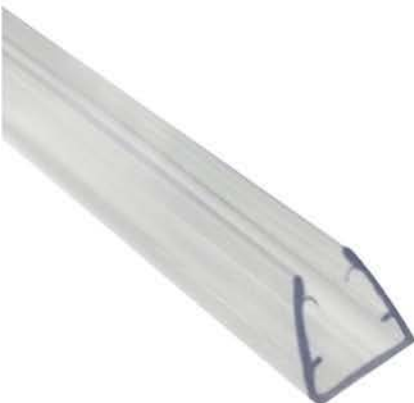
#### Applications:

Indoor / Furniture / Store shelf / Window display / Exhibition booth / Cove / Bias



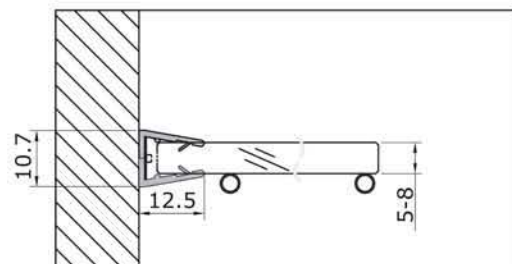
## Aluminium Profile Series

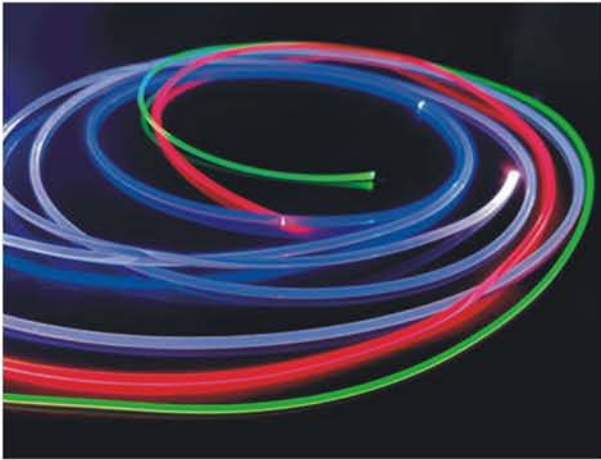
### EACV17



#### Applications:

Indoor / Furniture / Store shelf / Window display / Exhibition booth / Cove / Bias



**Color Ambient Lighting**
**EACL08**

**Features:**

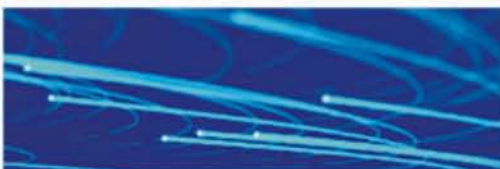
- High lumen efficiency with optical fiber of light
- Wire or wireless control design, single color or RGB color option

**Application:**

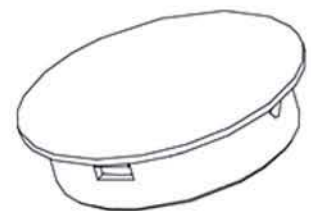
- Interior car, bedside, outline decoration etc

**Specification:**

Size (mm)	LED Chip	Power	Input	Installation	Installation
Ø40x13	1pcs 3535	1W	DC 12V	Red/Green/Blue/White/Yellow	Surface mounted Recessed mounted
59x45.5x10	1pcs 3535	2.5W	DC 5V	RGB	


**Light Bar**

**Light**


RGB Color



Single Color

**EAL806-6**

**EACC27**

**Specification:**

Item no.	EAL806-6	EACC27
Description	JST 6 way distributor box for DC 12V system	JST female/male plug for DC 12V system
Dimensions	41.5x38x10mm	Female (25x7x6mm)
		Male (15x5x2.6mm)

1. With the female and male DC12V connector system , it is easier to connect the LED driver and LED lamps, and extending distance from the LED driver to LED lamps ( the lead cable max 6M ).

2. With the 3/6 way paralleling distributor box, up to 2- 3/6 additional lights can be added from one LED driver.

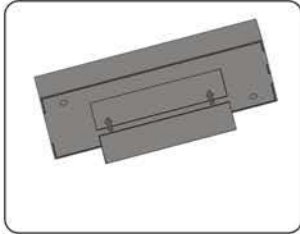
**EADR15 (12V-18W)**


Power output	18W
Input	100~240V,50~60HZ
Output	DC12V
Color	White/Black
Demension (LxWxHmm)	110x44.5x15mm

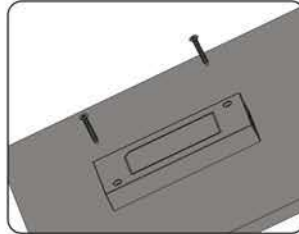
**EADR35 (12V-35W)**
**EADR60 (12V-60W)**


Item No.	EADR35-12V	EADR60-12V
Power output	35W	60W
Input	100~240V,50~60HZ	
Output	DC12V	DC12V
Color	White/Black	
Demension (LxWxHmm)	110x44.5x15mm	149x44.5x15mm

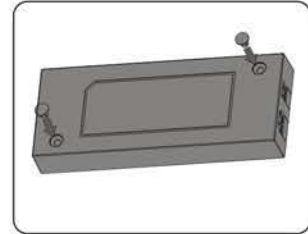


**LED Driver System**
**Installation Steps**
**1**


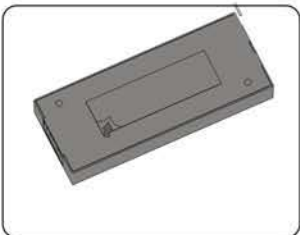
Post the 3M tape (0.4mm) on the bottom of the driver.

**1A**


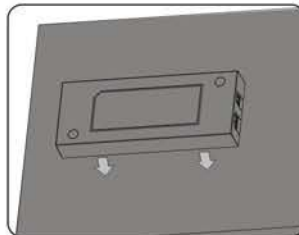
Fix the driver onto the suitable place with screws.

**2**


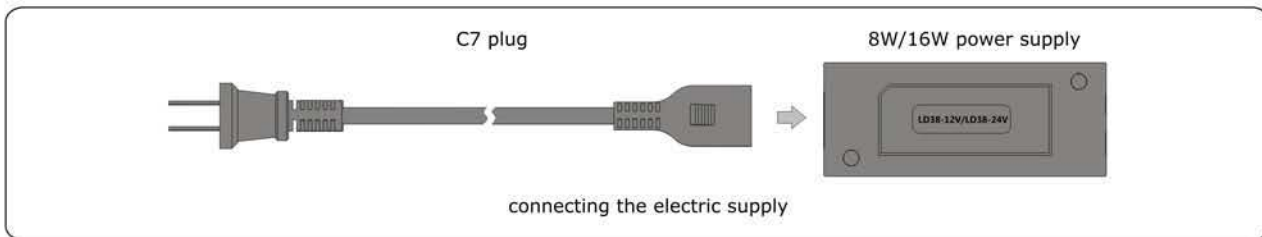
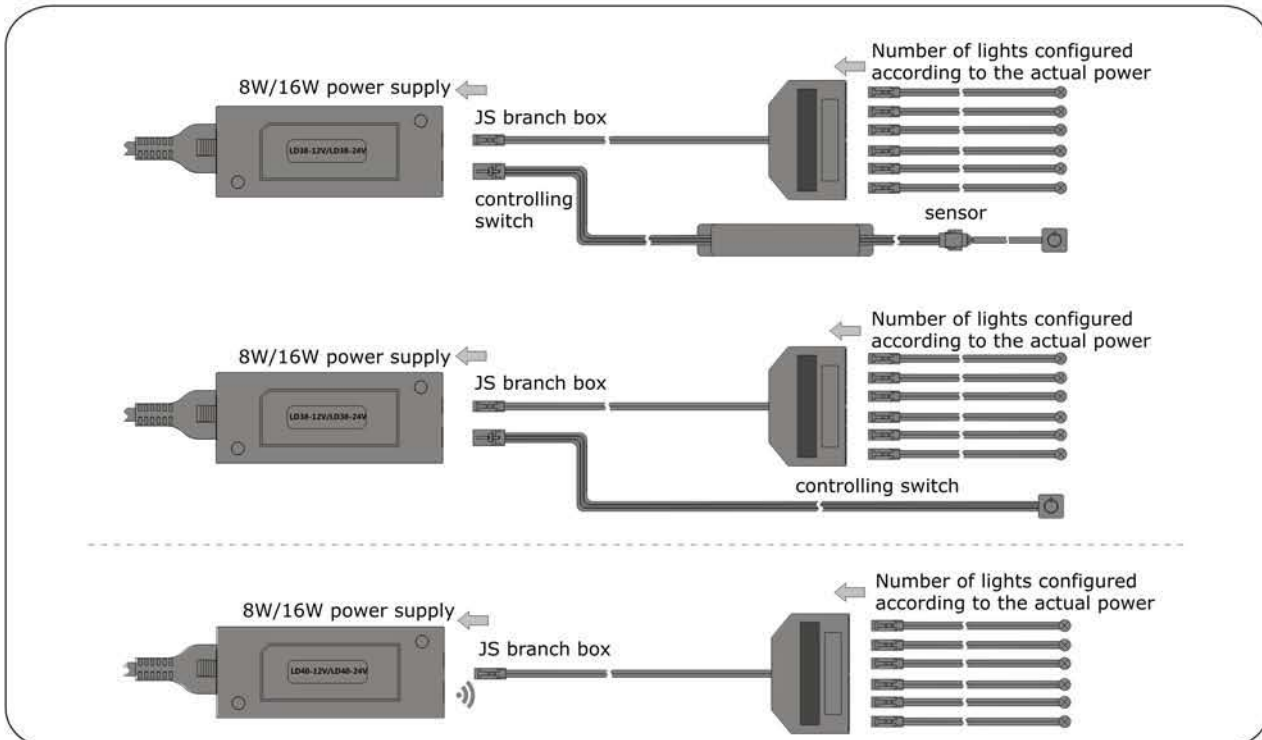
Press the screw caps into the screw holes on the top of the driver.

**3**


Tear off the protective foil of the adhesive tape.

**4**


Adhere the driver onto the proper position.

**5**

**6**


## Led Power Supply

**EALD40**

8W LED  
8W LED Power Supply


**EALD41**

18W LED  
18W LED Power Supply


**EALD42**

50W LED  
50W Ultra-thin LED Power Supply

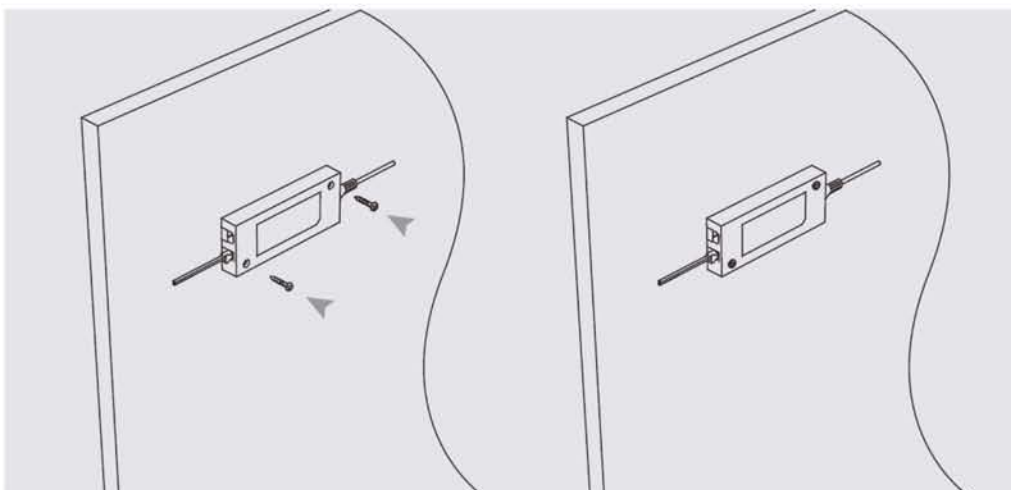

**EALD43**

90W LED  
90W Ultra-thin LED Power Supply

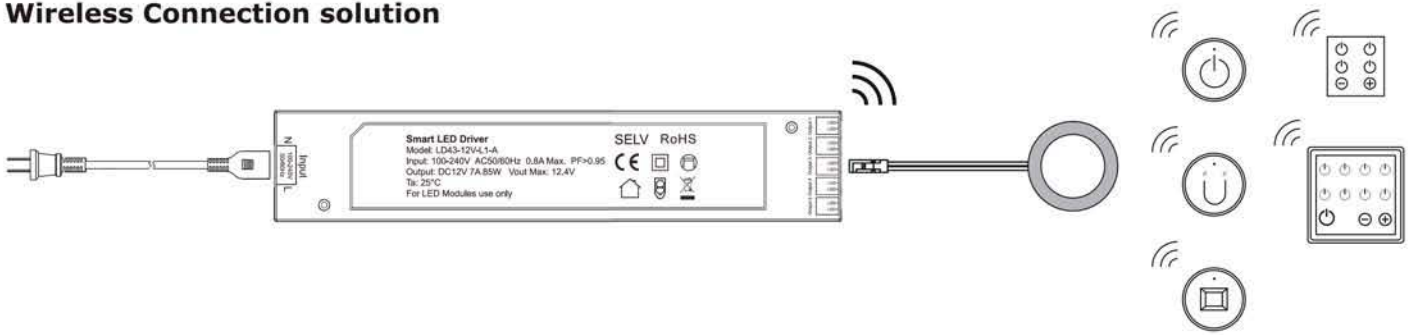


Item no.	Input Voltage	Output Voltage	Power	Interference Quantity	Dimension	Function options
EALD40	100-240V	12V	8W	1	111x44.5x15mm	Supporting wire & Dual color temperature control
EALD41	100-240V	12V	18W	1	149x44.5x15mm	
EALD42	100-240V	12V	50W	3	308x44x16mm	
EALD43	100-240V	12V	90W	5	308x60x16mm	

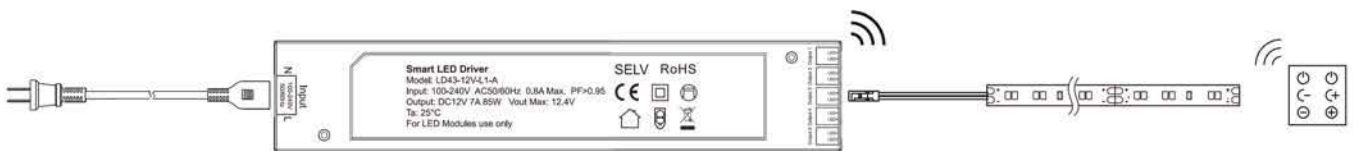
## Installation



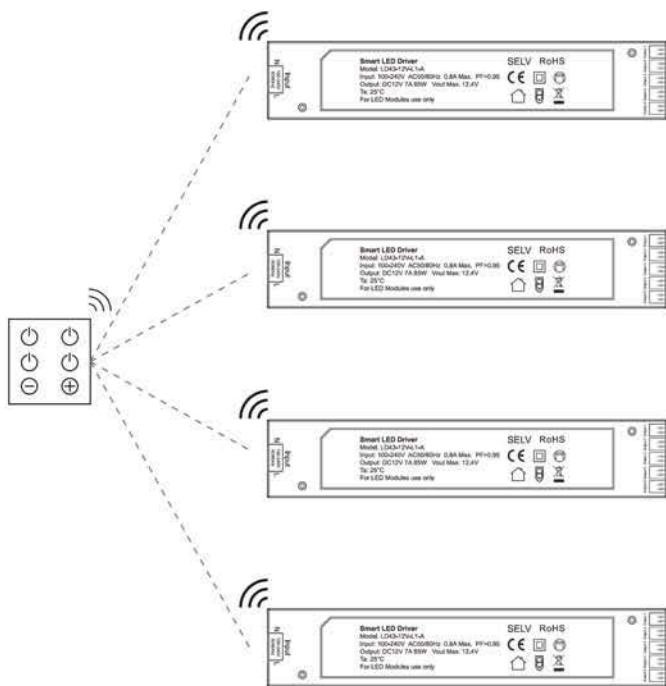
Wireless Connection solution



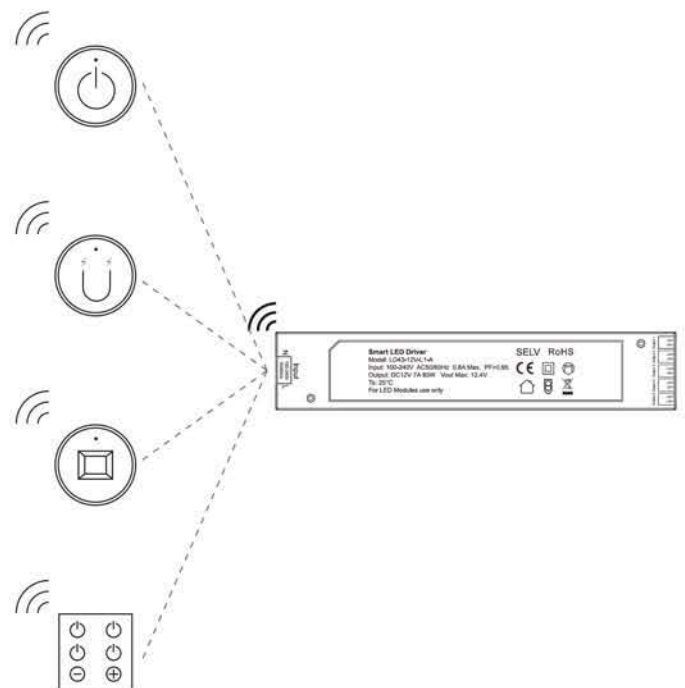
Wireless connection solution for multi white



One to many



Many to One



**Wireless Sensor Switches**


**EATS14**  
Wireless touch sensor switch



**EAPR08**  
Wireless P.I.R. sensor switch



**EAID11**  
Wireless door sensor switch (Magnetic)

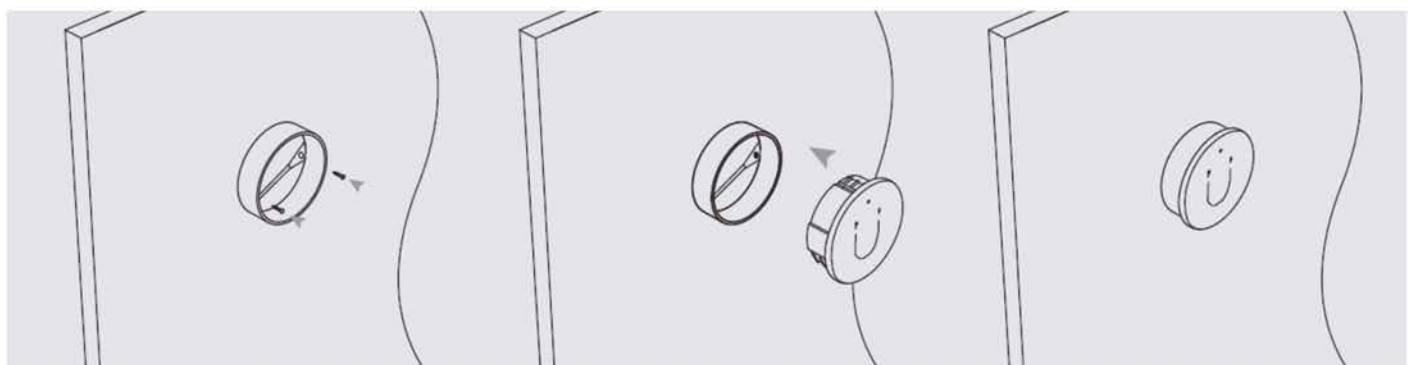
Item no.	Dimensions	Power supply	Control numbers	Battery working time
EATS14	Ø40xH16mm	CR3032 Battery	256 Power supplies	12-24 Months
EAPR08	Ø40xH16mm	CR3032 Battery	256 Power supplies	12-24 Months
EAID11	Ø40xH16mm	CR3032 Battery	256 Power supplies	12-24 Months

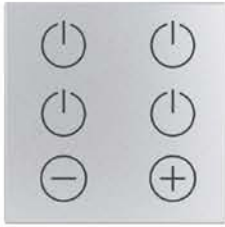
**Installation**

Recessed mounted

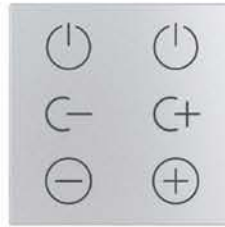


Surface mounted



**Wireless Sensor Switches**
**EATS15**

 Wireless dimmer touch pad  
(4 Channels)

**EATS24**

**EATS16**

 Wireless dual-CCT dimmer touch pad  
(2 Channels)

**EATS23**

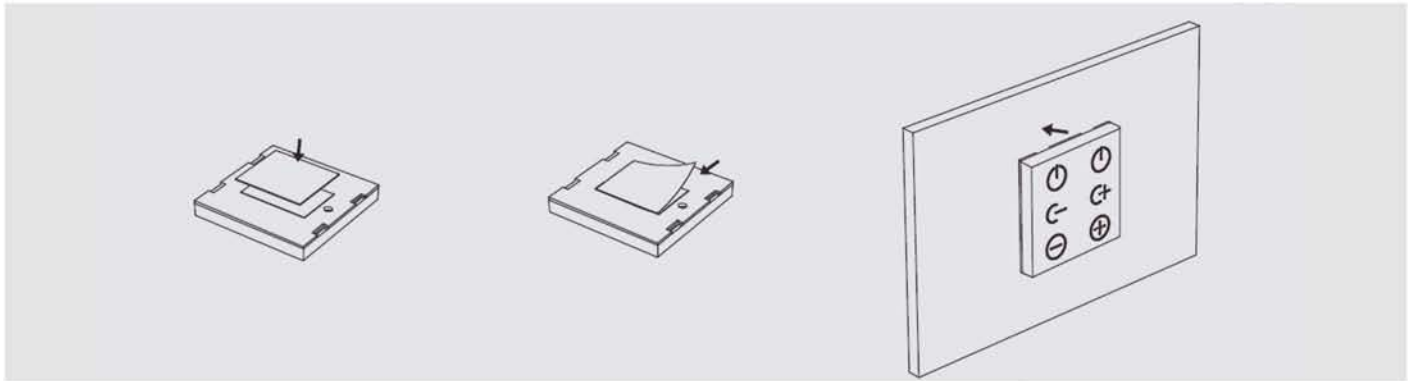
**EATS20**

 Wireless dimmer touch pad  
(8 Channels)

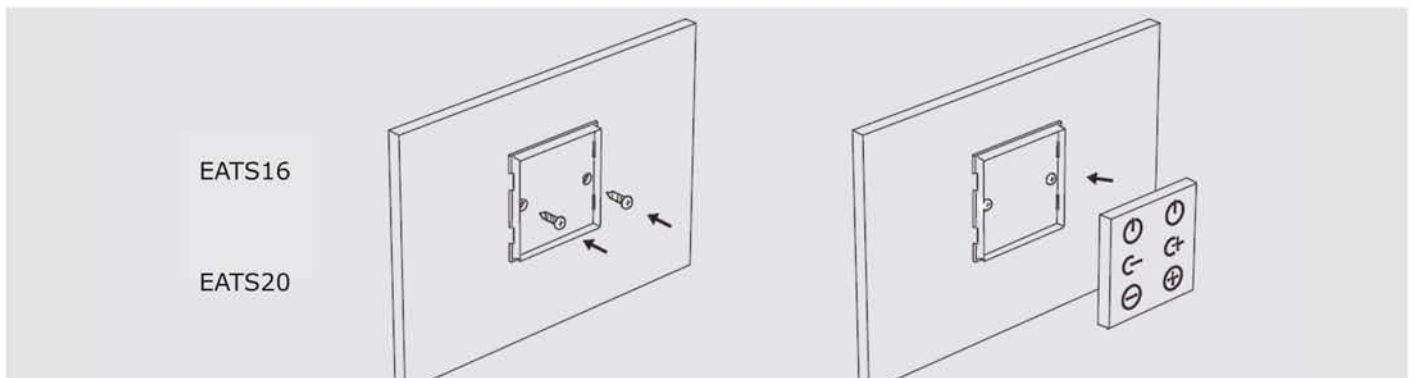
Item no.	Dimensions	Power supply	Control numbers	Battery working time
EATS15	51x51x6.7mm	CR3032 Battery	256 Power supplies	12-24 Months
EATS16	51x51x6.7mm	CR3032 Battery	256 Power supplies	12-24 Months
EATS23	86x40x6.5mm	CR2025 Battery	256 Power supplies	9-18 Months
EATS24	86x40x6.5mm	CR2025 Battery	256 Power supplies	9-18 Months
EATS20	100x100x7mm	5V - 24V	256 Power supplies	

**Installation**

Double sided tape fixed



Surface mounted



### Wireless Receivers



**EAWL01-A**



**EAWL01-B**



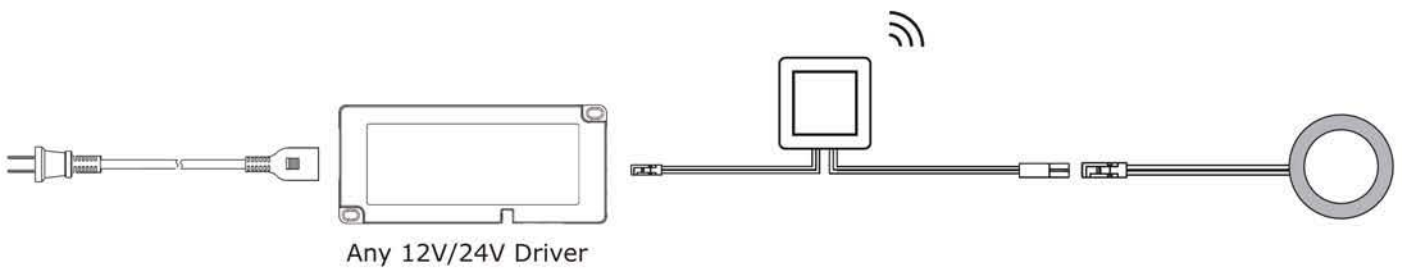
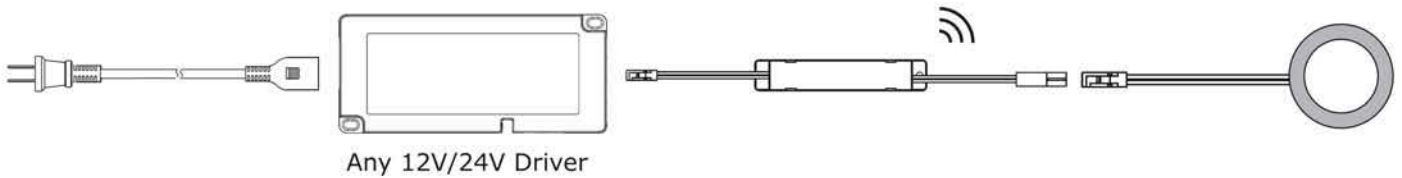
**EAWL02-12V**



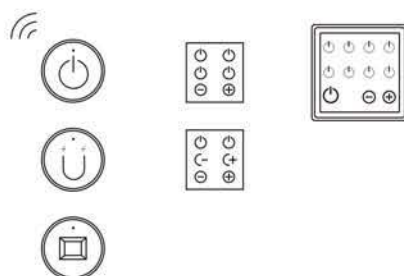
**EAWL02-24V**

Item no.	Dimensions	Power supply	Control numbers	Battery working time
EAWL01-A	86x15xH8mm	12-24V DC	60W/120W	Wifi dimmer adjust
EAWL01-B	86x15xH8mm	12-24V DC	60W/120W	CCT Adjust (3-pin)
EAWL02-12V	50x50xH8mm	12V DC	60W	CCT Adjust (2-pin)
EAWL02-12V	50x50xH8mm	12V DC	120W	CCT Adjust (2-pin)

### Installation



### EuroArt Wireless Switches





■ Popup Socket

**Pop up socket**

**Specification:**

- Production dimension: 266x130x67mm
- Cut out dimension: 266x130x7mm
- Material: Zinc alloy & Steel plate
- Configuration: U.K. power outlet, 3.5mm audio, HDMI, VGA, USB data transfer etc

Ref.	Description	Finish
EADF-601	Pop up socket	Silver, Black

**Automatic Pop up socket**

**Specification:**

- Panel: Just press the top panel to open and close
- Product dimension: 113mm
- Cutout dimension: 100mm
- Configuration: U.K. power outlet, AUX, HDMI, VGA, USB fast charging etc

Ref.	Description	Finish
EADF-901	Automatic Pop up socket	Silver

**Manual Pull Pop up socket**

**Specification:**

- Flexible product installation, can be installed in vertical and horizontal
- Products for the design of the hidden drawing type
- Simple product hole, just a circular hole in the desktop

Ref.	Description	Finish
EADF-913	Manual Pop up socket	Silver, Black

**Aluminum Alloy Grommet box**

**Specification:**

- Material: Aluminium Alloy
- Surface Treatment: Baking finish
- Regular colors: White, Silver
- Hydraulic buffer, Soft open and close
- Brush to fix the cables and keep dust
- Dimension: 300x127x28mm (Customise Length)
- Cut Out size: 291x110x26mm (Suggestion)

Ref.	Description	Finish
EADF-913	Grommet Box	Silver



**Double Sided Damping Grommet Box**

**Specification:**

- Material: Aluminium Alloy
- Surface Treatment: Oxidization
- Regular colors: Silver
- Gear buffer design
- 2.8mm Thickness Aluminium to avoid out of shape
- Brush to fix the cables and keep dust away
- Double Sided design
- Dimension: 620x148x44mm (Customise Length)
- Cut Out size: 610x140x42mm

Ref.	Description	Finish
EADF-GB007	Double Sided Damping Grommet Box	Silver

**Cylindrical Table Charging Power Socket**

**Specification:**

- Material: Aluminium Alloy & Plastic
- Max current: 16A
- Max voltage: 250A
- Power socket: U.K.

Ref.	Description	Finish
EADF-C04	Cylindrical Table Charging Power Socket	Silver, Black

**Sliding Socket with Wireless Charging**

**Specification:**

- Material: Aluminium Alloy
- Surface Treatment: Paint
- Size: 350x100x40mm
- Cut Out size: 340x72 (R4 chamfer)
- Configuration: 2 power USB Charging on Networks, 1 HDMI, 1 Wireless Charger

Ref.	Description	Finish
EADF-W001	Sliding Socket with Wireless Charging	Silver

**Aluminum brush cable management**

**Specification:**

- Material: Aluminium Alloy
- Surface Treatment: Brushed or Oxidization
- Thickness: 8mm
- Size: 80x80 / 160x80 / 280x80 / 300x80

Ref.	Description	Finish
EADF-GB001	Aluminum brush cable management	Silver



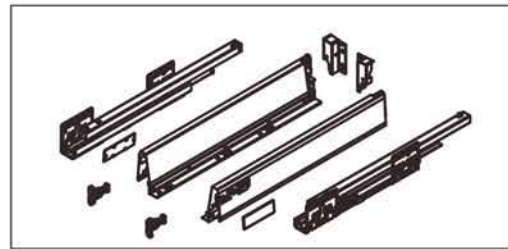
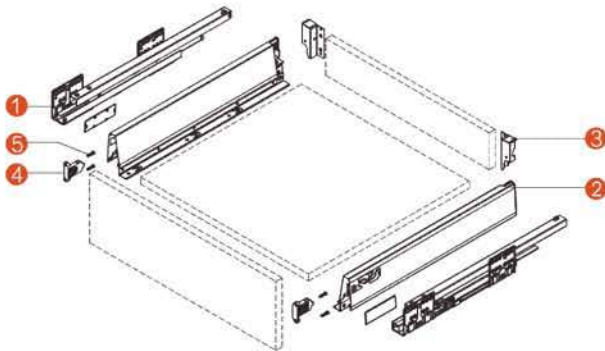
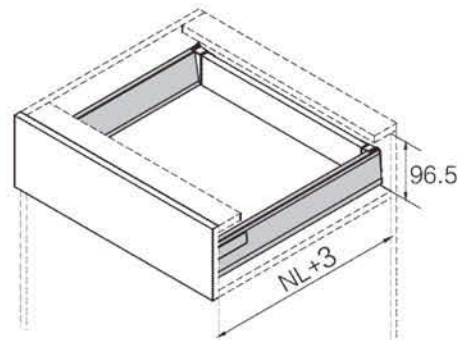
## Drawer Systems


**Features:**

- Concealed, full extension, synchronized slides
- Light opening and soft closing for smooth sliding
- Quick installation and easy dismantling
- Integrated 3D front panel adjustment
- Dynamic loading capacity: 35kg

**Consisting Items:**

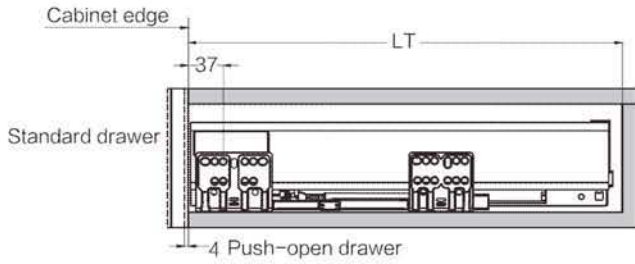
1. Drawer runners - Left / Right
2. Drawer side profiles
3. Back fixing brackets -Left / Right
4. Front fixing brackets - Left / Right
5. Screws

**Kit Package**

**The Basic components**

**Space Requirement**


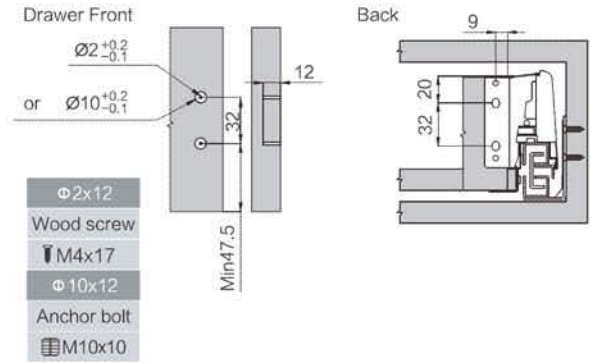
Nominal Length NL	Soft close drawer item no.	Set/Pair
270mm	TBG5427	1
300mm	TBG5430	1
350mm	TBG5435	1
400mm	TBG5440	1
450mm	TBG5445	1
500mm	TBG5450	1
550mm	TBG5455	1

Color: Silver, White, Dark Grey, Stainless Steel

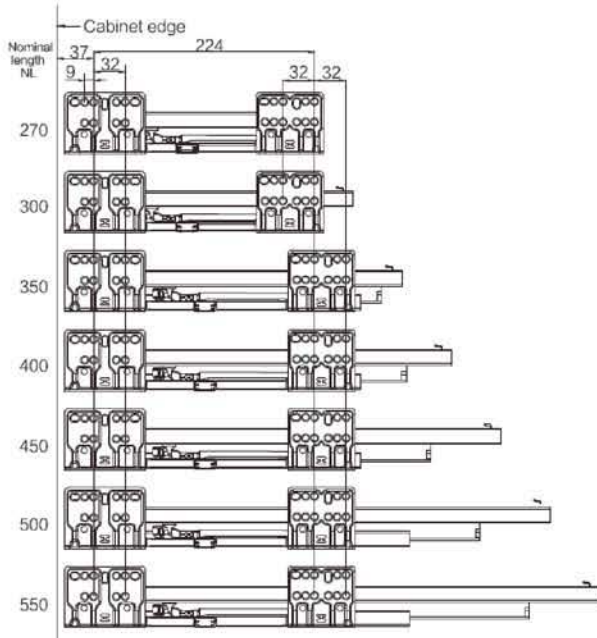
**Installation Dimension (mm)**



**Drawer Installation Dimension (mm)**

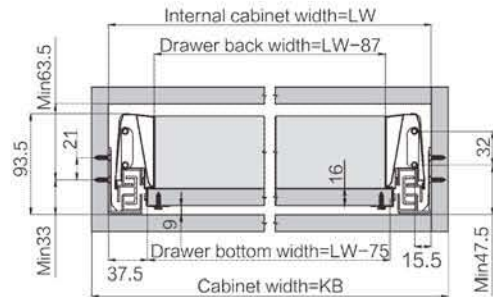


**Screw Position of Slides (mm)**

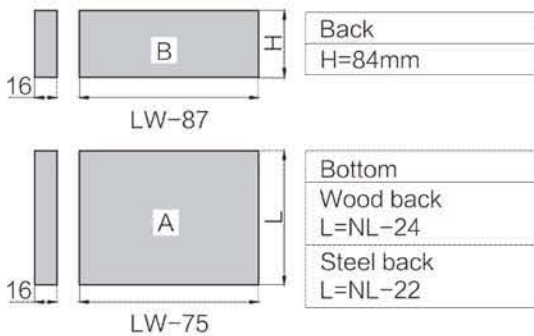


**Installation Dimension (mm)**

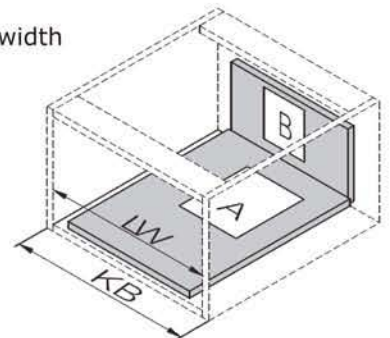
LW Internal cabinet width



**Drawers Back and Bottom Dimension (mm)**



KB Cabinet width  
LW Internal Cabinet width  
NL Normal length

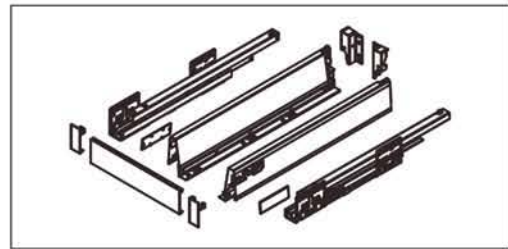
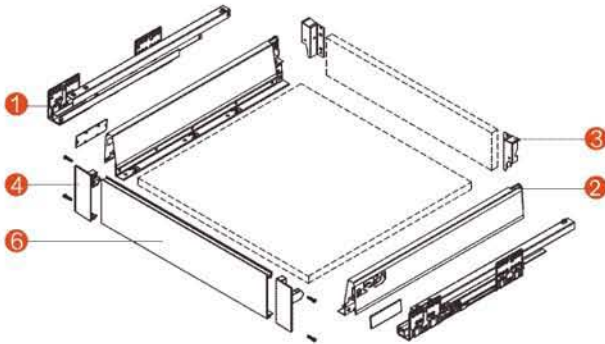
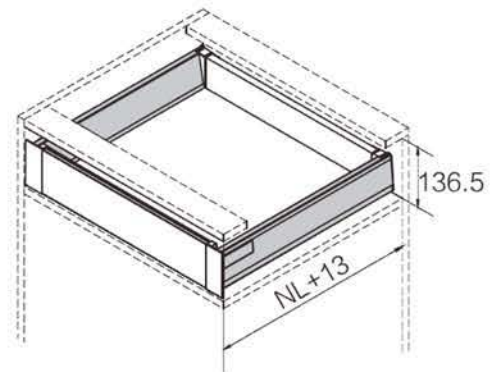



**Features:**

- Concealed, full extension, synchronized slides
- Light opening and soft closing for smooth sliding
- Quick installation and easy dismantling
- Integrated 3D front panel adjustment
- Dynamic loading capacity: 35kg

**Consisting Items:**

1. Drawer runners - Left / Right
2. Drawer side profiles
3. Back fixing brackets -Left / Right
4. Front fixing brackets - Left / Right
5. Front section

**Kit Package**

**The Basic components**

**Space Requirement**


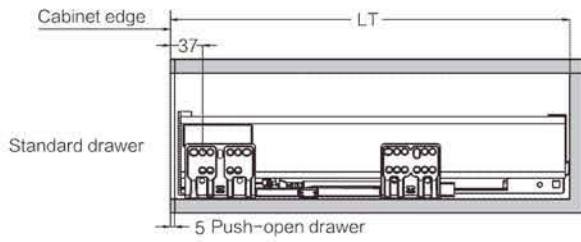
Nominal Length NL	Soft close drawer item no.	Set/Pair
270mm	TBG5427-IN	1
300mm	TBG5430-IN	1
350mm	TBG5435-IN	1
400mm	TBG5440-IN	1
450mm	TBG5445-IN	1
500mm	TBG5450-IN	1
550mm	TBG5455-IN	1

**Color: Silver, White, Dark Grey, Stainless Steel**

**Installation Dimension (mm)**

Normal Slide Length=NL

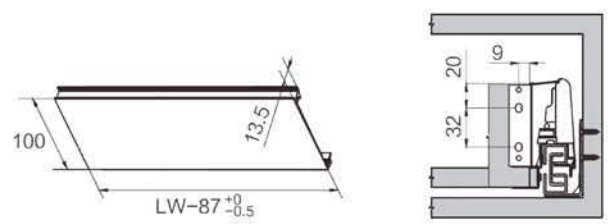
Internal Cabinet Depth=LT+NL+13



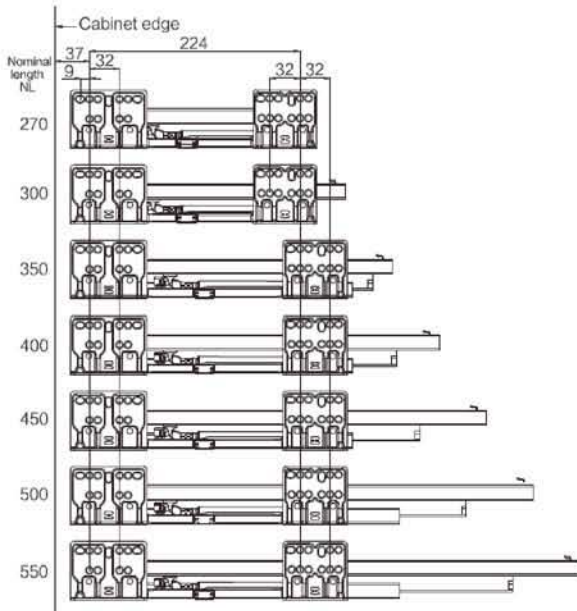
**Drawer Installation Dimension (mm)**

Inner Front section

Back

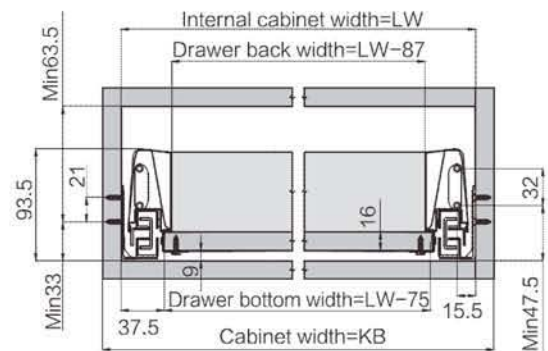


**Screw Position of Slides (mm)**

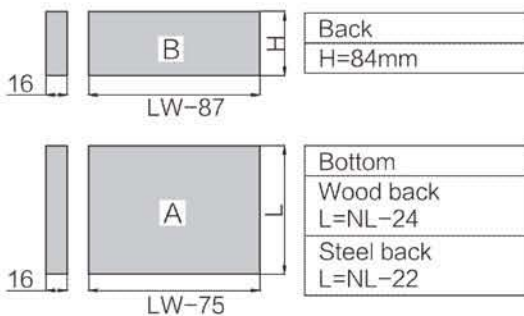


**Installation Dimension (mm)**

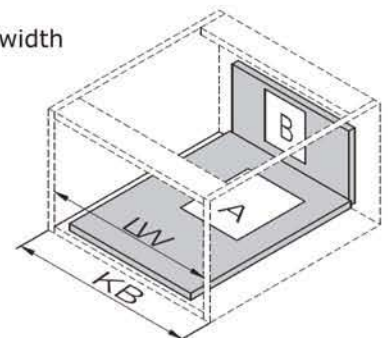
LW Internal cabinet width



**Drawers Back and Bottom Dimension (mm)**



KB Cabinet width  
LW Internal Cabinet width  
NL Normal length

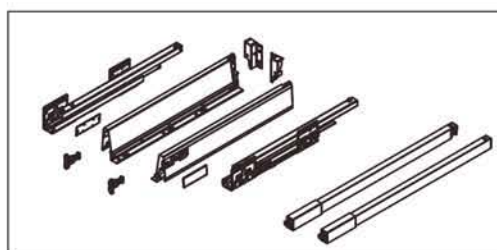
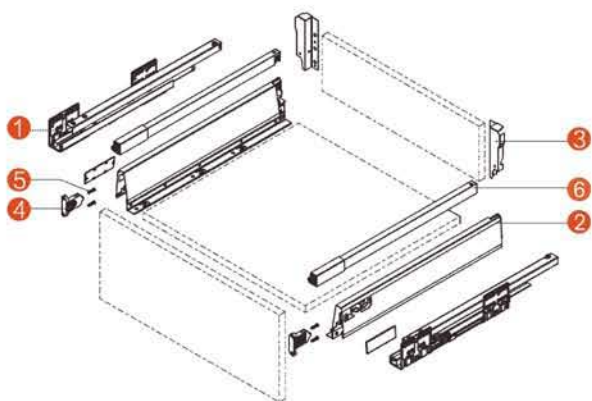
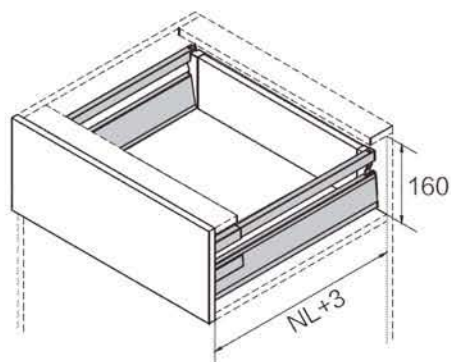



**Features:**

- Concealed, full extension, synchronized slides
- Light opening and soft closing for smooth sliding
- Quick installation and easy dismantling
- Integrated 3D front panel adjustment
- Dynamic loading capacity: 35kg

**Consisting Items:**

1. Drawer runners - Left / Right
2. Drawer side profiles
3. Back fixing brackets -Left / Right
4. Front fixing brackets - Left / Right
5. Screws
6. Rails - Left / Right

**Kit Package**

**The Basic components**

**Space Requirement**


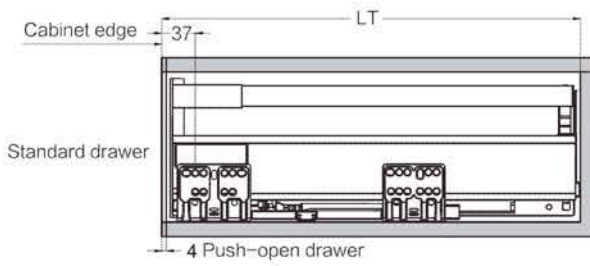
Nominal Length NL	Soft close drawer item no.	Set/Pair
270mm	TBG5527/RS	1
300mm	TBG5530/RS	1
350mm	TBG5535/RS	1
400mm	TBG5540/RS	1
450mm	TBG5545/RS	1
500mm	TBG5546/RS	1
550mm	TBG5555/RS	1

Color: Silver, White, Dark Grey, Stainless Steel

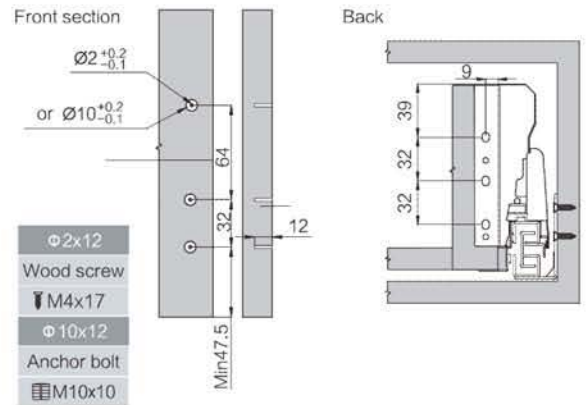
**Installation Dimension (mm)**

Normal Slide Length=NL

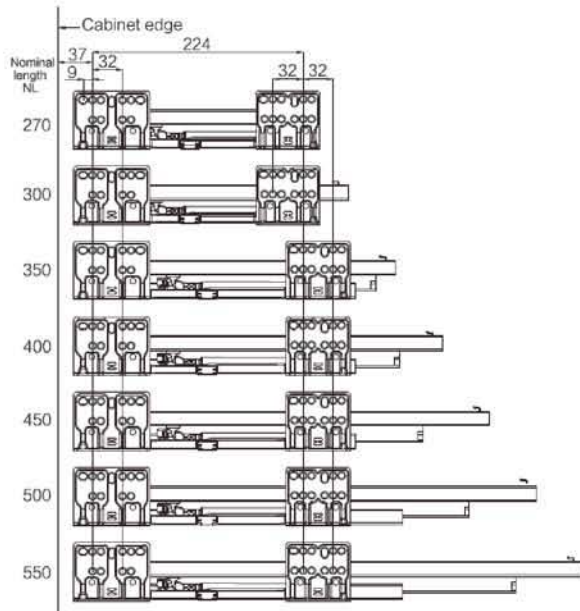
Internal Cabinet Depth=LT+NL+3



**Drawer Installation Dimension (mm)**

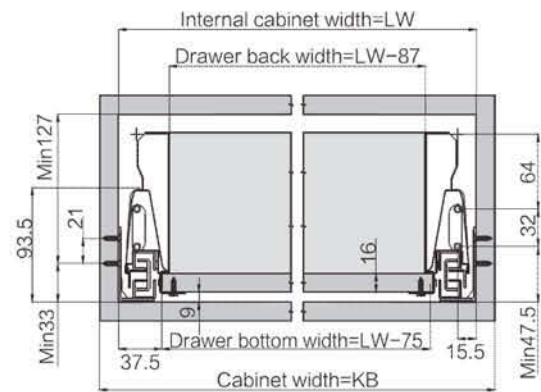


**Screw Position of Slides (mm)**

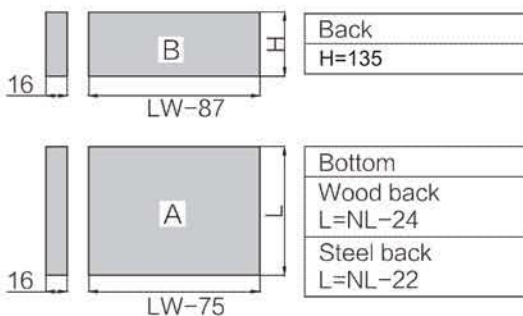


**Installation Dimension (mm)**

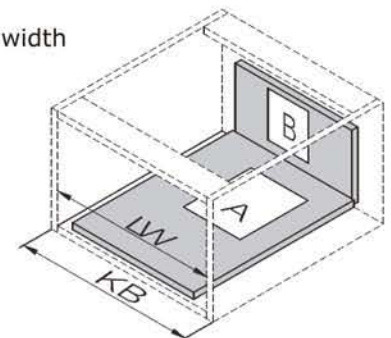
LW Internal cabinet width



**Drawers Back and Bottom Dimension (mm)**



KB Cabinet width  
LW Internal Cabinet width  
NL Normal length



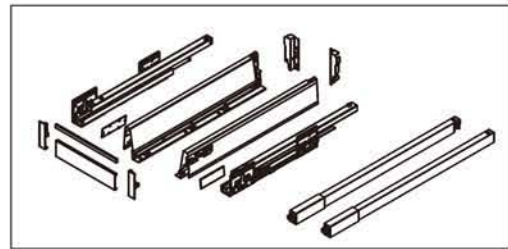
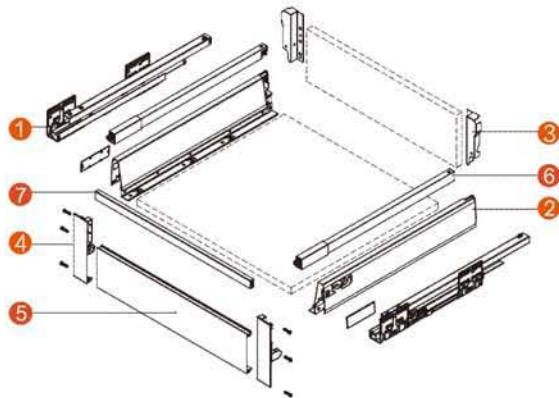
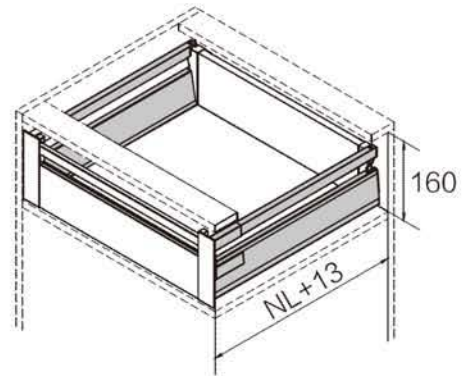



**Features:**

- Concealed, full extension, synchronized slides
- Light opening and soft closing for smooth sliding
- Quick installation and easy dismantling
- Integrated 3D front panel adjustment
- Dynamic loading capacity: 35kg

**Consisting Items:**

1. Drawer runners - Left / Right
2. Drawer side profiles
3. Back fixing brackets -Left / Right
4. Front fixing brackets - Left / Right
5. Front section
6. Rails - Left / Right
7. Cross square rail

**Kit Package**

**The Basic components**

**Space Requirement**


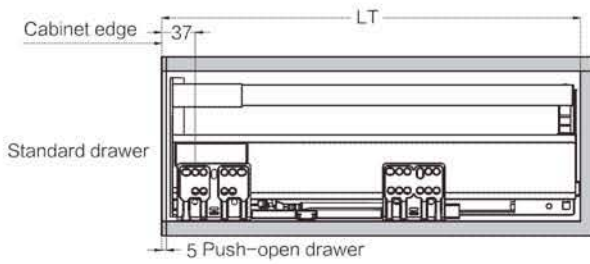
Nominal Length NL	Soft close drawer item no.	Set/Pair
270mm	TBG5527/RS-IN	1
300mm	TBG5530/RS-IN	1
350mm	TBG5535/RS-IN	1
400mm	TBG5540/RS-IN	1
450mm	TBG5545/RS-IN	1
500mm	TBG5546/RS-IN	1
550mm	TBG5555/RS-IN	1

Color: Silver, White, Dark Grey, Stainless Steel

**Installation Dimension (mm)**

Normal Slide Length=NL

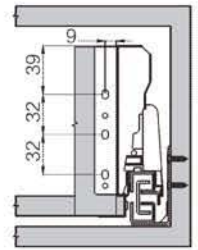
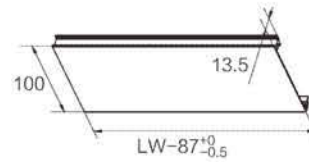
Internal Cabinet Depth=LT+NL+13



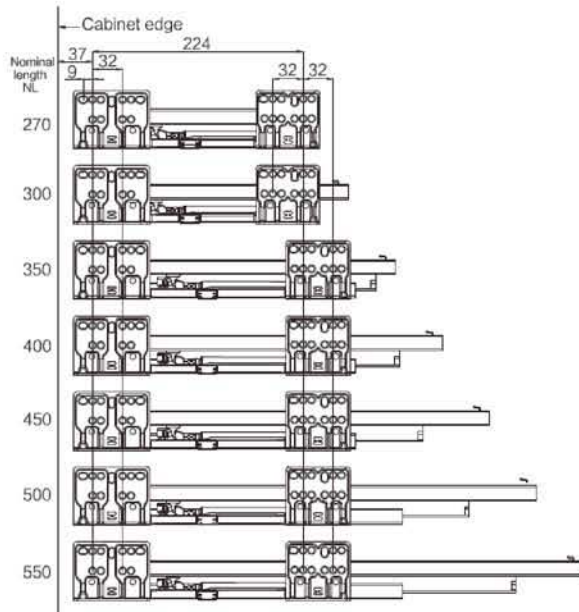
**Drawer Installation Dimension (mm)**

Inner Front section

Back

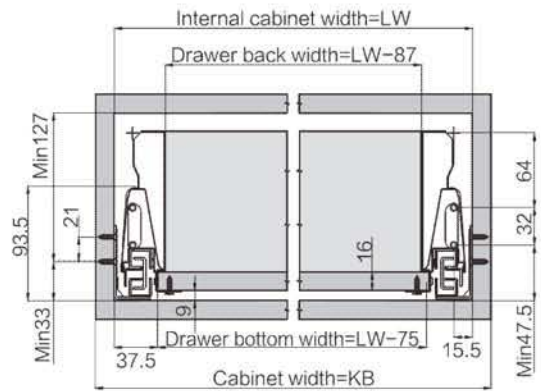


**Screw Position of Slides (mm)**

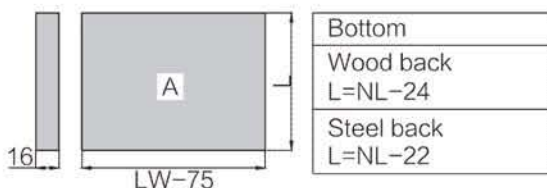
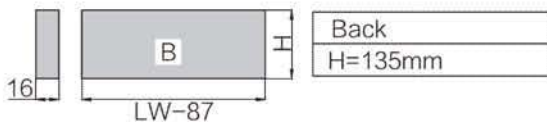


**Installation Dimension (mm)**

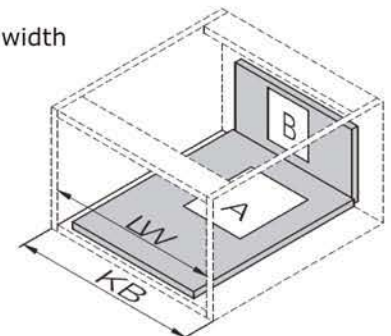
LW Internal cabinet width



**Drawers Back and Bottom Dimension (mm)**



KB Cabinet width  
LW Internal Cabinet width  
NL Normal length

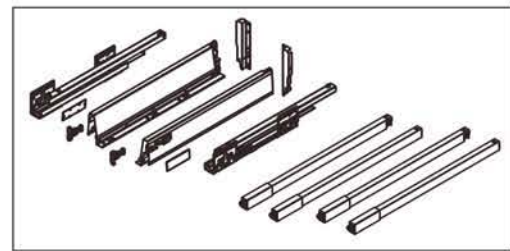
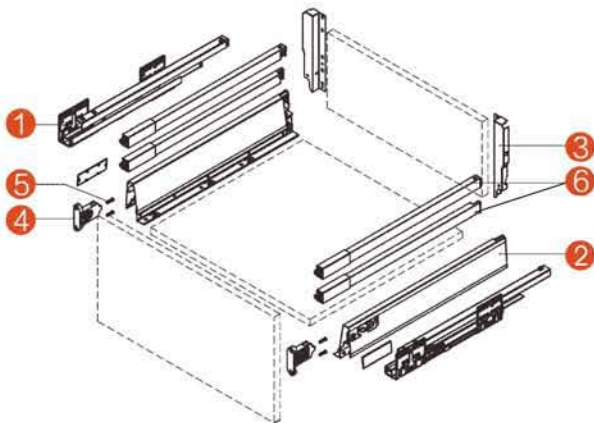
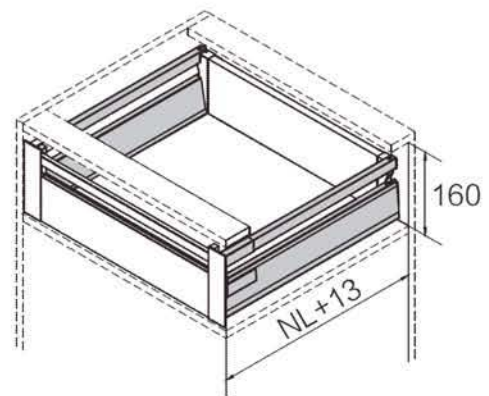



**Features:**

- Concealed, full extension, synchronized slides
- Light opening and soft closing for smooth sliding
- Quick installation and easy dismantling
- Integrated 3D front panel adjustment
- Dynamic loading capacity: 35kg

**Consisting Items:**

1. Drawer runners - Left / Right
2. Drawer side profiles
3. Back fixing brackets -Left / Right
4. Front fixing brackets - Left / Right
5. Screws
6. Double rails - Left / Right

**Kit Package**

**The Basic components**

**Space Requirement**


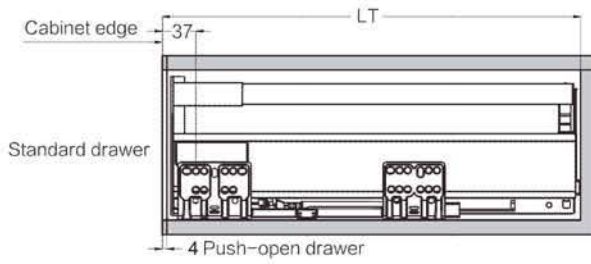
Nominal Length NL	Soft close drawer item no.	Set/Pair
270mm	TBG5527/RSD	1
300mm	TBG5530/RSD	1
350mm	TBG5535/RSD	1
400mm	TBG5540/RSD	1
450mm	TBG5545/RSD	1
500mm	TBG5557/RSD	1
550mm	TBG5555/RSD	1

Color: Silver, White, Dark Grey, Stainless Steel

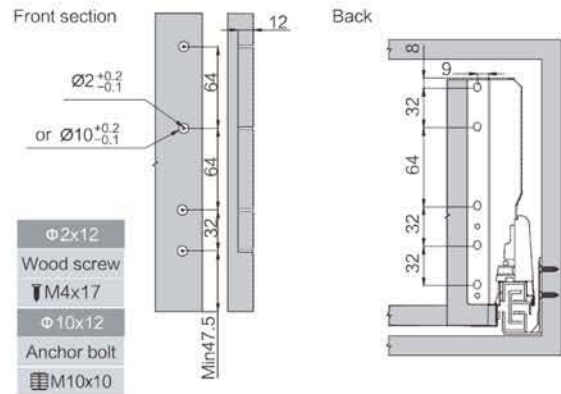
**Installation Dimension (mm)**

Normal Slide Length=NL

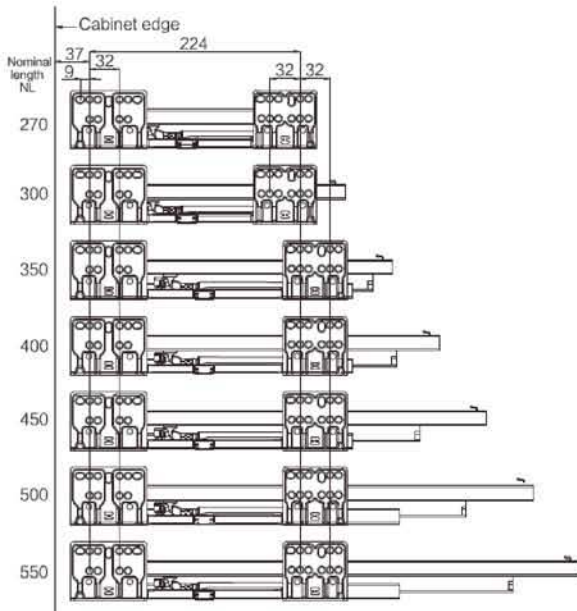
Internal Cabinet Depth=LT+NL+3



**Drawer Installation Dimension (mm)**

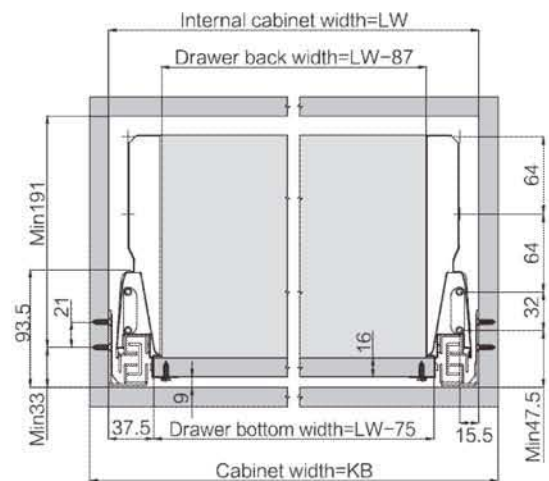


**Screw Position of Slides (mm)**

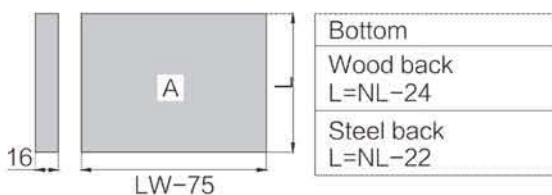
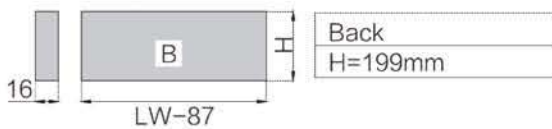


**Installation Dimension (mm)**

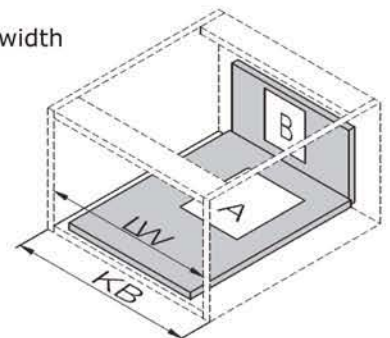
LW Internal cabinet width



**Drawers Back and Bottom Dimension (mm)**



KB Cabinet width  
LW Internal Cabinet width  
NL Normal length

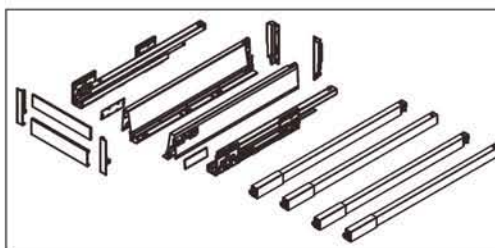
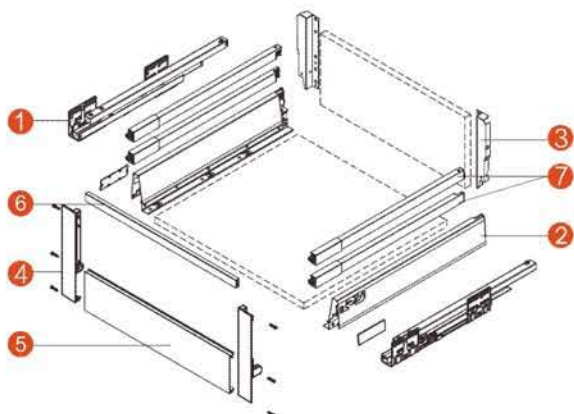
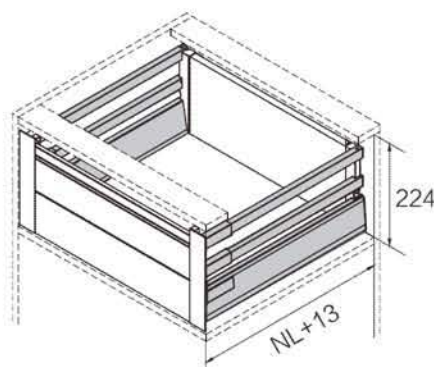



**Features:**

- Concealed, full extension, synchronized slides
- Light opening and soft closing for smooth sliding
- Quick installation and easy dismantling
- Integrated 3D front panel adjustment
- Dynamic loading capacity: 35kg

**Consisting Items:**

1. Drawer runners - Left / Right
2. Drawer side profiles
3. Back fixing brackets -Left / Right
4. Front fixing brackets - Left / Right
5. Front section
6. Cross square rail
7. Double rails - Left / Right

**Kit Package**

**The Basic components**

**Space Requirement**


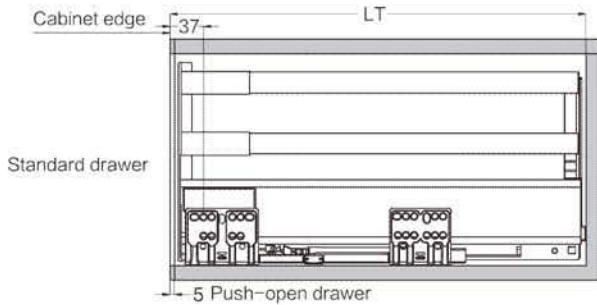
Nominal Length NL	Soft close drawer item no.	Set/Pair
270mm	TBG5527/RSD-IN	1
300mm	TBG5530/RSD-IN	1
350mm	TBG5535/RSD-IN	1
400mm	TBG5540/RSD-IN	1
450mm	TBG5545/RSD-IN	1
500mm	TBG5546/RSD-IN	1
550mm	TBG5555/RSD-IN	1

Color: Silver, White, Dark Grey, Stainless Steel

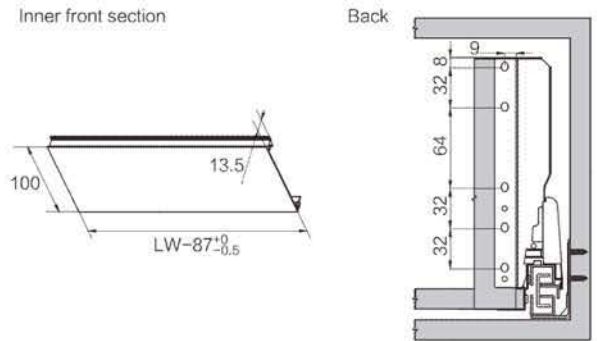
**Installation Dimension (mm)**

Normal Slide Length=NL

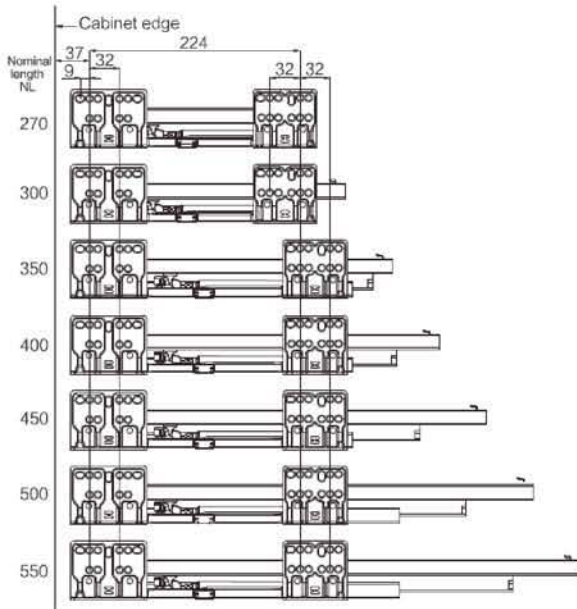
Internal Cabinet Depth=LT+NL+13



**Drawer Installation Dimension (mm)**

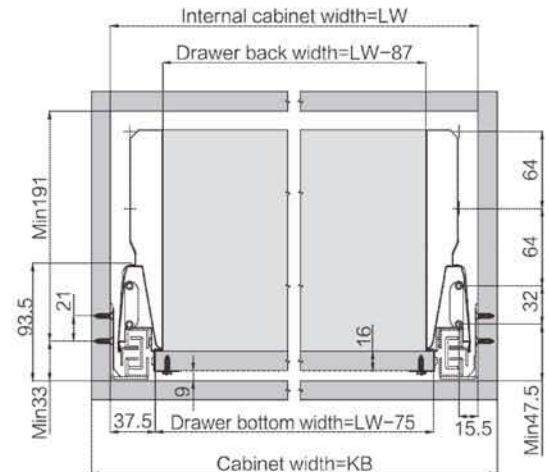


**Screw Position of Slides (mm)**

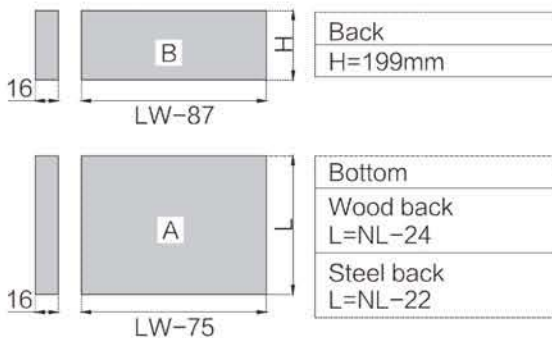


**Installation Dimension (mm)**

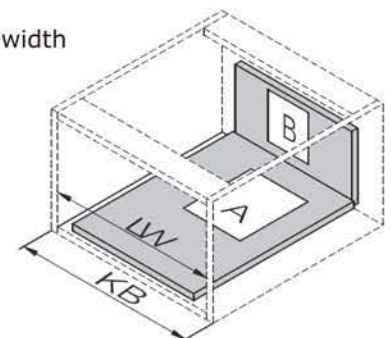
LW Internal cabinet width



**Drawers Back and Bottom Dimension (mm)**



KB Cabinet width  
LW Internal Cabinet width  
NL Normal length

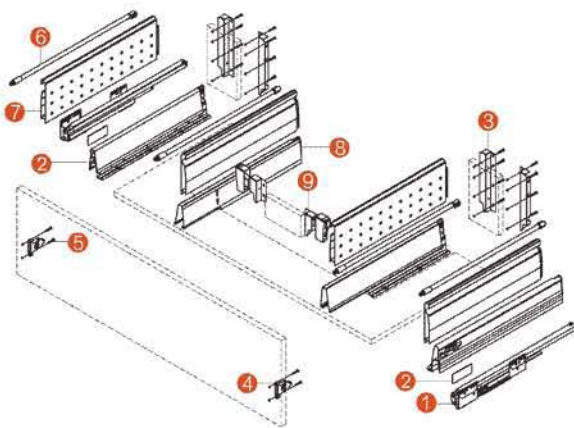
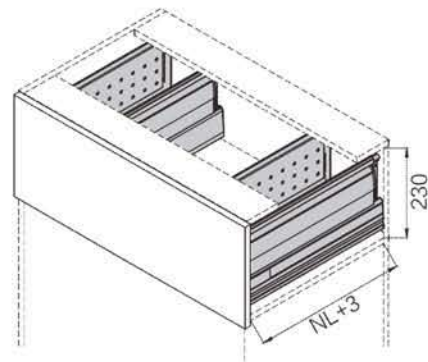



**Features:**

- Concealed, full extension, synchronized slides
- Light opening and soft closing for smooth sliding
- Quick installation and easy dismantling
- Integrated 2D/3D Front Panel Adjustment
- Dynamic loading capacity: 35kg

**Consisting Items:**

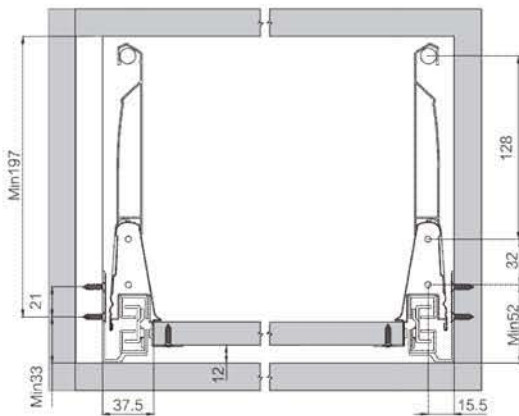
1. Drawer runners - Left / Right
2. Drawer side profiles
3. Back fixing brackets -Left / Right
4. Front fixing brackets - Left / Right
5. Screws
6. Rails - Left / Right
7. Double wall metal box - Left / Right
8. Drawer Slides
9. Connecting Fittings

**The Basic components**

**Space Requirement**


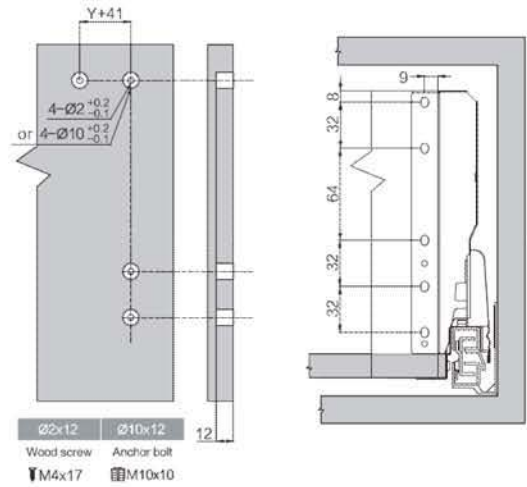
Nominal Length NL	Soft close drawer item no.	Set/Pair
450mm	SINK-45	1
500mm	SINK-50	1
550mm	SINK-55	1

**Color: Silver Grey, White, Stainless Steel**

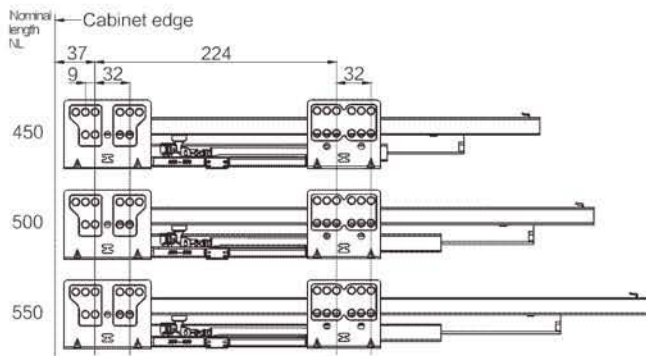
**Installation Dimensions**



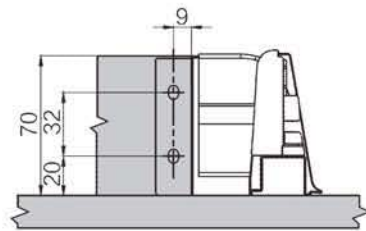
**Drawer Installation Dimensions**



**Fixing hole position for Soft-Close**



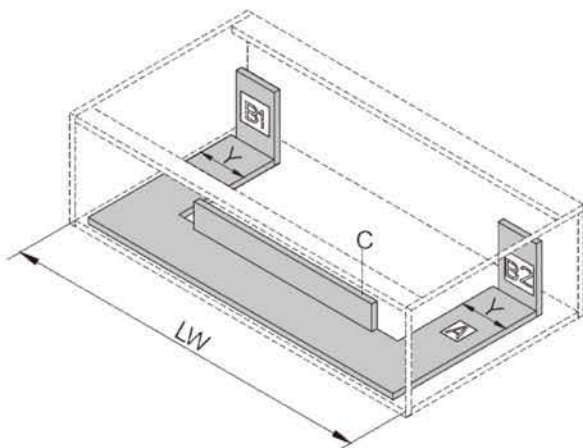
**Installation Dimensions**



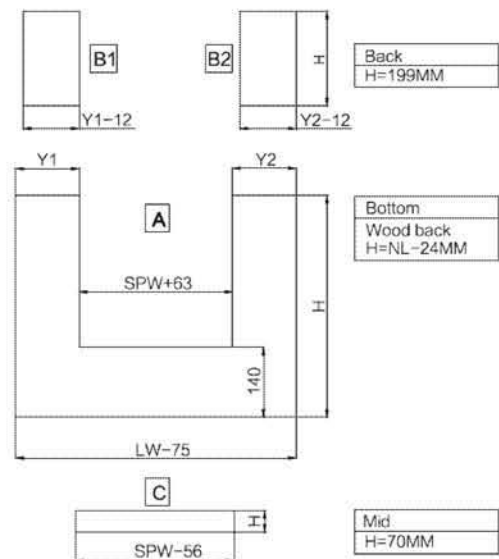
**LW** Internal Cabinet width

**NL** Nominal length

**SPW** Sink the banisters can meet the required space



**Cutting Dimension of 16mm Chipboard**



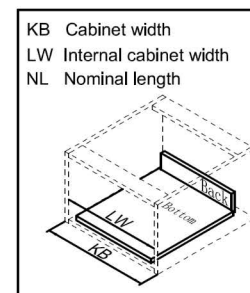
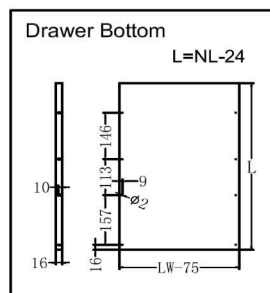
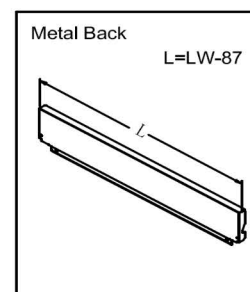
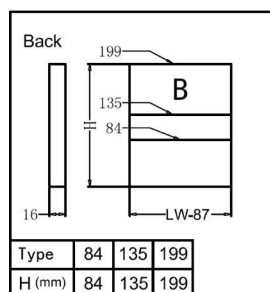
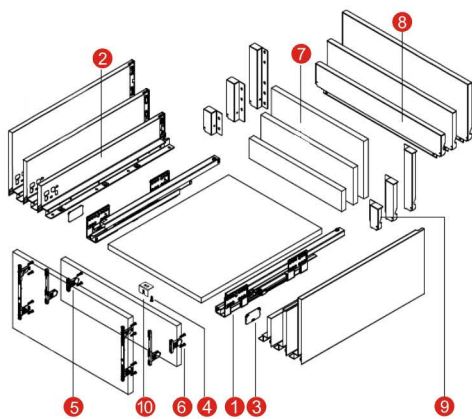



**Features:**

- Concealed, full extension slim undermount slides
- Light opening and soft closing for smooth sliding
- Quick installation and easy dismantling with free adjustable end brackets
- Dynamic loading capacity: 35kg

**Consisting Items:**

1. Cabinet profile - Left / Right
2. 84 Drawer profile - Left / Right
3. Side cover plate
4. Bottom screw (Ø3.5x15)
5. 84mm Front fixing brackets
6. Front fixing - brackets screws (Ø4x17)
7. Drawer back
8. Metal back height 84mm
9. Metal back fixed
10. Bottom fixing (for wide drawer)

**The Basic components**


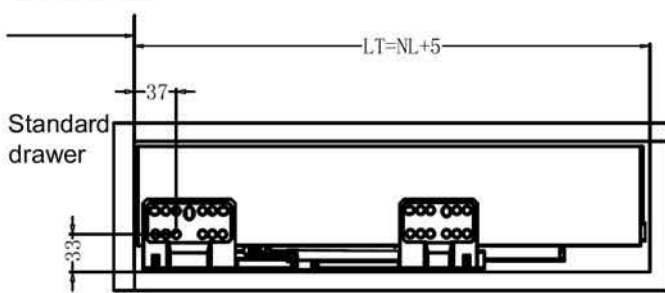
Nominal Length NL	Soft close drawer item no.	Set/Pair
270mm	STB84-27	1
300mm	STB84-30	1
350mm	STB84-35	1
400mm	STB84-40	1
450mm	STB84-45	1
500mm	STB84-50	1
550mm	STB84-55	1

**Color: White, Dark Grey**

**Installation Dimensions**

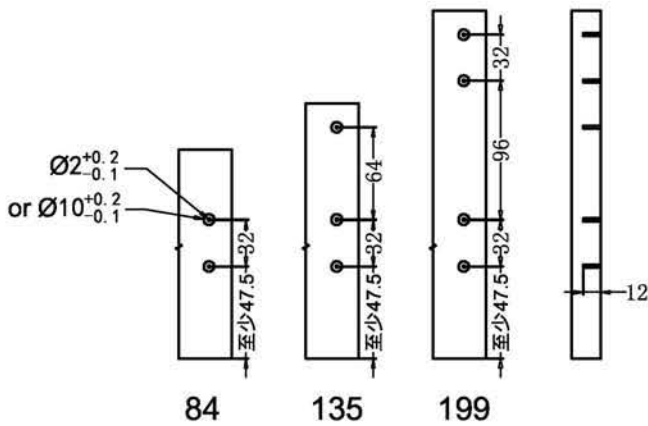
Nominal side length= NL  
Internal cabinet depth= LT

Cabinet edge



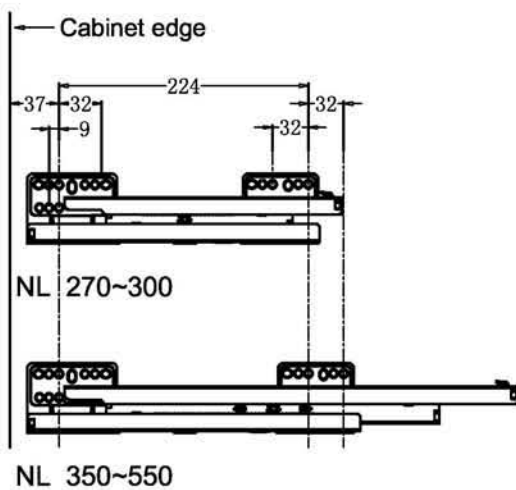
**Drawers Installation Dimensions (mm)**

84 135 199 Drawer front



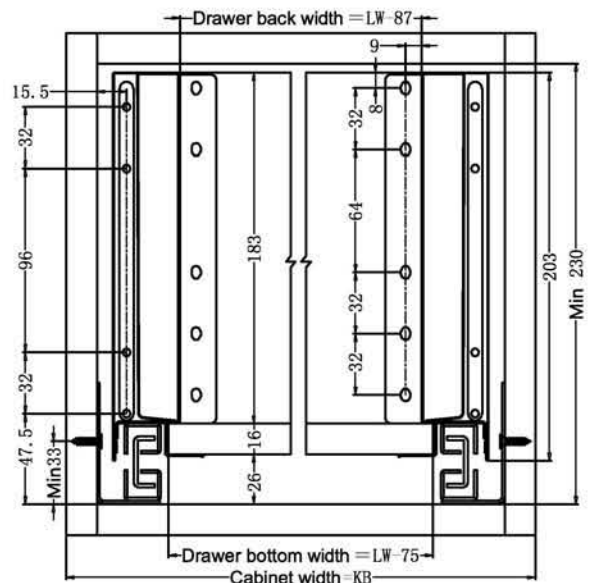
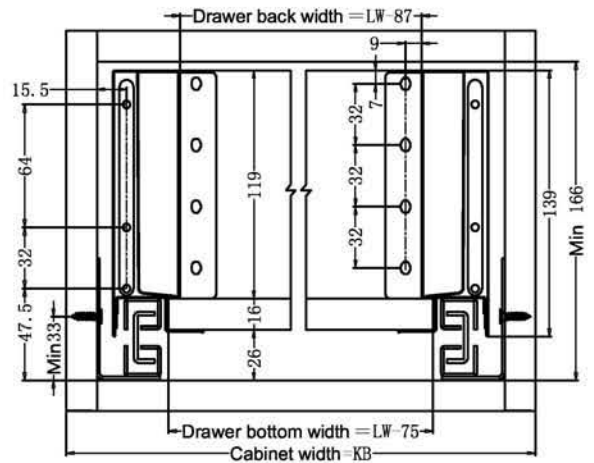
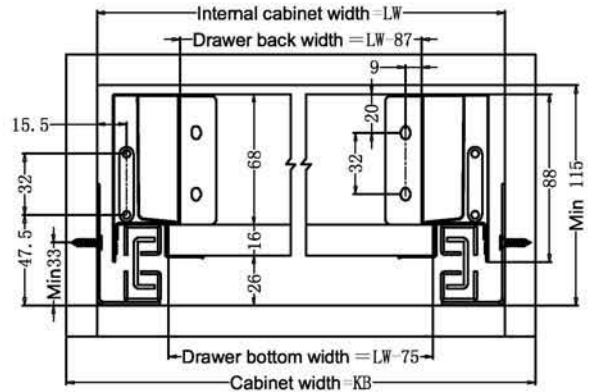
Ø2 x 12	Ø10 x 12
Wood screw	Anchor bolt
Ø4 x 17	Ø10.3 x 10

**Screw Position of the sides**



**Drawer Installation Dimensions**

LW= Internal cabinet width

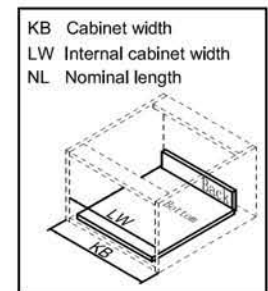
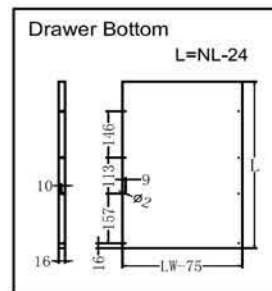
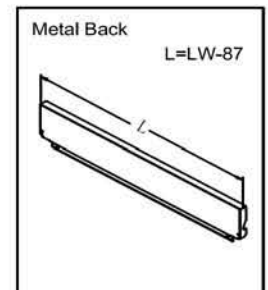
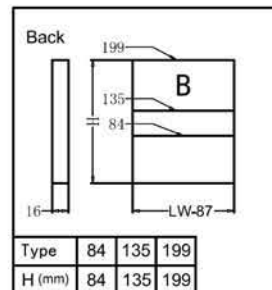
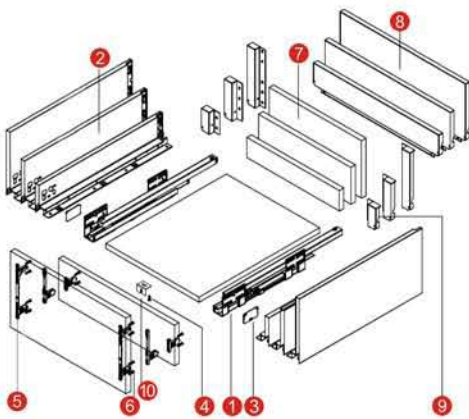



**Features:**

- Concealed, full extension slim undermount slides
- Light opening and soft closing for smooth sliding
- Quick installation and easy dismantling with free adjustable end brackets
- Dynamic loading capacity: 35kg

**Consisting Items:**

1. Cabinet profile - Left / Right
2. 135mm Drawer profile - Left / Right
3. Side cover plate
4. Bottom screw (Ø3.5x15)
5. 135mm Front fixing brackets
6. Front fixing-brackets screws (Ø4x17)
7. Drawer back
8. Metal back height 135mm
9. Metal back fixed
10. Bottom fixing (for wide drawer)

**The Basic components**


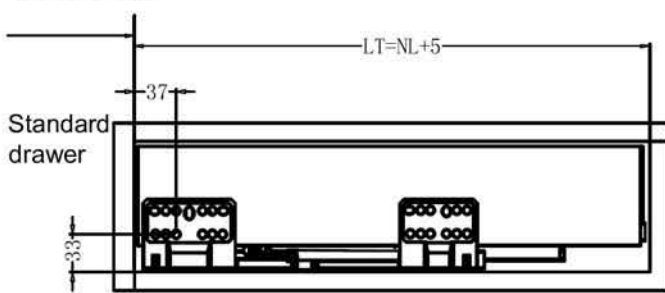
Nominal Length NL	Soft close drawer item no.	Set/Pair
270mm	STB135-27	1
300mm	STB135-30	1
350mm	STB135-35	1
400mm	STB135-40	1
450mm	STB135-45	1
500mm	STB135-50	1
550mm	STB135-55	1

Color: White, Dark Grey

**Installation Dimensions**

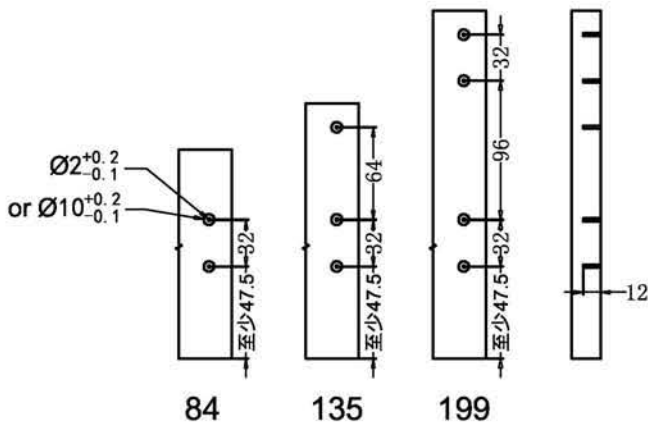
Nominal side length= NL  
Internal cabinet depth= LT

Cabinet edge



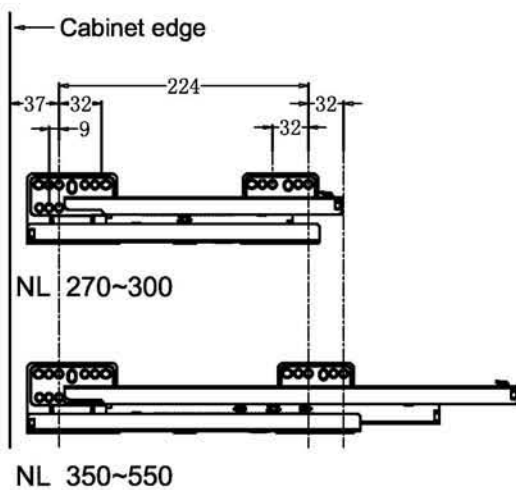
**Drawers Installation Dimensions (mm)**

84 135 199 Drawer front



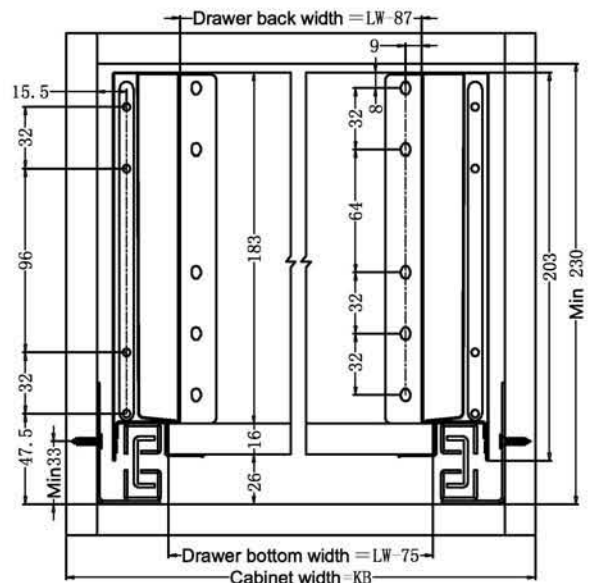
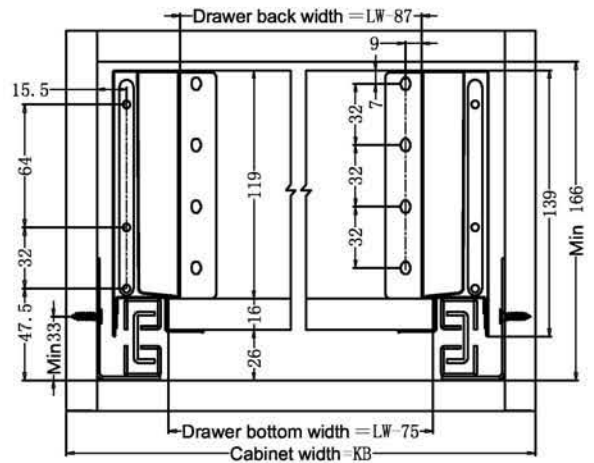
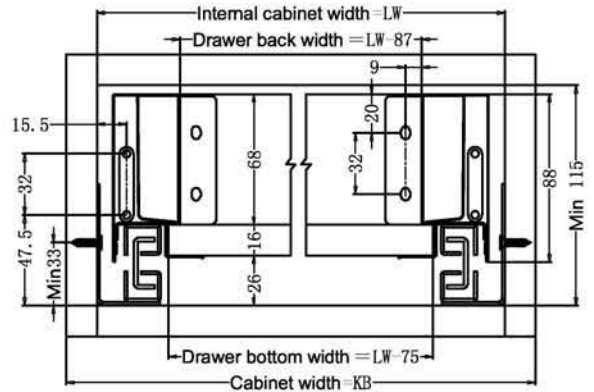
Ø2 x 12	Ø10 x 12
Wood screw	Anchor bolt
Ø4 x 17	Ø10.3 x 10

**Screw Position of the sides**



**Drawer Installation Dimensions**

LW= Internal cabinet width

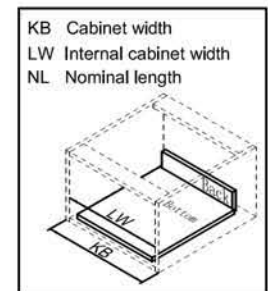
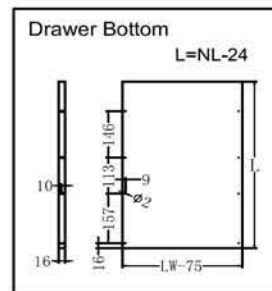
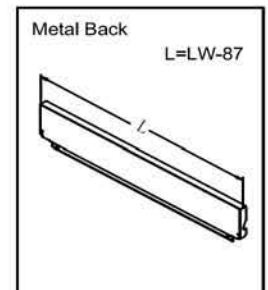
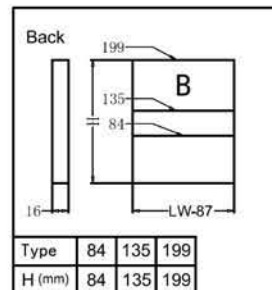
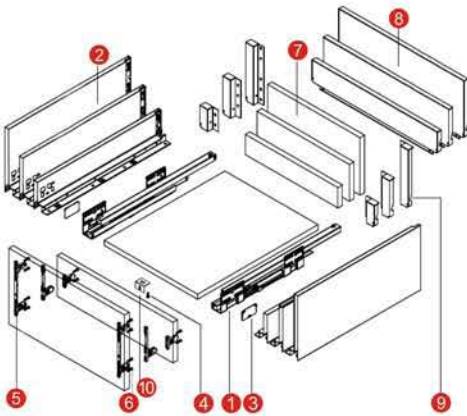



**Features:**

- Concealed, full extension slim undermount slides
- Light opening and soft closing for smooth sliding
- Quick installation and easy dismantling with free adjustable end brackets
- Dynamic loading capacity: 35kg

**Consisting Items:**

1. Cabinet profile - Left / Right
2. 199mm Drawer profile - Left / Right
3. Side cover plate
4. Bottom screw (Ø3.5x15)
5. 199mm Front fixing brackets
6. Front fixing-brackets screws (Ø4x17)
7. Drawer back
8. Metal back height 199mm
9. Metal back fixed
10. Bottom fixing (for wide drawer)

**The Basic components**


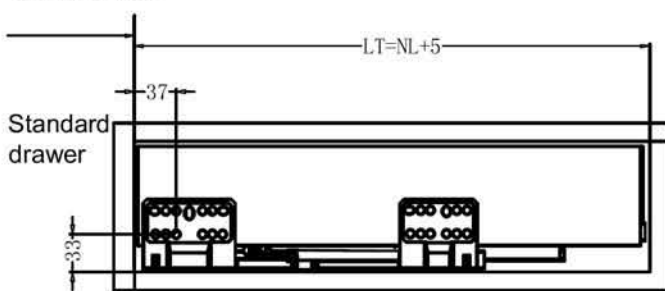
Nominal Length NL	Soft close drawer item no.	Set/Pair
270mm	STB199-27	1
300mm	STB199-30	1
350mm	STB199-35	1
400mm	STB199-40	1
450mm	STB199-45	1
500mm	STB199-50	1
550mm	STB199-55	1

Color: White, Dark Grey

**Installation Dimensions**

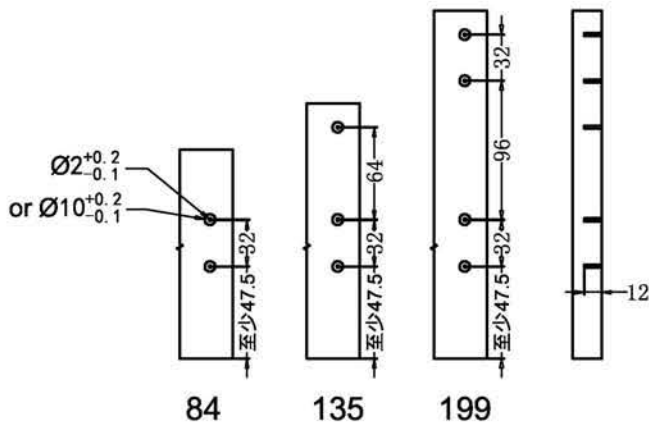
Nominal side length= NL  
Internal cabinet depth= LT

Cabinet edge



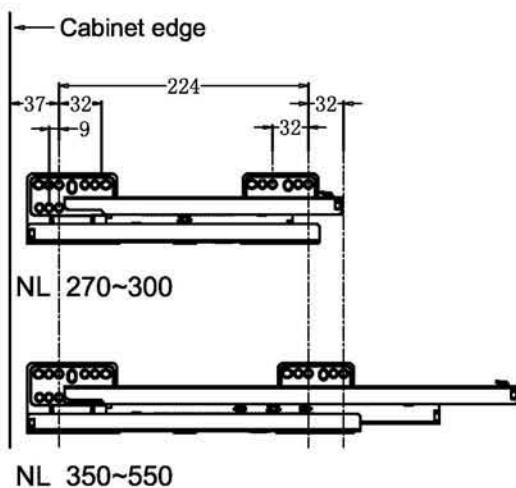
**Drawers Installation Dimensions (mm)**

84 135 199 Drawer front



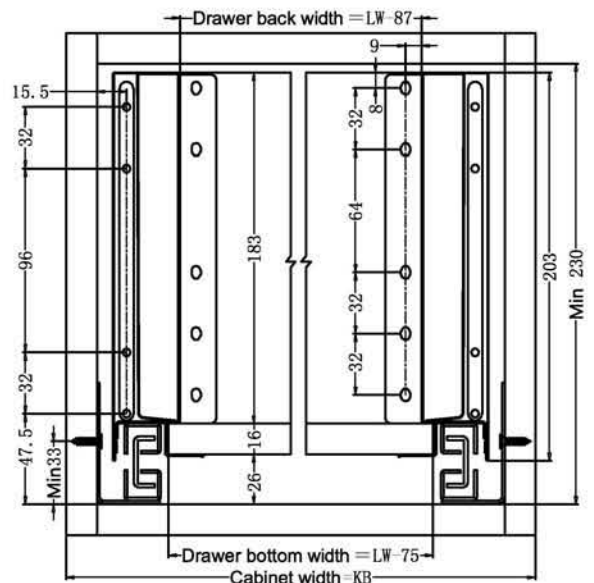
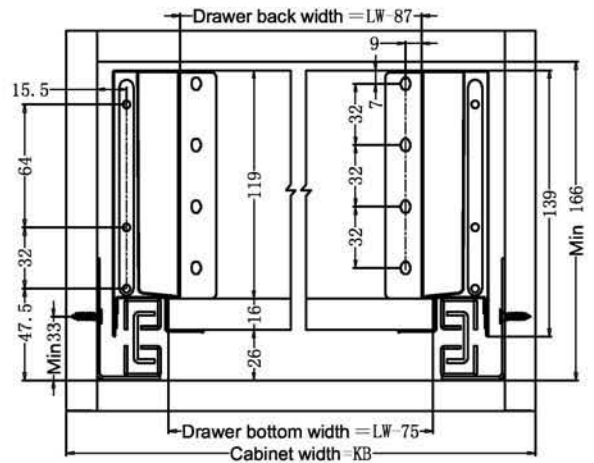
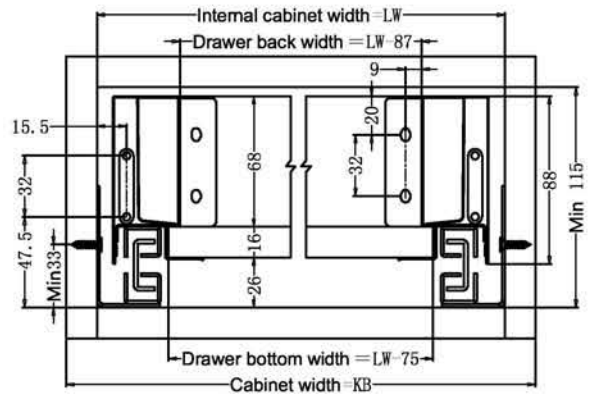
Ø2 x 12	Ø10 x 12
Wood screw	Anchor bolt
Ø4 x 17	Ø10.3 x 10

**Screw Position of the sides**



**Drawer Installation Dimensions**

LW= Internal cabinet width

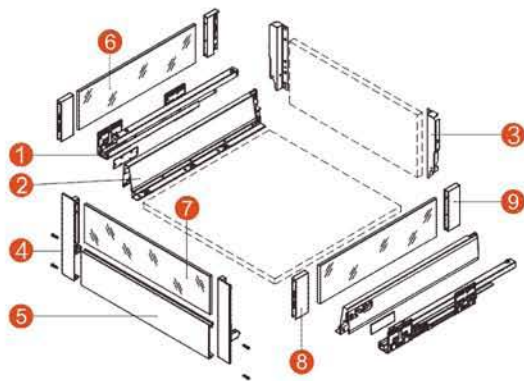
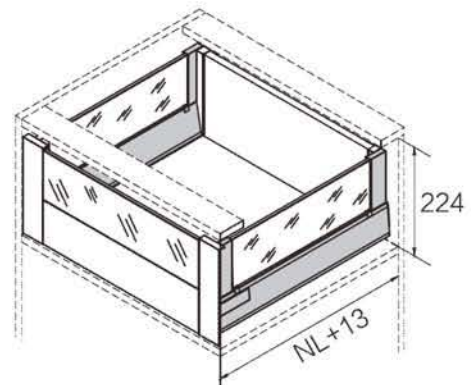



**Features:**

- Concealed, full extension, synchronized slides
- Light opening and soft closing for smooth sliding
- Quick installation and easy dismantling
- Integrated 3D front panel adjustment
- Dynamic loading capacity: 35kg

**Consisting Items:**

1. Drawer runners - Left / Right
2. Drawer side profiles
3. Back fixing brackets -Left / Right
4. Front fixing brackets - Left / Right
5. Front section
6. 8mm Glass box side - Left / Right
7. 8mm Glass front
8. Front clips - Left / Right
9. Back clips - Left / Right

**The Basic components**

**Space Requirement**


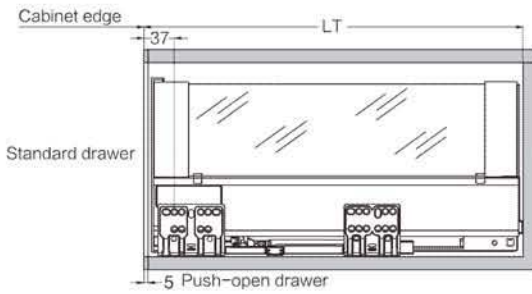
Nominal Length NL	Soft close drawer item no.	Set/Pair
270mm	TBIDDG67927	1
300mm	TBIDDG67930	1
350mm	TBIDDG67935	1
400mm	TBIDDG67940	1
450mm	TBIDDG67945	1
500mm	TBIDDG67950	1
550mm	TBIDDG67955	1

Color: Silver, White, Dark Grey, Stainless Steel

**Installation Dimension (mm)**

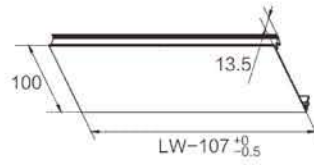
Normal Slide Length=NL

Internal Cabinet Depth=LT+NL+13

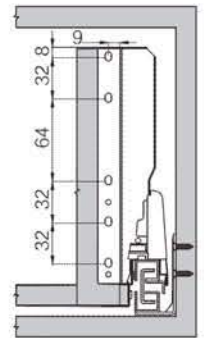


**Drawer Installation Dimension (mm)**

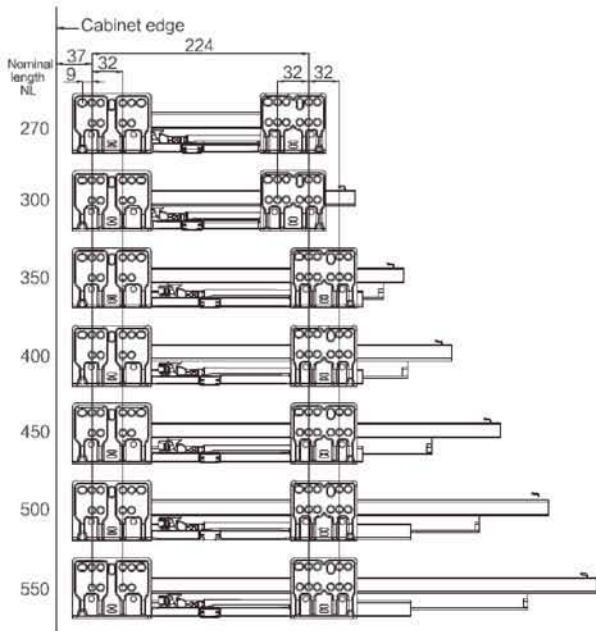
Inner front section



Back

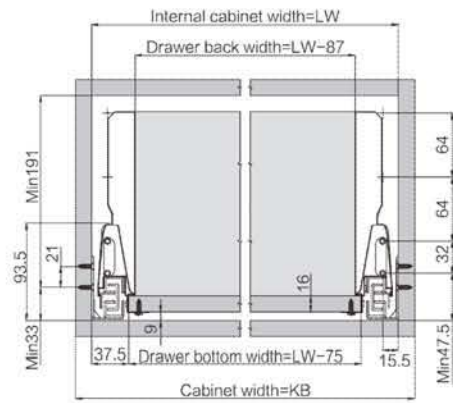


**Screw Position of Slides (mm)**

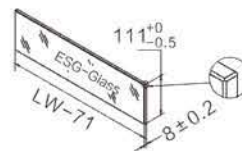


**Installation Dimension (mm)**

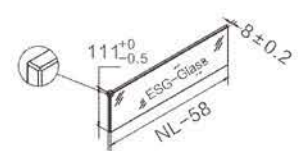
LW Internal cabinet width



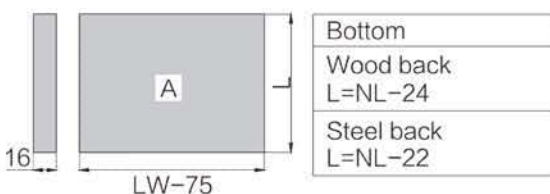
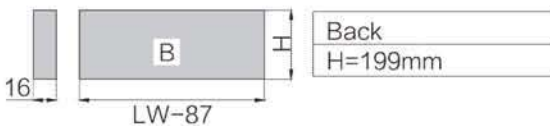
8mm Glass Front



8mm Glass-boxside



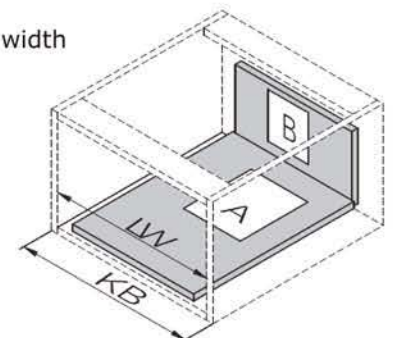
**Drawers Back and Bottom Dimension (mm)**



KB Cabinet width

LW Internal Cabinet width

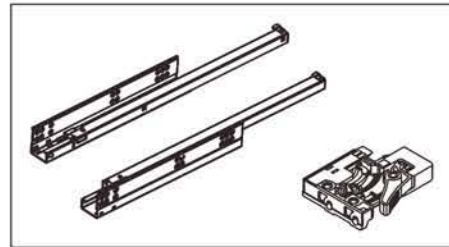
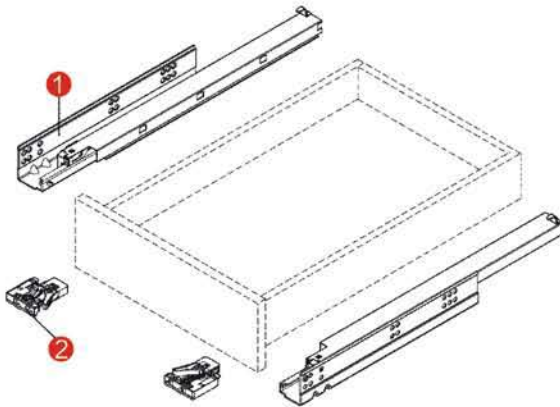
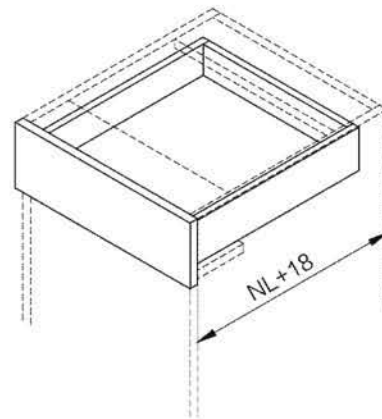
NL Normal length






**Synchronized Full Extension Soft Close  
Concealed Undermount Slide with  
3D Locking Brackets**
**Features:**

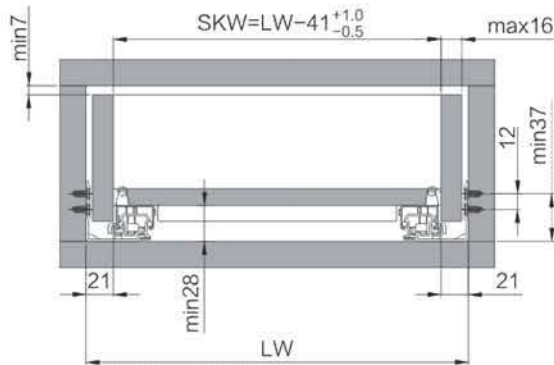
- Synchronized soft close system
- Quick and easy assembling and dismantling the drawer
- Height adjustment 0~+3mm
- Slide adjustment  $\pm 1.5\text{mm}$
- Depth (In and Out) adjustment 0~+3mm
- Loading capacity 40Kg

**Kit Package**

**The Basic components**

**Space Requirement**


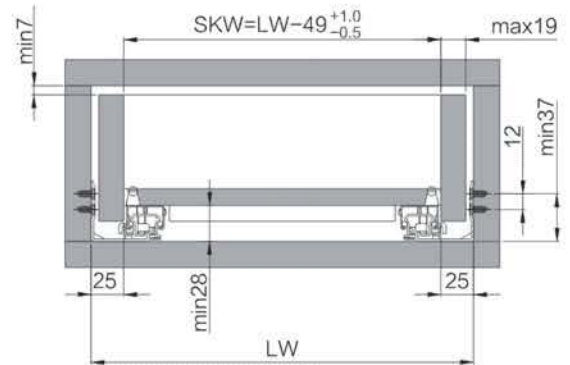
Nominal Length NL	Soft close drawer item no.	Set/Pair
250mm	CSR425	1
300mm	CSR430	1
350mm	CSR435	1
400mm	CSR440	1
450mm	CSR445	1
500mm	CSR450	1
550mm	CSR455	1

**Installation Dimension (mm)**

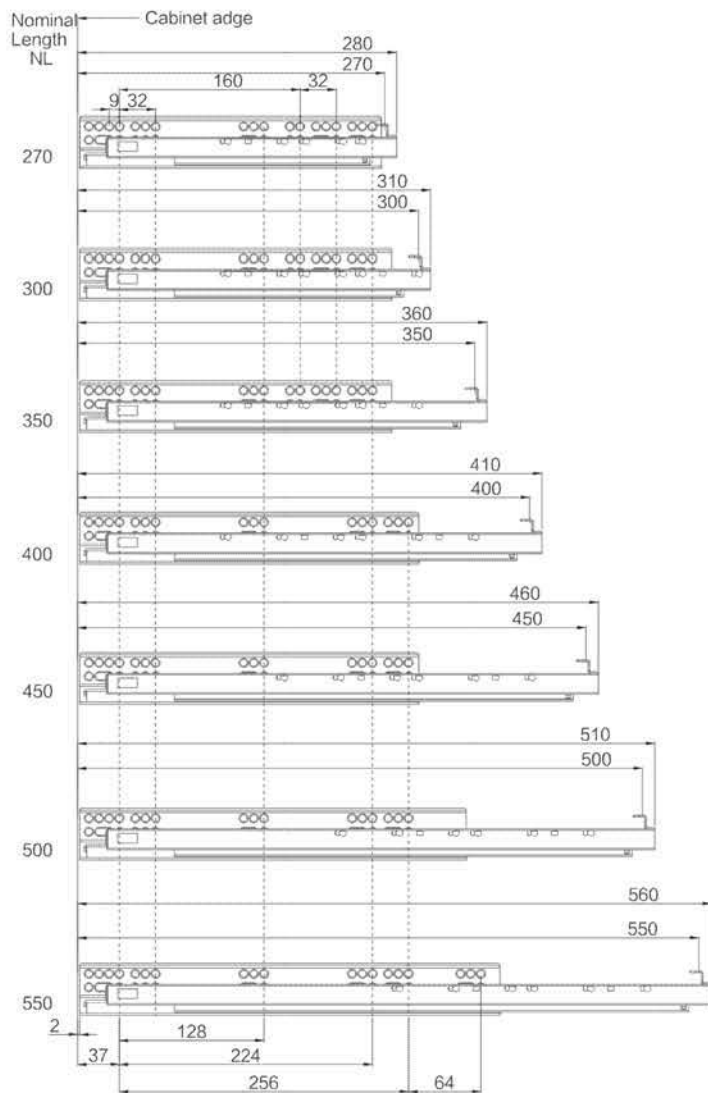
Installation for drawer with max 16mm thick drawer side  
 LW = Internal Cabinet width SKW = Internal Drawer width



Installation for drawer with max 19mm thick drawer side  
 LW = Internal Cabinet width SKW = Internal Drawer width

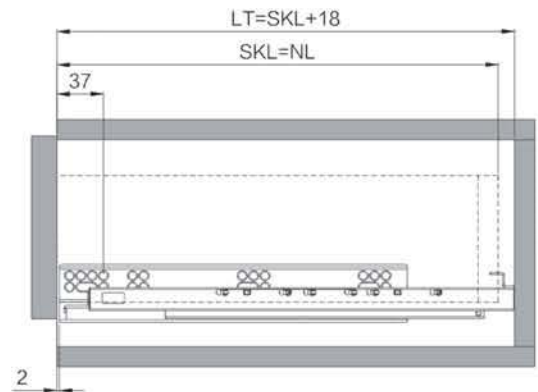


**Installation Dimension (mm)**

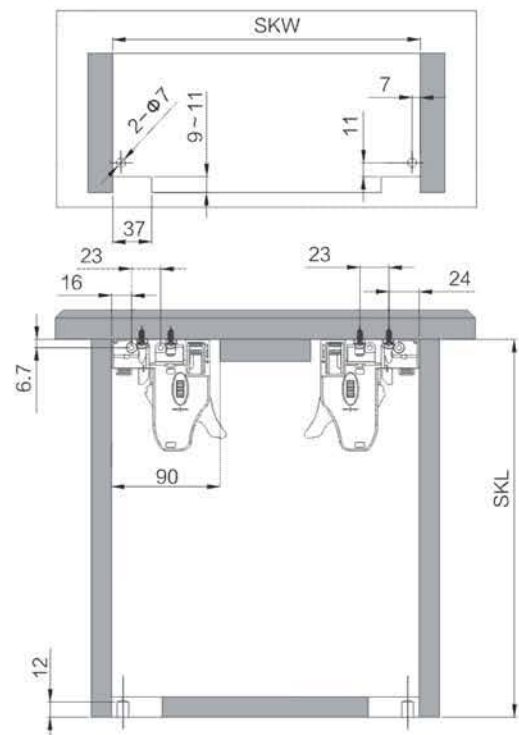


**Drawers Dimension (mm)**

SKL Drawer length  
 LT Inside cabinet length (min.)



**Drawers Box (mm)**

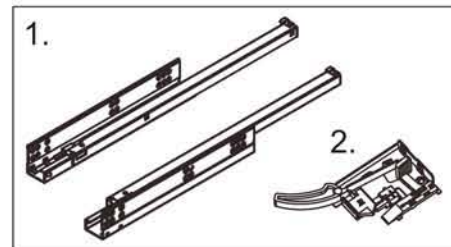
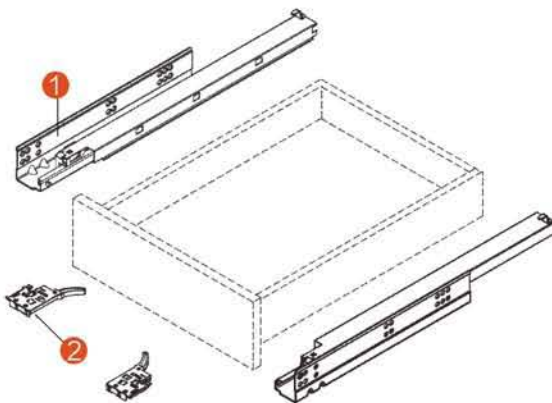
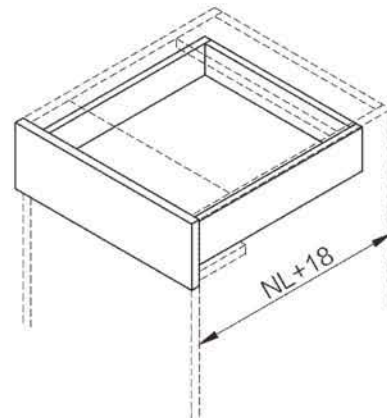



**Concealed Full Extension Push-Open Undermount Slide With Locking Brackets**
**Features:**

- Smooth mechanical push-open system
- Quick and easy assembling and dismantling
- Height adjustment 0~+3mm
- Loading capacity 30Kg

**Consisting Items:**

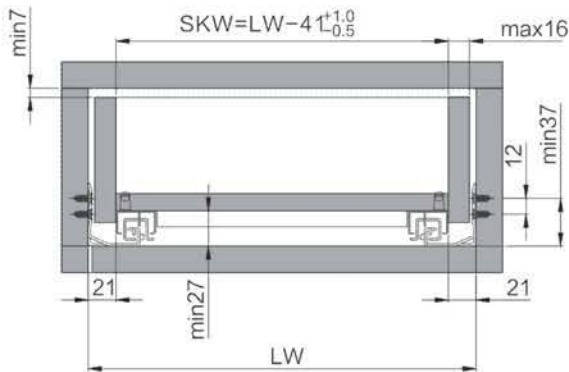
1. Concealed drawer runners - Left / Right
2. Locking brackets


**Kit Package**

**The Basic components**

**Space Requirement**


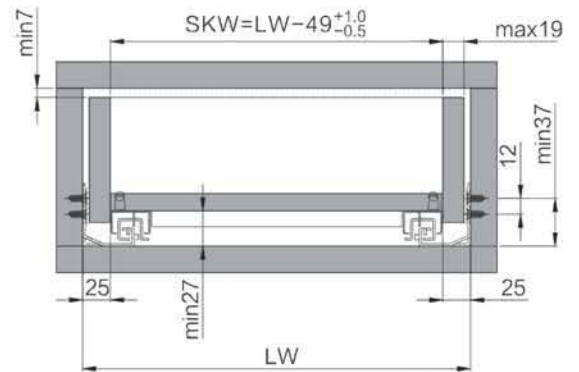
Nominal Length NL	Soft close drawer item no.	Set/Pair
300mm	CPOR431	1
350mm	CPOR436	1
400mm	CPOR441	1
450mm	CPOR446	1
500mm	CPOR451	1
550mm	CPOR456	1

**Installation Dimension (mm)**

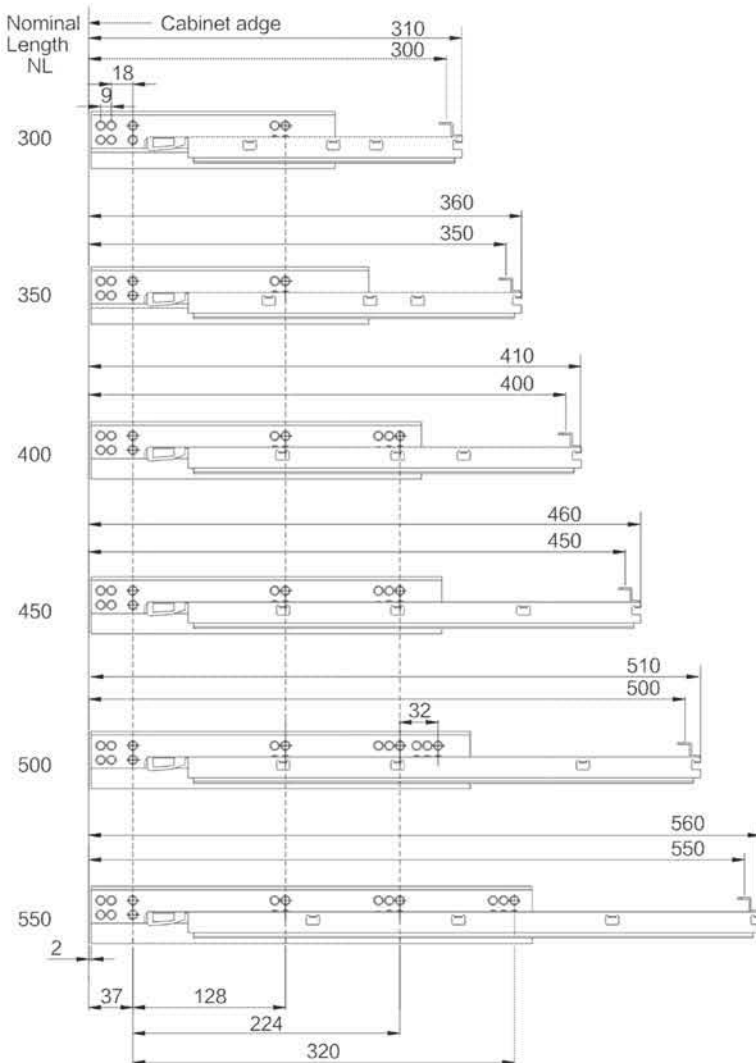
Installation for drawer with max 16mm thick drawer side  
 LW = Internal Cabinet width SKW = Internal Drawer width



Installation for drawer with max 19mm thick drawer side  
 LW = Internal Cabinet width SKW = Internal Drawer width

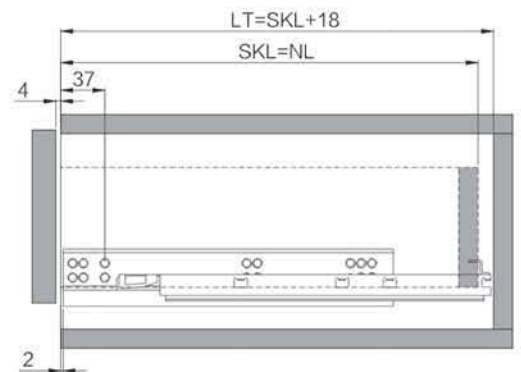


**Installation Dimension (mm)**

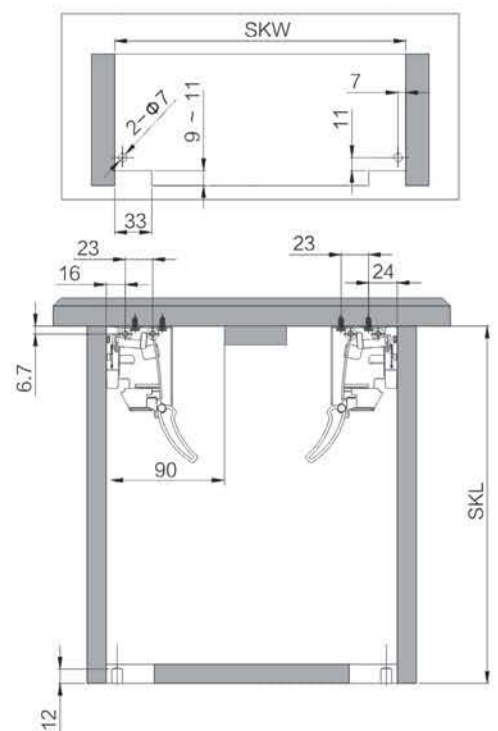


**Drawers Dimension (mm)**

SKL Drawer width  
 LT Inside cabinet length (min.)



**Drawers Box (mm)**

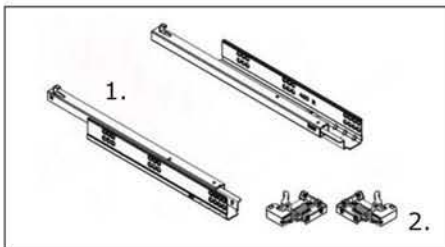
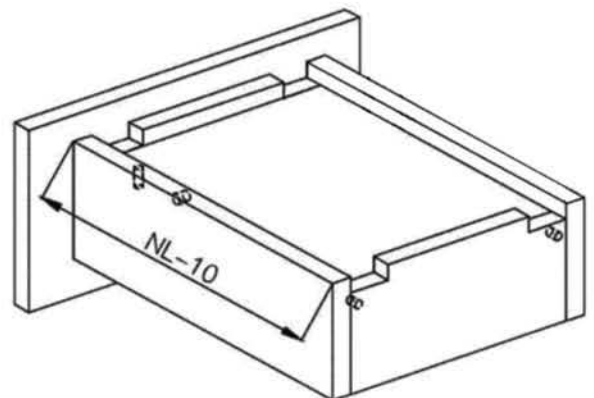



**Concealed Single Extensions, Soft Close Undermount slide**
**Features:**

- One-way extension
- Tool free assembly and removal of drawer
- Drawer height adjustment: 0~+3mm
- Loading capacity: 25Kg

**Consisting Items:**

1. Concealed drawer runners - Left / Right
2. Locking brackets

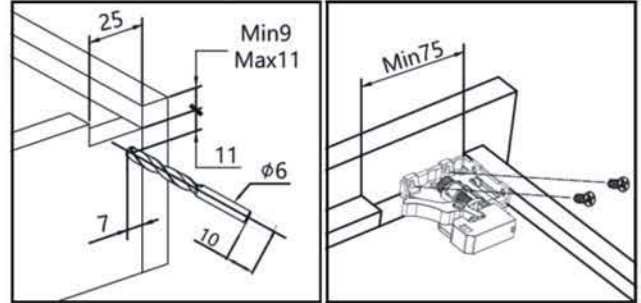
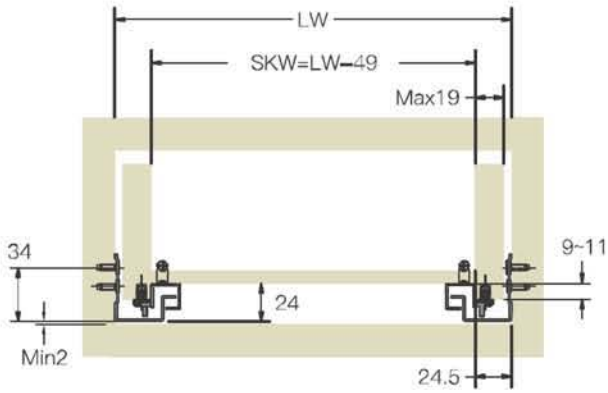
**Kit Package**

**Space Requirement**


Nominal Length NL	Soft close drawer item no.	Set/Pair
250mm	CRSE14625	1
300mm	CRSE14630	1
350mm	CRSE14635	1
400mm	CRSE14640	1
450mm	CRSE14645	1
500mm	CRSE14650	1
550mm	CRSE14655	1

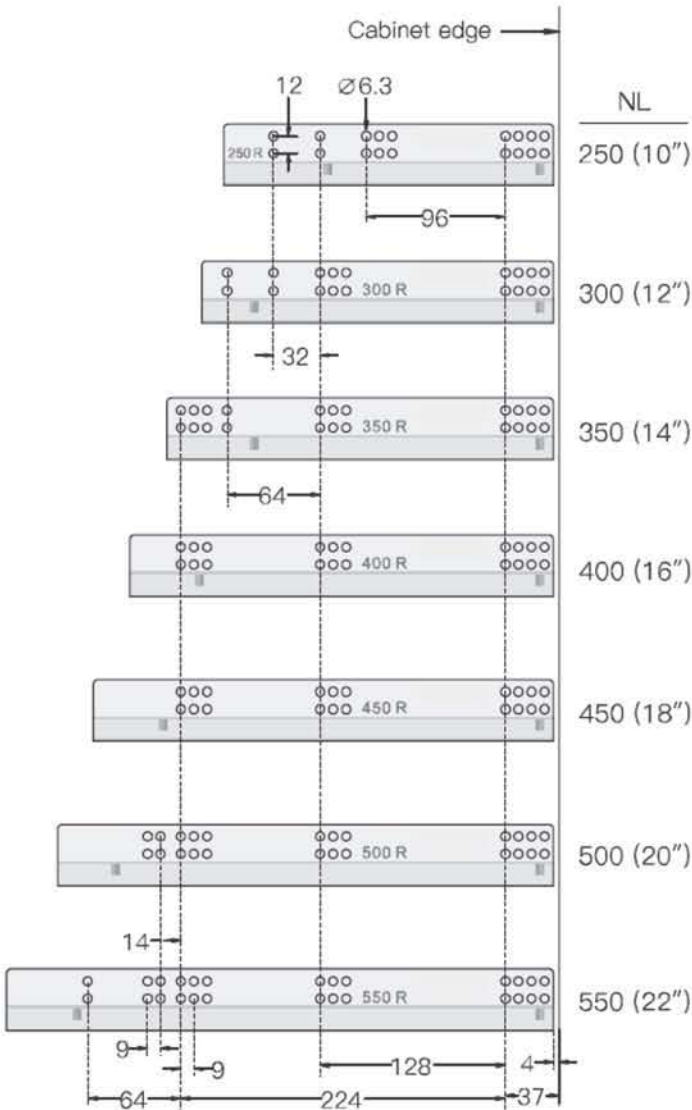
**Installation Dimension (mm)**

SKW= Internal drawer width  
LW= Internal cabinet width

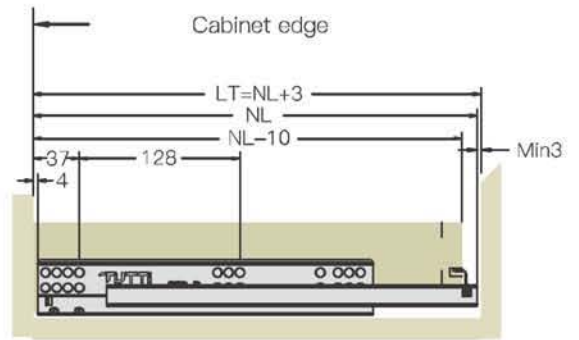
NL= Slide length  
LT= Internal cabinet depth



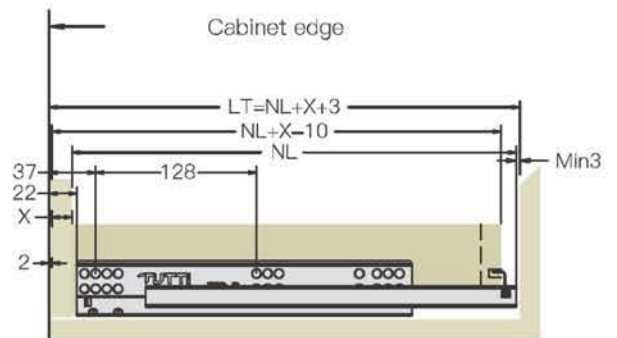
**Installation Dimension (mm)**



**Drawers Dimension (mm)**



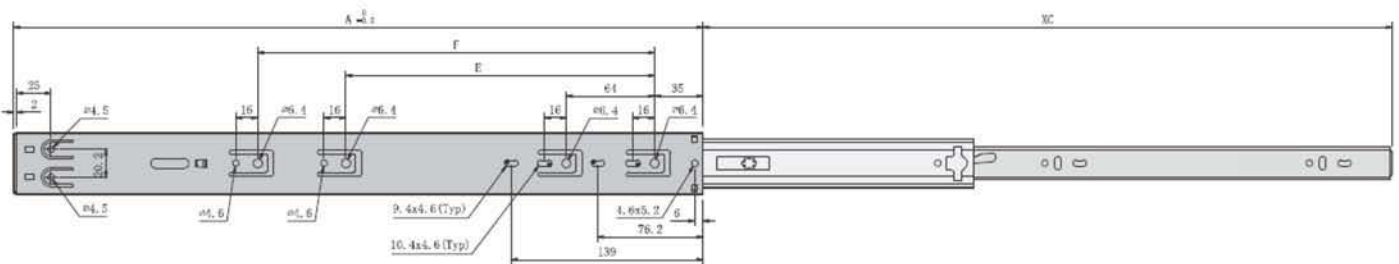
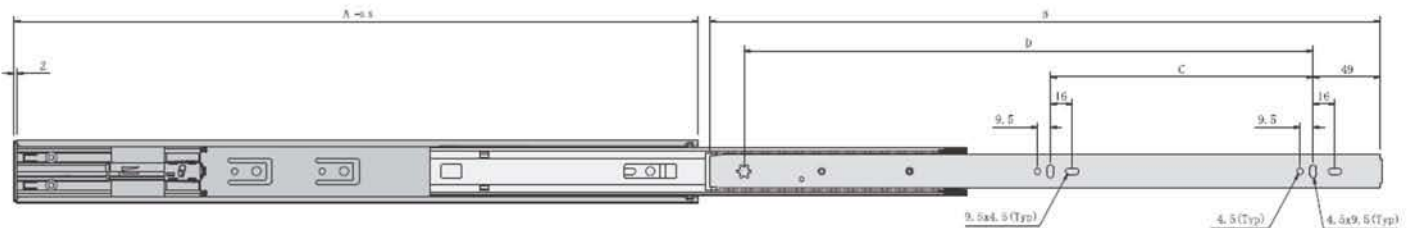
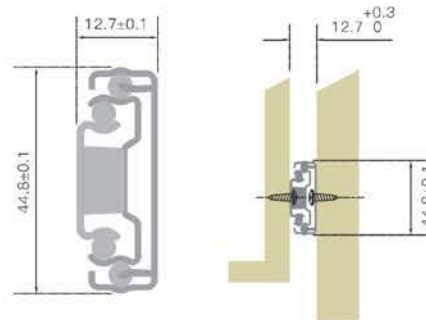
Standard Drawer



Internal Drawer

**Soft Close Full Extension Ball bearing Slides**
**Features:**

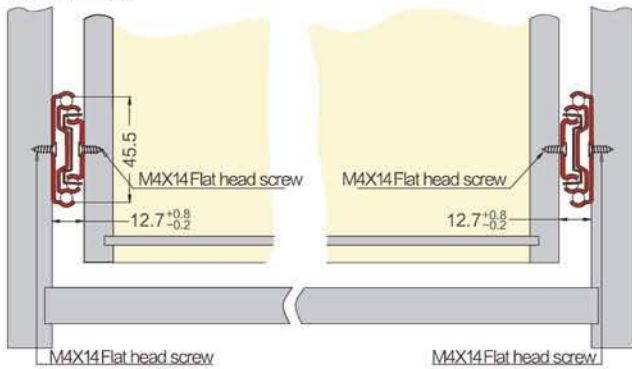
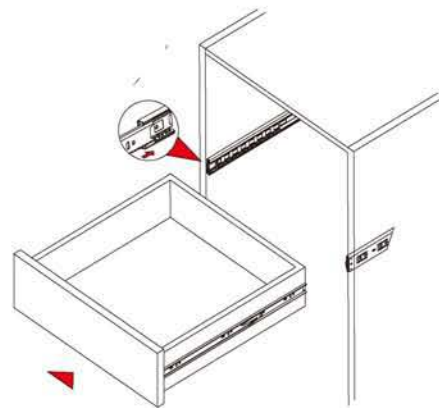
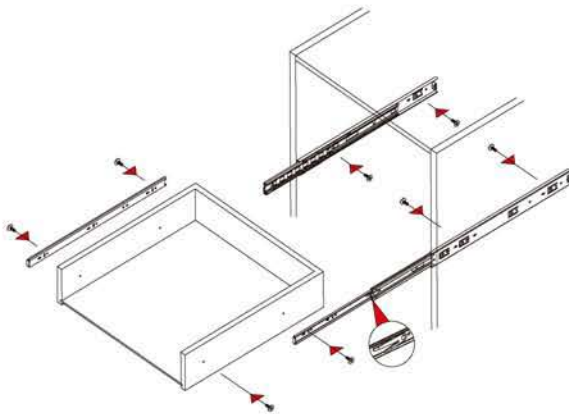
- Width: 44.8mm
- Thickness: 12.7mm ± 0.1 (1/2")
- Loading capacity: 35Kg
- Finish: Black, Zinc Plated
- Material thickness: 1.0x1.0x1.2mm



Nominal Length NL	Soft close drawer item no.	Set/Pair
250mm	BBRSC43225	1
300mm	BBRSC43230	1
350mm	BBRSC43235	1
400mm	BBRSC43240	1
450mm	BBRSC43245	1
500mm	BBRSC43250	1
550mm	BBRSC43255	1
600mm	BBRSC43260	1

**Non Soft Close Full Extension Ball bearing Slides**
**Features:**

- Width: 44.8mm
- Thickness: 12.7mm ± 0.1 (1/2")
- Loading capacity: 13Kg
- Finish: Black, Zinc Plated
- Material thickness: 1.0x1.0x1.2mm


**Assembly**

**Optional accessories**


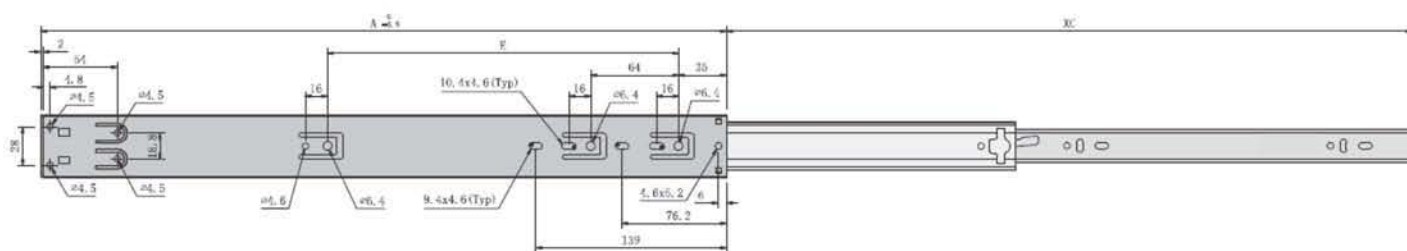
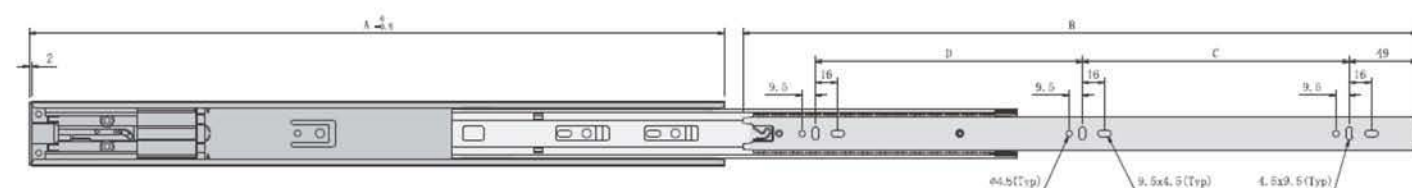
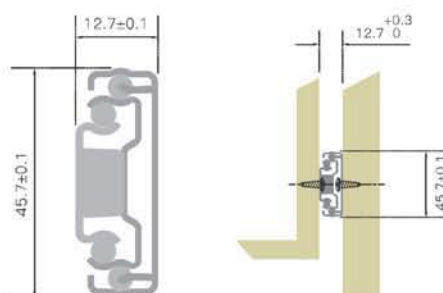
Nominal Length NL	Soft close drawer item no.	Set/Pair
250mm	BBR42225	1
300mm	BBR42230	1
350mm	BBR42235	1
400mm	BBR42240	1
450mm	BBR42245	1
500mm	BBR42250	1
550mm	BBR42255	1
600mm	BBR42260	1



**Push Open Full Extension Ball Bearing Slides**

**Features:**

- Width: 45.7mm
- Thickness: 12.7mm ± 0.1 (1/2")
- Loading capacity: 30kg
- Finish: Black, Zinc Plated
- Material thickness: 1.2x1.2x1.5mm

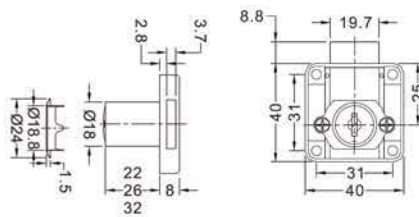


Nominal Length NL	Soft close drawer item no.	Set/Pair
300mm	BBRPO18730	1
350mm	BBRPO18735	1
400mm	BBRPO18740	1
450mm	BBRPO18745	1
500mm	BBRPO18750	1
550mm	BBRPO18755	1
600mm	BBRPO18760	1

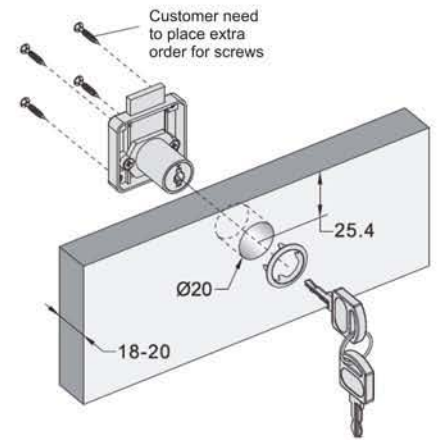


Cabinet Locking System 

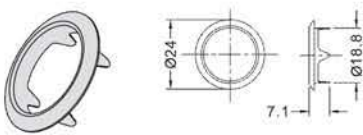
**Drawer Lock Ø18**



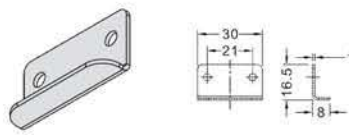
**Installation Diagram**



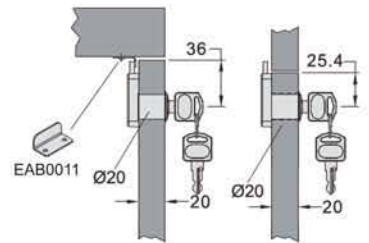
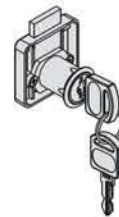
**Rosette Ø18**



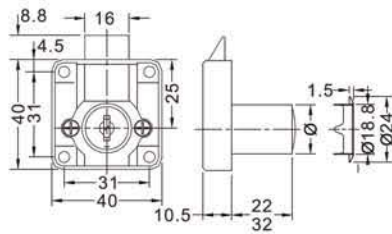
**L type strike plate**



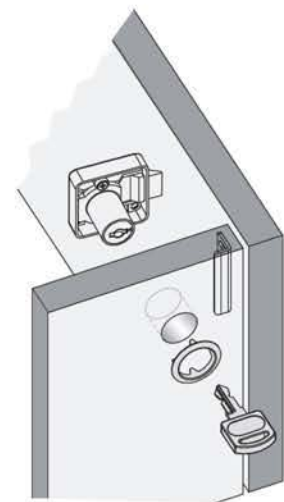
Item no.	Size				
EAN3100/22	22mm				
Available Finish: Nickel					



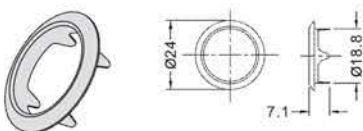
**Slam Lock Ø18**



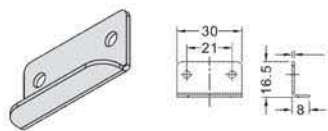
**Installation Diagram**



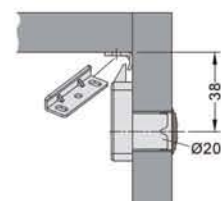
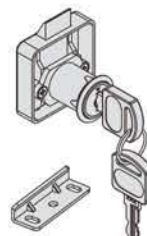
**Rosette Ø18**



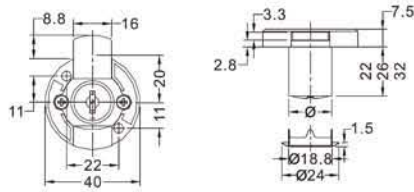
**L type strike plate**



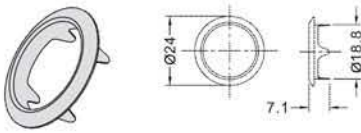
Item no.	Size					
EAN3102/22	22mm					
Available Finish: Nickel						



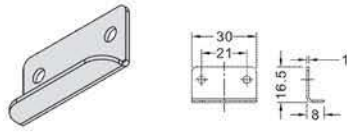
**Cupboard Lock Ø18**



**Rosette Ø18**



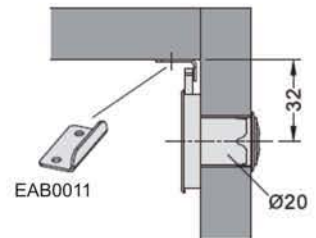
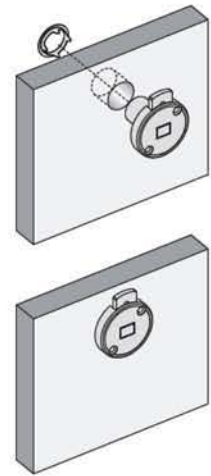
**L type strike plate**



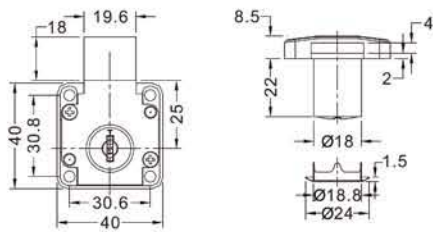
Item no.	Size				
EAN3103/22	22mm	SX3000B	3.5x16		
Available Finish: Nickel					



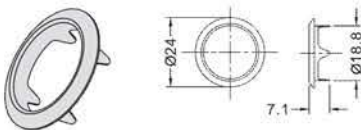
**Installation Diagram**



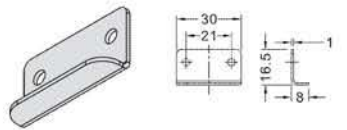
**Slam Lock Ø18**



**Rosette Ø18**



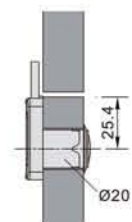
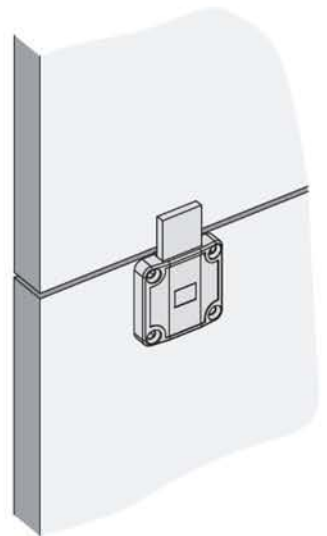
**L type strike plate**



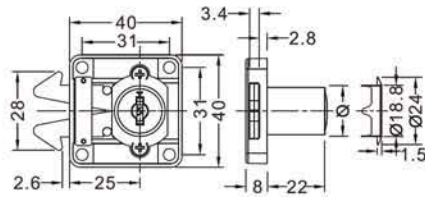
Item no.	Size				
EAN3105/22	22mm	SX3000B	3.5x16		
Available Finish: Nickel					



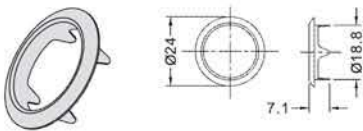
**Installation Diagram**



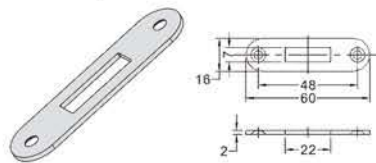
Roller shutter rim lock Ø18



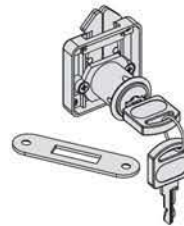
Rosette Ø18



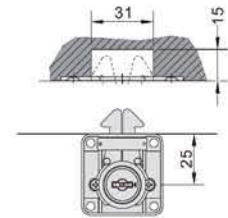
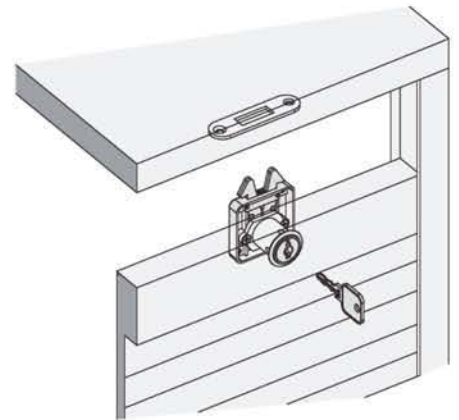
Strike plate



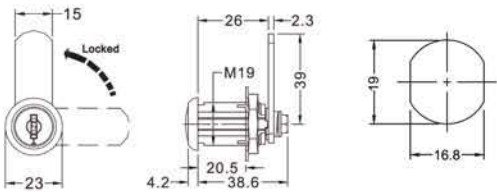
Item no.	Size		R	SX3000B	3.5x16	
EAN3110/22	22mm					
Available Finish: Nickel						



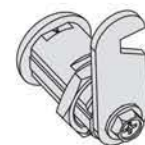
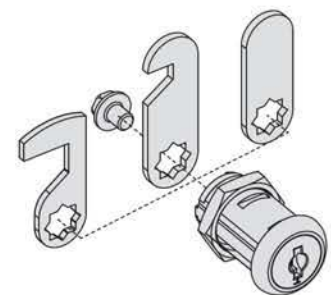
Installation Diagram



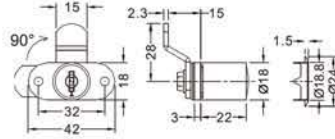
Cam lock 90°



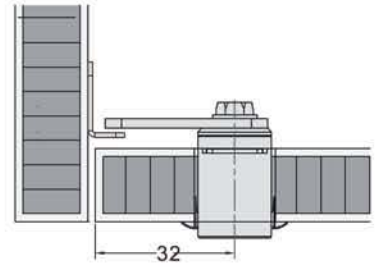
Item no.	Size		SX3000B		
EAN3201/30	30mm				
Available Finish: Nickel					



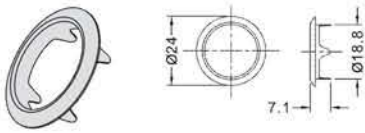
**Lever lock For wooden Ø18**



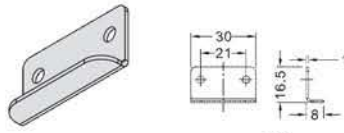
**Installation Diagram**



**Rosette Ø18**



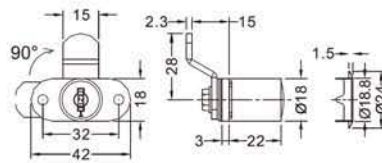
**L type strike plate**



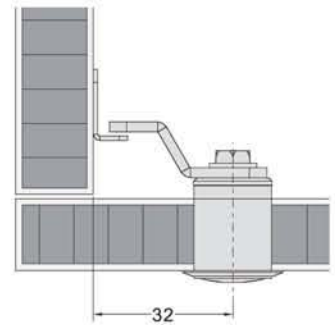
Item no.	Size		SX3000B	3.5x12	
EAN3202/22	22mm				
Available Finish: Nickel					



**Lever lock V for wooden Ø18**



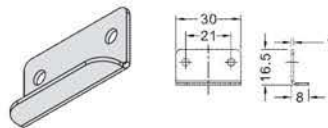
**Installation Diagram**



**Rosette Ø18**



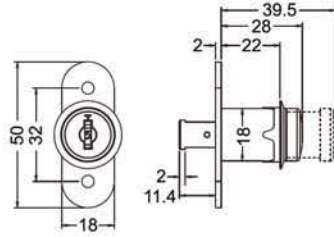
**L type strike plate**



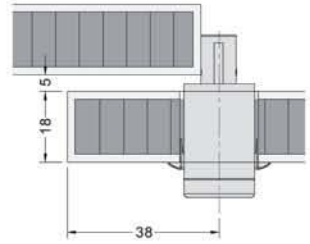
Item no.	Size		SX3000B	3.5x12	
EAN3203/22	22mm				
Available Finish: Nickel					



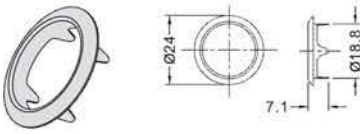
**Push lock Ø18**



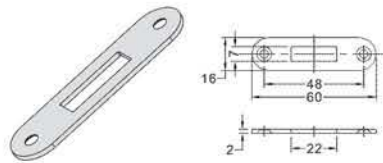
**Installation Diagram**



**Rosette Ø18**



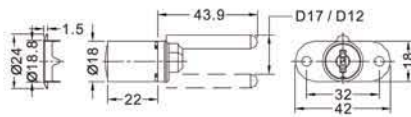
**Strike plate**



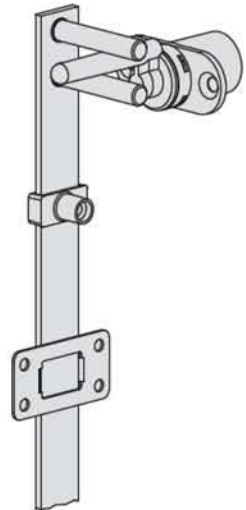
Item no.	Size				
EN3300/22	22mm				
Available Finish: Nickel					



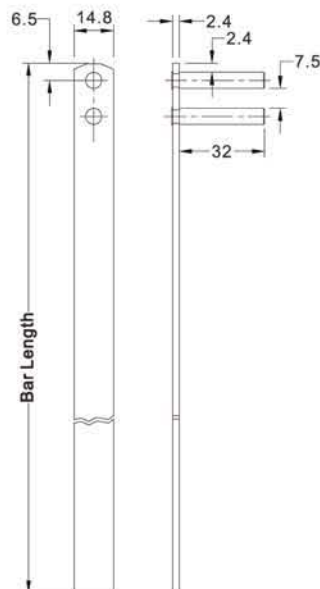
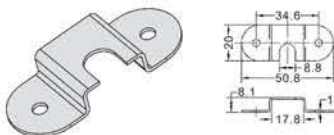
**Central Lock Front mount**



**Installation Diagram**

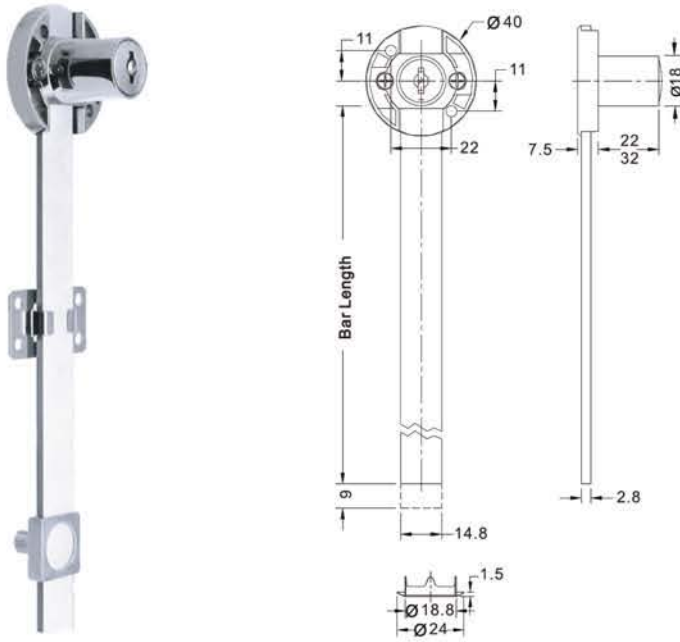


**Bar Guide**



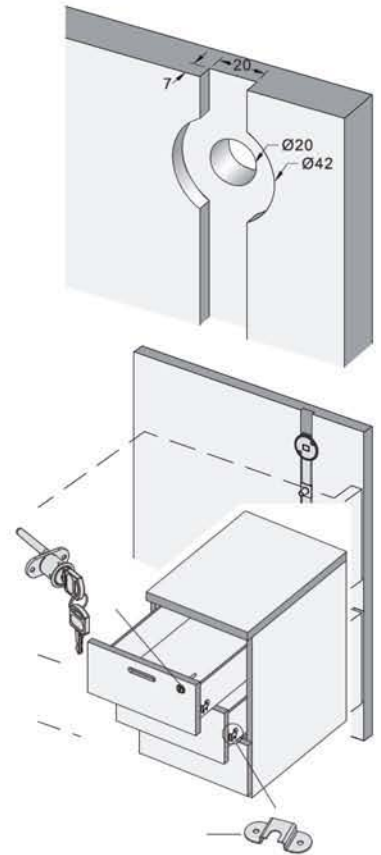
Item no.	Size
EAN3700/22	22mm
Available Finish: Nickel	

Central lock side mount Ø18

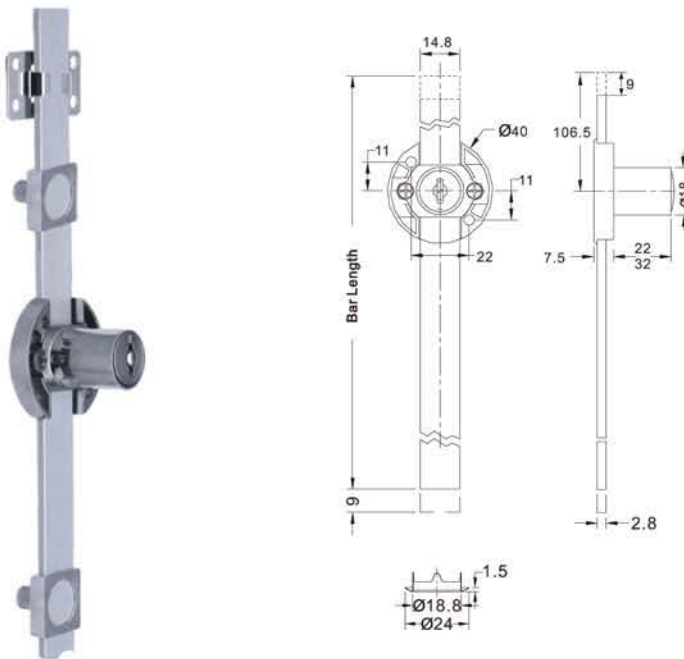


Item no.	Size				
EAN3800/22	22mm				
Available Finish: Nickel					

Installation Diagram

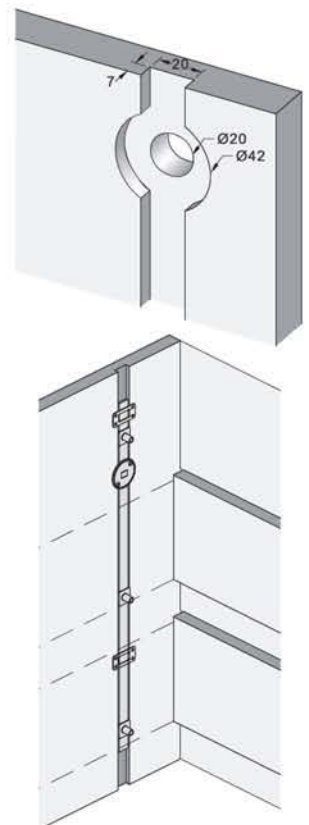


Central lock side mount Ø18



Item no.	Size				
EAN3801/22	22mm				
Available Finish: Nickel					

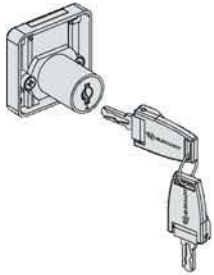
Installation Diagram



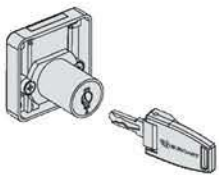


**Computer Key System Ø18 Cylinder**

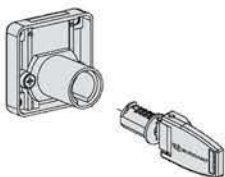
3000KN system lock is with very precise specification in lock body and key. Further more, the computer key with 8pcs plate lever has 6000 key combination.

**Removable core system**


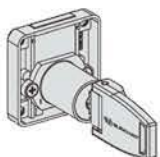
1. Put lock in state of open, take out standard key



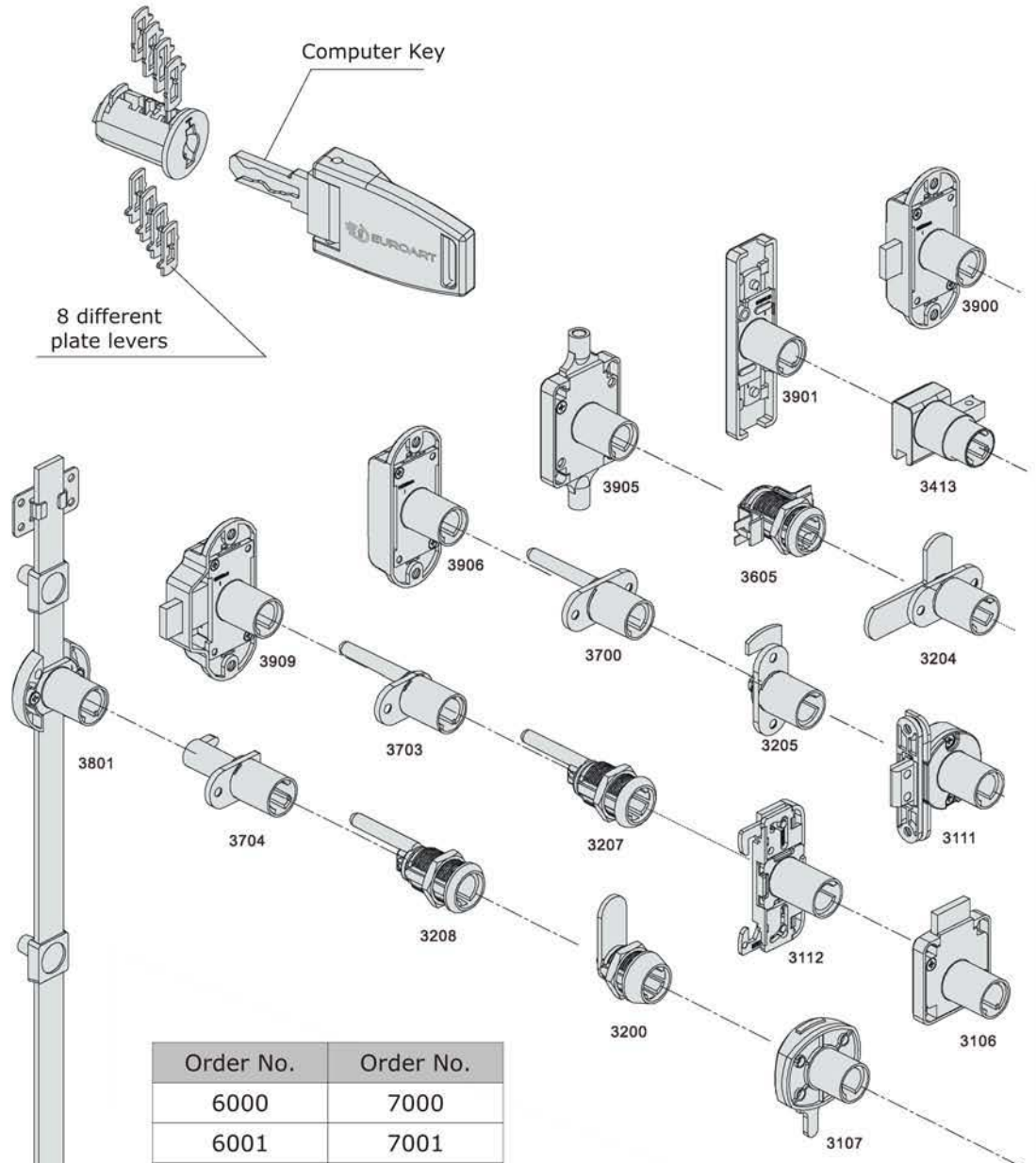
2. According to diagram, insert the removable key into core as the lock in the state of open



3. According to diagram, insert the removable key remove core out

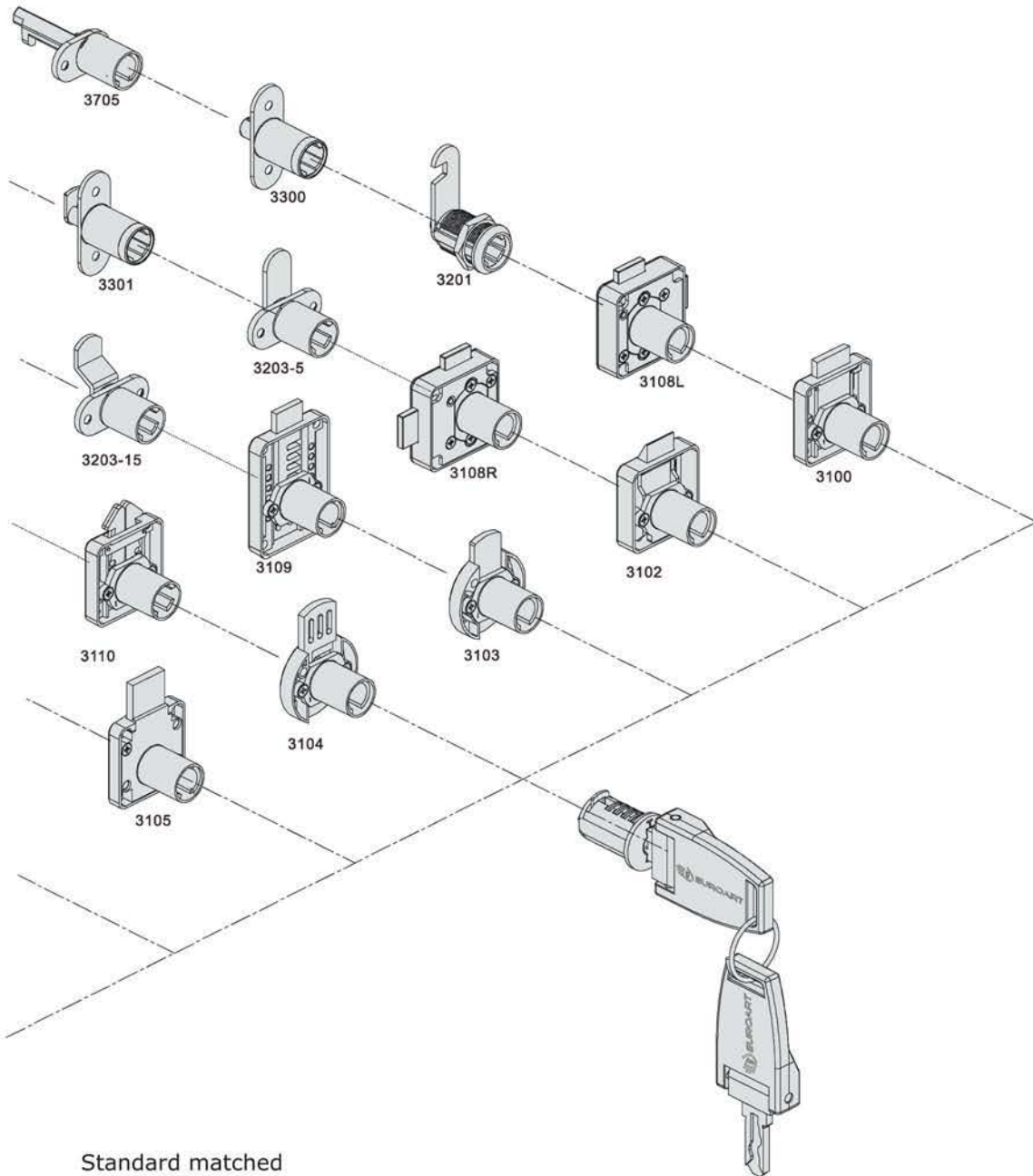
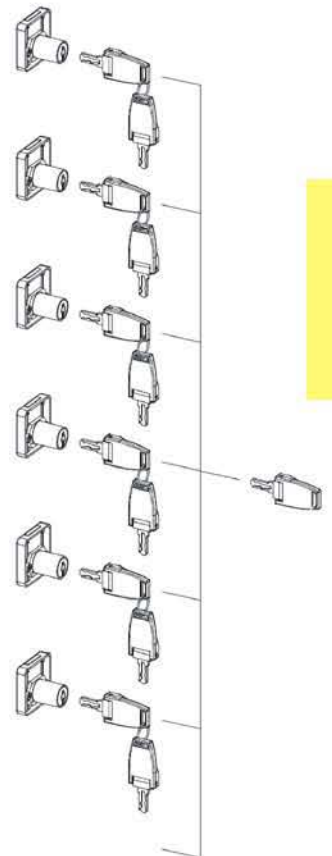


3. As installing, use removable key to insert core into lock housing, then press the rim of core softly to take out removable key



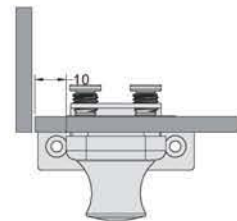
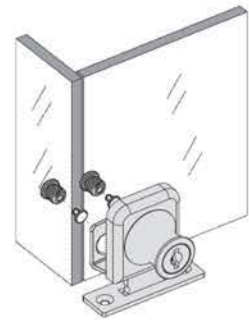
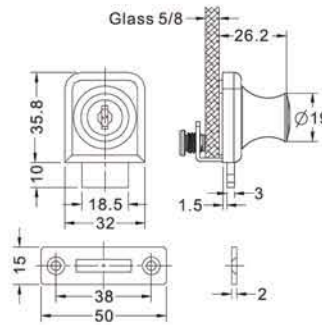
Order No.	Order No.
6000	7000
6001	7001
6002	7002
6003	7003
6004	7004
6005	7005
⋮	⋮
6996	7996
6997	7997
6998	7998
6999	7999

3000KN system lock evolves from 3000 system lock. It has the same appearance of lock body with 3000 system lock. But the internal structure of cylinder and key teeth are different. The only difference in item code of these two system lock is about key code, which indicates the kind of lock system. For example, KN292 Key is for 3000KN system lock, K292 is for 3000 system lock. If some lock of 3000KN system lock are not shown in below, their item code should be referred to the code of 3000 system lock


**Removable core system  
Master key system**

**Standard matched  
folding key**


Cabinet glass door lock (for single doors)

Installation Diagram

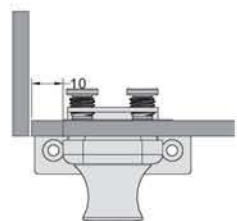
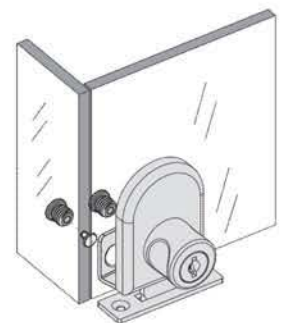
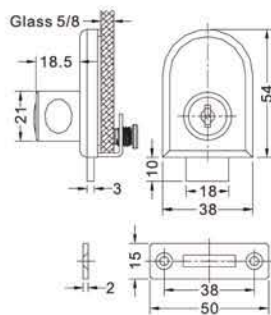


Item no.	Size		3.5x12
EAC6400/5	5mm		
Available Finish: Chrome			



Cabinet glass door lock (for single doors)

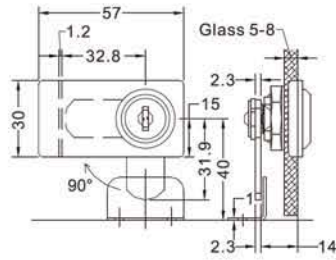
Installation Diagram



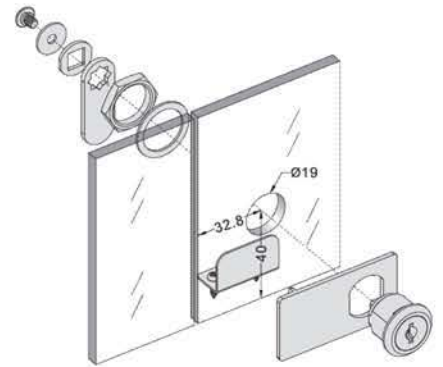
Item no.	Size		3.5x12
EAC6410/5	5mm		
Available Finish: Chrome			



Cabinet glass door lock (for double doors)



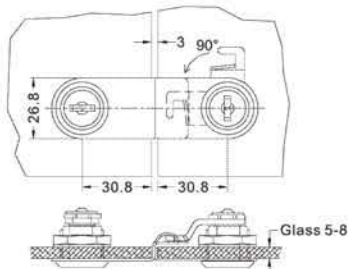
Installation Diagram



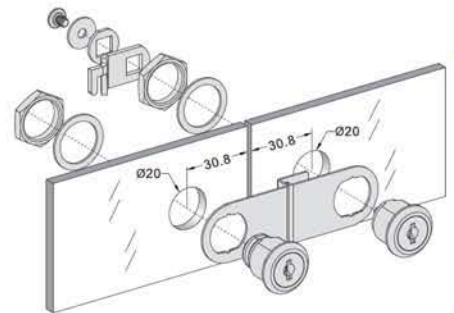
Item no.	Size		3.5x12
EAC6411/5	5mm		
Available Finish: Chrome			



Cabinet swing glass door lock



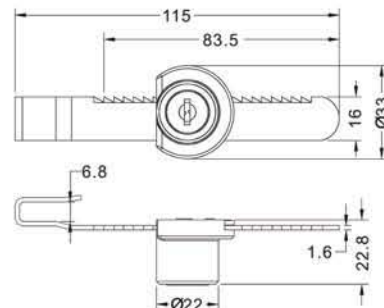
Installation Diagram



Item no.	Size		3.5x12
EAC6412/5	5mm		
Available Finish: Chrome			



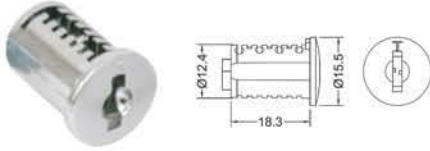
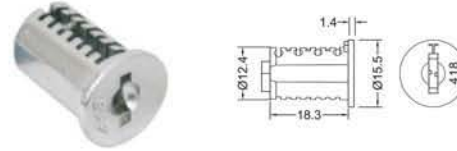
Cabinet glass door lock (for double doors)



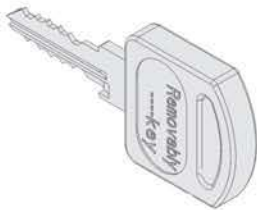
Item no.	Size		3.5x12
EAC6417/A	5mm		
Available Finish: Chrome			



**System 3000 cylinder available for all lock in this system. as well as applicable on the left or right.**

**Standard SX3000B**

**Order Specially SX3000A**


Roll	Removable core key
N.Sx3000BK/A	Key Alike Cylinder
N.Sx3000BK/D	Keyed Difference cylinder
Mo11	Master Key

**Removable Key**

**Master Key**


Removable key	Master key
Item no.	Item no.
R011	M011
	M001
	M002
	M004
	M005

**Key Difference N.Sx3000 BK/D**

Order no. A	Order no. B	Order no. C	Order no. D	Order no. E	Order no. F
101	301	201	401	501	701
102	302	202	402	502	702
103	303	203	403	503	703
104	304	204	404	504	704
105	305	205	405	505	705
106	306	206	406	506	706
107	307	207	407	507	707
108	308	208	408	508	708
•	•	•	•	•	•
•	•	•	•	•	•
•	•	•	•	•	•
•	•	•	•	•	•
•	•	•	•	•	•
193	393	293	493	593	793
194	394	294	494	594	794
195	395	295	495	595	795
196	396	296	496	596	796
197	397	297	497	597	797
198	398	298	498	598	798
199	399	299	499	599	799

**Key alike chart SX3000A**

No.	Key no.
1	319
2	398
3	368
4	304
5	313
6	419
7	498
8	468
9	404
10	413



Item no.	Finish
K393	Black



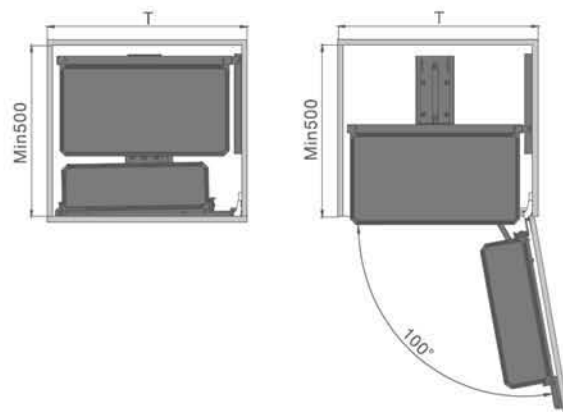
Item no.	Finish
K12	Black



## Glass Swivel Pull Out Basket

### Features

- Perfect connection between basket & door
- Clear classification, more storage space, convenient and smooth operation
- Flat glass basket and heavy duty slide
- Total loading capacity: 70kg
- Loading capacity per layer: 11.5Kg
- Cabinet width: 450 & 600mm
- Finish: Dark grey

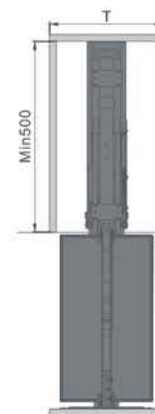


Item Code	Layers	Cabinet Width (mm)	WxDxH (mm)
KG1208S.2-45/DG	2	450	410x500x585
KG1208S.2-60/DG	2	600	560x500x585
KG1208S.4-45/DG	4	450	410x500x1090
KG1208S.4-60/DG	4	600	560x500x1090
KG1208S.6-45/DG	6	450	410x500x1690
KG1208S.6-60/DG	6	600	560x500x1690

## Glass Soft Closing Tall Unit Basket

### Features

- Clear classification, more storage space, convenient and smooth operation
- Flat glass basket and heavy duty slide
- Total loading capacity: 70kg
- Loading capacity per layer: 10kg
- Cabinet width: 150, 300 & 400mm
- Finish: Dark grey



Item Code	Layers	Cabinet Width (mm)	WxDxH (mm)
KG1205S.6-15/DG	6	150	113x500x1970-2270
KG1205S.6-30/DG	6	300	245x500x1970-2270
KG1205S.6-40/DG	6	400	345x500x1970-2270

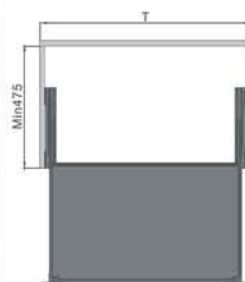




### Glass Three Sides Basket

#### Features

- Clip-on two way slow motion slides
- Soft closing distance: 53mm
- For pots, big plates and plastic holders etc
- Glass three sides basket with synchronised concealed slides
- Loading capacity: 15kg
- Finish: Dark grey



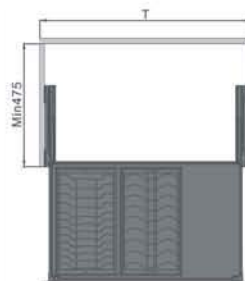
Item Code	Cabinet Width (mm)	WxDxH (mm)
KG2352S-60/DG	600	564x471x175
KG2352S-70/DG	700	664x471x175
KG2352S-75/DG	750	174x471x175
KG2352S-80/DG	800	764x471x175
KG2352S-90/DG	900	864x471x175



### Glass Three Sides Basket

#### Features

- Clip-on two way slow motion slides
- Soft closing distance: 53mm
- For pots, big plates and plastic holders etc
- Glass three sides basket with synchronised concealed slides
- Loading capacity: 15kg
- Finish: Dark grey



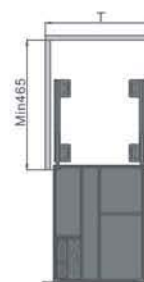
Item Code	Cabinet Width (mm)	WxDxH (mm)
KG2353S-60/DG	600	564x471x175
KG2353S-70/DG	700	664x471x175
KG2353S-75/DG	750	714x471x175
KG2353S-80/DG	800	764x471x175
KG2353S-90/DG	900	864x471x175



### Glass Multi Basket

#### Features

- Clip-on two way slow motion slides with glass multi-basket
- Soft closing distance: 53mm
- For pots, big plates and plastic holders etc
- Loading capacity: 35kg
- Finish: Dark grey



Item Code	Cabinet Width (mm)	WxDxH (mm)
KG2428S-30/DG	300	250x460x523
KG2428S-35/DG	350	300x460x523
KG2428S-40/DG	400	350x460x523
KG2428S-45/DG	450	400x460x523



### Side Mounted Basket

#### Features

- Clip-on two way slow motion slides with glass multi-basket
- Soft closing distance: 53mm
- Basket freely combination, left and right installation for choice
- For all kinds of spice bottles
- Loading capacity: 15kg
- Finish: Dark grey



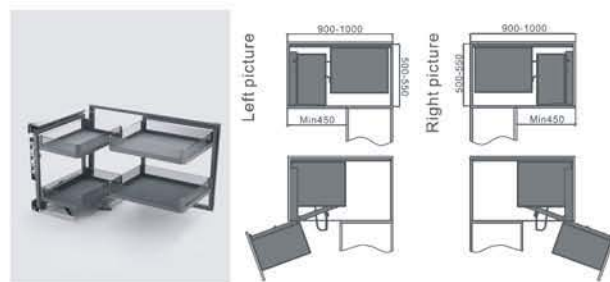
Item Code	Cabinet Width (mm)	WxDxH (mm)
KG2358SR-20/DG	200	152x490x585
KG2358SL-20/DG	200	152x490x585



## Glass Magic Corner

### Features

- Soft closing, basket freely combination for corner space, left and right installation for choice
- For pots, big plates etc
- High strength steel frame, movable glass basket
- Loading capacity: 27kg
- Finish: Dark grey



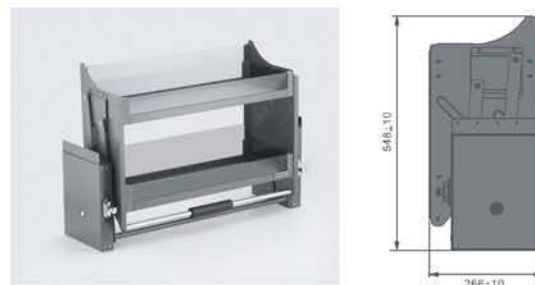
Item Code	Cabinet Width	WxDxH (mm)
KG2106SR-90/DG	Min 900mm	860-968x500-550x530
KG2106SL-90/DG	Min 900mm	860-968x500-550x530



## Lift Basket

### Features

- Soft opening and closing, adjustable loading capacity, reasonable use of wall cupboard space
- For Pans, big plates
- Strong frame, two layers glass basket
- Loading capacity: 15kg
- Finish: Dark grey

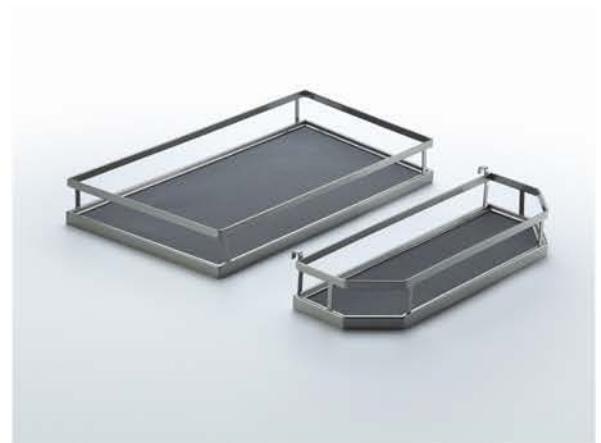
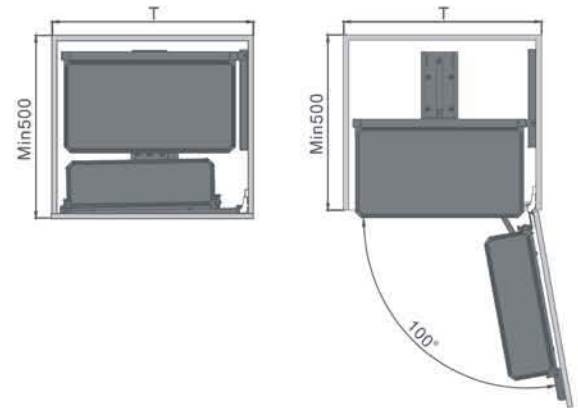


Item Code	Cabinet Width	WxDxH (mm)
KG3303S-60/DG	600mm	560x280x560
KG3303S-70/DG	700mm	660x280x560
KG3303S-80/DG	800mm	760x280x560
KG3303S-90/DG	900mm	860x280x560

## Soft Closing Swivel Pull Out Basket

### Features

- Perfect connection between basket & door
- Clear classification, more storage space, convenient and smooth operation
- Flat steel basket and heavy duty slide
- Total Loading capacity: 70kg
- Loading capacity per layer: 10kg
- Cabinet width: 450 & 600mm
- Finish: Chrome

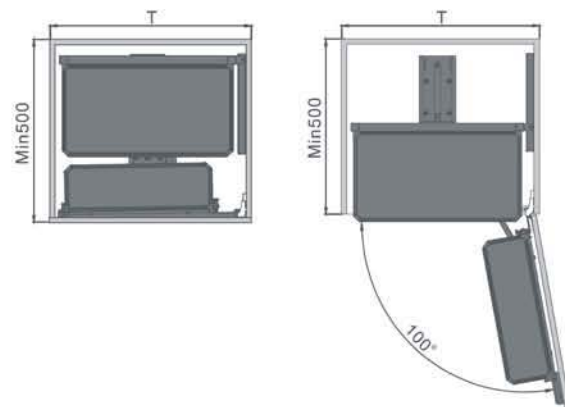


Item Code	Layers	Cabinet Width (mm)	WxDxH (mm)
KW1208S.6-45/CP	6	450	410x500x1690
KW1208S.6-60/CP	6	600	560x500x1690

## Soft Closing Tall Unit Basket

### Features

- Perfect connection between basket & door
- Clear classification, more storage space, convenient and smooth operation
- Flat steel basket and heavy duty slide
- Total loading capacity: 46kg
- Cabinet width: 450 & 600mm
- Finish: Chrome

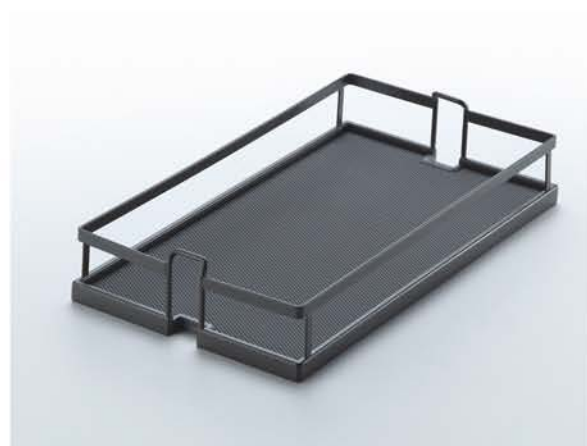
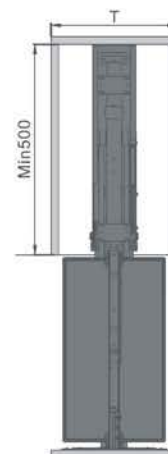


Item Code	Layers	Cabinet Width (mm)	WxDxH (mm)
KW1208S.4-45/CP	4	450	410x500x1090
KW1208S.4-60/CP	4	600	560x500x1090
KW1208S.2-45/CP	2	450	410x500x585
KW1208S.2-60/CP	2	600	560x500x585

## Soft Closing Tall Unit Basket

### Features

- Clear classification, more storage space
- Flat steel basket and heavy duty slide
- Total loading capacity: 70Kg
- Loading capacity per layer: 10Kg
- Cabinet width: 150, 300 & 400mm
- Finish: Chrome

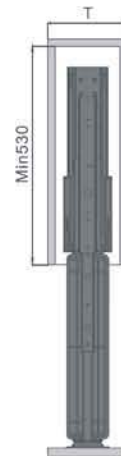


Item Code	Layers	Cabinet Width (mm)	WxDxH (mm)
KW1205S.6-15/CP	6	150	113x500x1970-2270
KW1205S.6-30/CP	6	300	245x500x1970-2270
KW1205S.6-40/CP	6	400	345x500x1970-2270

## Soft Closing Swivel Pull Out Basket

### Features

- Clear classification, more storage space, convenient and smooth operation
- Wire basket and heavy duty slide
- Total loading capacity: 65kg
- Loading capacity per layer: 10kg
- Cabinet width: 150mm
- Finish: Chrome



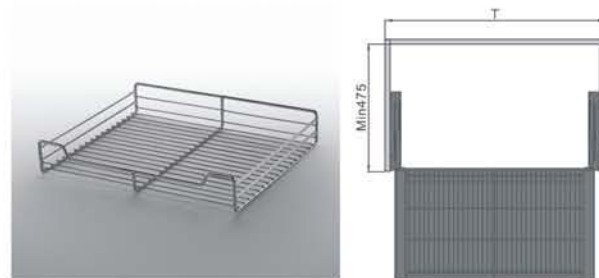
Item Code	Layers	Cabinet Width (mm)	WxDxH (mm)
KW1207S.6-15/CP	6	150	105x505x1970x2270



### Four Sides Basket

#### Features

- Clip-on two way slow motion slides with four sides baskets
- Soft closing distance: 53mm
- For pots, big plates and plastic holders etc
- Loading capacity: 15kg
- Finish: Matt Nickel



Item Code	Cabinet Width (mm)	WxDxH (mm)
KW2359S-60/MN	600	564x471x185
KW2359S-70/MN	700	664x471x185
KW2359S-75/MN	750	714x471x185
KW2359S-80/MN	800	764x471x185
KW2359S-90/MN	900	864x471x185



### Multi Basket

#### Features

- Clip-on two way slow motion slides with multi-baskets
- Soft closing distance: 53mm
- For pots, big plates and plastic holders etc
- Loading capacity: 15kg
- Finish: Grey



Item Code	Cabinet Width (mm)	WxDxH (mm)
KW2430S-30/Grey	300	234x474x530
KW2430S-40/Grey	400	343x474x530





## Multi Basket

### Features

- Clip-on two way slow motion slides with multi baskets
- Soft closing distance: 53mm
- For pots, big plates and plastic holders etc
- Loading capacity: 35kg
- Finish: Grey



Item Code	Cabinet Width (mm)	WxDxH (mm)
KW2424S-30/Grey	300	264x450x546
KW2424S-40/Grey	400	364x450x546
KW2424S-45/Grey	450	414x450x546



## Two Layers Basket

### Features

- Clip-on two way slow motion slides, with wooden bottom and two layers wire baskets
- Soft closing distance: 53mm
- For pots, big plates, bottles, jars etc
- Loading capacity: 35kg
- Finish: Chrome



Item Code	Cabinet Width (mm)	WxDxH (mm)
KW2420S-30/CP	300	240x460x500
KW2420S-35/CP	350	290x460x500
KW2420S-40/CP	400	340x460x500
KW2420S-50/CP	500	440x460x500



### Side Mounted Basket

#### Features

- Clip-on two way slow motion slide with side mounted baskets
- Soft closing distance: 53mm
- Basket freely combination, left and right installation for choice
- For all kinds of spice bottles
- Loading capacity: 15kg
- Finish: Chrome



Item Code	Cabinet Width (mm)	Wxdxh (mm)
KW2335SR-15/CP	150	108x465x550
KW2335SL-15/CP	150	108x465x550
KW2335SR-20/CP	200	150x465x550
KW2335SL-20/CP	200	150x465x550



### Side Mounted Basket

#### Features

- Clip-on two way slow motion slides with side mounted baskets
- Soft closing distance: 53mm
- Basket freely combination, left and right installation for option
- For all kinds of spice bottles
- Loading capacity: 15kg
- Finish: Grey



Item Code	Layers	Cabinet Width (mm)	Wxdxh (mm)
KW2348SR.2-20/Grey	2	200	152x490x585
KW2348SL.2-20/Grey	2	200	152x490x585
KW2348SR.3-20/Grey	3	200	152x490x585
KW2348SL.3-20/Grey	3	200	152x490x585



## Side Mounted Basket

### Features

- Clip-on two way slow motion slides for side mounted baskets
- Soft closing distance: 53mm
- Basket freely combination, left and right installation for choice
- For all kinds of spice bottles
- Loading capacity: 15kg
- Finish: Grey



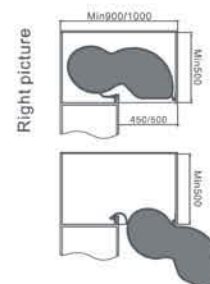
Item Code	Cabinet Width (mm)	WxDxH (mm)
KW2360SR-15/Grey	150	105x482x510
KW2360SL-15/Grey	150	105x482x510
KW2360SR-20/Grey	200	155x482x510
KW2360SL-20/Grey	200	155x482x510



## Two Layers S-Tray

### Features

- Two way slow motion: Make good use of corner space, left and right installation for choice, 15kg loading capacity of each layer
- For pots, big plates etc
- Soft closing two layers s-tray
- Total loading capacity: 30kg
- Finish: Matt Nickel



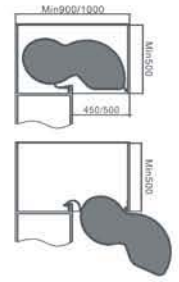
Item Code	Cabinet Width (mm)	WxDxH (mm)
KW2202SR-90/MN	Min 900	830x440x540
KW2202SL-90/MN	Min 900	830x440x540



## Two Layer S-Tray

### Features

- Two way slow motion for corner space, left and right installation for choice, 15kg loading capacity of each layer
- For pots, big plates etc
- Soft closing two layers s-tray
- Total loading capacity: 30kg
- Finish: Grey+Chrome



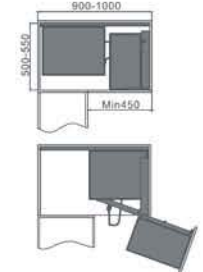
Item Code	Cabinet Width (mm)	WxDxH (mm)
KW2202SR-90/G+CP	Min 900	840x460x595
KW2202SL-90/G+CP	Min 900	840x460x595



## Magic Corner

### Features

- Soft closing, basket freely combination for corner space, left and right installation for option
- For pots, big plates etc
- High strength steel frame, movable wood panel baskets
- Loading capacity: 27kg
- Finish: Matt Nickel



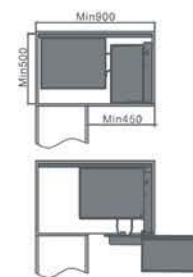
Item Code	Cabinet Width (mm)	WxDxH (mm)
KW2106SR-90/MN	Min 900	860x968x500-500x530
KW2106SL-90/MN	Min 900	860x968x500-500x530



### Magic Corner

#### Features

- Soft closing, basket freely combination for corner space, left and right installation for option
- For pots, big plates etc
- High strength steel frame, movable wood panel basket
- Loading capacity: 27kg
- Finish: Chrome



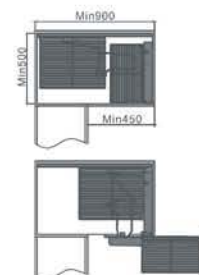
Item Code	Cabinet Width (mm)	WxDxH (mm)
KW2106SR-90/CP	Min 900	860x498x516
KW2106SL-90/CP	Min 900	860x498x516



### Magic Corner

#### Features

- Soft closing, basket freely combination for corner space, left and right installation for option
- For pots, big plates etc
- High strength steel frame, movable wire type basket
- Loading capacity: 27kg
- Finish: Chrome



Item Code	Cabinet Width (mm)	WxDxH (mm)
KW2106SR-90S/CP	Min 900	860x498x516
KW2106SL-90S/CP	Min 900	860x498x516



## Stainless Steel Dish Rack

### Features

- High-strength stainless steel dish rack
- Better classification for bowls and plates
- Finish: Chrome



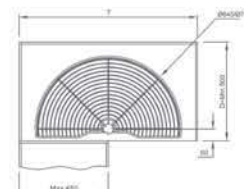
Item Code	Cabinet Width (mm)	WxDxH (mm)
KW3103-60/SS	600	565x280x65
KW3103-70/SS	700	665x280x65
KW3103-80/SS	800	765x280x65
KW3103-90/SS	900	865x280x65
KW3103-100/SS	1000	965x280x65



## Revolving Baskets

### Features:

- Area of applications: For overlay doors
- Material: Steel - spindle and carousels  
plastic - bearing components
- Finish: Spindle and carousels: Chrome plated,  
Bearing components: White

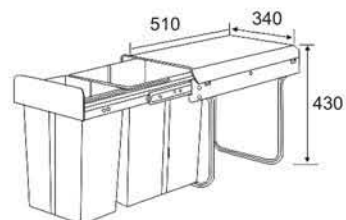


Item Code	Cabinet Width (mm)	WxDxH (mm)
WIRE180-80/CP	800	645x400x600-750
WIRE180-90/CP	900	745x400x600-750
WIRE270-80/CP	800	645x400x600-750
WIRE270-90/CP	900	745x400x600-750
WIRE360-80/CP	800	645x400x600-750
WIRE360-90/CP	900	745x400x600-750



### Bottom Mounted Dust Bin With Normal Slide

Finish: White/Grey

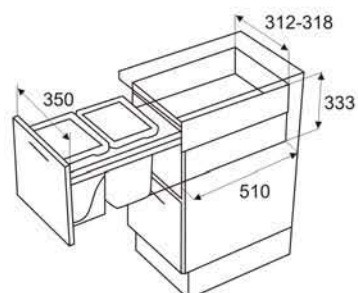


Item Code	Capacity	Size (mm)
EADB-20A	40L (2x20L)	340x510x430



### Waste Bin with Soft Closing Slide

Finish: White/Grey

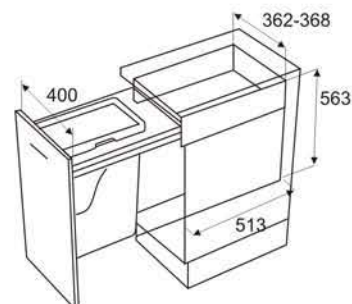


Item Code	Capacity	Size (mm)
EASTD350-13NS	26L (2x13L)	312-318x510x333



### Waste Bin with Soft Closing Slide

Finish: White/Grey



Item Code	Capacity	Size (mm)
EASTD400-35NS	35L (1X35L)	362-368x513x563

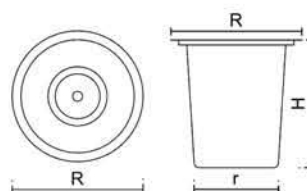

**Door Mounted Dust Bin**

Finish: Silver

Item Code	Capacity	Size (mm)
EAWBINS14L	14L	335x275x350
EAWBINS09L	9L	310x255x330


**Work Top Waste Bin**

Finish: White



Item Code	Capacity	Size (mm)
EAWBINS07L	7L	270x175x260



## Aluminium Divider System

### Features:

- An effective way to store and separate your cutlery
- Manufactured from high quality aluminium
- Totally modular to fit in any drawer systems
- Hygienic, can be easily removed for cleaning



### Cabinet width: 400mm



Item code.	DIV3104D-405/DG
Nominal Length	450mm

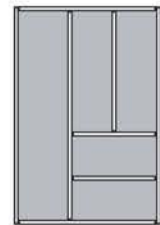


Item code.	DIV3104D-406/DG
Nominal Length	500mm

### Cabinet width: 450mm



Item code.	DIV3104D-455/DG
Nominal Length	450mm

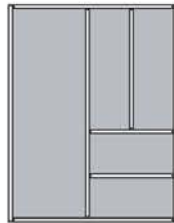


Item code.	DIV3104D-456/DG
Nominal Length	500mm

### Cabinet width: 500mm

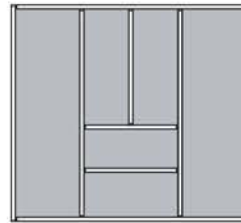


Item code.	DIV3104D-505/DG
Nominal Length	450mm

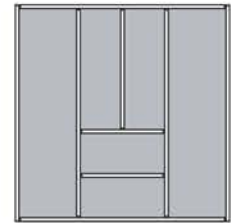


Item code.	DIV3104D-506/DG
Nominal Length	500mm

### Cabinet width: 600mm

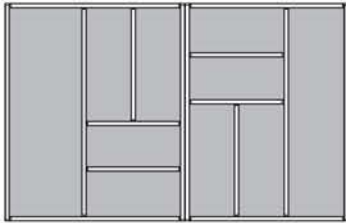


Item code.	DIV3104D-605/DG
Nominal Length	450mm

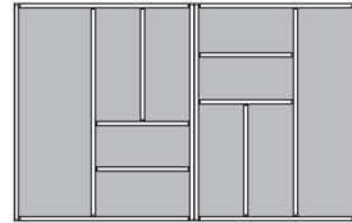


Item code.	DIV3104D-606/DG
Nominal Length	500mm

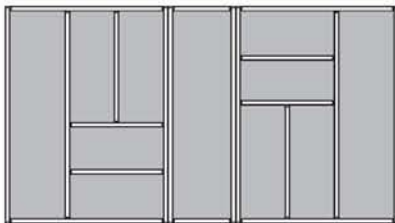
Cabinet width / Nominal length	450	500
400	276 x 423	276 x 473
450	326 x 423	326 x 473
500	376 x 423	376 x 473
600	476 x 423	476 x 473
800	676 x 423	676 x 473
900	776 x 423	776 x 473
1000	876 x 423	876 x 473
1200	1076 x 423	1076 x 473

**Cabinet width: 800mm**


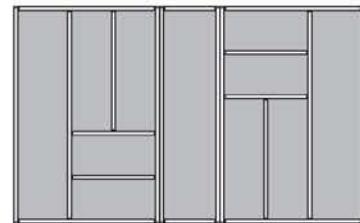
Item code.	DIV3104D-805/DG
Nominal Length	450mm



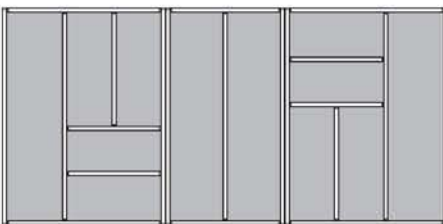
Item code.	DIV3104D-0806/DG
Nominal Length	500mm

**Cabinet width: 900mm**


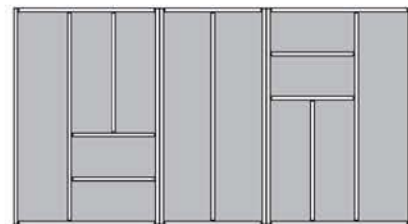
Item code.	DIV3104D-905/DG
Nominal Length	450mm



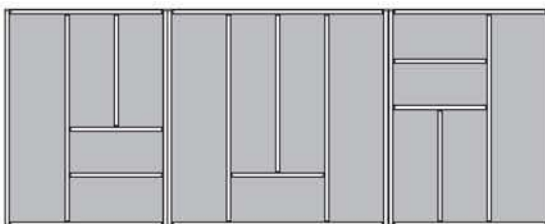
Item code.	DIV3104D-906/DG
Nominal Length	500mm

**Cabinet width: 1000mm**


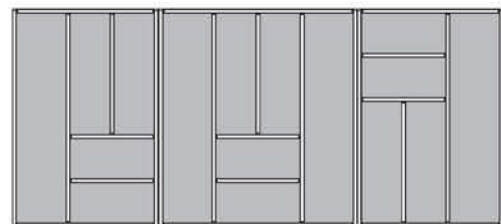
Item code.	DIV3104D-1005/DG
Nominal Length	450mm



Item code.	DIV3104D-1006/DG
Nominal Length	500mm

**Cabinet width: 1200mm**


Item code.	DIV3104D-1205/DG
Nominal Length	450mm



Item code.	DIV3104D-1206/DG
Nominal Length	500mm

## Stainless Steel Cutlery Set

### Features:

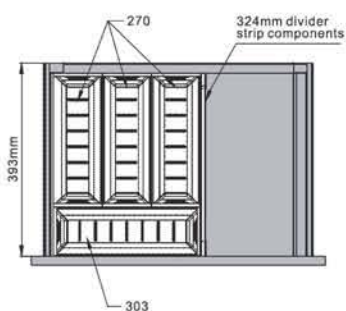
- An effective way to store and separate your cutlery
- Manufactured from high quality stainless steel Grade 304
- Totally modular to fit in any drawer systems
- Hygienic, can be easily removed for cleaning



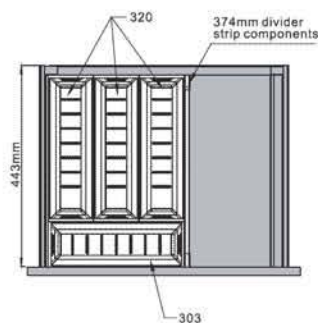
Stainless steel divider box		
Description	Length	Stainless steel divider box
	270mm	CUT3301C1-270/SS
	303mm	CUT3301C1-303/SS
	320mm	CUT3301C1-320/SS

Aluminium Divider Components		
Description	Length	Aluminium Divider Components
	374mm	DIV3103C1-374/DG
	424mm	DIV3103C1-424/DG
	474mm	DIV3103C1-474/DG

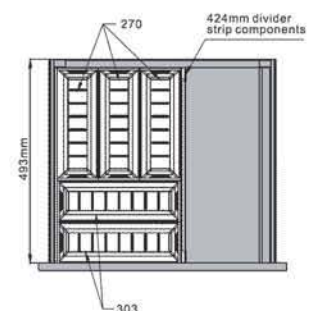
### Assembly solution for L 400mm



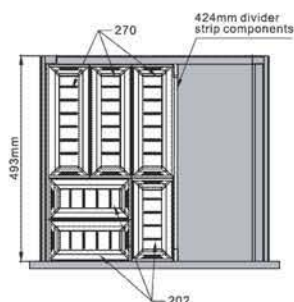
### Assembly solution for L 450mm



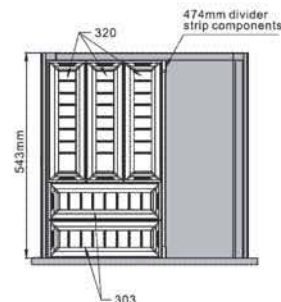
### Assembly solution I for L 500mm



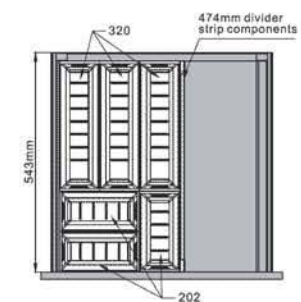
### Assembly solution II for L 500mm



### Assembly solution I for L 550mm




### Assembly solution II for L 550mm



**Wooden Drawer - Cutlery Set**
**Features:**

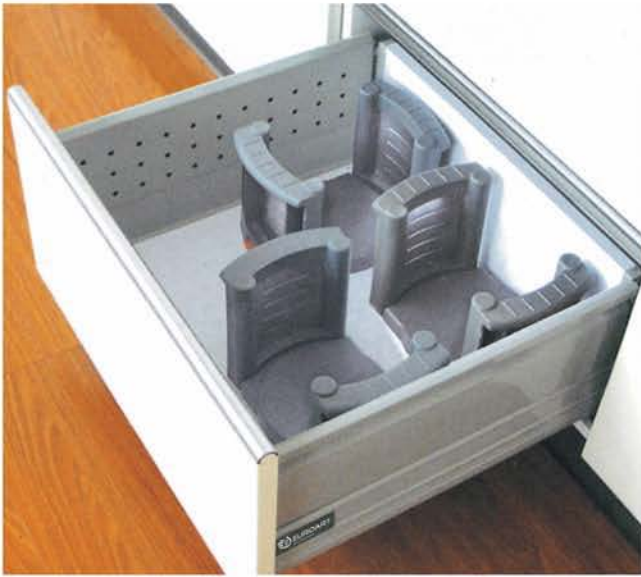
- Wooden material: Solid Beech
- Mocca and white material: MDF
- Free adjustable 450mm~650mm, 800mm~1200mm
- Color: Wooden (WD) / Mocca (MAC) / White (WT)



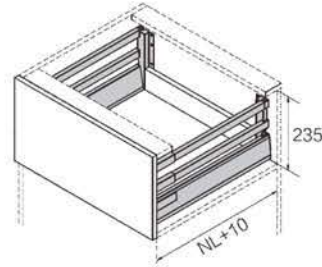
450-650mm Wooden Drawer - Cutlery Set		
Description	450-650mm Wooden Knife and Fork Set	Item No.
	Cabinet width: 450~650mm Nominal Length: 450mm	CUT3201CI-655
	Cabinet width: 450~650mm Nominal Length: 500mm	CUT3201CI-656

800-1200mm Wooden Wooden Drawer - Cutlery Set		
Description	800-1200mm Wooden Knife and Fork Set	Item No.
	Cabinet width: 800~1200mm Nominal Length: 450mm	CUT3201CI-450-1205
	Cabinet width: 800~1200mm Nominal Length: 500mm	CUT3201CI-500-1206

**Finish: White, Wooden, Mocca**


**Features:**

- A convenient space saving versatile plate storage system
- Adjustment at the process of a button
- Accepts plate from Ø180-Ø350mm

**Space Requirement**

**Order Information**

**Kit Package**

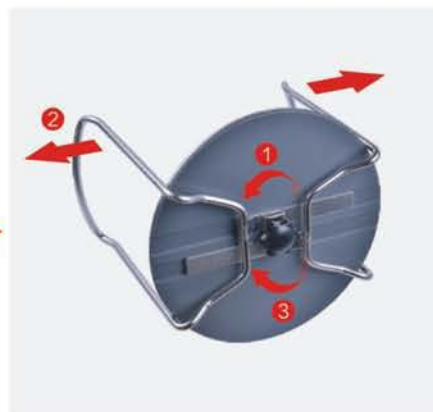
Silver Grey (7088 Silver)

Item no.	PH130
Set/ctn	1
Accept Plates	180-355mm- Ø
Plates Height-max	147mm
Rack height -overall	171mm
Material	High impact plastic + Stainless Steel


**Kit Package**

Stainless steel

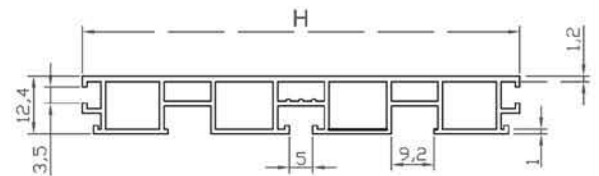
Item no.	PHS214
Set/ctn	1
Accept Plates	180-355mm- Ø
Plates Height-max	147mm
Rack height -overall	171mm
Material	High impact plastic + Stainless Steel



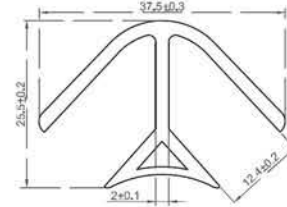
### Aluminum Foil Pvc Skirting

**Features:**

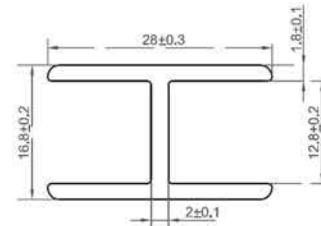
- Strong texture made from virgin pvc
- Excellent quality, using hot-melt adhesive to keep alum. foil from peeling off
- Elegant appearance with durability
- Waterproof, anti-microbial, anti corrosion
- Applied to kitchen, bathroom
- Finish: Silver, Aluminum Brushed, Black, White, Champagne



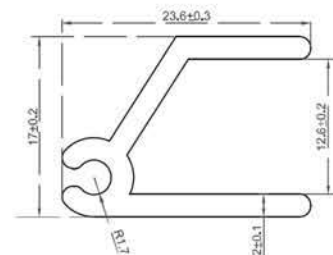
Item Code	Height(mm)	Length(mm)
EASK80	80	4000
EASK100	100	4000
EASK120	120	4000
EASK150	150	4000

**90° Aluminum Foiled Pvc Corner**

**Finish: Silver, Black, Champagne**

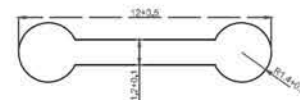
Item No.	Height(mm)
EAE90-80	80
EAE90-100	100
EAE90-120	120
EAE90-150	150

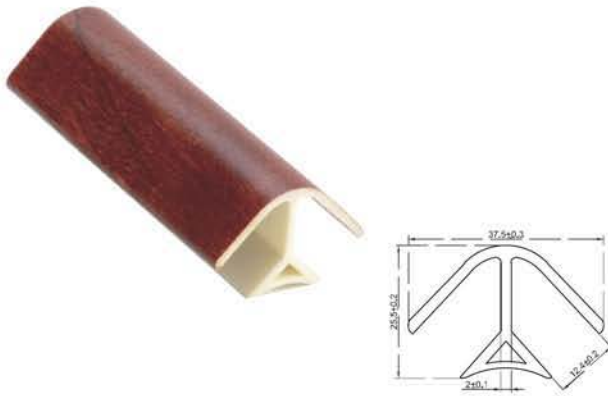
**Aluminum Foiled Pvc Joint Corner**

**Finish: Silver, Black, Champagne**

Item No.	Height(mm)
EAEA-80	80
EAEA-100	100
EAEA-120	120
EAEA-150	150

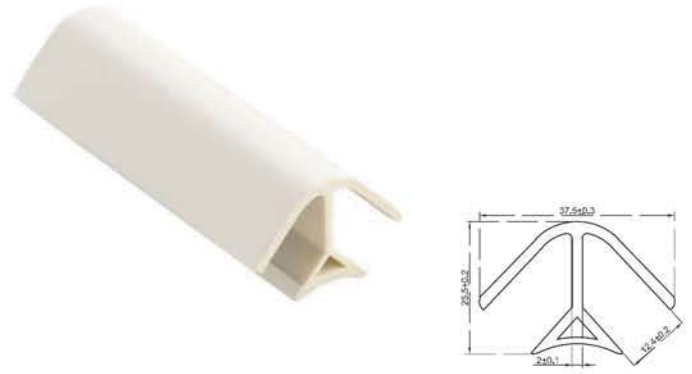
**360° Aluminum Foiled Flexible Corner**

**Finish: Silver, Black, Champagne**

Item No.	Height(mm)
EAE360-80	80
EAE360-100	100
EAE360-120	120
EAE360-150	150



**90° Wood Grain Pvc Corner**

**Finish: Wood Grain, Customized**

Item No.	Height(mm)
EAEG80	80
EAEG100	100
EAEG120	120
EAEG150	150

**90° White Foil Pvc Corner**

**Finish: Wood Grain, Customized**

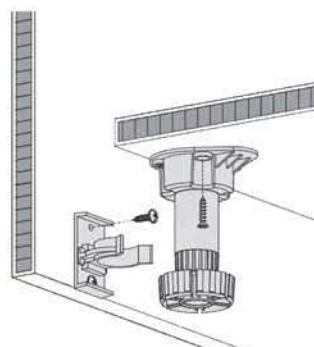
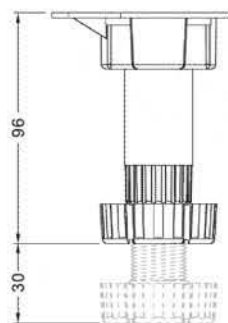
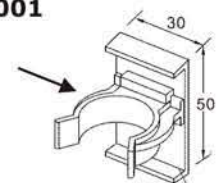
Item No.	Height(mm)
EAEW80	80
EAEW100	100
EAEW120	120
EAEW150	150

**Wood Grain Pvc Skirting**


Item No.	Height(mm)
EASKG80	80
EASKG100	100
EASKG120	120
EASKG150	150

**Matt White Pvc Skirting**


Item No.	Height(mm)
EASKW80	80
EASKW100	100
EASKW120	120
EASKW150	150

**Plinth**

**EAFE9001**

**Finish: Black**

Item No.	Height(mm)
EAL601-100	100
EAL601-120	120
EAL601-140	140





Wardrobe Sliding System

# Introduction for SLIDING SYSTEM

Sliding system are used for doors that open horizontally. They can either be mounted on a suspended from an aluminum track. Sliding door are primarily used for aesthetics and in place where it is not possible to install a door on Hinges or Floor Spring.

## Advantages of using a Sliding System:

The biggest of sliding systems, apart for the obvious aesthetic appeal, is that they are space-efficient. While a hinged door take up a lot of floor space when it is opened, sliding doors on the other hand move horizontally. The floor space, thus saved, can be used to add a home decorative or piece of furniture without interfering with the door movement.

The other benefits of using a sliding system can be:

- Design- Sliding door add an element of design to home interiors, you have the option to conceal the hardware (roller sets and tracks) in false ceiling in case of some systems- which gives the door a clean, flush look.
- Functionality- Sliding system allows you to add new dimension to home interiors by dividing room into different section while optimizing space.
- Provided overview and access to cabinets- Sliding doors, when opened, move completely out of your way and allow for a wide opening and maximum access to the even the remotest corner of wardrobes and cabinets.
- Realization of wide opening- Sliding door can separate and unite room as and when required, once the leaves are folded and parked aside they allow of a wide opening, merging space to create a larger room.

## Installation of Sliding Systems:

Sliding system can either be installed from the Top using a Top hung system or at the base using a Bottom rolling system:

**Top hung:** The top-hung sliding systems are very commonly used. The door is hung by two trolley hanger at the top of the door running a concealed track and needs additional guides at the bottom, All the weight is taken by the hangers, making the door easy to move.

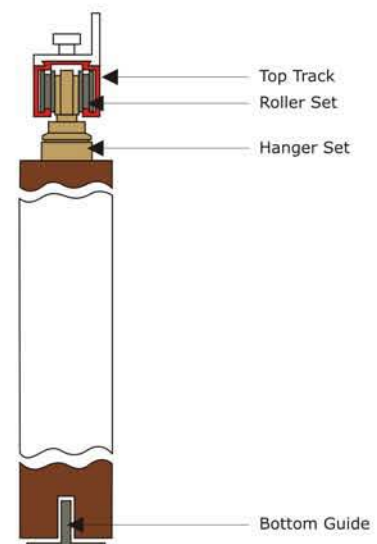
**Bottom rolling:** Bottom rolling is used when top-hung mechanism cannot be installed. It consists of two rollers at the bottom of the door running on a track and two guides at the top running in a guide channel. Weight of the door is concentrated on the two bottom Running Gear-more force is needed to move the door.

## Components of a Sliding System:

Generally Sliding system come with the following installation components:

1. Hanger Fitting Set
2. Top Track
3. Roller Set
4. Bottom Guide/Bottom Pivot
5. Bottom Track (relevant in case of only some sliding systems)

Note: The track is NOT part of the sliding set- it has to be ordered separately. The components for each type of sliding system may vary as per the specific function of that system



### Principal of Hardware Selection:

The selection of hardware depends on one or more of the following factors:

- Height
- Width
- Thickness
- Weight
- Material
- Application

The height, width and thickness are readily available however the weight needs to be calculated depending on the specific gravity of the material:

### Weight calculation for Wood

HEIGHT (meters) X WIDTH (meters) X THICKNESS (meters) X 700 (kg/m<sup>3</sup>)

### Weight calculation for Glass

HEIGHT (meters) X WIDTH (meters) X THICKNESS (meters) X 2500 (kg/m<sup>3</sup>)

### Important Conversations:

Feet to Millimeters - Feet x 12 x 25.4 = Millimeters

- Inches to Millimeters - Inches x 25.4 = Millimeters
- Centimeters to Millimeters - Centimeters x 10 = Millimeters
- Millimeters to Meters - Millimeters / 1000

### Key Principles for Selection of Sliding Systems:

- Weight is the most important criterion for selection of any sliding system
- Once the weight of the material is ascertained, the next most important factor to be considered is the application

### Types of Sliding Door Systems:

As per the application of the door, sliding systems can be classified into the following 3 categories:

- **Straight Sliding:** The door moves in the straight direction either to the left or right - can use one door panel only in one direction
- **Sliding & Folding:** The door slides and folds can be parked on one side of the door opening - can use multiple door panels
- **Syncro Sliding:** Two door opening simultaneously in the opposite direction; when you open door the other door opens automatically.

## Straight Sliding System

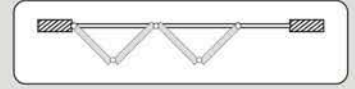


- **Function:** Moves in a straight direction either to the left or right depending on the installation of the door
- **Application:** Internal doors, Wardrobes

**Weight Calculation:** The weight is calculated for a single door and the sliding fitting is selected accordingly

- One pair of roller carries the weight of one door
- In case the door is too wide then an additional set can be used to compensate the weight

## Sliding-Folding Sliding System - End Fixing

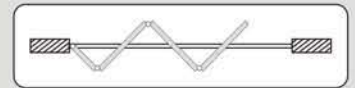


- **Function:** Slides, folds and parks itself to one side (left or right depending on the installation) of the opening width
- **Application:** Garden or balcony doors where a full opening view is required

**Weight Calculation:** The weight of both the doors is necessary

- Each roller carries the weight of two doors (or panels) hence the total weight must be equal distributed  
E.g. if the roller can carry 50kg then each door (or panel) must not exceed 25kg

## Sliding-Folding Sliding System - Center Fixing

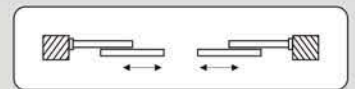


- **Function:** Slides, folds and parks itself to one side (left or right depending on the installation) of the opening width; with center fixing, there is enough space available on either side of the panel
- **Application:** Internal Doors in corridors or between two room (Kitchen and dining room or dining and drawing room)

**Weight Calculation:** The weight of both the doors is necessary

- Each roller carries the weight of two doors (or panels) hence the total weight must be equal distributed  
E.g. if the roller can carry 50kg then each door (or panel) must not exceed 25kg

## Syncro Sliding System & Telescopic System



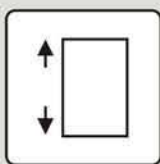
- **Function:** Two doors synchronized to sides in opposite direction; if you move one door the other one moves automatically; this system can be plugged with a sensor system that automatically opens the doors on sensing the presence of a person or an object
- **Application:** External Doors to Malls, Office, Hotels etc.

**Weight Calculation:** The weight is calculated for a single door and the sliding fitting is selected accordingly

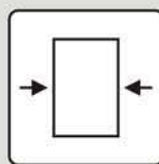
- One pair of rollers carries the weight of one door
- In case the door is too then an additional set can be used to compensate the weight



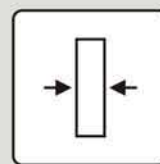
Door Weight



Door Height



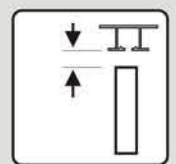
Door Width



Door Thickness



System can be used  
wood & Glass doors



Gap between  
track and door

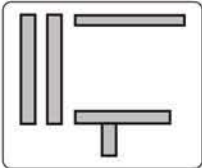
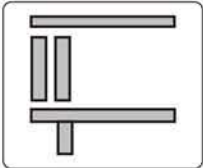
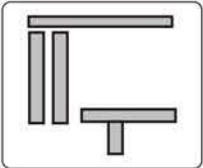
## EuroArt Range of Sliding Systems:

EuroArt of Sliding System is divided into two categories Architectural and Furniture Sliding, Architectural Sliding is used of external and internal doors such as bedroom door, balcony door etc. Furniture sliding is used for cabinets, wardrobes and other furniture units.

**Our range of Architectural and Furniture sliding system provides the following 3 applications:**

Architectural Sliding	Furniture Sliding
Straight	Straight
Syncro & Telescopic	Syncro
Folding (end fixing and center fixing)	Folding (end fixing ONLY)

**The Furniture Sliding doors may be installed in any of the 3 ways:**

Top Hung	In Front (Base bottom rolling)	Mix Front
Shutter is fixed in a way that it covers the cabinet sides	Shutter is fixed inside the cabinet	Shutter is fixed in a way that it falls inside the cabinet on the top (in front) while it covers the base of the cabinet (vor fornt)
		



## WSF-26

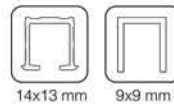
### Features:

- Top profiles of anodized aluminium with side grooves that allows for easy fitting
- The system of rollers at the top allows the bottom profile to be completely hidden

### Specifications:

- Door width: Max 1000mm
- Door thickness: 16-19mm
- Door height: Max 1800mm
- Height adjustment: 3.5mm
- Distance from door to floor: 1.5mm
- Distance between two installed doors: Min 3mm
- Door weight: 26kg per panel

### Profiles



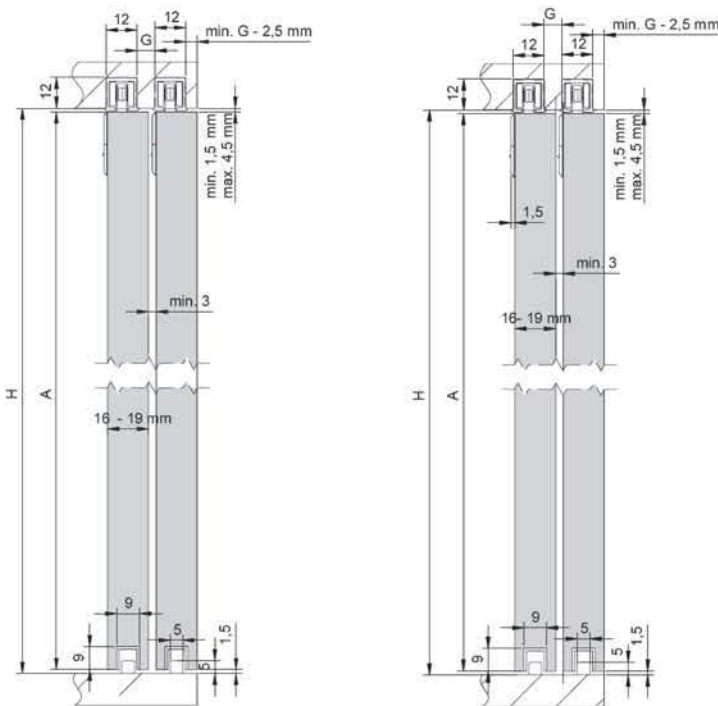
### Weight



### Installation Possibilities



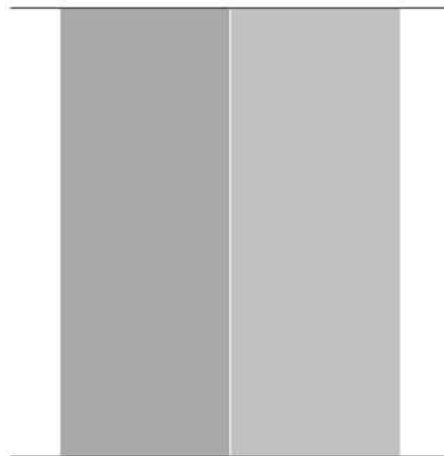
### Section Type



$$A = H - 4,5$$

$$A = H - 4,5$$

### Installation Possibilities




**Tracks**

Photo	Item no.	Description	Length
 	001623	Top Track	2m
	001633		3m
	001653		5m
 	001624	Bottom Guide Inset	2m
	001634		3m
	001653		5m

Available Finish: Gold Anodised Aluminium, Black Anodised Aluminium, Satin Anodised Aluminium

**Sets**

Photo	Item no.	Description
	002605	Fittings set 1 panel

**Accessories**

Photo	Item no.	Description
	002655	Running gear
	001656	Retaining stopper
	001657	Bottom guide


**WSF-51**
**Features:**

- Profiles which can be flush-fitted or raised.
- A unique type of pivot and roller which can be flush - fitted or raised.
- Vertical adjustment mechanism.
- Aluminium guides in anodised gold, black or natural colour finish.

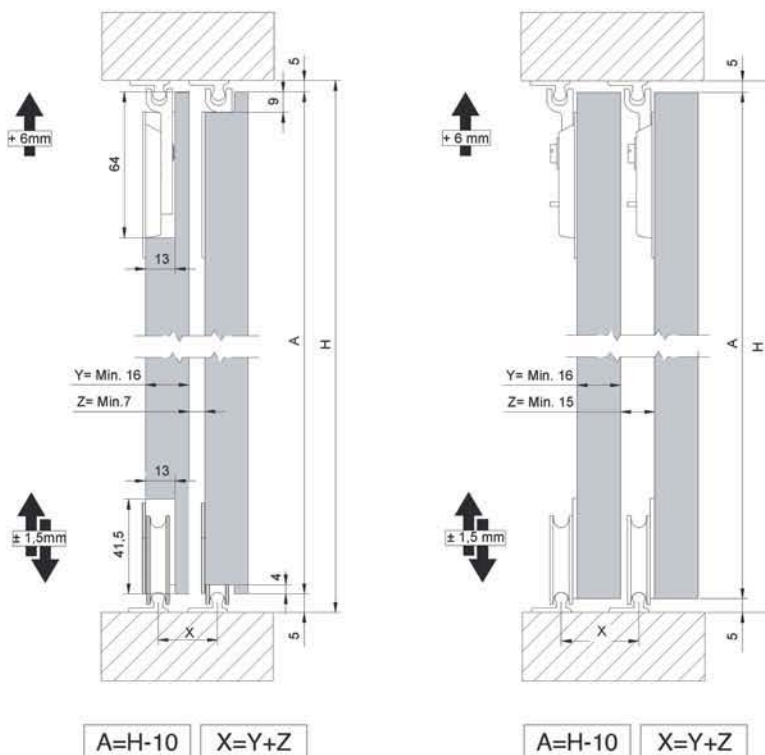
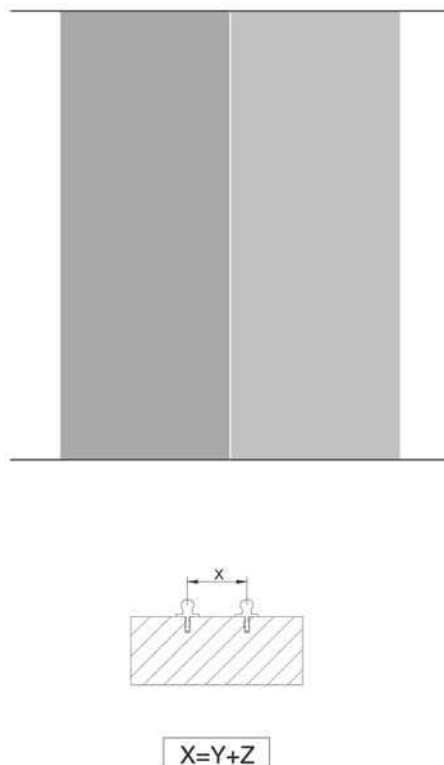
**Specifications:**

- Door width: Max 1000mm
- Door thickness: 16mm
- Door height: Max 2800mm
- Height adjustment: +6mm
- Mechanical adjustment:  $\pm 1.5$ mm
- Door weight: 50kg per panel

**Profiles**

**Weight**

**Installation Possibilities**

**Section Type**

**Installation Possibilities**





**Tracks**



Photo	Item no.	Description	Length
	005122	Top Track Bottom Track Face Fixed	2m
	005132		3m
	005152		5m
	005222	Top Track Bottom Track Push Fixed	2m
	005232		3m
	005252		5m

Available Finish: Gold Anodised Aluminium, Black Anodised Aluminium, Satin Anodised Aluminium

**Sets**

Photo	Item no.	Description
	005100	Fittings set 1 panel

**Accessories**

Photo	Item no.	Description
	005160	Bottom roller
	005161	Top guide



### WSF-SA60

**Features:**

- The roller has an elastic system for absorbing irregularities in the profile
- Vertical adjustment mechanism
- Retaining brake
- The leaves can cross over each other
- Trim cover attachable to the guiderail to conceal the installation.
- Hidden lower guide piece.

**Specifications:**

- Door width: Max 1200mm
- Door thickness: Min 25mm
- Door height: Max 3000mm
- Height adjustment:  $\pm 2$ mm
- Distance from door to floor:  $\pm 4$ mm
- Door weight: 60kg per panel

**Profiles**



30x32 mm



43x25 mm

**Weight**

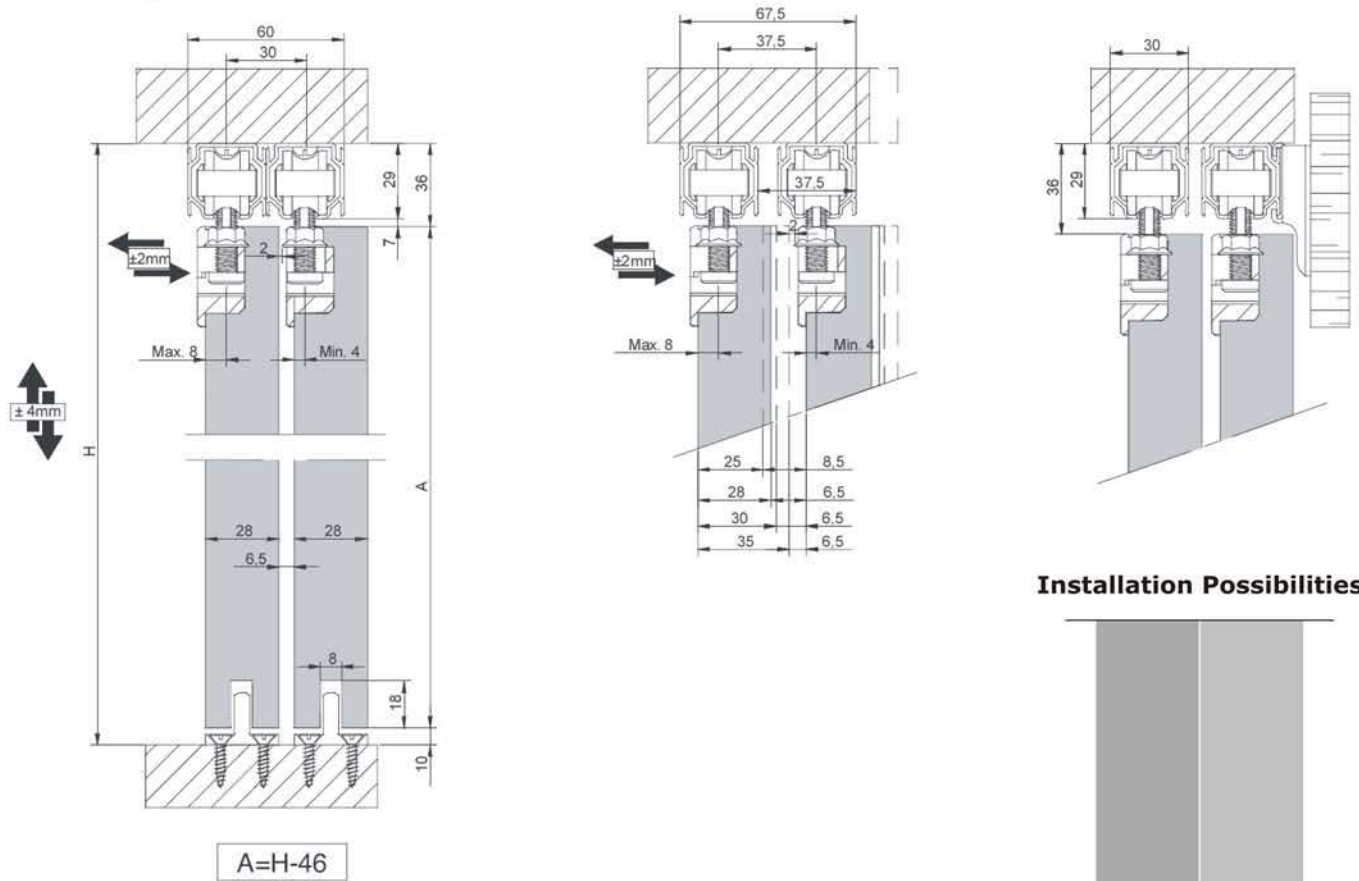


60kg

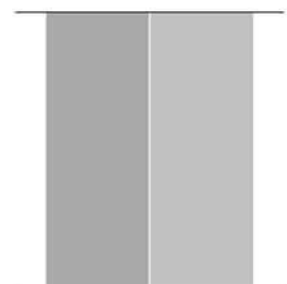
**Installation Possibilities**



**Section Type**



**Installation Possibilities**




**Tracks**

Photo	Item no.	Description	Length
 	006020	Top Track	2m
	006030		3m
	006040		5m

Available Finish: Satin Anodised Aluminium, Mill Finish Aluminium

**Sets**

Photo	Item no.	Description
	006003	Fittings set 1 panel door (with bottom guide)

**Accessories**

Photo	Item no.	Description	Length
	006062	Bottom roller	
	006056	Top guide	
Photo	Item no.	Description	Length
	006423	Top guide	2m
	006433		3m
	006453		5m

### WS801

#### Features:

- Doors are aligned in a single plane and overlap only during the opening and closing of the doors

#### Specifications:

- Door width: 1500-3000mm
- Door thickness: 18-45mm (Handle included)
- Door height: H1+80mm (Available to make customised length to fit your cabinet size)
- Door weight: 60kg per panel

#### Weight

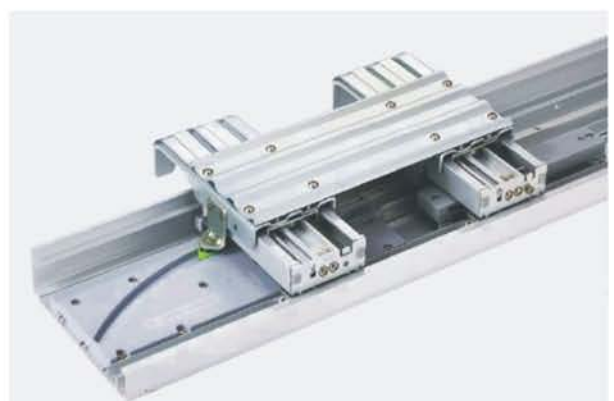
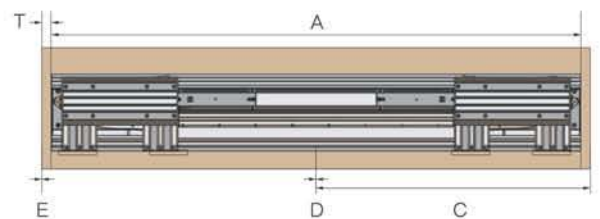
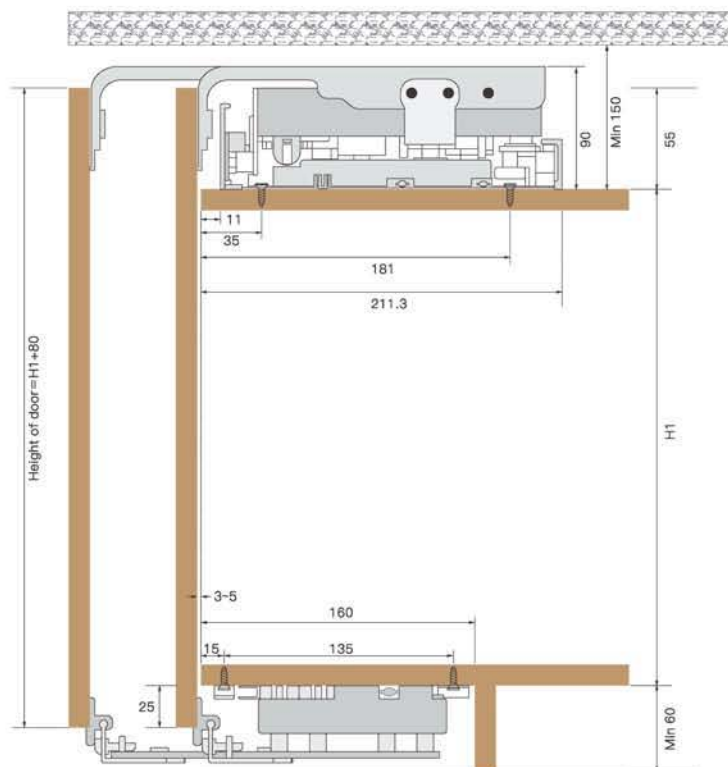


Product Specification	Cabinet Width	Product Specification	Cabinet Width
1450mm	1500mm	2250mm	2300mm
1550mm	1600mm	2350mm	2400mm
1650mm	1700mm	2450mm	2500mm
1750mm	1800mm	2550mm	2600mm
1850mm	1900mm	2650mm	2700mm
1950mm	2000mm	2750mm	2800mm
2050mm	2100mm	2850mm	2900mm
2150mm	2200mm	2950mm	3000mm

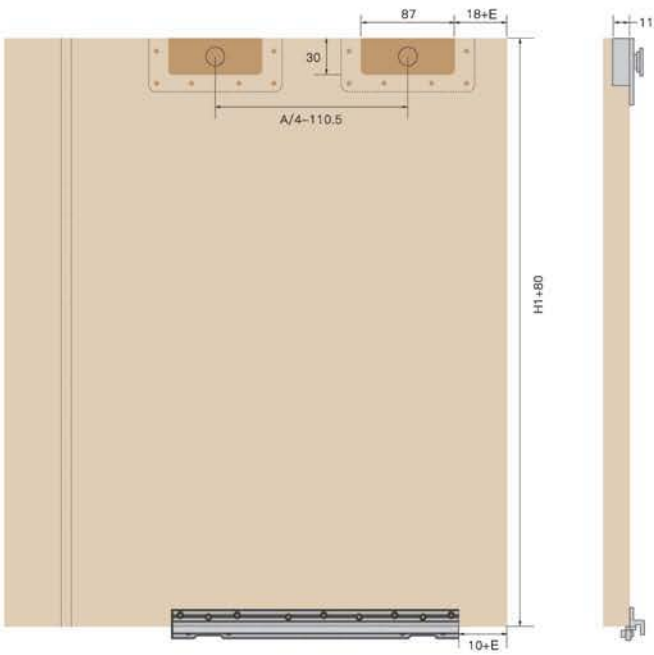
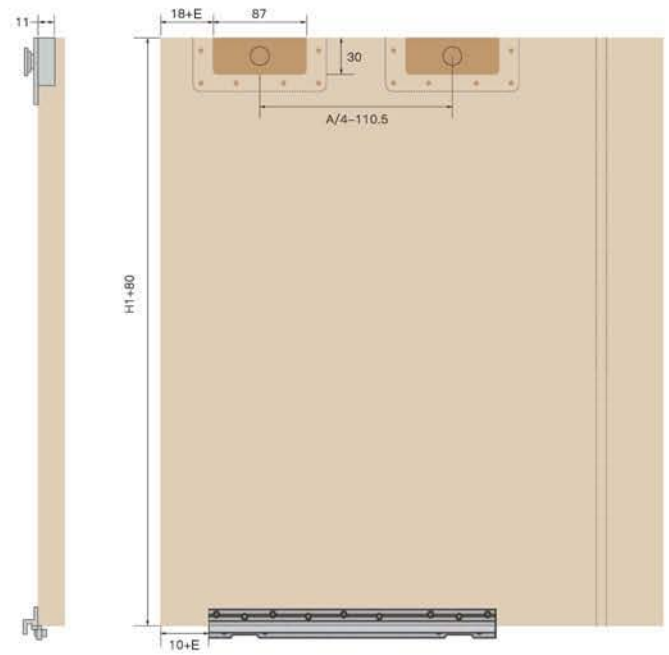
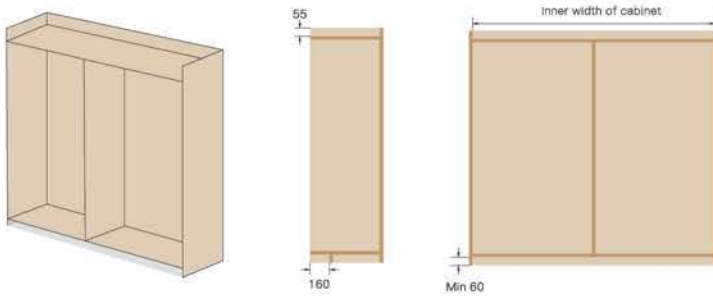


#### Remark:

Apply to cabinet width from 1.5 meter to 3 meter, available to make customized length to fit your cabinet size  
(Calculate base on 25mm of side panel of cabinet )



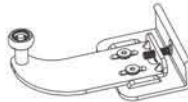
T= Side panel thickness  
 A= Inner width of cabinet  
 D= Gap between two doors (3-5mm)  
 E= Side panel width (-3~30mm)  
 C= Door width

**Installation - Left Door**

**Installation - Right Door**

**Cabinet Requirements**

**Sliding Set Includes**

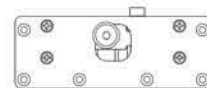
Upper Rail - 1 Pc



Right Down Runner - 1 Pc



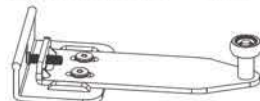
B Regulator - 2 Pcs



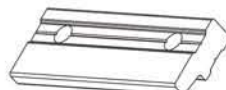
Down Rail - 1 Pc



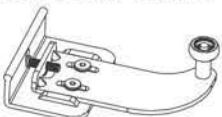
Down Runner - 2 Pcs



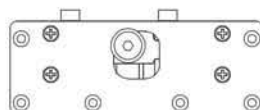
Down Track Fixed Block - 8 Pcs



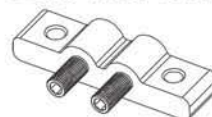
Left Down Runner - 1 Pc



A Regulator - 2 Pcs



Down Track Locked Block - 8 Pcs





### WS409

**Features:**

- External installation with double soft close system, no cutting or grooving needed
- Concealed damper with re-set function
- Damper with anti jump and anti decoupling function
- Reduction of the handle to the essential: visually minimalistic without losing grip surface for a comfortable opening and closing of the doors

**Specifications:**

- Door width: 500-1200mm
- Door thickness: Max 20mm
- Door height: Max 2500mm
- Door weight: 10-50kg per panel

**Weight**

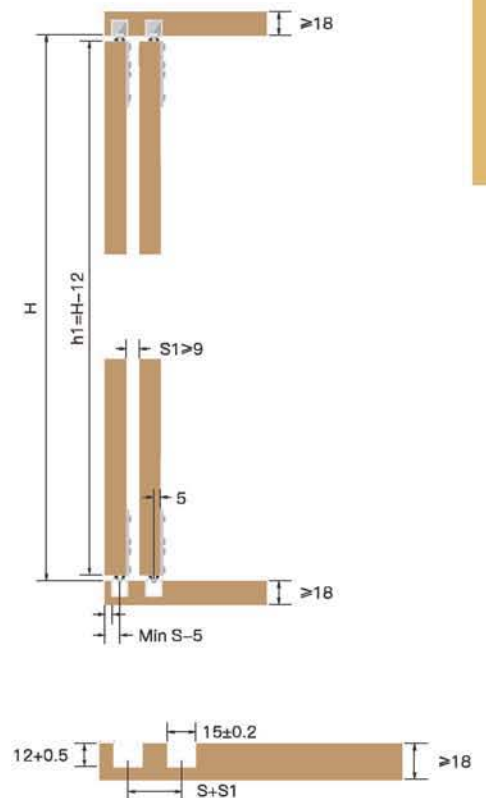
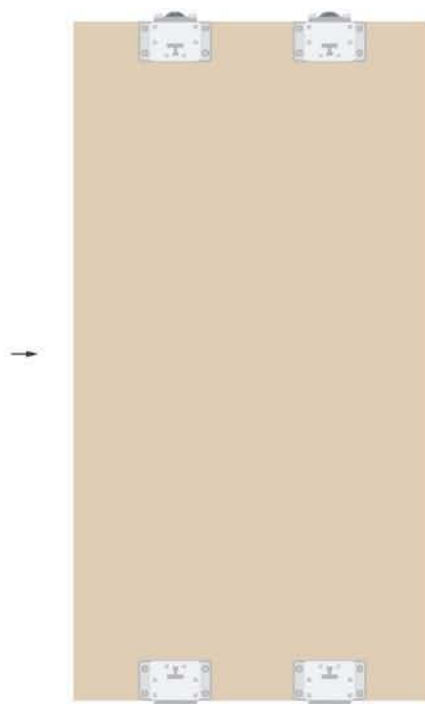
**10-50kg**



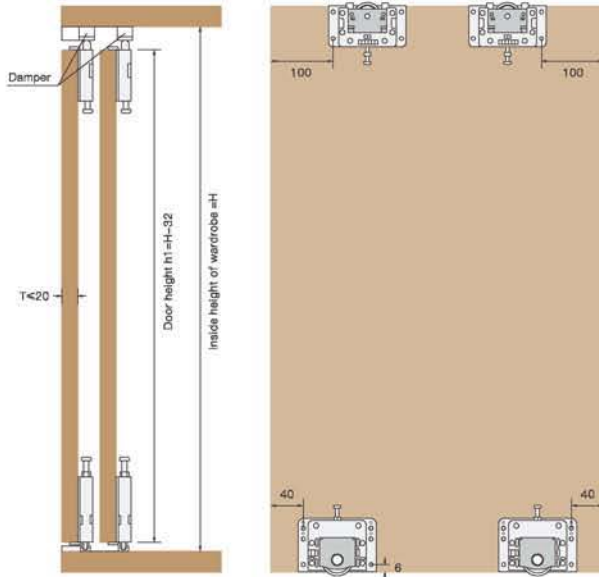
**Slot on door panel**



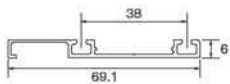
**Running Installation**



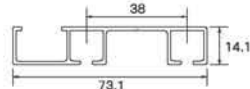
**Installation Guide for Wooden Door**



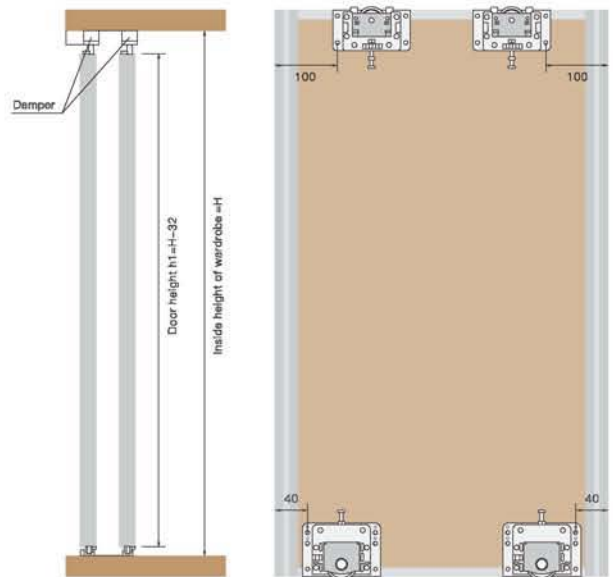
**WSR409**  
Down rail



Upper rail



**Installation Guide for Aluminium Frame Door**



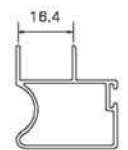
**WSF409-2.5/3.0H**  
Upper / Down Frame



**WSF409-3.0M**  
Middle Frame



**WSF409-2.5V**  
Profile Handle



Accessories	WS409-02 2 Doors	WS409-03 3 Doors	Photos
Upper Runner	4	6	
Down Runner	4	6	
Allen Key	1	1	
Upper Rail	1	1	
Down Rail	1	1	
Decoration Cap for Down Track	1	1	
Spacer	16	24	
Damper	4	4	
ST4x4 Cross Flat Head Self Tapping Screws	32	48	

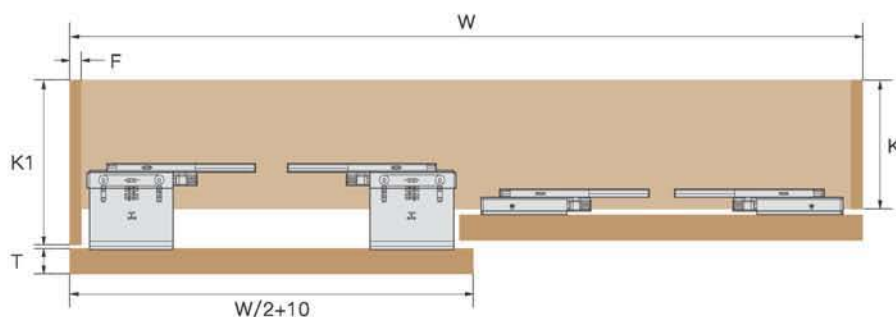
**WS602**
**Features:**

- Rollers mounted on ball bearing to absorb possible irregularities in the profile
- Up and down sync damping with excellent soft close performance

**Specifications:**

- Door width: 700-1500mm
- Door thickness: 16-46mm
- Door height: Max 2500mm
- Door weight: 20-80kg per panel

**Weight**

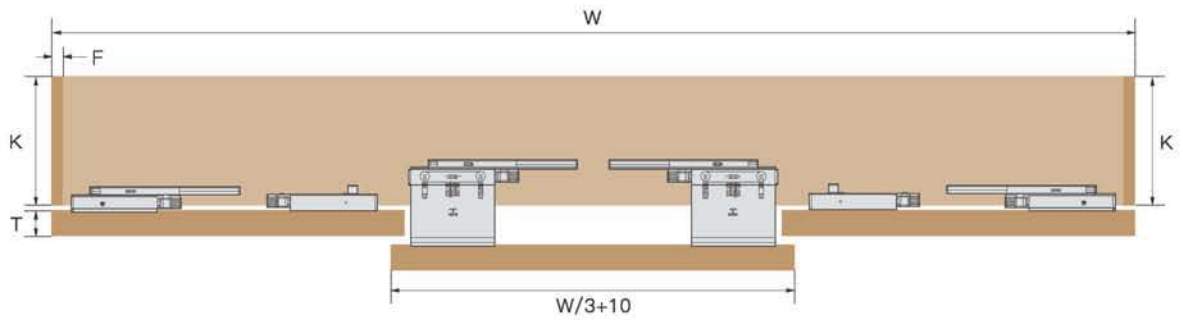
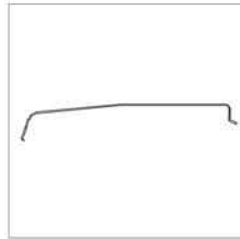
**Double soft close for 2 doors**

**Installation**

$$K1 = K + T + 8$$

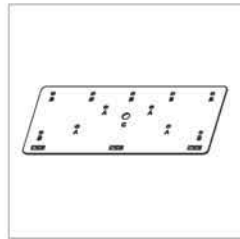
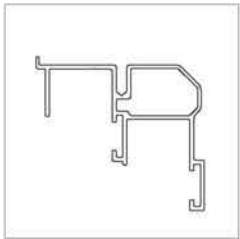
T = Door Thickness (16 ≤ T ≤ 46)

F = Thickness of side panel

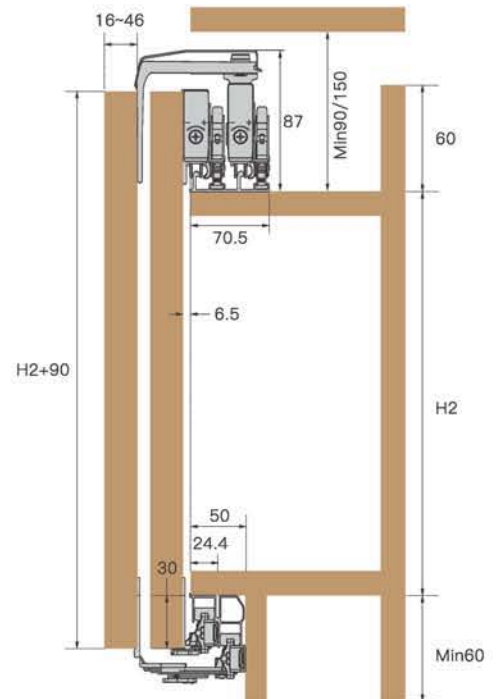
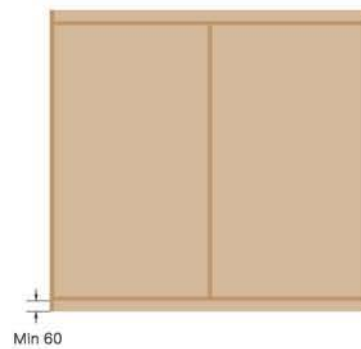
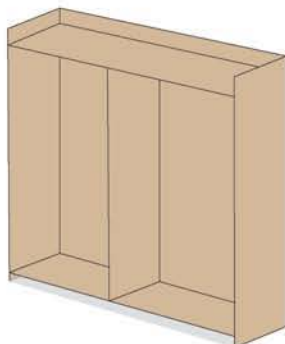

















**Double soft close for 3 doors**

**Installation**
**Aluminum Configuration**


For optional



Position template


**Cabinet Requirement**


Photos	Description	Qty		
		WS602-02 Double Soft close (2 door)	WS602-03 Double Soft close (3 door)	WS602-MD Double Soft close (3 door)
	Left up roller for outside door	1	1	-
	Right up roller for outside door	1	1	-
	Left up roller for inside door	1	2	-
	Right up roller for inside door	1	2	-
	Down roller for outside door	2	2	-
	Down roller for inside door	2	4	-
	Upper damper	4	4	-
	Down damper	4	4	-
	Stopper	4	4	-
	Anti pinch device	1	2	-
	Anti-collide stopper	0	0	-
	Central Damper	-	-	1
	Stopper	-	-	1
	M4x16 Screws	-	-	2
	ST4x16 Cross resseded flat head tapping screws	40	40	4

**WS509**
**Features:**

- Automatic hook coupling function (Anti-decoupling)
- Up and down sync damping with excellent soft close performance

**Specifications:**

- Door width: 700-1500mm
- Door thickness: 16-20mm, 20-25mm
- Door height: Max 2500mm
- Door weight: 20-50kg per panel


**Weight**

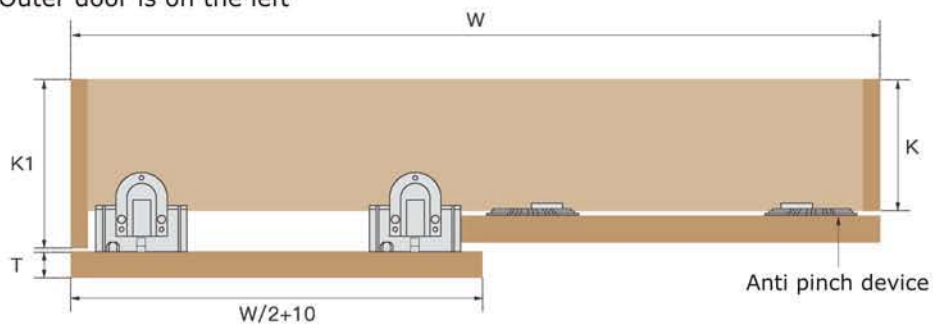
**Installation**

$$K1 = K + 31$$

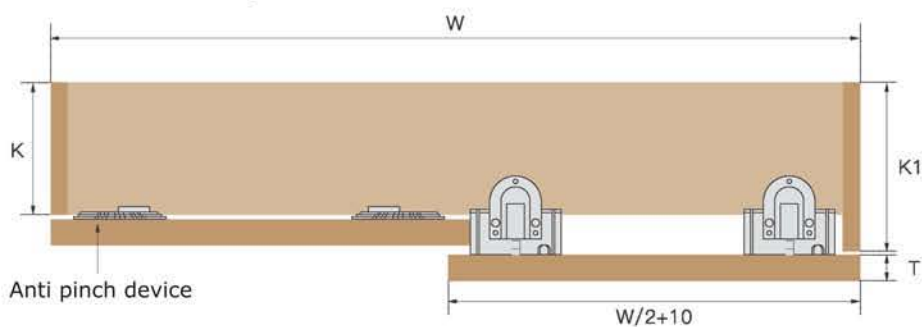
T = Door Thickness

( $16 \leq T \leq 20$ ,  $20 \leq T \leq 25$ )

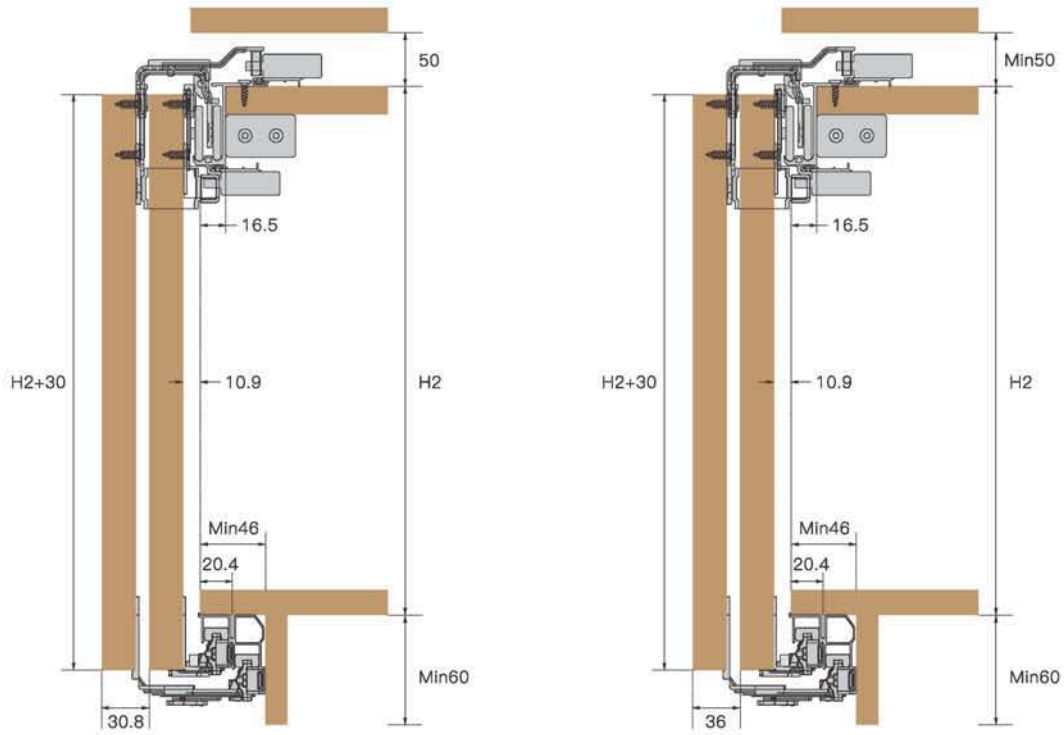
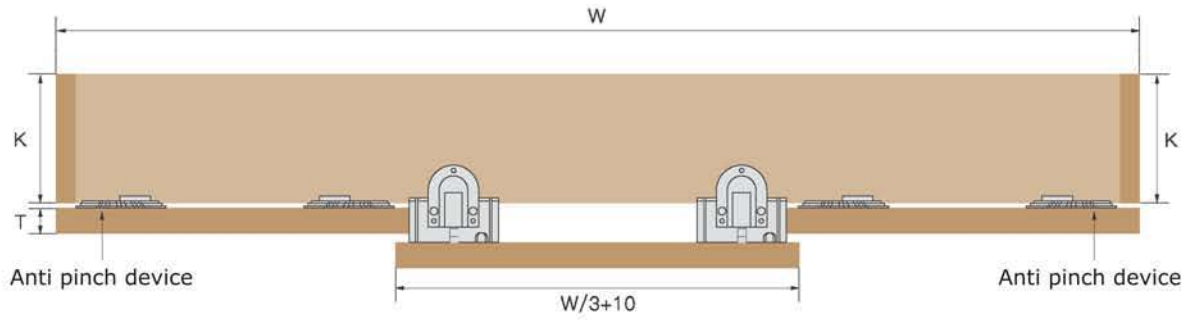
Outer door is on the left



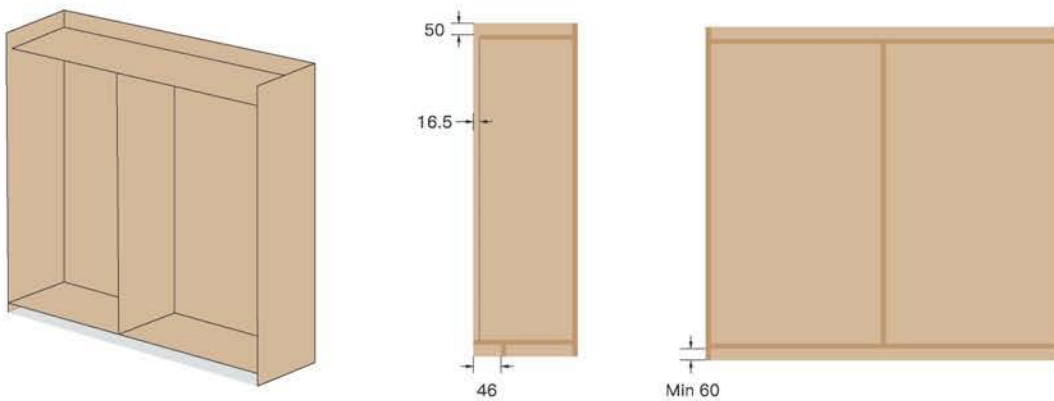
Outer door is on the right











Outer door is in the middle



Installation



Photos	Description	Qty		
		WS509-02 Double Soft close (2 door)	WS509-03 Double Soft close (3 door)	WS509-MD Double Soft close (3 door)
	Upper runner for outside door	2	0	-
	Left up roller of inside door	1	1	-
	Down roller of outside door	2	2	-
	Upper runner of outside door (with lever)	0	2	-
	Right up roller for inside door	1	1	-
	Down roller for inside door	2	2	-
	Upper left damper	1	2	-
	Upper right damper	1	2	-
	Down damper	2	4	-
	Plastic supporter	2	2	-
	Fixed block	2	2	-
	Position template	1	1	-
	Anti pinch device	1	1	-
	Inner stopper for outside door	1	1	-
	Central Damper	-	-	1
	Stopper	-	-	1
	M4x16 Screws	-	-	2
	ST4x16 Cross resseded flat head tapping screws	40	40	4



## WSF-30D / WSF-30DD

### Features:

- Free moving pairs of doors mounted on cabinet side panels with concealed hinges
- The lower guiderail can be installed on or below the base of the cupboard, which guarantees the perfect coupling of the fitting to any design of the cupboard
- Movement on silent guiderails with nylon rollers

### Specifications:

- Door width: Max 450mm per door
- Door thickness: 16-19mm
- Door height: Max 1800mm
- Door weight: 30kg per pair of panels

### Profiles



22x23 mm



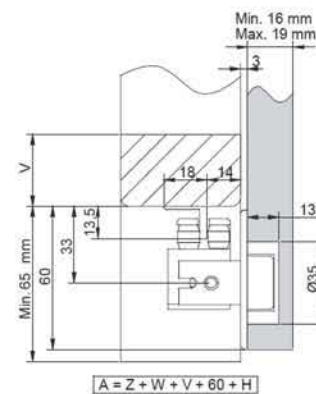
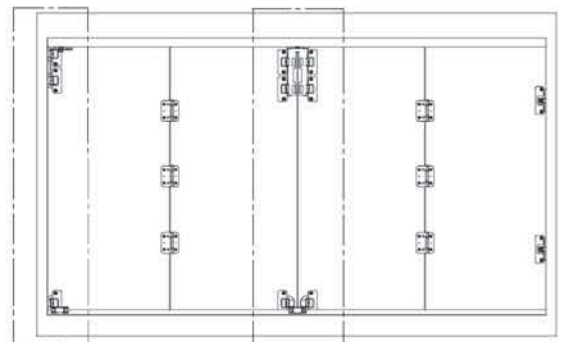
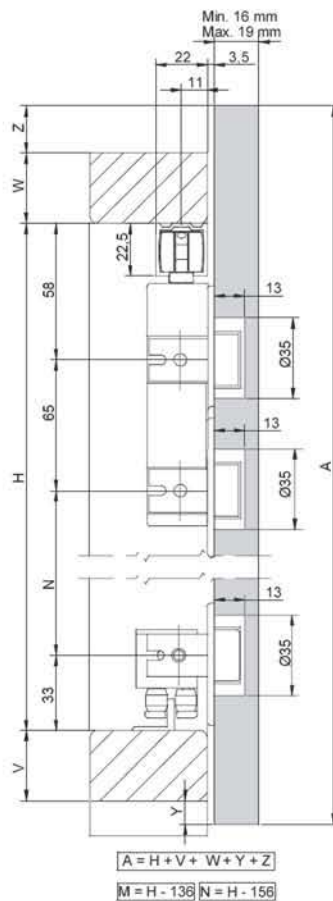
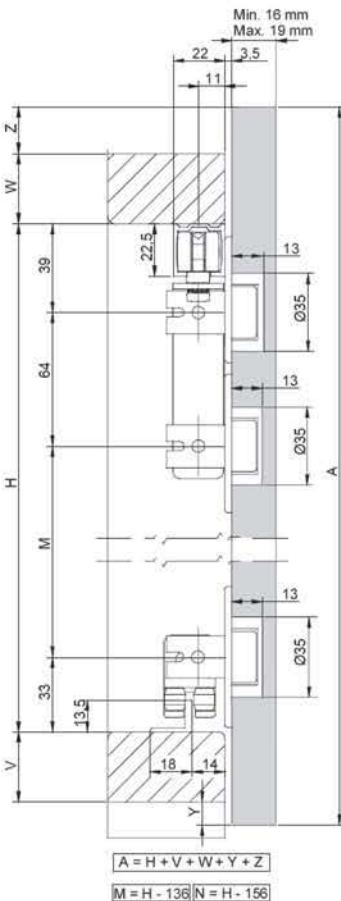
18x13 mm

### Weight



30kg

### Installation Possibilities



**Tracks**

Photo	Item no.	Description	Length
 	003122	Single Top Track	2m
	003132		3m
	003152		5m
 	001620	Top/Bottom Track	2m
	001630		3m
	001650		5m

Available Finish: Satin Anodised Aluminium, Mill Finish Aluminium

**Sets**

Photo	Item no.	Description
	003100	Fitting set 2 panels (with lower guide)
	003101	Fitting set 2 panels (without guide)

**Components**

Photo	Item no.	Description
	003102	Fitting set 4 panels (with lower guide)
	003103	Fitting set 6 panels (without guide)

**Accessories**

Photo	Item no.	Description
	003151	Running gear with 2 boss hinges and 1 bearing
	001651	Top/bottom guide with concealed boss hinge
	002153	Folding door hinge, zinc plated steel
	001652	Concealed hinge



### WSF-CDA

**Features:**

- Area of Application: For hinged doors and sliding doors, prevents doors warping in either direction or straightens doors which have become warped

**Specifications:**

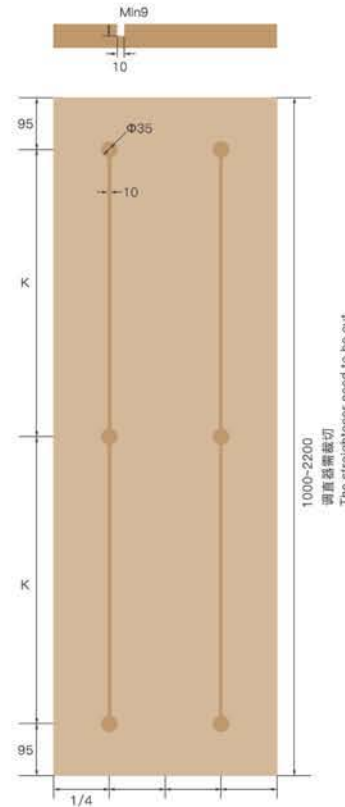
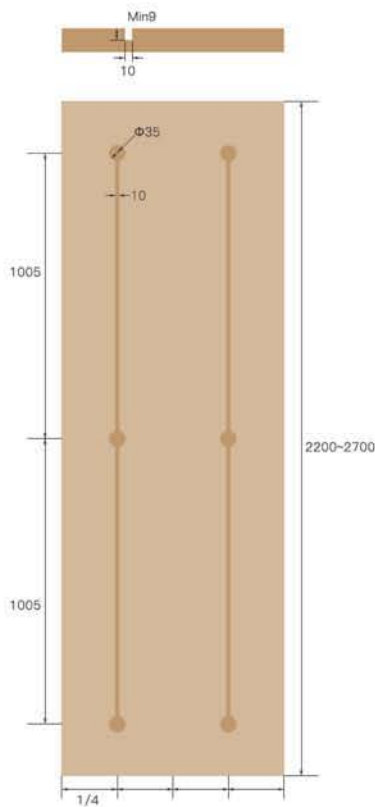
- Door thickness: Min 15mm
- Door height: Max 2200-2700mm
- Material: Straightener - Steel  
Regulation plate - Zinc alloy  
Decorative cover - Plastic



### Installation

Slotting dimension requirement

Use two set when door width is more than 600mm





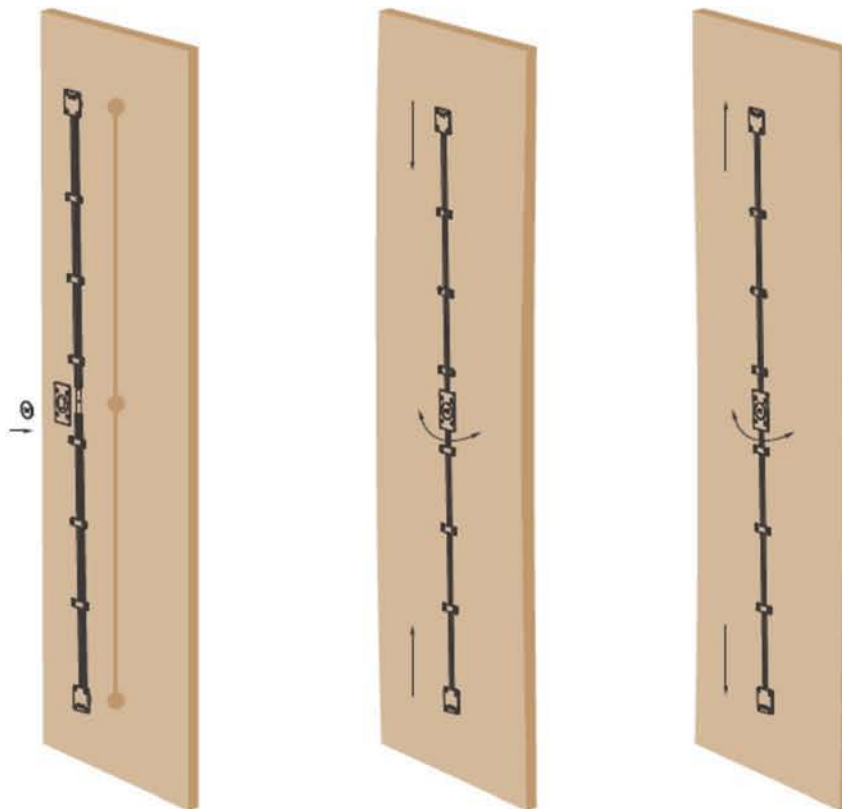
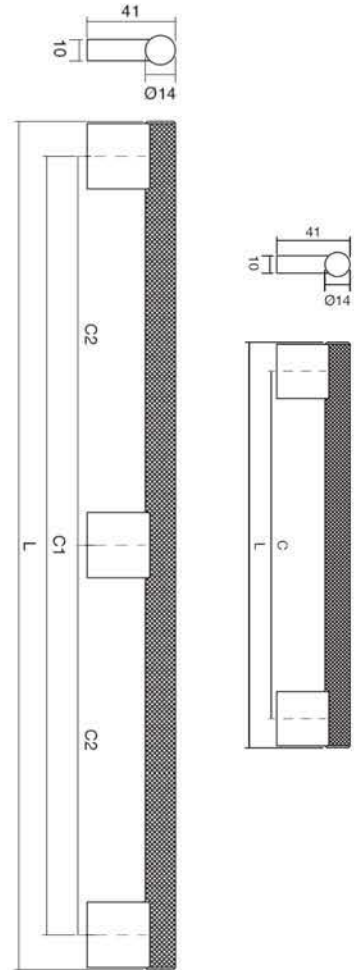
**Instruction for alignment**


Photo	Description	Qty
	Left straightener	1
	Right straightener	1
	Regulation plate	1
	Connecting plate	6
	Decorative plate	1
	Iron rod	1



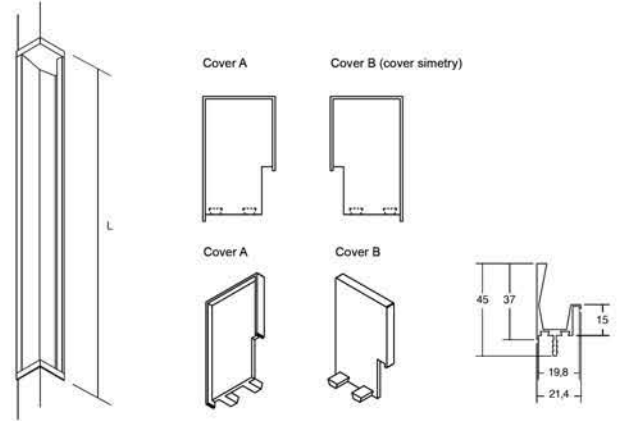
Furniture Handles & Knobs



**0486 Graf**


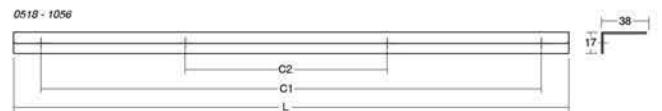
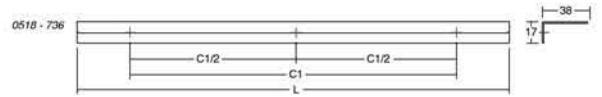
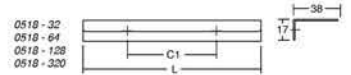
**Finish: Stainless Steel Look, Brushed Dark Brass, Brushed Black**

Ref no.	C1	C2	Length
● Graf182	160	-	182
● Graf224	192	-	224
● Graf278	256	-	278
● Graf352	320	-	352
● Graf1200	1168	584	1200

**0449 Hexxa**


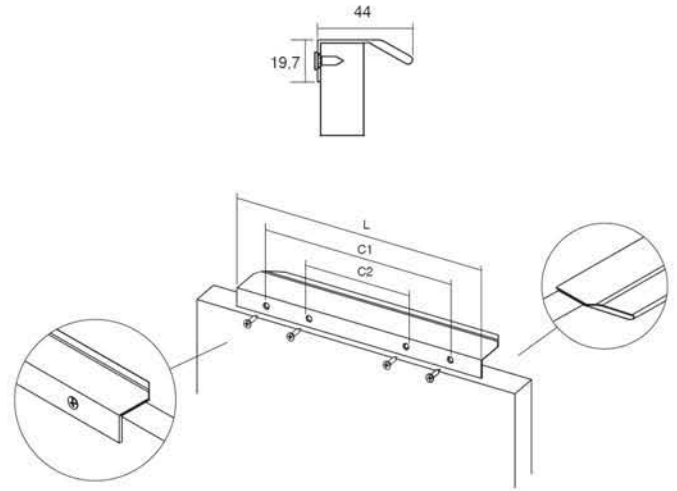
**Finish: Matt White, Matt Black, Metallic Grey  
Metallic Brown**

Ref no.	Length
● Hexxa200	200
● Hexxa350	350
● Hexxa1100	1100
● Hexxa3000	3000

**0518 Way**


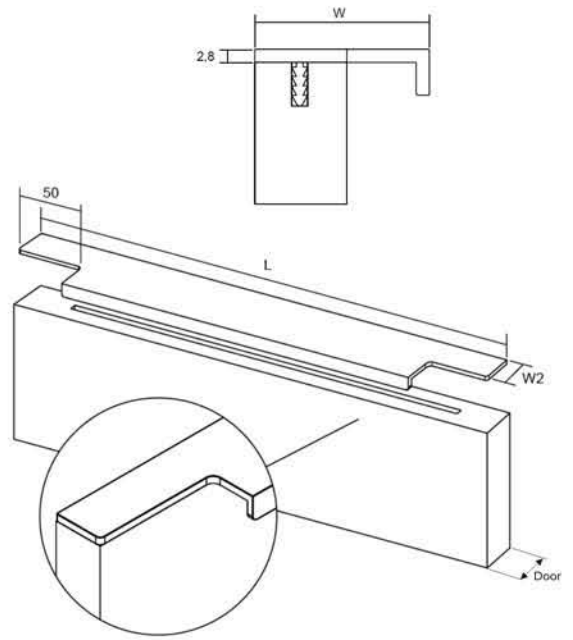
Ref no.	C1	C1/2	C2	Length
● Way50	32	-	-	50
● Way100	64	-	-	100
● Way200	128	-	-	200
● Way400	320	-	-	400
● Way800	736	368	-	800
● Way1100	1056	-	352	1100

**Finish: Anodized Matt, Matt Black, Stainless Steel Look  
Brushed Dark Brass, Matt White**

**0375 Vann**


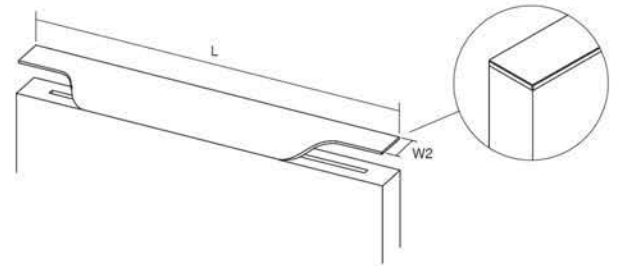
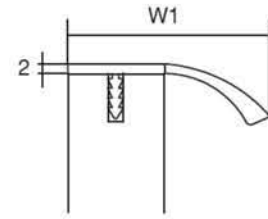
**Finish: Anodized Bright, Anodized Matt, Matt Black  
Stainless Steel Look, Brushed Dark Brass**

Ref no.	C1	C2	Length
● Vann100	64	-	100
● Vann200	128	-	200
● Vann350	256	-	350
● Vann1200	1120	384	1200

**0139 Linear**


Ref no.	Length (mm)	W = 37, 38.5mm W2 = 19.8, 21mm
● Linear147	147	
● Linear197	197	
● Linear247	247	
● Linear297	297	
● Linear347	347	
● Linear397	397	
● Linear447	447	
● Linear497	497	
● Linear597	597	
● Linear697	697	
● Linear797	797	
● Linear897	897	
● Linear997	997	
● Linear1197	1197	

**Finish: Stainless Steel Look, Brushed Black**

**0434 Vector**


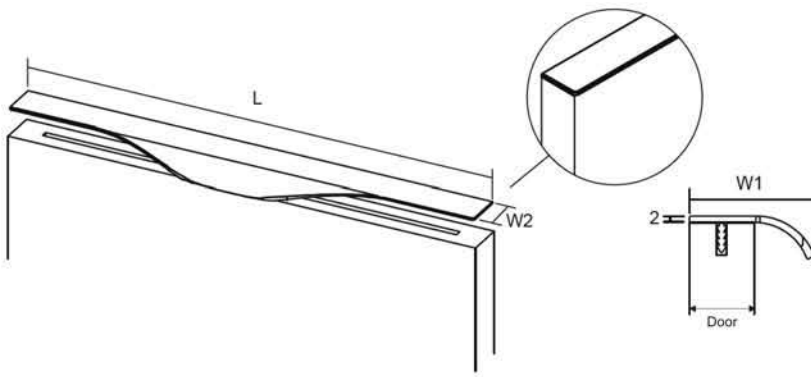
Ref no.	Length (mm)	W1 = 41, 43.8mm W2 = 19.8, 21, 22.8mm
● Vector147	147	
● Vector197	197	
● Vector247	247	
● Vector297	297	
● Vector347	347	
● Vector397	397	
● Vector447	447	
● Vector497	497	
● Vector597	597	
● Vector697	697	
● Vector797	797	
● Vector897	897	
● Vector997	997	
● Vector1197	1197	

**Finish: Stainless Steel Look, Brushed Black, Brushed Grey**



**0250 Forma**


W1 = 38, 40mm  
W2 = 19.8, 21, 22.8mm

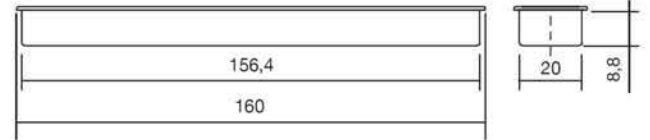


Ref no.	Length (mm)
● Forma147	147
● Forma197	197
● Forma247	247
● Forma297	297
● Forma347	347
● Forma397	397
● Forma447	447
● Forma497	497
● Forma597	597
● Forma697	697
● Forma797	797
● Forma897	897
● Forma997	997
● Forma1197	1197

**Finish: Stainless Steel Look**



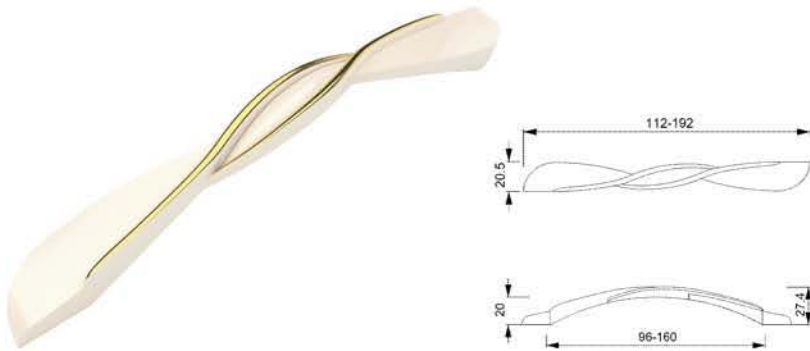
0366 Cubic



Finish: Matt Black, Matt White

Ref no.	Length (mm)
● Cubic160	160

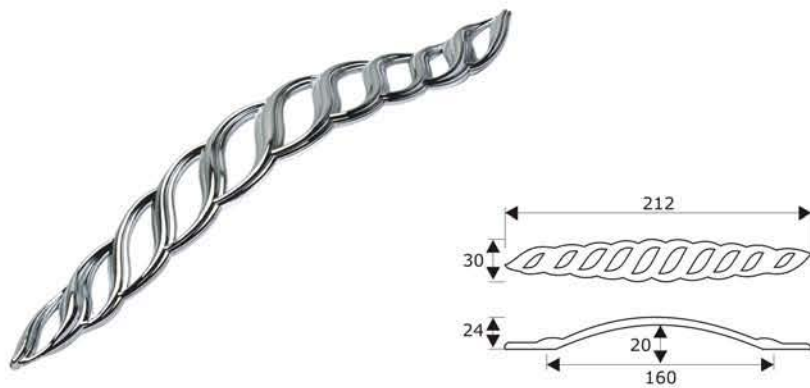
**EA273**



**Finish: Chrome, Gold, Matt Antique Brass, White Gold, Silver, Inox**



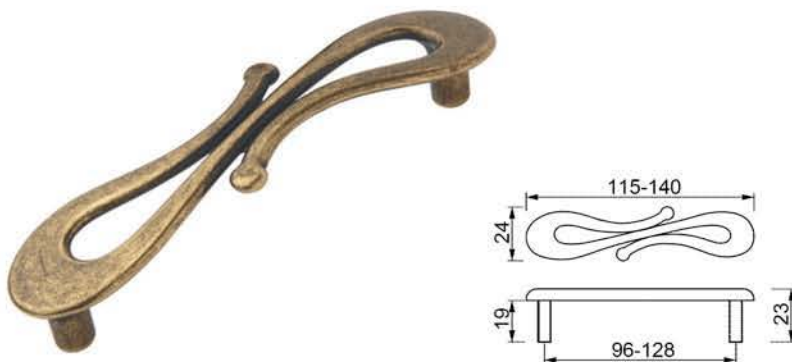
**EA279**



**Finish: Chrome, Satin Brass, Gold, Matt Antique Brass, White Gold, Inox**



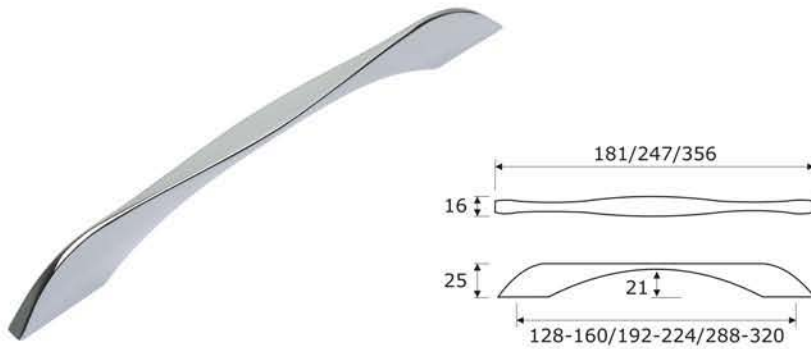
**EA280**



**Finish: Chrome, Matt Antique Brass, Satin Brass, Gold, Inox**



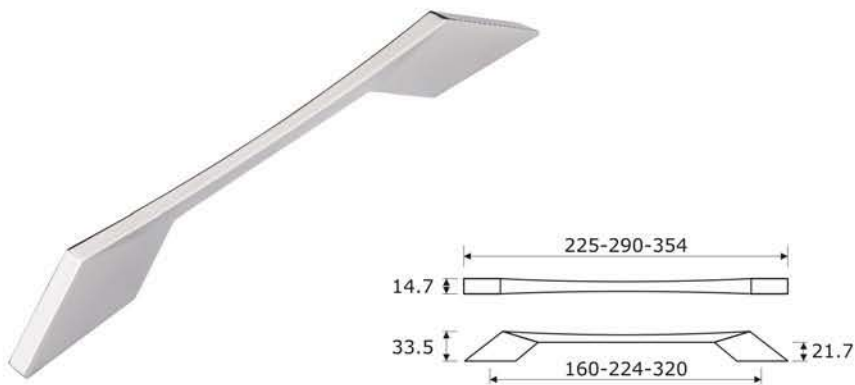
**EA291**



Finish: Matt Chrome, Matt Antique Brass, Satin Brass, Inox



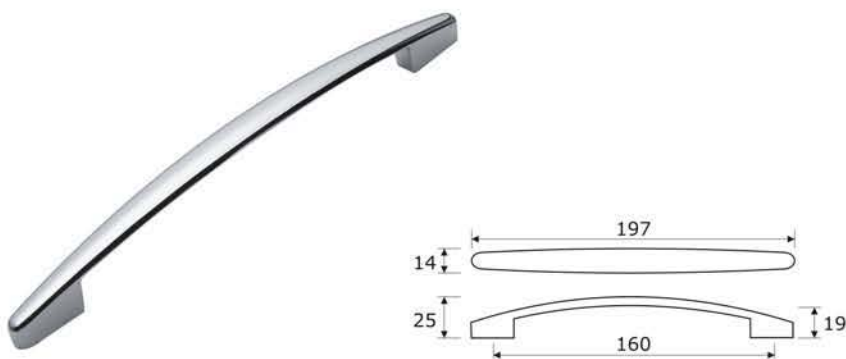
**EA292**



Finish: Satin Nickel, Matt Black, Matt Antique Brass, Satin Brass



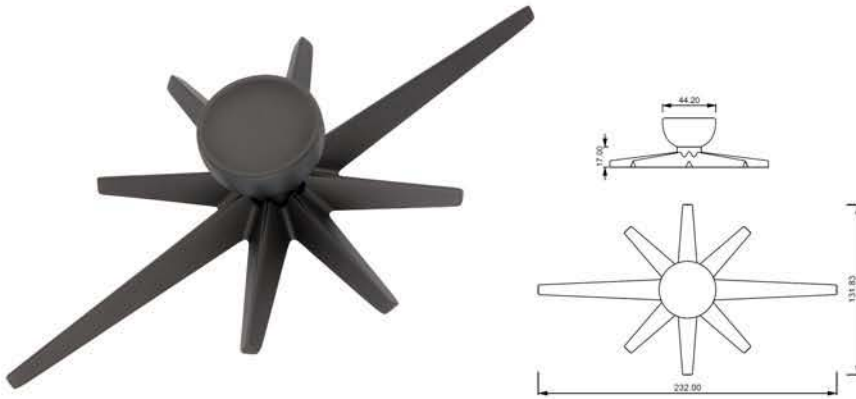
**EA295**



Finish: Satin Nickel, Matt Black, Satin Brass



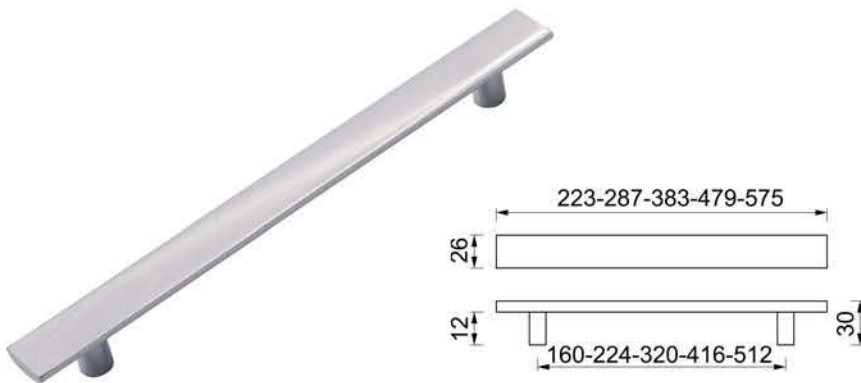
**EA398**



Finish: Matt Black, Matt Antique Brass, Satin Brass



**EA1060**



Finish: Matt Black, Satin Nickel, Matt Antique Brass  
Satin Brass, Chrome



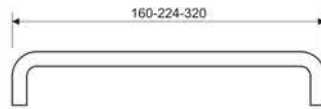
**EA304**



Finish: Satin Nickel, Matt Black, Matt Copper, Satin Brass  
Matt Antique Brass



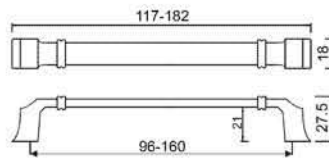
**EA395**



Finish: Satin Nickel, Matt Black, Matt Copper  
Matt Antique Brass, Satin Brass



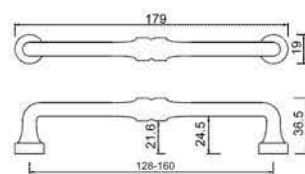
**EA546**



Finish: Matt Black, Matt Copper, Matt Antique Brass, Satin Brass

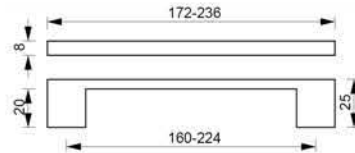
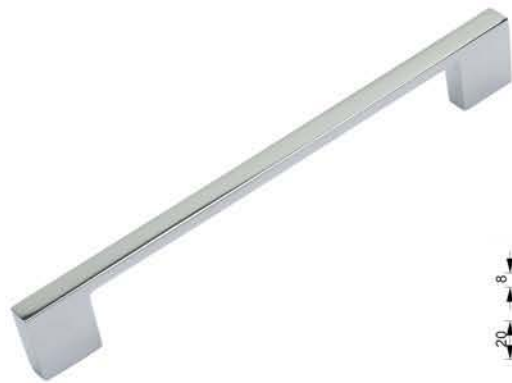


**EA551**

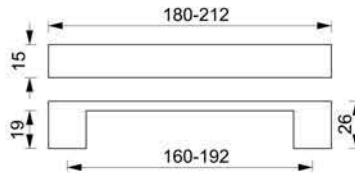
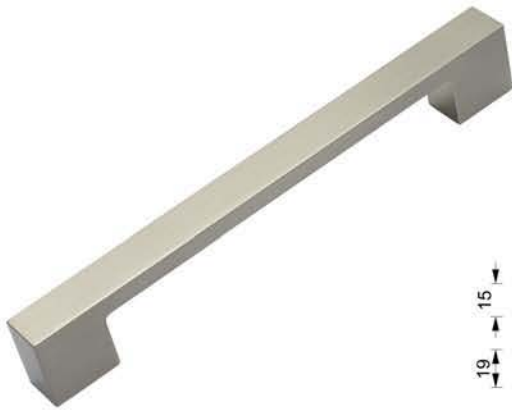


Finish: Matt Black, Matt Antique Brass, Satin Brass

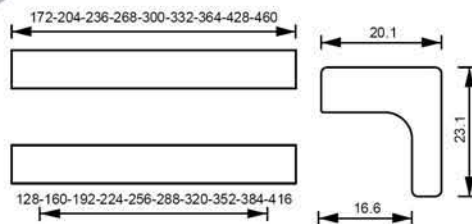
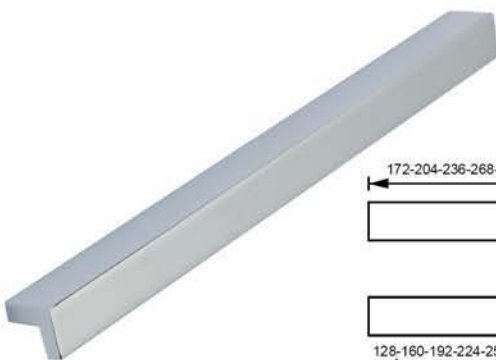


**EA705**


Finish: Satin Nickel, Matt Black, Matt Antique Brass, Satin Brass


**EA806 Orta**


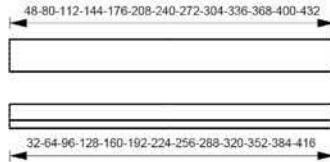
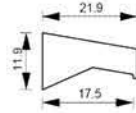
Finish: Satin Nickel, Matt Black, Matt Antique Brass, Satin Brass


**EA813**


Finish: Satin Nickel, Matt Black, Matt Antique Brass, Satin Brass



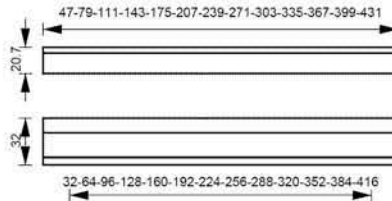
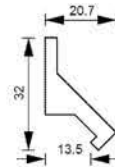
**EA824**



**Finish: Matt Black, Satin Nickel, Matt Antique Brass, Satin Brass**



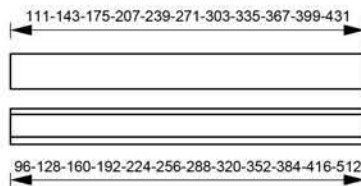
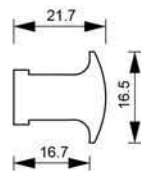
**EA825**



**Finish: Matt Black, Satin Nickel, Matt Antique Brass, Satin Brass**



**EA827**

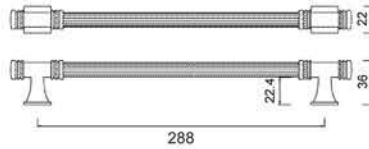


**Finish: Matt Black, Satin Nickel, Matt Antique Brass, Satin Brass**





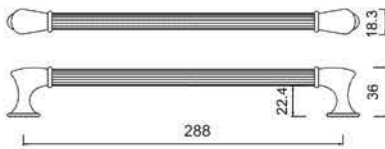
**EA835**



**Finish: Matt Copper, White Gold, Matt Black, Matt Antique Brass  
Satin Brass**



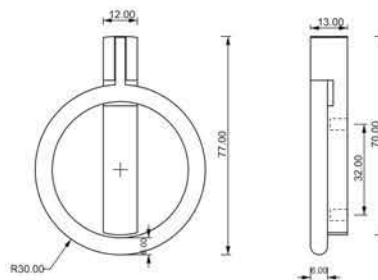
**EA838**



**Finish: Matt Copper, White Gold, Matt Black, Matt Antique Brass  
Satin Brass**

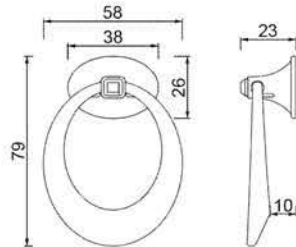


**EA901**

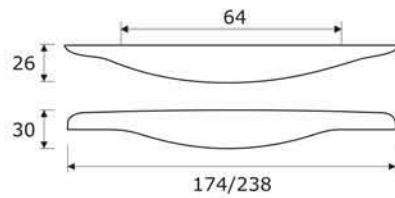


**Finish: Matt Black, Chrome, Satin Nickel, Matt Antique Brass  
Satin Brass**

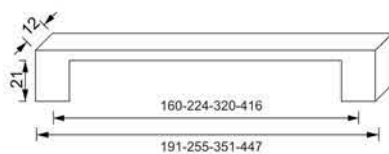


**EA906**


**Finish: Satin Nickel, Matt Black, Matt Copper, Chrome  
Matt Antique Brass, Satin Brass**


**EA930**


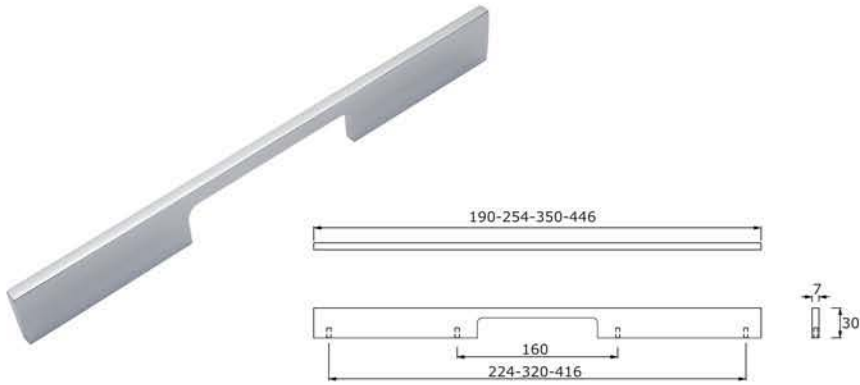
**Finish: Satin Nickel, Matt Black, Matt Antique Brass, Satin Brass**


**EA1040**


**Finish: Satin Nickel, Matt Black, Matt Antique Brass, Satin Brass**



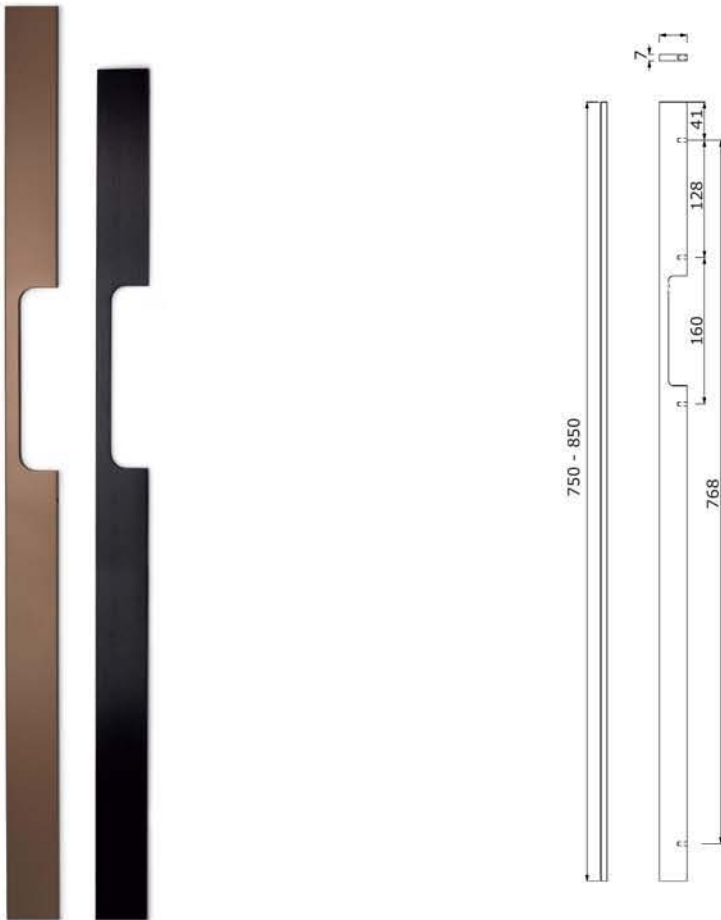
**EA1050**



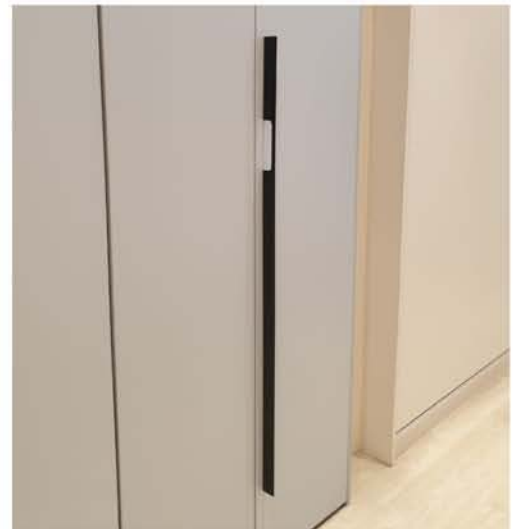
Finish: Satin Nickel, Matt Black, Satin Brass

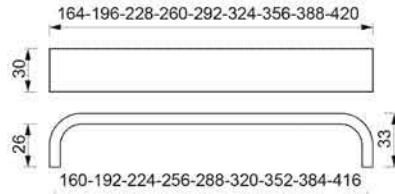
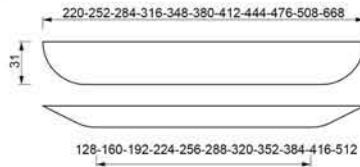
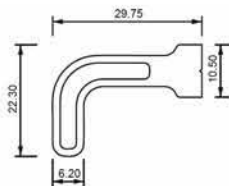


**EA1050/700**  
**EA1050/850**

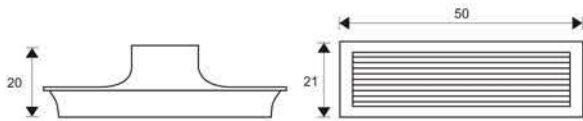


Finish: Satin Nickel, Matt Black, Satin Brass



**EA1053**

**Finish: Satin Nickel, Matt Black, Matt Antique Brass, Satin Brass**
**EA1205**

**Finish: Satin Nickel, Matt Black, Matt Antique Brass, Satin Brass**
**EA1110**

**Finish: Satin Nickel, Matt Black, Matt Antique Brass, Satin Brass**

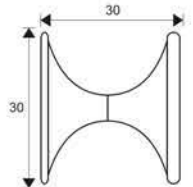
**EA46**



**Finish: Matt Black, Matt Antique Brass  
Satin Brass**



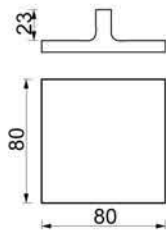
**EA48**



**Finish: Matt Black, Matt Antique Brass  
Satin Brass, Satin Nickel**



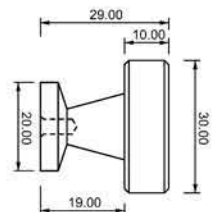
**EA808**



**Finish: Satin Nickel, Matt Black  
Matt Antique Brass Satin Brass**



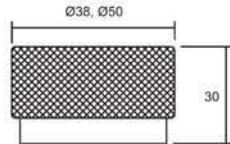
**EA30**



**Finish: Satin Nickel, Matt Black  
Matt Antique Brass Satin Brass**



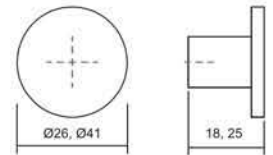
**EA0486**



**Finish: Stainless Steel Look, Brushed Dark Brass, Brushed Black**



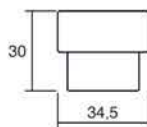
**EA0168**



**Finish: Matt Chrome, Brushed Nickel, Brushed Copper, Brushed Gold, Matt Black, Matt White**



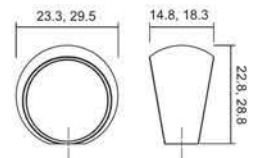
**EA0009**



**Finish: White+Brushed Nickel  
Black+Brushed Nickel**



**EA0374**



**Finish: Polished Chrome, Brushed Nickel  
Brushed Brass**



EA01



Colors: Multi



EA03



Colors: Purple, Pink, Blue, Yellow



EA04



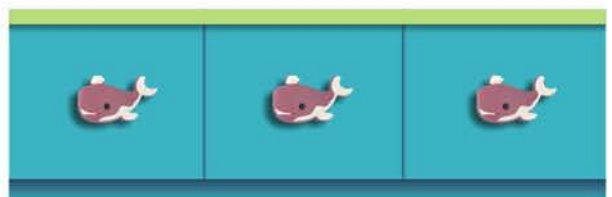
Colors: Orange

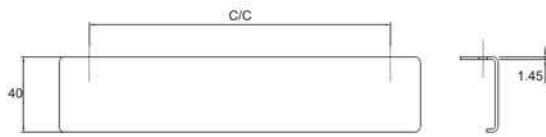


EA06

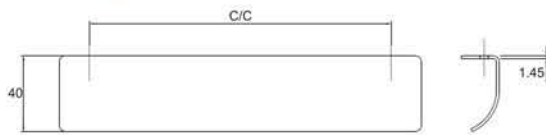


Colors: Blue, Purple

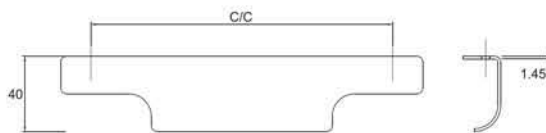


**Pull Handle**

**Finish: SSS, PSS**

Item no.	Size
● FHP32	: 32
● FHP64	: 64
● FHP128	: 128
● FHP160	: 160
● FHP224	: 224


**Curved Pull Handle**

**Finish: SSS, PSS**

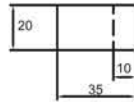
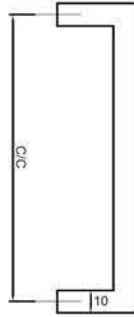
Item no.	Size
● FHCP32	: 32
● FHCP64	: 64
● FHCP128	: 128
● FHCP160	: 160
● FHCP224	: 224


**Curved Pull Handle**

**Finish: SSS, PSS**

Item no.	Size
● FHCCP160	: 160
● FHCCP192	: 192
● FHCCP224	: 224
● FHCCP256	: 256
● FHCCP224	: 224

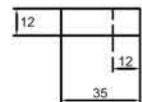
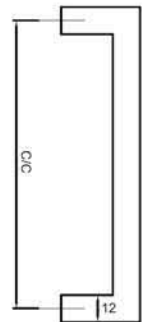




**20 x 10mm Rectangular 'D' Handle**


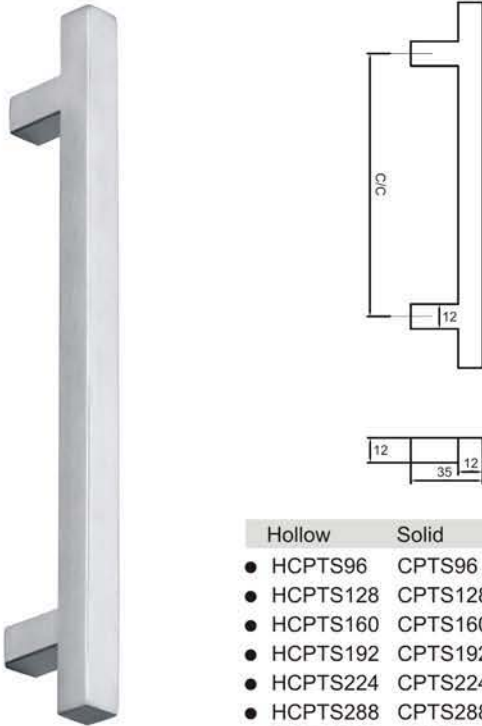
Hollow	Solid	Size
● HCPDR96	CPDR96	: 96mm
● HCPDR128	CPDR128	: 128mm
● HCPDR160	CPDR160	: 160mm
● HCPDR192	CPDR192	: 192mm
● HCPDR224	CPDR224	: 224mm
● HCPDR288	CPDR288	: 288mm
● HCPDR352	CPDR352	: 352mm
● HCPDR448	CPDR448	: 448mm

**Finish: SSS, PSS**

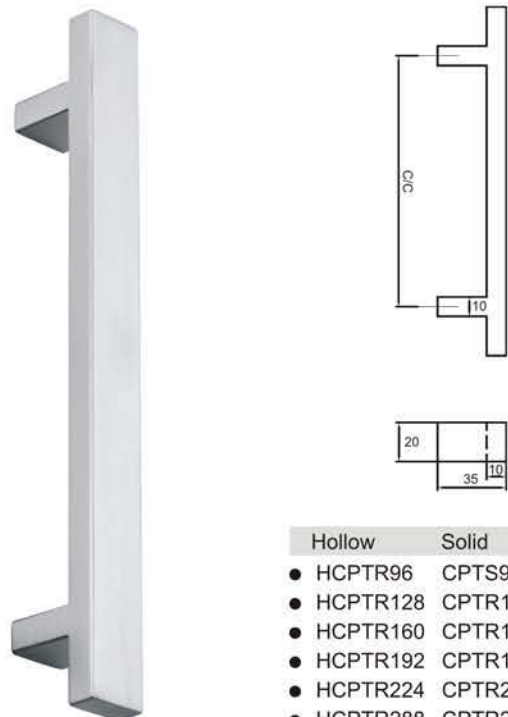
**12 x 12mm Square 'D' Handle**


Hollow	Solid	Size
● HCPDS96	CPDS96	: 96mm
● HCPDS128	CPDS128	: 128mm
● HCPDS160	CPDS160	: 160mm
● HCPDS192	CPDS192	: 192mm
● HCPDS224	CPDS224	: 224mm
● HCPDS288	CPDS288	: 288mm
● HCPDS352	CPDS352	: 352mm
● HCPDS448	CPDS448	: 448mm

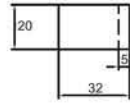
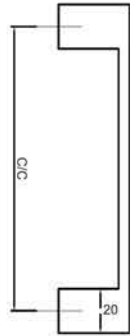
**Finish: SSS, PSS**

**12 x 12mm 'T' Bar Square Handle**

**Finish: SSS, PSS**

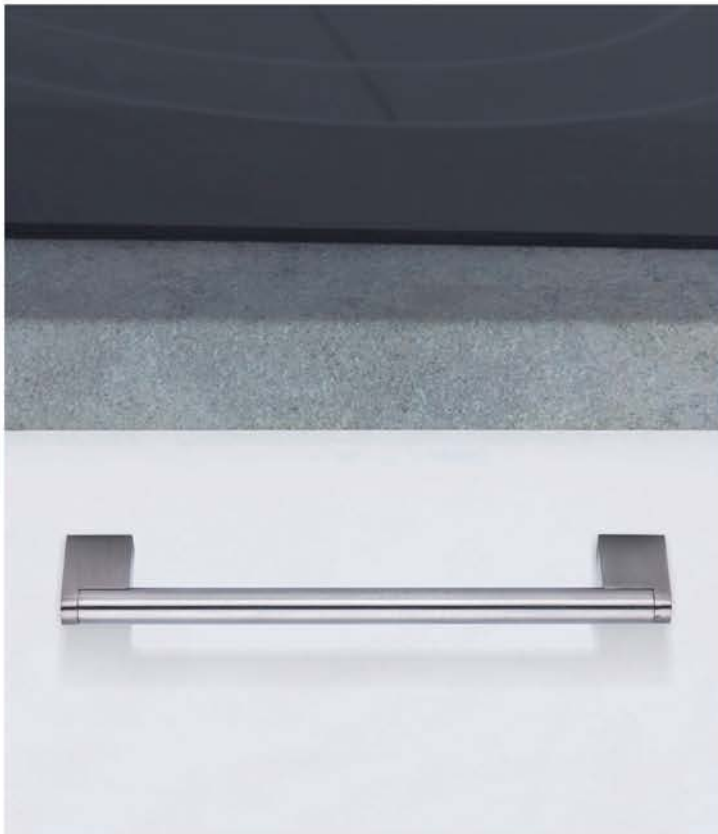
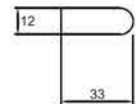
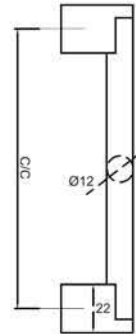
Hollow	Solid	Size
● HCPTS96	CPTS96	: 96mm
● HCPTS128	CPTS128	: 128mm
● HCPTS160	CPTS160	: 160mm
● HCPTS192	CPTS192	: 192mm
● HCPTS224	CPTS224	: 224mm
● HCPTS288	CPTS288	: 288mm
● HCPTS352	CPTS352	: 352mm
● HCPTS448	CPTS448	: 448mm


**20 x 10mm 'T' Bar Rectangular Handle**

**Finish: SSS, PSS**

Hollow	Solid	Size
● HCPTR96	CPTS96	: 96mm
● HCPTR128	CPTR128	: 128mm
● HCPTR160	CPTR160	: 160mm
● HCPTR192	CPTR192	: 192mm
● HCPTR224	CPTR224	: 224mm
● HCPTR288	CPTR288	: 288mm
● HCPTR352	CPTR352	: 352mm
● HCPTR448	CPTR448	: 448mm

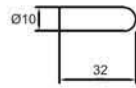
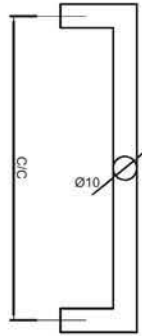
**20 x 5mm Rectangular 'D' Handle (20x20 legs)**


Hollow	Solid	Size
● HCHR96	CHR96	: 96mm
● HCHR128	CHR128	: 128mm
● HCHR160	CHR160	: 160mm
● HCHR192	CHR192	: 192mm
● HCHR224	CHR224	: 224mm
● HCHR288	CHR288	: 288mm
● HCHR352	CHR352	: 352mm
● HCHR448	CHR448	: 448mm

**Finish: SSS, PSS**

**12mm Bar Flag Handle (12x20 legs)**


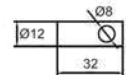
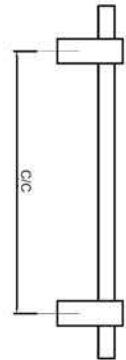
Hollow	Solid	Size
● HHC96	CHC96	: 96mm
● HHC128	CHC128	: 128mm
● HHC160	CHC160	: 160mm
● HHC192	CHC192	: 192mm
● HHC224	CHC224	: 224mm
● HHC288	CHC288	: 288mm
● HHC352	CHC352	: 352mm
● HHC448	CHC448	: 448mm

**Finish: SSS, PSS**

**10mm Mitred Cabinet Handle**


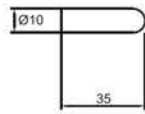
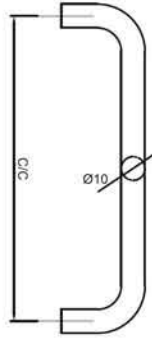
Hollow	Solid	Size
● HCHM96	CHM96	: 96mm
● HCHM128	CHM128	: 128mm
● HCHM160	CHM160	: 160mm
● HCHM192	CHM192	: 192mm
● HCHM224	CHM224	: 224mm
● HCHM288	CHM288	: 288mm
● HCHM352	CHM352	: 352mm
● HCHM448	CHM448	: 448mm

**Finish: SSS, PSS**

**8mm Extended 'T' Bar Handle (12mm legs)**


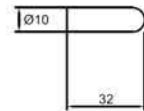
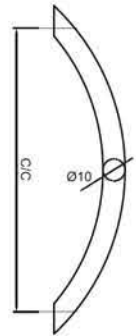
Hollow	Solid	Size
● HCHE96	CHE96	: 96mm
● HCHE128	CHE128	: 128mm
● HCHE160	CHE160	: 160mm
● HCHE192	CHE192	: 192mm
● HCHE224	CHE224	: 224mm
● HCHE288	CHE288	: 288mm
● HCHE352	CHE352	: 352mm
● HCHE448	CHE448	: 448mm

**Finish: SSS, PSS**

**10mm 'D' Handle**


Solid	Size
● CPD96	: 96mm
● CPD128	: 128mm
● CPD160	: 160mm
● CPD192	: 192mm
● CPD224	: 224mm
● CPD288	: 288mm
● CPD352	: 352mm
● CPD448	: 448mm

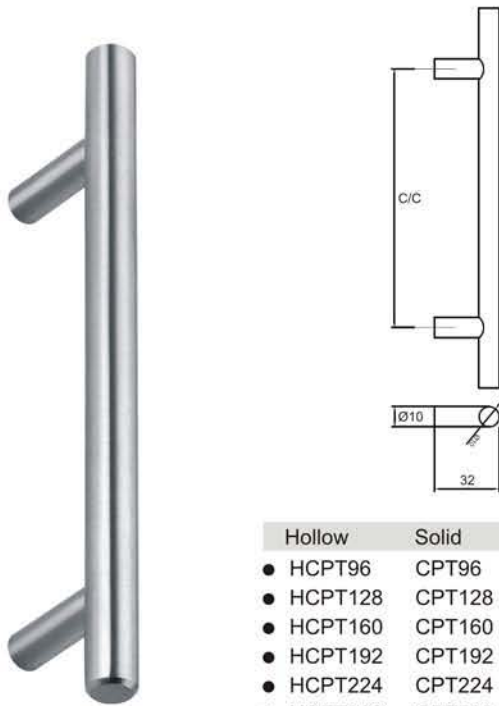
**Finish: SSS, PSS**

**10mm Curve Pull Handle**


Solid	Size
● CPC96	: 96mm
● CPC128	: 128mm
● CPC160	: 160mm
● CPC192	: 192mm
● CPC224	: 224mm
● CPC288	: 288mm
● CPC352	: 352mm
● CPC448	: 448mm

**Finish: SSS, PSS**

10mm 'T' Bar Pull Handle



Hollow	Solid	Size
● HCPT96	CPT96	: 96mm
● HCPT128	CPT128	: 128mm
● HCPT160	CPT160	: 160mm
● HCPT192	CPT192	: 192mm
● HCPT224	CPT224	: 224mm
● HCPT288	CPT288	: 288mm
● HCPT352	CPT352	: 352mm
● HCPT448	CPT448	: 448mm

Finish: SSS, PSS

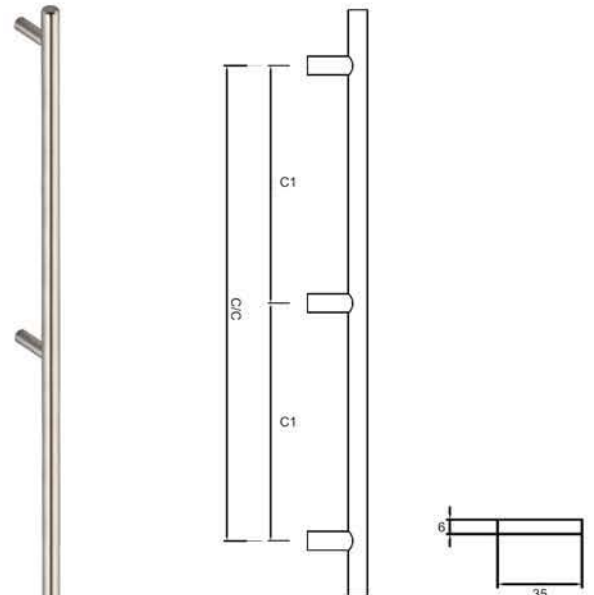


Available in 12mm dia on special order



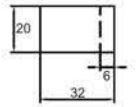
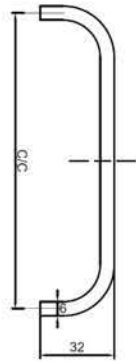
Available in 12mm dia on special order

10mm 'T' Bar Pull Handle

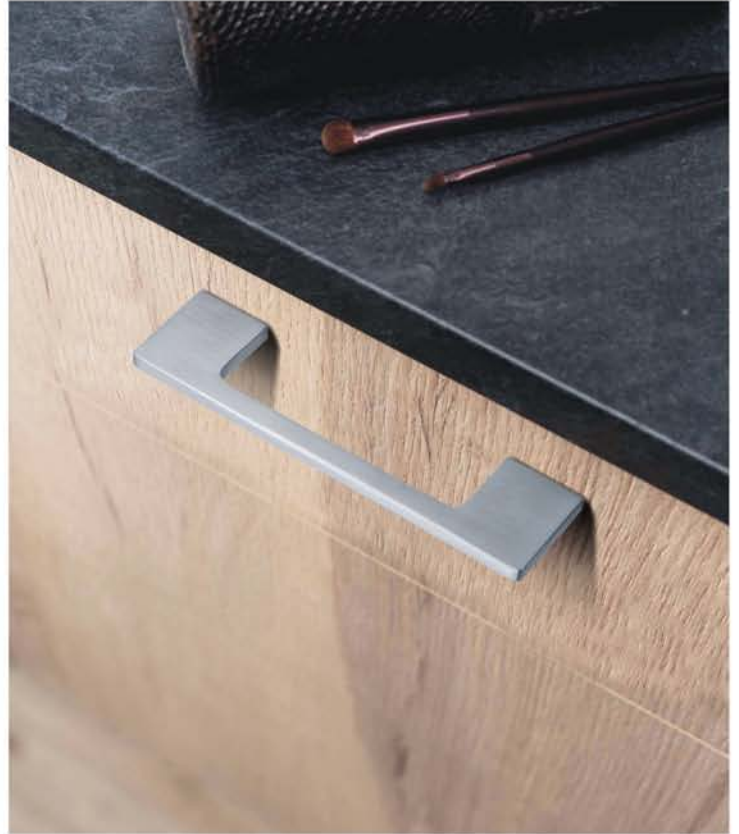
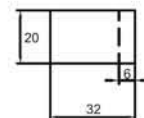
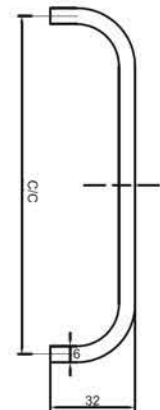


Hollow	Solid	C1	Size
● HCPTT96	CPTTS96	: 480mm	960mm

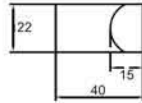
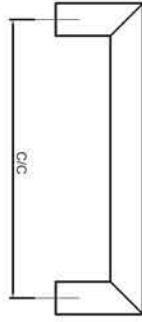
Finish: SSS, PSS

**Square 'D' Handle**


Hollow	Solid	Size
● HFHD96	HFHDS96	: 96mm
● HFHD128	HFHDS128	: 128mm
● HFHD160	HFHDS160	: 160mm
● HFHD192	HFHDS192	: 192mm
● HFHD224	HFHDS224	: 224mm
● HFHD288	HFHDS228	: 288mm
● HFHD352	HFHDS352	: 352mm
● HFHD448	HFHDS448	: 448mm

**Finish: SSS, PSS**

**Curve 'D' Pull Handle**

**Finish: SSS, PSS**

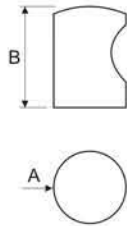
Hollow	Solid	Size
● HFHH96	HFHS96	: 96mm
● HFHH128	HFHS128	: 128mm
● HFHH160	HFHS160	: 160mm
● HFHH192	HFHS192	: 192mm
● HFHH256	HFHS256	: 256mm

**Square 'D' Pull Handle**


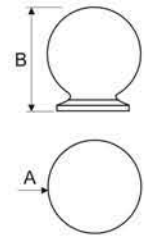
Hollow	Solid	Size
● HFCC96	HFSC96	: 96mm
● HFCC128	HFSC128	: 128mm
● HFCC160	HFSC160	: 160mm
● HFCC192	HFSC192	: 192mm
● HFCC224	HFSC224	: 224mm
● HFCC256	HFSC256	: 256mm
● HFCC288	HFSC228	: 288mm
● HFCC320	HFSC320	: 320mm

**Finish: SSS, PSS**

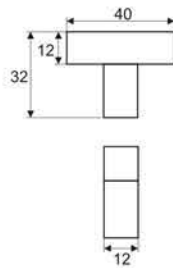



**Cylindrical Cabinet Knob**

**Finish: SSS, PSS**

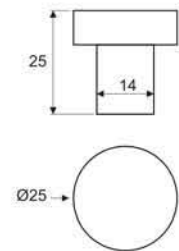
Item no.	Size (AxB)
● CKS201	: 16x26
● CKS202	: 20x28
● CKS203	: 25x30

**Cylindrical Cabinet Knob**

**Finish: SSS, PSS**

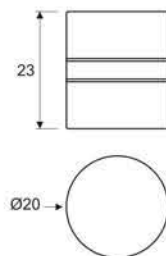
Item no.	Size
● CKS208	: 25
● CKS209	: 30

**'T' Square Cabinet Knob**

**Finish: SSS, PSS**

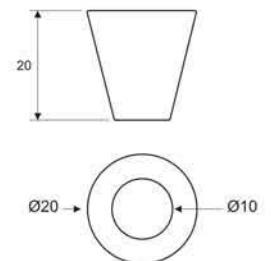
Item no.	Size
● CKS234	: 10
● CKS235	: 12
● CKS236	: 15

**Flat Round Knob**

**Finish: SSS, PSS**

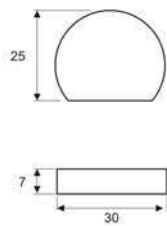
Item no.	Size
● CKS210	: 15
● CKS211	: 20
● CKS212	: 25

**Cylindrical Cabinet Knob**

**Finish: SSS, PSS**

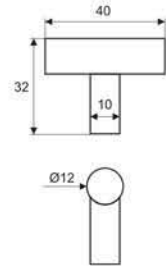
Item no.	Size
● CKS213	: 15
● CKS214	: 20
● CKS215	: 25

**Cylindrical Cabinet Knob**

**Finish: SSS, PSS**

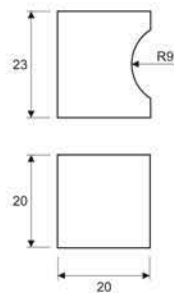
Item no.	Size
● CKS216	: 12
● CKS217	: 16
● CKS218	: 20

**Oval Cabinet Knob**

**Finish: SSS, PSS**

Item no.	Size
● CKS223	: 30
● CKS224	: 35
● CKS225	: 45

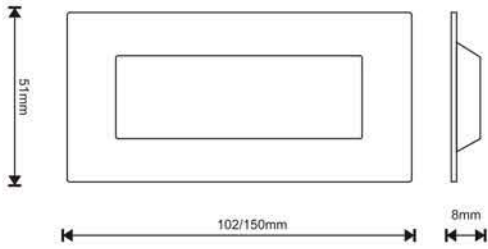
**'T' Round Cabinet Knob**

**Finish: SSS, PSS**

Item no.	Size
● CKS231	: 10
● CKS232	: 12
● CKS233	: 15

**Square Cabinet Knob**

**Finish: SSS, PSS**

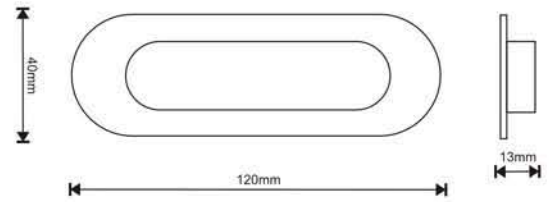
Item no.	Size
● CKS226	: 12
● CKS227	: 15
● CKS228	: 20
● CKS229	: 25

**FPS204** - 102x51mm  
**FPS205** - 150x51mm



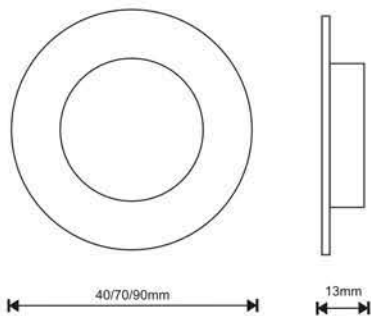
**Finish: SSS, PSS**

**FPS215** - 120x10mm



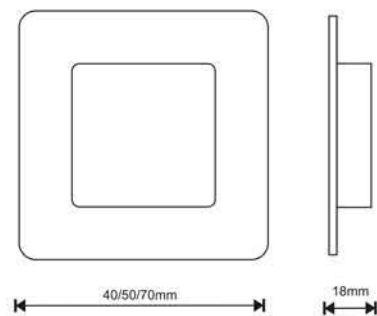
**Finish: SSS, PSS**

**FPS230** - 40x40mm  
**FPS231** - 70x70mm  
**FPS232** - 90x90mm



**Finish: SSS, PSS**

**FPS260** - 40x40mm  
**FPS261** - 50x50mm  
**FPS262** - 70x70mm

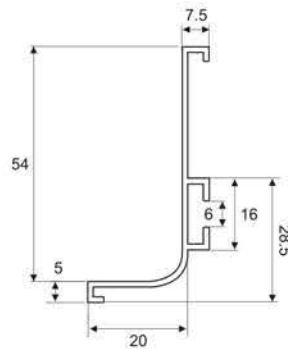


**Finish: SSS, PSS**



 Profile Handles

**Recessed grip profile  
EAA3210**

**End Cap  
EAA2102 Left  
EAA2103 Right**


**Material:** Zinc Alloy  
**Finish:** Silver Anodised, Black, White

**Features**

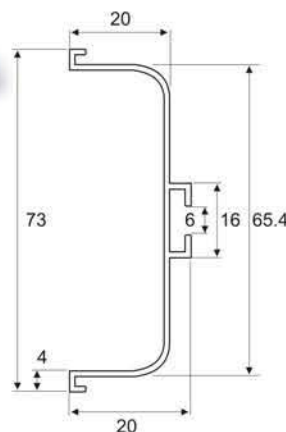
- Area of application: For front panels without handle, for mounting between worktop and front panel beneath
- Length: 2500mm
- Effective length: 2460mm


**Recessed grip profile  
EA3211**

**End Cap  
EA2100 Left  
EA2101 Right**

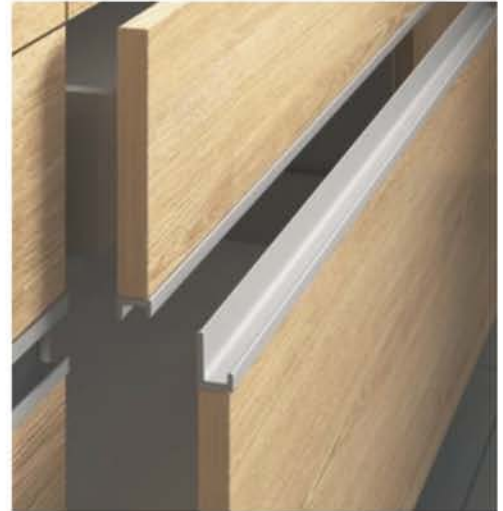
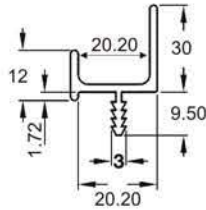
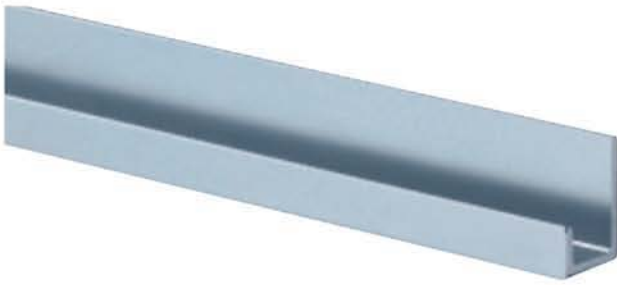
**Mounting Bracket 90°  
EAA2104**


**Material:** Zinc Alloy      **Material:** Steel  
**Finish:** Silver Anodised, Black, White


**Features**

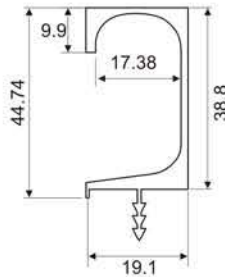
- Area of application: For front panels without handle, for mounting between worktop and front panel beneath
- Length: 2500mm
- Effective length: 2460mm





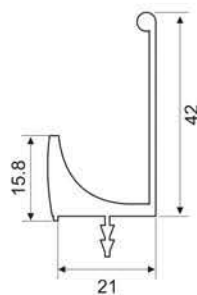
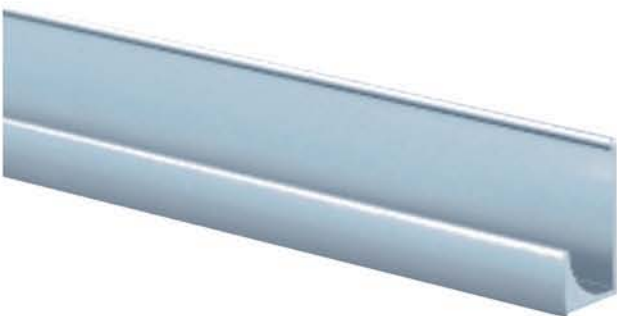
**Finish: Silver Anodised**

Item no.	Length mm
EAA2410	2500



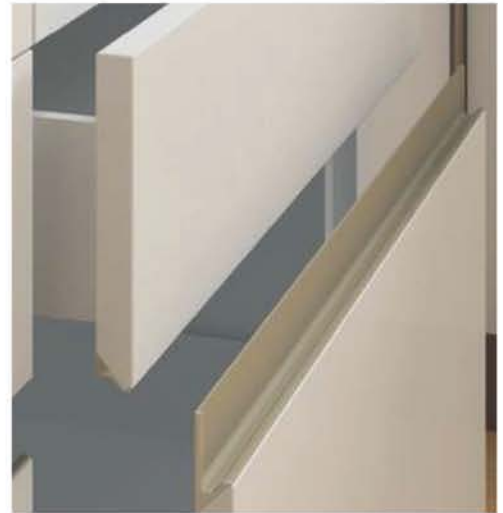
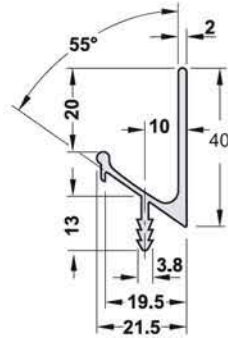
**Finish: Silver Anodised**

Item no.	Length mm
EA2417	2500



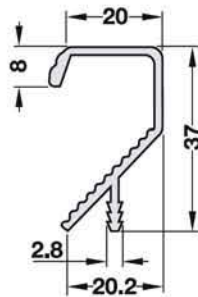
**Finish: Silver Anodised**

Item no.	Length mm
EA2419	3000



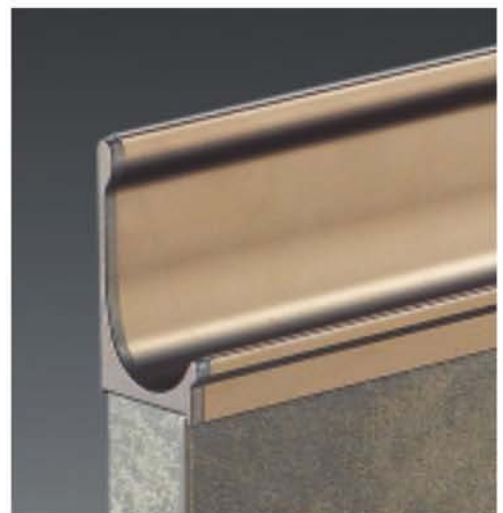
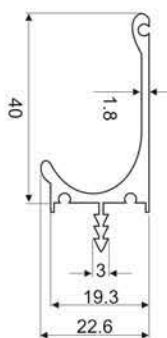
**Finish: Silver Anodised**

Item no.	Length mm
EAA3110	2500



**Finish: Silver Anodised**

Item no.	Length mm
EAA3601	2500

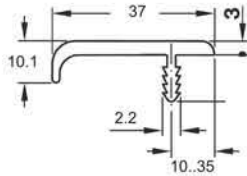


**Finish: Silver Anodised**

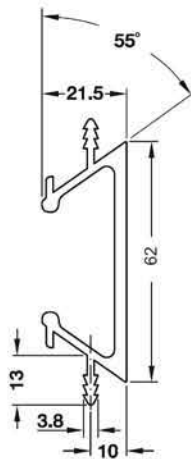
Item no.	Length mm
EA3701	2500


**Finish: Silver Anodised**

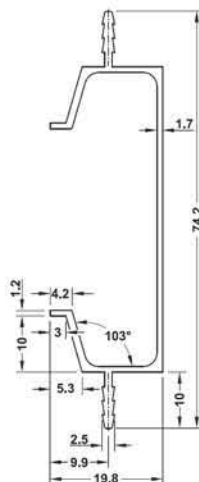
Item no.	Length mm
EA925	2500


**Finish: Silver Anodised**

Item no.	Length mm
EA900	2500


**Finish: Silver Anodised**

Item no.	Length mm
EAA3605	2500







■ Wardrobe Fittings



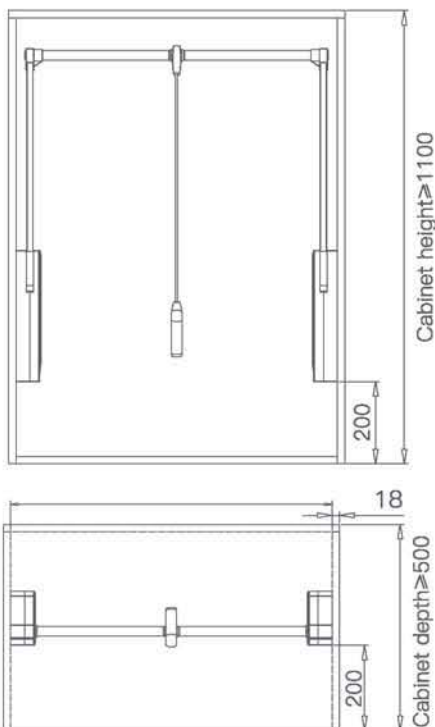
### Pull Down Closet Rod

**Product Description:**

- Operated by pull rod with soft closing
- Width adjustment for inside carcass: 564 - 964mm
- Installation: Screw fixing to side panel
- Material: Arm & tube is of aerospace level Al-Mi alloy, with powder coated finishing
- Loading capacity: 15kg
- Color: Pearl Grey / Brown



Item Code	Size WxDxH (mm)	Color	Width (mm)
W10002	(564-764)x140x808	Pearl Grey / Brown	600 - 800
W10003	(764-964)x140x808	Pearl Grey / Brown	800 - 1000





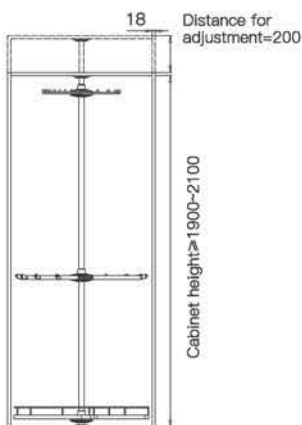
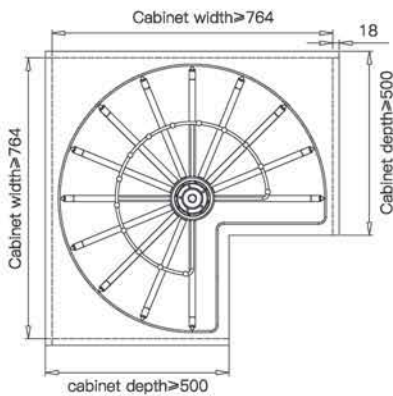
### Three Layers Rotating Clothes Basket

**Product Description:**

- 360 Deg rotating multi-function storage basket for maximum utilization of corner space
- Height adjustment: 200mm
- Cabinet height: 1900-2100mm
- Material: High level ABS & Stainless steel
- Color: Pearl Grey



Item Code	Size WxDxH (mm)	Color	Width (mm)
W10E03	730x435x(1900-2100)	Pearl Grey	800x800





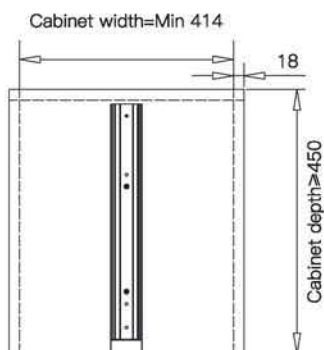
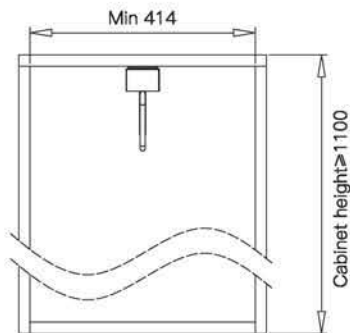
## Closet Hanger

### Product Description:

- Extendable clothes hanger with soft closing slide
- Ergonomics handle design for smooth grip & pull
- Cabinet depth: 450mm
- Material: Aerospace level of Al-Mi alloy with powder coated finishing
- Loading capacity: 5-7kg
- Color: Pearl grey / Brown



Item Code	Size WxDxH (mm)	Color	Width (mm)
W10004	54x425x137	Pearl Grey / Brown	450





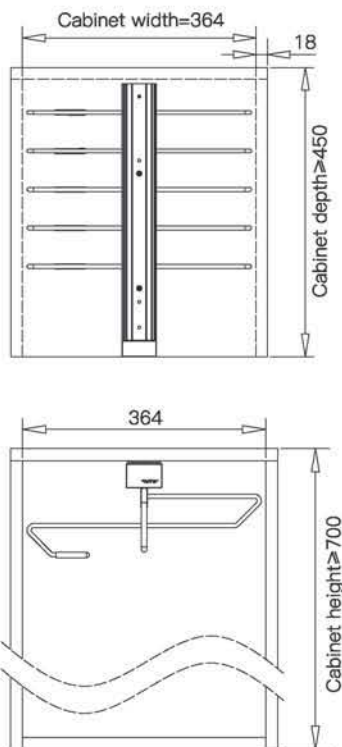
### Trouser Hanger

**Product Description:**

- Extendable trouser hanger with soft close slide
- Ergonomics handle design for smooth grip & pull
- Cabinet depth: 450mm
- Material: Aerospace level of Al-Mi alloy with powder coated finishing
- Loading capacity: 10kg
- Color: Pearl grey / Brown



Item Code	Size WxDxH (mm)	Color	Width (mm)
W10006	350x425x145	Pearl Grey / Brown	400





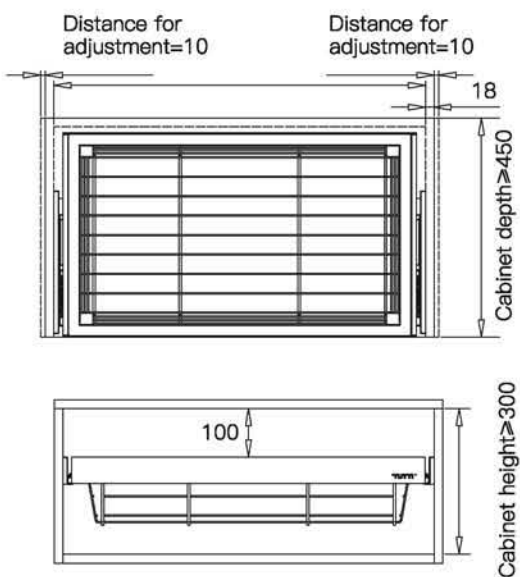
## Storage Basket

### Product Description:

- Wire storage basket with aluminium frame and concealed full extension soft close undermount slide
- Width adjustment 20mm
- Durability: 50,000 cycle tested
- Material: Aerospace level of Al-Mi alloy with powder coated finishing
- Loading capacity: 35kg
- Color: Pearl grey / Brown



Item Code	Size WxDxH (mm)	Color	Min width (mm)
W10056	564x420x140	Pearl Grey / Brown	600
W10066	664x420x140	Pearl Grey / Brown	700
W10076	764x420x140	Pearl Grey / Brown	800
W10086	864x420x140	Pearl Grey / Brown	900





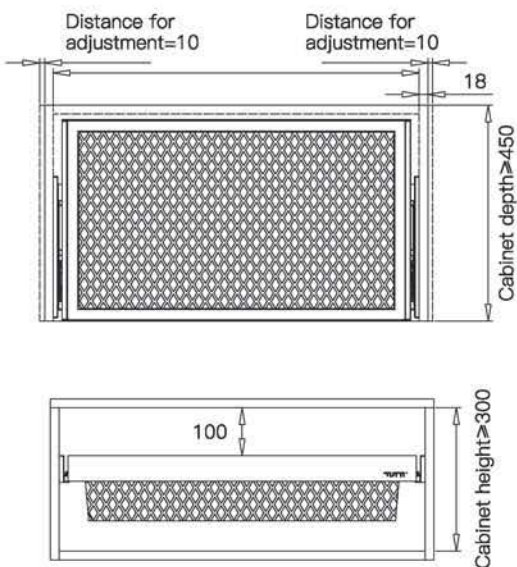
## Storage Basket

### Product Description:

- Mesh storage basket with aluminium frame and concealed full extension soft close undermount slide
- Width adjustment 20mm
- Durability: 50,000 cycle tested
- Material: Aerospace level of Al-Mi alloy with powder coated finishing
- Loading capacity: 35kg
- Color: Pearl grey / Brown



Item Code	Size WxDxH (mm)	Color	Min width (mm)
W10256	564x420x140	Pearl Grey / Brown	600
W10266	664x420x140	Pearl Grey / Brown	700
W10276	764x420x140	Pearl Grey / Brown	800
W10286	864x420x140	Pearl Grey / Brown	900





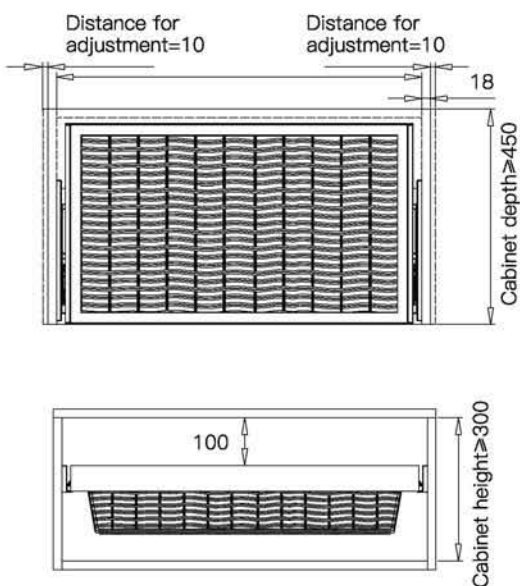
## Rattan Basket

### Product Description:

- Rattan storage basket with aluminium frame and concealed full extension soft close undermount slide
- Width adjustment 20mm
- Durability: 50,000 cycle tested
- Material: Rattan is of PP material which is environment friendly, tightly knitted
- Loading capacity: 35kg
- Color: Pearl grey/brown



Item Code	Size WxDxH (mm)	Color	Min width (mm)
W10456	564x420x140	Pearl Grey / Brown	600
W10466	664x420x140	Pearl Grey / Brown	700
W10476	764x420x140	Pearl Grey / Brown	800
W10486	864x420x140	Pearl Grey / Brown	900







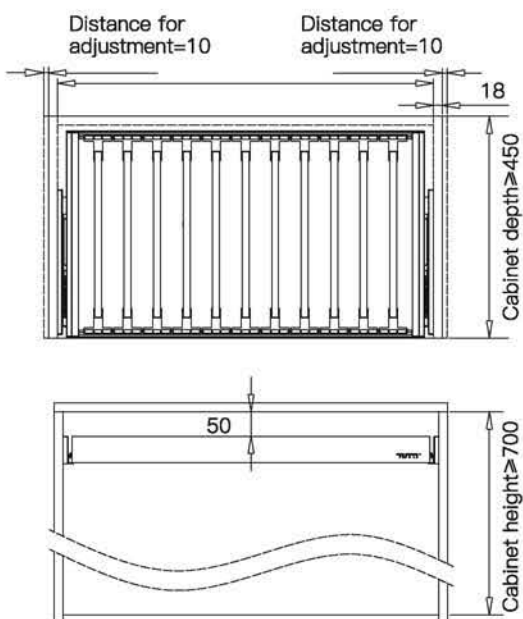
## Aluminum Frame Trousers Rack

### Product Description:

- Trousler holder with non-slip element
- Installed between carcass sides
- Aluminium frame with concealed full extension soft close undermount slide
- Width adjustment: 20mm
- Durability: 50,000 cycles tested
- Material: Aerospace level of Al-Mi alloy with powder coated finishing
- Loading capacity: 35kg
- Color: Pearl grey / Brown



Item Code	Size WxDxH (mm)	Color	Min width (mm)
W10748	480x420x56	Pearl Grey / Brown	516
W10756	564x420x56	Pearl Grey / Brown	600
W10766	664x420x56	Pearl Grey / Brown	700
W10776	764x420x56	Pearl Grey / Brown	800
W10786	864x420x56	Pearl Grey / Brown	900





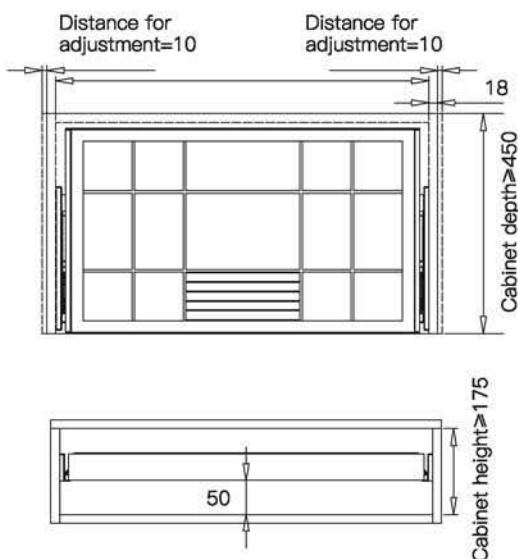
## Jewellery Tray

### Product Description:

- Multiple sections for storing different accessories and jewellery items
- Tray with aluminium frame and concealed full extension soft close undermount slide
- Width adjustment: 20mm
- Durability: 50,000 cycle tested
- Material: Aerospace level of Al-Mi alloy with power coated finishing
- Color: Pearl grey/brown



Item Code	Size WxDxH (mm)	Color	Min width (mm)
W10848	480x420x61	Pearl Grey / Brown	516
W10856	564x420x61	Pearl Grey / Brown	600
W10866	664x420x61	Pearl Grey / Brown	700
W10876	764x420x61	Pearl Grey / Brown	800
W10886	864x420x61	Pearl Grey / Brown	900





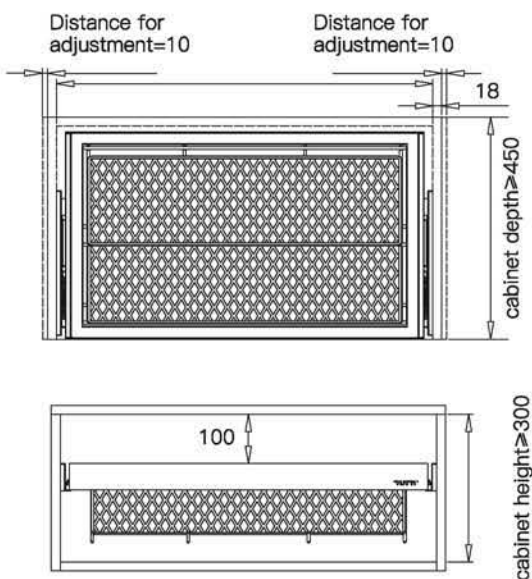
## Aluminum Frame Shoe Rack

### Product Description:

- Installation between carcass sides
- Can take minimum 4 pairs (600mm) & 6 pairs (900mm) for adult size shoes
- Aluminium frame with concealed full extension soft close undermount slides
- Width adjustment: 20mm
- Durability: 50,000 cycle tested
- Loading capacity: 35kg
- Material: Aerospace level of Al-Mi alloy with power coated finishing
- Color: Pearl grey/brown



Item Code	Size WxDxH (mm)	Color	Min width (mm)
W10556	564x420x160	Pearl Grey / Brown	600
W10566	664x420x160	Pearl Grey / Brown	700
W10576	764x420x160	Pearl Grey / Brown	800
W10586	864x420x160	Pearl Grey / Brown	900





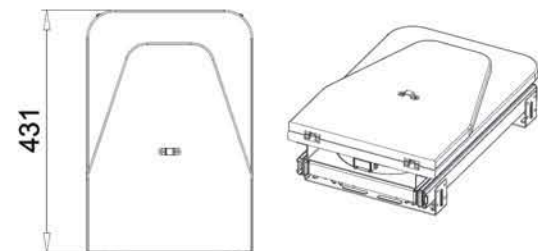
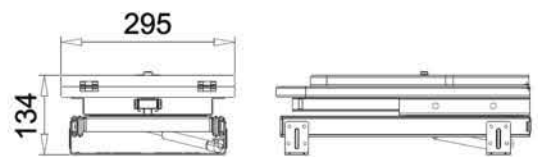
## Ironing Board

### Product Description:

- The folding and rotating function of the ironing board allows the product to fit in to 430mm cabinet space
- The flat board surface can be rotated 180 deg horizontal to achieve free adjustment of ironing angle and position
- Pull out function with full extension soft closing slides
- Installation height: 140mm
- Cabinet depth: 430mm
- Cabinet width: 300mm
- Color: Power coated white and creamy white clothing



Item Code	Size WxDxH (mm)	Color	Min width (mm)
W10B01W	300x430x140	White Clothing	500

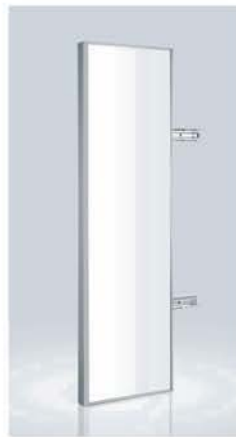




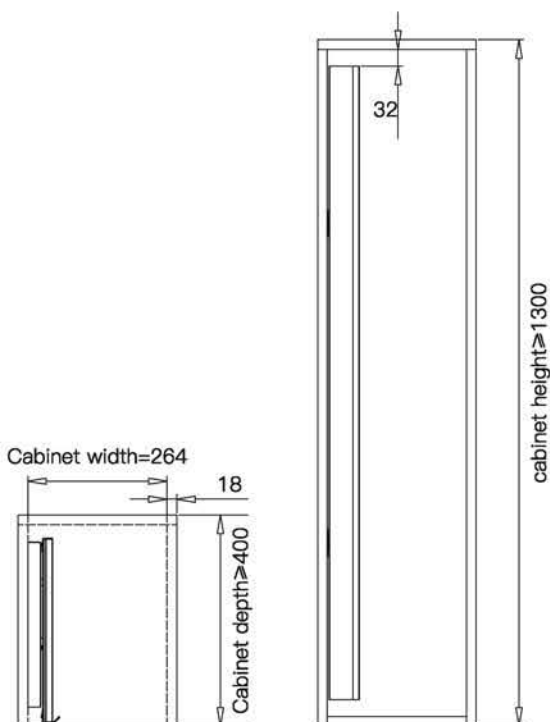
## Revolve Mirror

### Product Description:

- The rotating function of the mirror allows the product to fit into 400mm cabinet space
- The mirror with aluminium frame can be rotated 180 deg vertically to achieve free adjustment
- Magnetic suction positioning function with full extension soft closing slide for smooth running
- Material: Aluminium frame, Mirror's back- Cashmere
- Cabinet depth: 400mm
- Color: Pearl grey/brown



Item Code	Size WxDxH (mm)	Color
W10001	61x352x1200	Pearl Grey / Brown

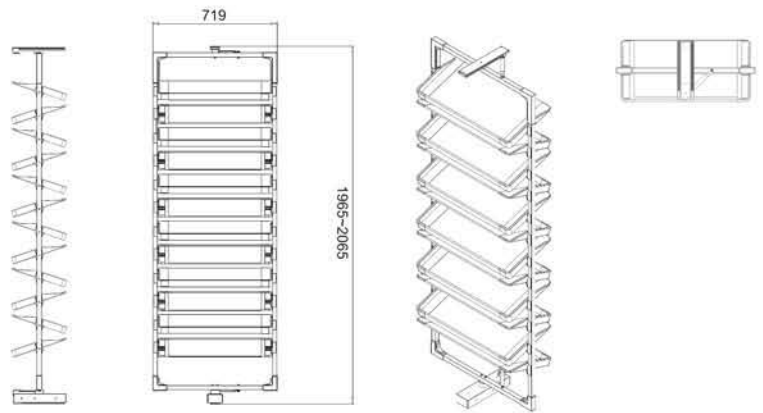




## Rotating Shoe Rack

### Product Description:

- The multi-layer shoe rack can be rotated 360 deg
- Rotation between the aluminium frame and pull out with double slides for smooth function
- Can take minimum 6 pairs per shelf
- Loading capacity: 2kg per shelf
- Available in 6, 8, 10 & 12 layers to serve the space
- Height adjustment: 100mm
- Cabinet depth: 360mm
- Material: Aerospace level of Al-Mi alloy with powder coated finishing
- Color: Brown



Item Code	Size WxDxH (mm)	Color	Min width (mm)
W10D06	6 Layers 718x360x(1255-1155)	Brown	764
W10D08	8 Layers 718x360x(1525-1425)	Brown	764
W10D10	10 Layers 718x360x(1795-1695)	Brown	764
W10D12	12 Layers 718x360x(2065-1965)	Brown	764

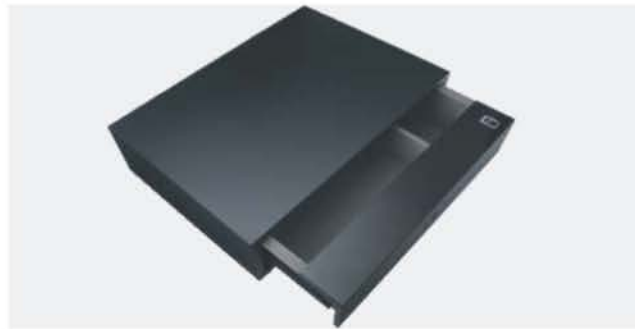




### Biometric Safe

**Product Description:**

- Biometric lock provides greater security and quicker access to the safe's content
- Internal battery can be recharged with bottom mounted external USB interface
- Unlock by multiple sources: Finger print, numerical safety codes and normal keys
- Push the drawer and the safe will be automatically locked
- Installation between the carcass sides with full extension soft closing slides
- Cabinet depth: 400mm
- Cabinet height: 150mm
- Material: Steel
- Color: Black



Item Code	Size WxDxH (mm)	Color
W10C48	480x400x150	Black



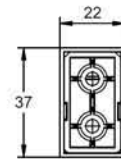


## Hanger Rod

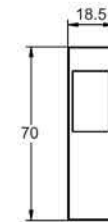
### Product Description:

- Adjustable Hanger rod set are perfect for hanging clothes and organize you closet
- Durable and easy to install
- Available with two variants for end support
- Size: 1000mm (Cutttable as per the size required)
- Material: Aerospace level of Al-Mi alloy with powder coated finishing
- Color: Pearl grey / Brown

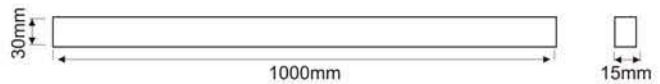
### W10B01 - Support



### W10B02 - Support



### W10B10 - Tube



Item Code	Size (mm)	Color
W10B01 (Support)	-	Pearl grey / Brown
W10B02 (Support)	-	Pearl grey / Brown
W10B10 (Tube)	1000	Pearl grey / Brown





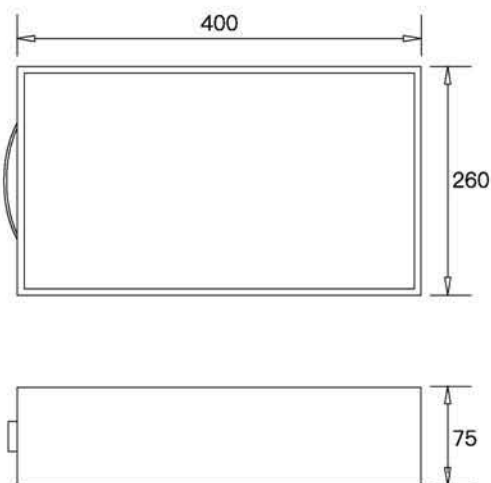
## Shirt Box

### Product Description:

- Shirt box/organiser keep the closet clutter under control by storing all the shirts
- Comfortable leather handle for smooth grip
- The outer layer is made of environment friendly wood and inner layer is covered with leather
- The wear - resistance process of baking paint is adopted for the outer surface treatment
- Cabinet depth: 400mm
- Color: Pearl grey + Creamy white



Item Code	Size WxDxH (mm)	Color	Min Width (mm)
W10A01	400x260x75	Pearl Grey	280

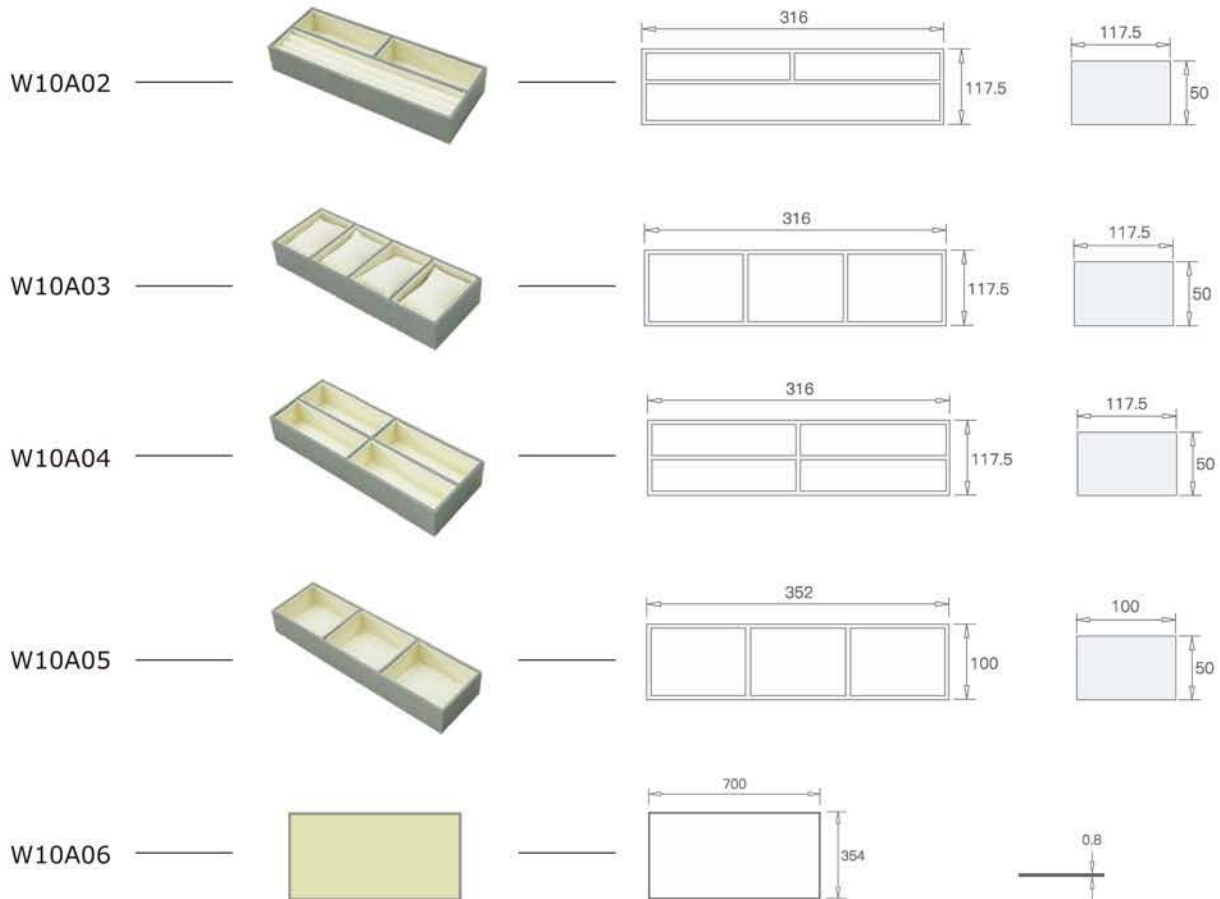




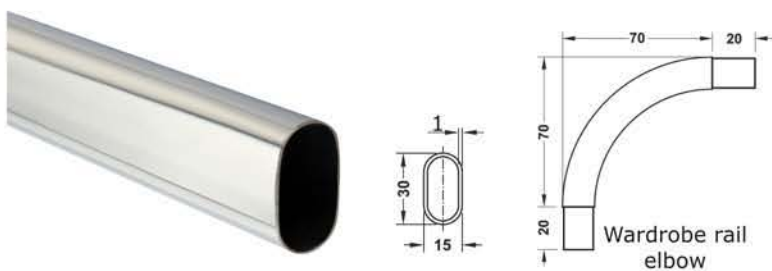
## Jewellery Box

### Product Description:

- Multiple section for storing different accessories and jewellery items
- Box insert can be continuously adjusted to suit intermediate cabinet width
- Color: Pearl grey + Creamy white



Item Code	Size WxDxH (mm)	Color
W10A02	316x117.5x50	Pearl Grey
W10A03	316x117.5x50	Pearl Grey
W10A04	316x117.5x50	Pearl Grey
W10A05	352x100x50	Pearl Grey
W10A06	700x364x0.8	Pearl Grey



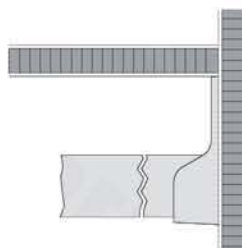
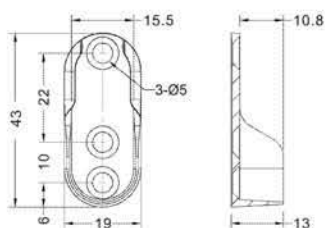
**Finish: Chrome plated**

Item no.	Length mm	Material
EACT15x30	3000	Steel

**Finish: Satin Stainless Steel**

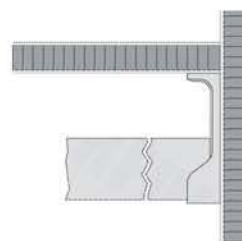
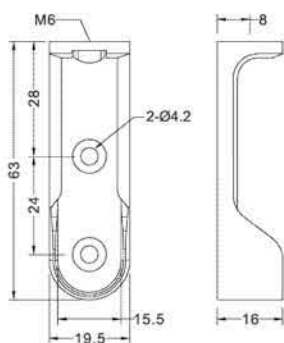
Item no.	Length mm	Material
EACT15x30/SS	3000	SS304

**Wardrobe rail support**



**Finish: Nickle**

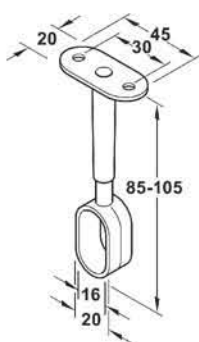
Item no.
EAE004



**Finish: Nickle**

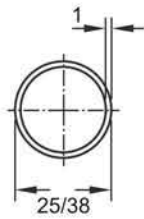
Item no.
EAE005

For Screw fixing beneath shelves, height adjustable (85-105mm)



**Finish: Chrome plated**

Item no.	Material
EABA2320	Zinc Alloy



**Finish: Chrome plated**

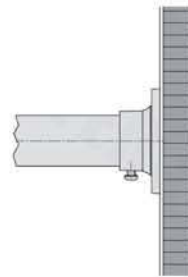
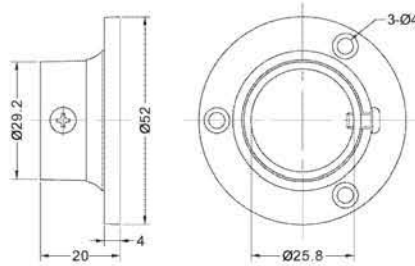
Item no.	Length mm	Dia mm	Material
EAD25x15	3000	25	Steel
EACT38	3000	38	Steel

**Finish: Satin Stainless Steel**

Item no.	Length mm	Dia mm	Material
EAD25X15/SS	3000	25	SS304

**Wardrobe rail support**

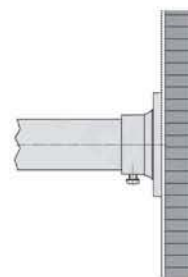
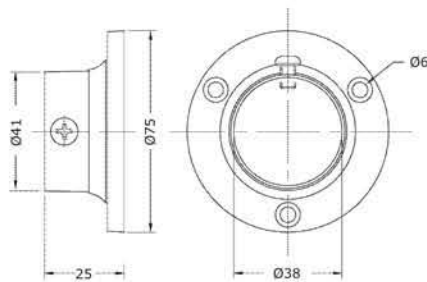
For 25mm Dia



**Finish: Nickle**

Item no.
EAE006

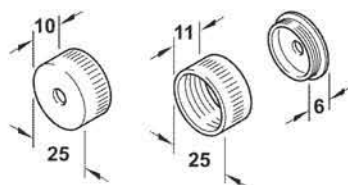
For 38mm Dia



**Finish: Nickle**

Item no.
EAE007

For Screw fixing to side panel



**Finish: Nickle Plated**

Item no.	Material
EABA2321	Brass

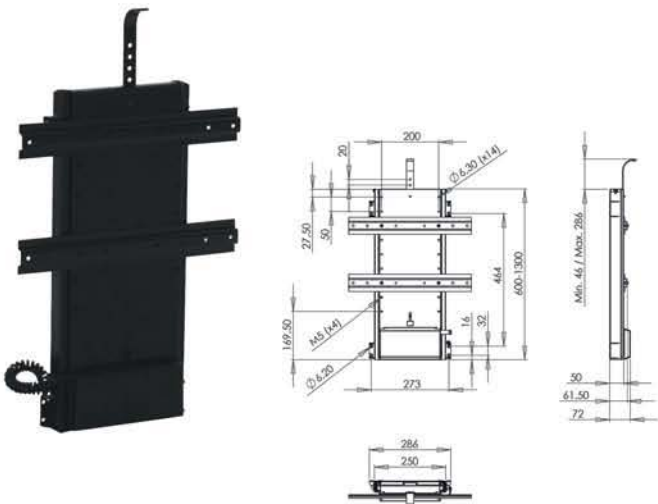


 Lift Up System

## Electric Lift System

### Features

- Load bearing capacity: 65kg Load Standard
- Peak load: 100kg
- 29kg when lift is mounted upside down
- VESA: 200x100, 200x200, 400x200, 400x300, 400x400
- Material: Steel
- Speed: 28mm
- Stroke: 700mm
- Power Supply: 120w AC Power, Max 120w
- Color: Black



### Supplied with

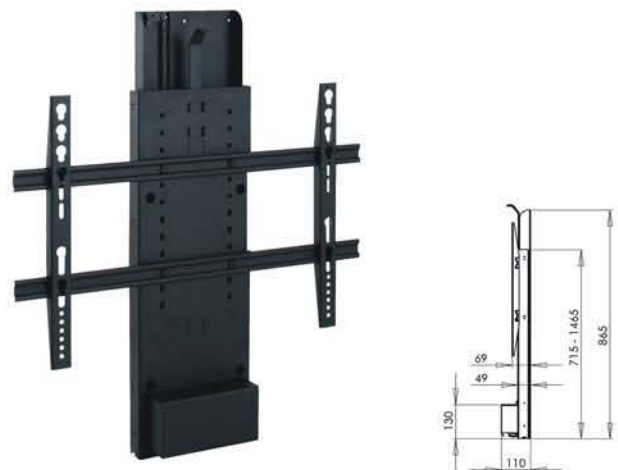
- 1 Lift system
- 1 RF single operated radio remote

Item no.	Stroke	Min/Max Height Lid Lifter
EATS700A	600mm	600-1350mm

## Electric Lift System

### Features

- Load bearing capacity: 65kg (by standard Installation)
- Peak load: 100kg
- 29kg when lift is mounted upside down
- VESA: 200x100, 200x200, 600x400
- Material: Steel
- Speed: 28mm
- Stroke: 750mm
- Power Supply: 120w AC Power, Max 120w
- Color: Black



### Supplied with

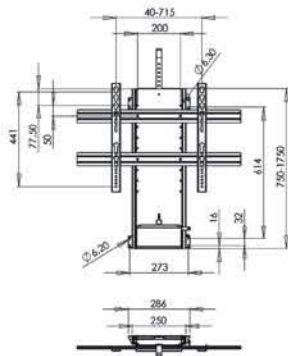
- 1 Lift system
- 1 RF single operated radio remote

Item no.	Stroke	Min/Max Height Lid Lifter
EATS750A	750mm	865-1465mm

## Electric Lift System

### Features

- Load bearing capacity: 65kg Load Standard
- Peak load: 100kg
- 29kg when lift is mounted upside down
- VESA: 200x100, 200x200, 400x200, 400x300, 400x400
- Material: Steel
- Speed: 28mm/sec
- Stroke: 1000mm
- Power Supply: 120w AC Power, Max 120w
- Color: Black



### Supplied with

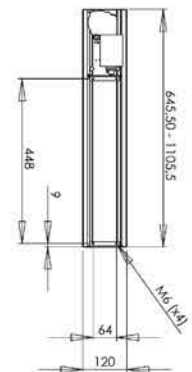
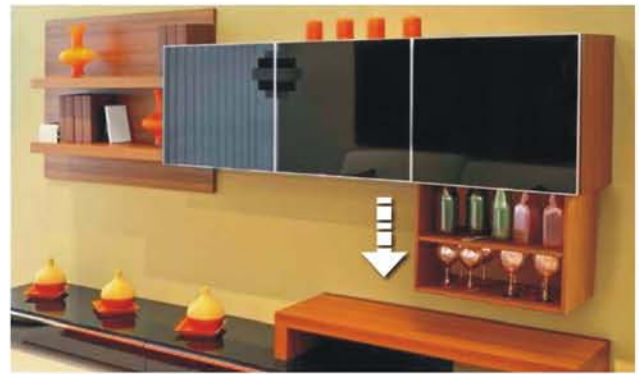
- 1 Lift system
- 1 RF single operated radio remote

Item no.	Stroke	Min/Max Height Lid Lifter
EATS1000A	1000mm	1000-1750mm

## Electric Lift System

### Features

- Load bearing capacity: 50kg (by standard Installation)
- Peak load: 0-50kg
- 29kg when lift is mounted upside down
- VESA: 50x50, 75x75, 100x100, 200x200
- Material: Steel
- Speed: 25mm/sec
- Stroke: 460mm
- Power Supply: 120w AC Power, Max 120w
- Color: Black



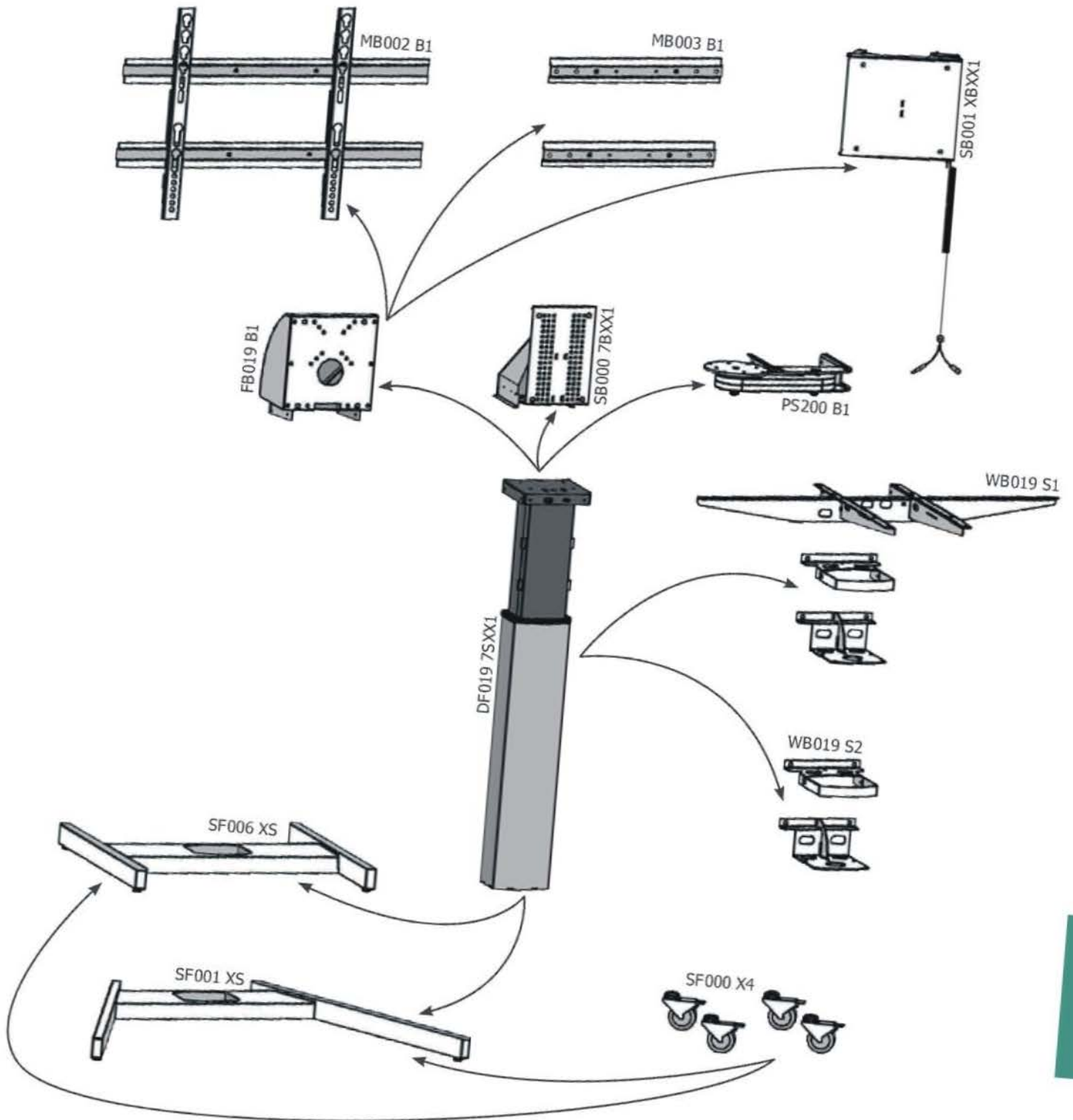
### Supplied with

- 1 Lift system
- 1 RF single operated radio remote

Item no.	Stroke	Min/Max Height Lid Lifter
EATS460B	460mm	645-1105mm

**Combination chart**

With the combination chart you have the possibility to see how to combine the different VENSET components with an electric column ( DF019 7S XX1 ).





**Product Details**


Product	EATS 460 B	EATS 700 A	EATS750A	EATS1000 A	DF0197SXX1
Min / Max. height (lid lifter excluded)	645 / 1105 mm	600 / 1300 mm	865 / 1465 mm	750 / 1750 mm	660 / 1180 mm
Max. stroke	460 mm	700 mm			520 mm
Adjustable stroke	No	Yes	No	Yes	Optional R 121660 (for max height adjustment only)
Max load	0 - 50 kg 29kg (mounted upside own)	65kg (standard installations) 29kg (mounted upsidedown) 100 kg peak load	65 kg (standard installation) 29 kg (mounted upside down) 100 kg peak load	65 kg (standard installation) 29 kg (mounted upside down) 100 kg peak load	10 - 100 kg
Colour	Silver	Black	Black	Black	Silver and Black
Reverse function	No	Yes	No	Yes	No
Input power	110 - 240 VAC / 50 - 60 Hz	110 - 240 VAC / 50 - 60 Hz			110 - 240 VAC / 50 - 60 Hz
AC plug	EU / UK / US / NZ / AUS	EU / UK / US / NZ / AUS			
Manual control switch	Yes	Yes	Yes	Yes	Yes
RF remote system	Yes	Yes	Yes	Yes	Optional R 131780
IR remote system	Optional R 112210	Optional R 119090	Optional R 112210	Optional R 119090	Optional R 131790
Lid lifter	No	Yes	Yes	Yes	
TV mounting brackets	Optional MB 460	Yes	Yes	Yes	
VESA	200 x 200 * 200 x 100 * 100 x 100 * 75 x 75 * 50 x 50 *	400 x 400 400 x 300 400 x 200 400 x 100 300 x 300 200 x 200 200 x 100 100 x 100	600 x 400 600 x 200 600 x 100 400 x 400 400 x 300 400 x 200 400 x 100 300 x 300 200 x 200 200 x 100	600 x 400 600 x 200 600 x 100 400 x 400 400 x 300 400 x 200 400 x 100 300 x 300 200 x 200 200 x 100	



- Universal hook suitable for hook and hanging rail, Rated load is +\_50 kg/pc
- Adjust function: the height adjustment is +\_7mm, Depth adjustment up to +\_15mm
- The adjustment of the hook to the surface is +\_3mm

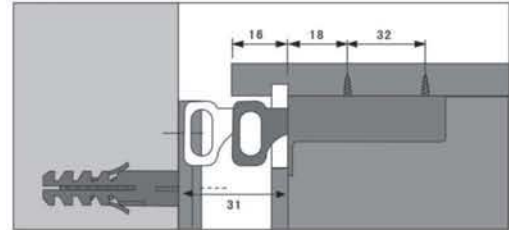
"The shape of the hook is closed to prevent the cabinet from sliding."



**Finish: Black**

Item no.

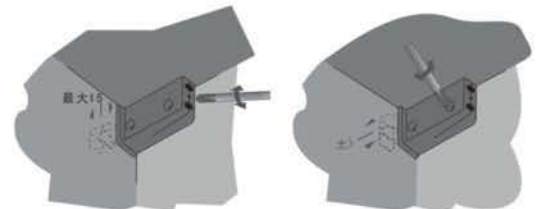
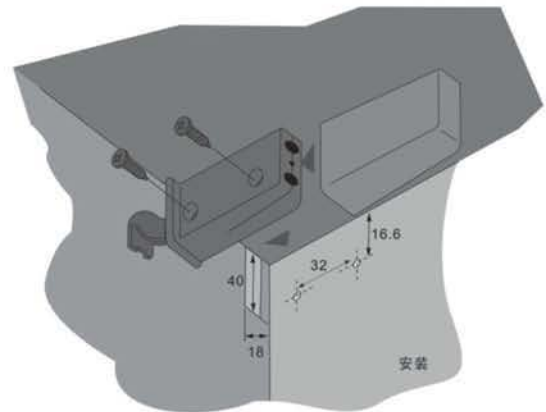
- EAOF003 : 10 x (12-22)mm



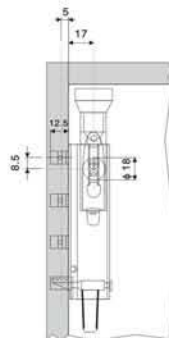
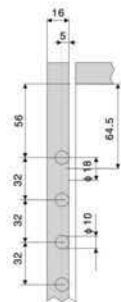
**Finish: White**

Item no.

- EAOF004 : 10 x (12-22)mm

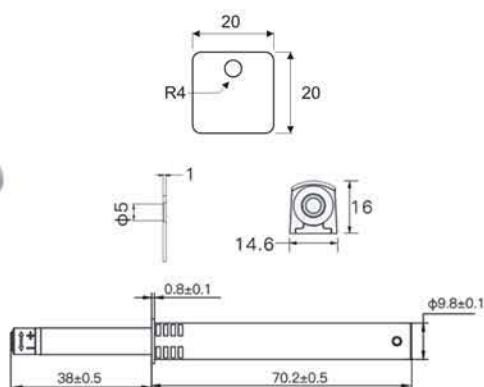


**Concealed Cabinet Hanging  
EAOF007**

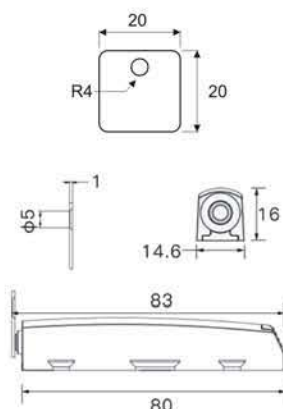


**Features**

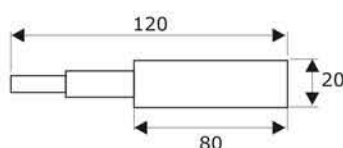
- Mounted on the back board for hanging rails and hooks
- The rated load is 80kg/pc
- Thickness of the black plate from 16mm, the depth or regulation 25mm
- The height of the regulating function is 9mm

**Rebound Push Open - Recessed**
**EAK0102/R - Rubber**  
**EAK0102/M - Magnet**

**Specification:**

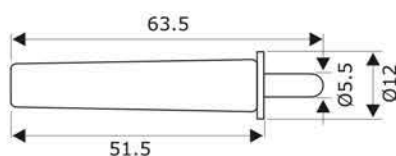
- Magnetic force: 4300Gs
- Rebound force: 25N
- Working distance: 38mm
- European standards durability tested: 60,000 cycles
- Material: Plastic
- Finish: Light grey, Dark grey

**Rebound Push Open - Surface**
**EAK0103/R - Rubber**  
**EAK0103/M - Magnet**

**Specification:**

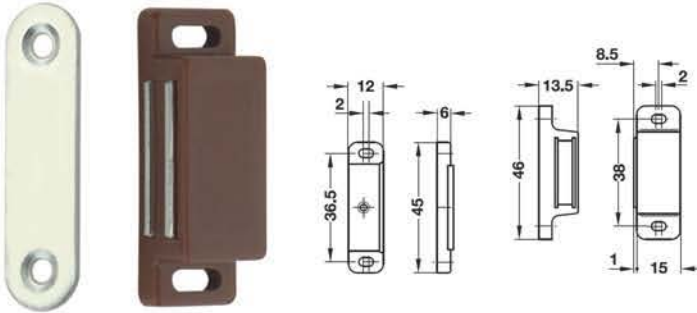
- Magnetic force: 4300Gs
- Rebound force: 25N
- Working distance: 38mm
- European standards durability tested: 60,000 cycles
- Material: Plastic
- Finish: Light grey, Dark grey

**Push to Open**  
**EAY393**

**Specification:**

- Material: Plastic
- Finish: Steel
- Installation: Inserting into adapter housing

**Self Closing Mechanism**  
**EAK0108**

**Specification:**

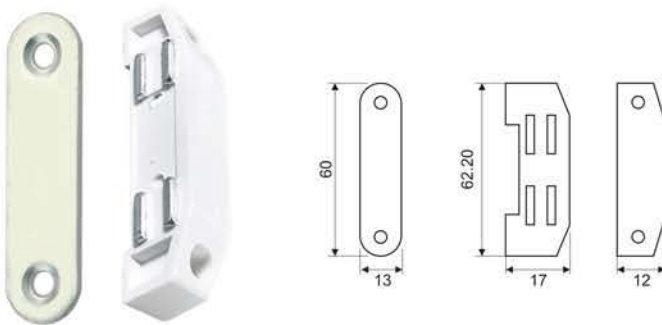
- Material: Plastic
- Finish: Grey
- Installation: Inserting into adapter housing

**EACL3110**


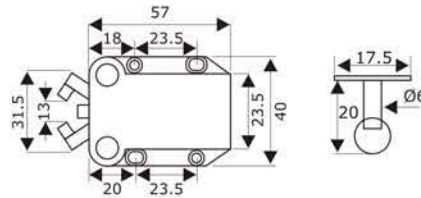
- Material Housing and counterpiece: Plastic
- Version: Movable housing and counterpiece
- Adjustment facility: With slots in housing and counterpiece
- Installation: Housing and counterpiece for screw fixing

**Finish: Brown**

Item no.	Pull kg
● EACL3110	5

**EACL3081**

**Finish: White**

Item no.	Pull kg
● EACL3081	10

**Spring Catch  
EAK0106**

**Specification:**

- Material: Polyamide
- Color: White
- Functionality: Push to door release Tip-on opening

**EAKO309**

Magnetic Pressure Catch for Double Glass door pull 2.5kg


**EAKO311**

Magnetic Pressure Catch for Single Glass door pull 2.5kg



- Material: Plastic
- Color: Black
- Installation: Screw fixing

**EAN0101**

Material: Steel



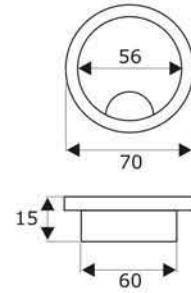
Finish: SSS

**EAN0102**

Material: Aluminium



Finish: Chrome


 Material: Plastic  
 Finish: Black

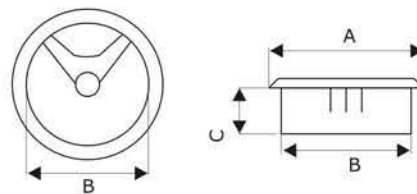
Item no.	Size mm		
	A	B	C
<b>EAN0107</b>	78	60	16
<b>EAN0112</b>	98	80	22

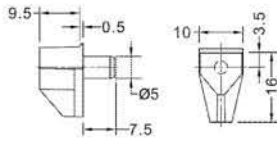
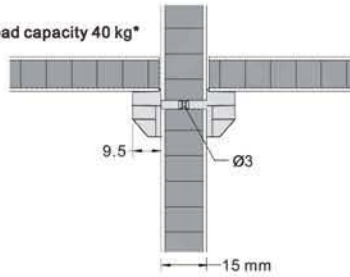

 Material: Plastic  
 Finish: Grey

Item no.	Size mm		
	A	B	C
<b>EAN0108</b>	78	60	16
<b>EAN0110</b>	98	80	22


 Material: Plastic  
 Finish: White

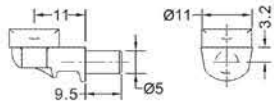
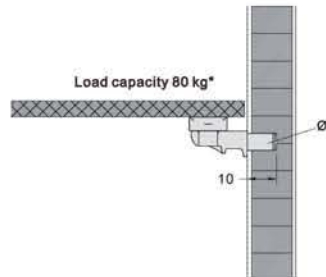
Item no.	Size mm		
	A	B	C
<b>EAN0109</b>	78	60	16
<b>EAN0111</b>	98	80	22



**Shelf support**

**Load capacity 40 kg\***

**Finish: Transparent**

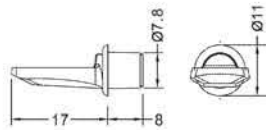
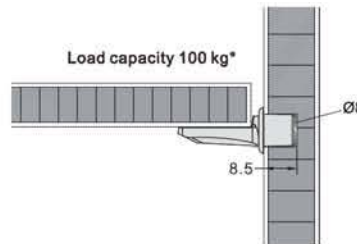
Item no.

- EAYZ-584

**Shelf support**

**Load capacity 80 kg\***

**Finish: Nickle**

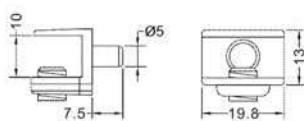
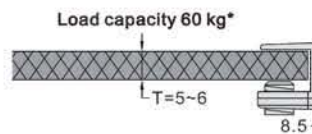
Item no.

- EAL-003

**Shelf support**

**Load capacity 100 kg\***

**Finish: Nickle**

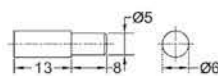
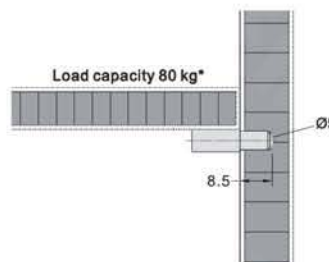
Item no.

- EAA-7

**Shelf support**

**Load capacity 60 kg\***

**Finish: Nickle**

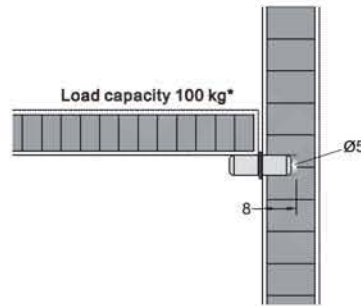
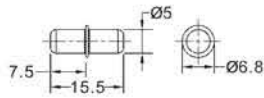
Item no.

- EAL-008

**Shelf support**

**Load capacity 80 kg\***

**Finish: Nickle**

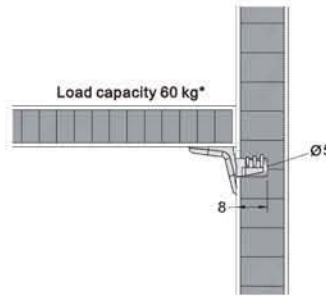
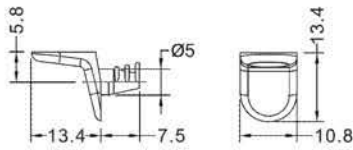
Item no.

- EAL00117

**Shelf support**

**Finish: Nickel**

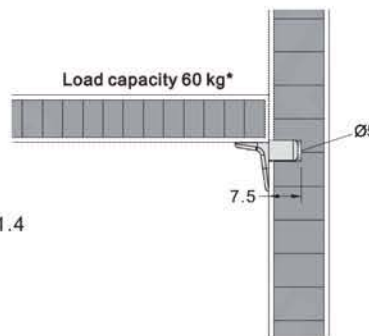
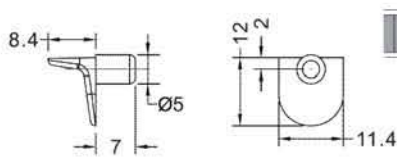
Item no.

- EAA-6

**Shelf support**

**Finish: Nickel**

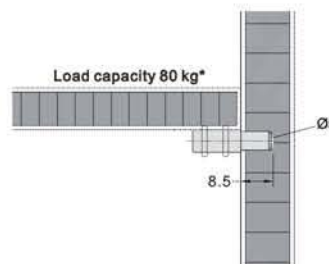
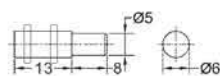
Item no.

- EAL-00113

**Shelf support**

**Finish: Nickel**

Item no.

- EAA-8

**Shelf support**

**Finish: Nickel**

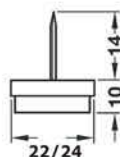
Item no.

- EAL008

**Glide**

With Intermediate rubber layer

Height 10 mm



- Area of application: For smooth floors, for stone floors, PVC floors
- Material: Felt glide, glued to plastic body

**Finish: Brown**

Item no.      Diameter D mm

- EAGL-1100      22
- EAGL-1101      24



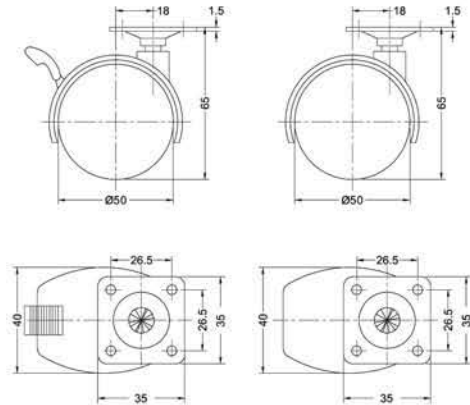


**Tandema-mini twin wheel**

**Finish: Black**

Item no.	Size	Description
● EASLW1.50	50mm	With brake
● EALW1.50	50mm	Without brake

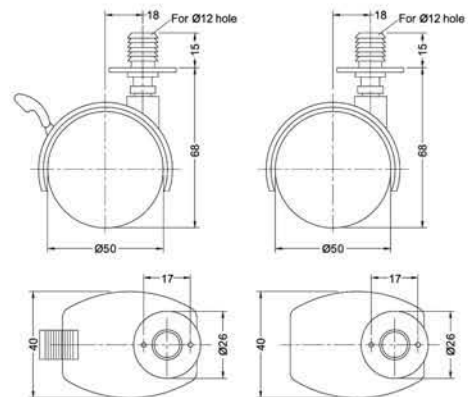
- Loading capacity: 45kg/pcs
- Thickness to wheel surface: 10mm
- Material: Nylon plastic


**Bolt with sleeve tandem-mini twin wheel**

**Finish: Black**

Item no.	Size	Description
● EASLW5.50	50mm	With brake
● EALW5.50	50mm	Without brake

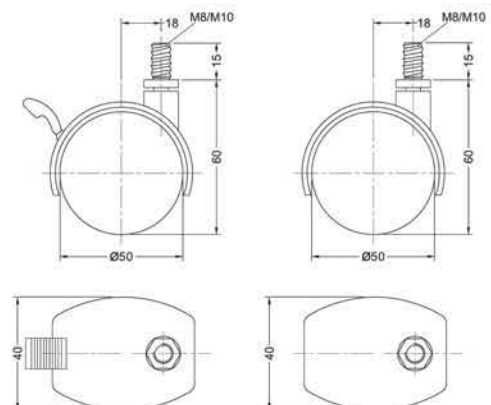
- Loading capacity: 45kg/pcs
- Thickness to wheel surface: 10mm
- Material: Nylon plastic


**Threaded bolt tandem-mini twin wheel**

**Finish: Black**

Item no.	Size	Description
● EASLW9.50	50mm	With brake
● EALW9.50	50mm	Without brake

- Loading capacity: 45kg/pcs
- Thickness to wheel surface: 10mm
- Material: Nylon plastic



# NOTES

**Sales Office**

Euro Art (UK) LTD.  
69 Staverton Road, London  
NW2 5HA

**Warehouse**

Unit 1, York House  
Fort Street  
Blackburn, BB1 5DP  
United Kingdom

T.: +44 1254 433883  
M.: +44 787 565 1180  
E.: [uk@euro-art.co.uk](mailto:uk@euro-art.co.uk)

**Middle East, Asia & Africa**

Euro Art (Middle East) FZCO  
Warehouse ZE4  
Jebel Ali Free Zone  
Dubai, UAE

T.: +971 4 888 6345  
M.: +971 50 297 9761  
E.: [me@euro-art.co.uk](mailto:me@euro-art.co.uk)

**Design Centers**

Dubai: Airport Road  
T.: +971 4 295 1105  
M.: +971 54 990 7059  
E.: [me@euro-art.co.uk](mailto:me@euro-art.co.uk)

Abu Dhabi: Najda Street  
T.: +971 2 564 7111  
M.: +971 50 209 9786  
E.: [ad@euro-art.co.uk](mailto:ad@euro-art.co.uk)

Doha: Barwa Village  
T.: +974 4 490 7530  
M.: +974 7 733 5728  
E.: [qatar@euro-art.co.uk](mailto:qatar@euro-art.co.uk)

[www.euro-art.co.uk](http://www.euro-art.co.uk)