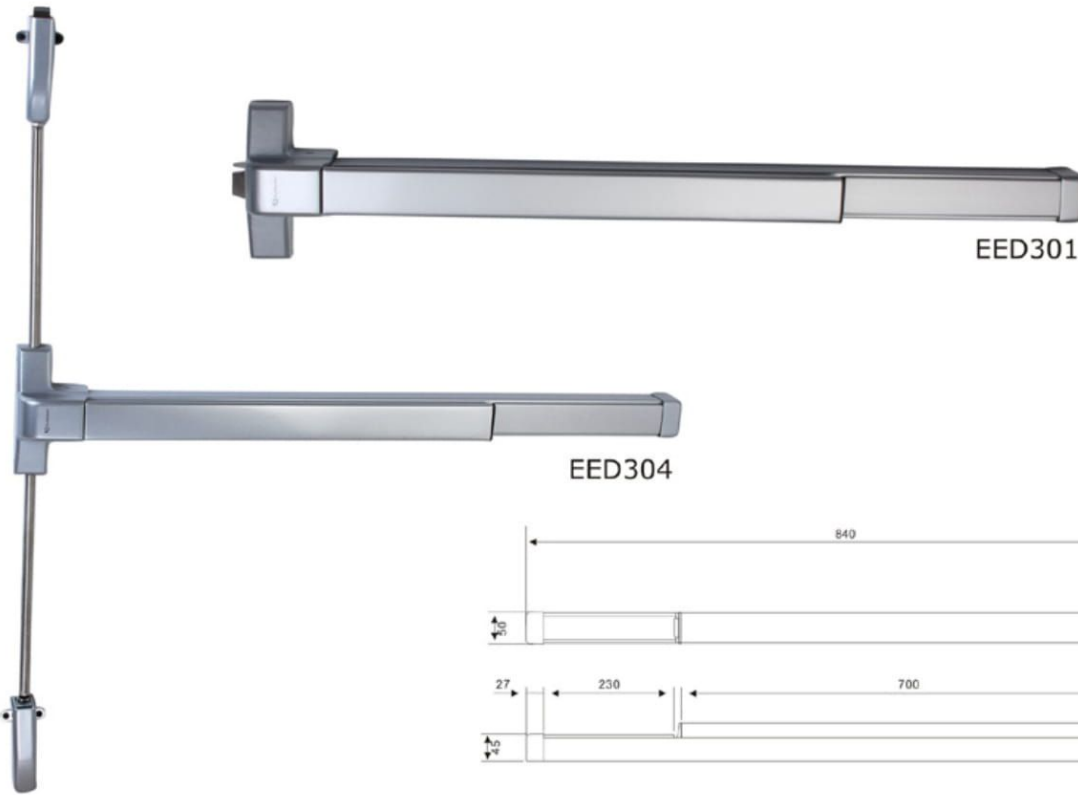
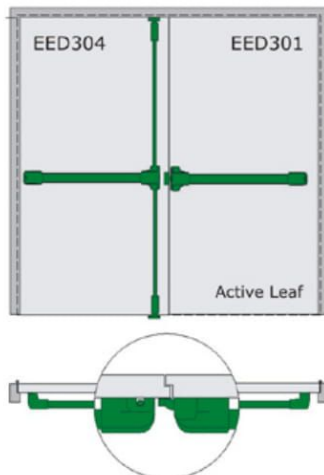
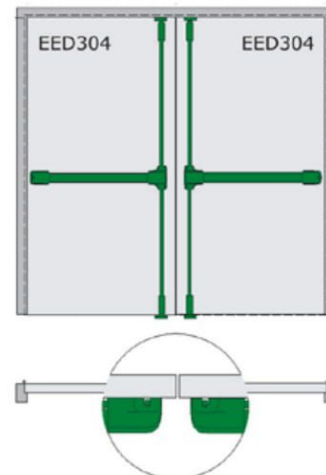


EED300 SERIES

Finish: Silver, Gold, SSS, PSS, PVD, AB
Double Door Configurations

Rebated Doors



Non Rebated Doors


Features

- Available in painted steel and SS grade304
- Optional hold-back available enabling the door to be put into free access
- Fire rated for use on timber and steel doors
- Top rods available for doors upto 3000mm high

Product specification

- Suitable for doors upto 1320mm wide and 2133mm height
- Door weight upto 200kg
- Non handed, suitable with out alteration for left or right hand applications