

## Stainless Steel Cutlery Set

### Features:

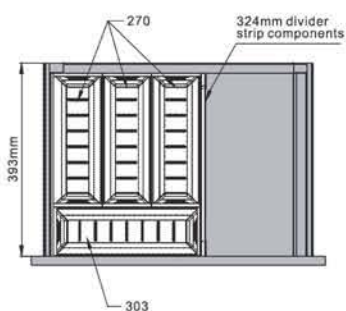
- An effective way to store and separate your cutlery
- Manufactured from high quality stainless steel Grade 304
- Totally modular to fit in any drawer systems
- Hygienic, can be easily removed for cleaning



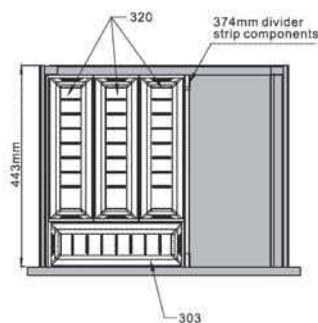
Stainless steel divider box		
Description	Length	Stainless steel divider box
	270mm	CUT3301C1-270/SS
	303mm	CUT3301C1-303/SS
	320mm	CUT3301C1-320/SS

Aluminium Divider Components		
Description	Length	Aluminium Divider Components
	374mm	DIV3103C1-374/DG
	424mm	DIV3103C1-424/DG
	474mm	DIV3103C1-474/DG

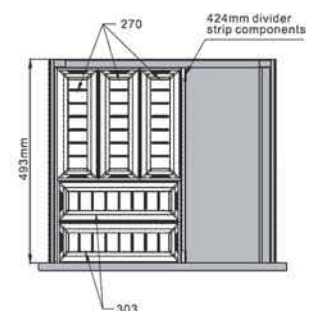
### Assembly solution for L 400mm



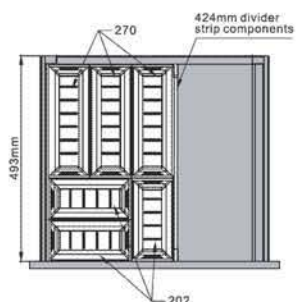
### Assembly solution for L 450mm



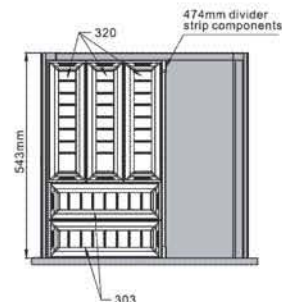
### Assembly solution I for L 500mm



### Assembly solution II for L 500mm



### Assembly solution I for L 550mm



### Assembly solution II for L 550mm

