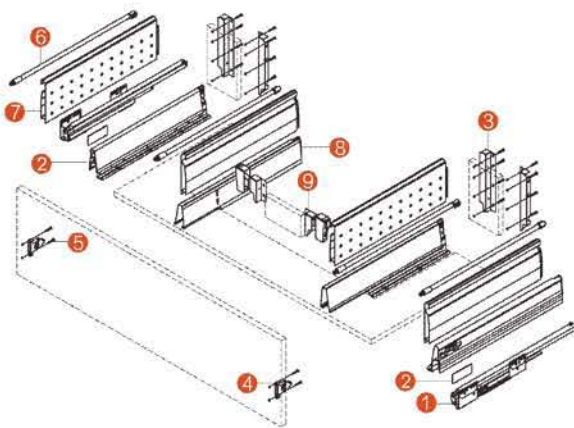
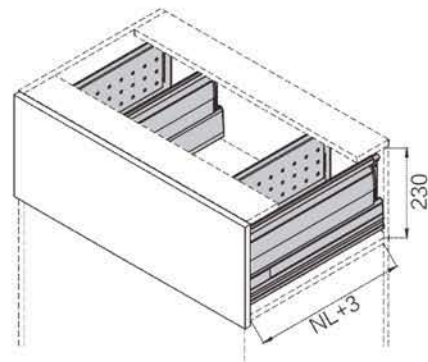



Features:

- Concealed, full extension, synchronized slides
- Light opening and soft closing for smooth sliding
- Quick installation and easy dismantling
- Integrated 2D/3D Front Panel Adjustment
- Dynamic loading capacity: 35kg

Consisting Items:

1. Drawer runners - Left / Right
2. Drawer side profiles
3. Back fixing brackets -Left / Right
4. Front fixing brackets - Left / Right
5. Screws
6. Rails - Left / Right
7. Double wall metal box - Left / Right
8. Drawer Slides
9. Connecting Fittings

The Basic components

Space Requirement


Nominal Length NL	Soft close drawer item no.	Set/Pair
450mm	SINK-45	1
500mm	SINK-50	1
550mm	SINK-55	1

Color: Silver Grey, White, Stainless Steel