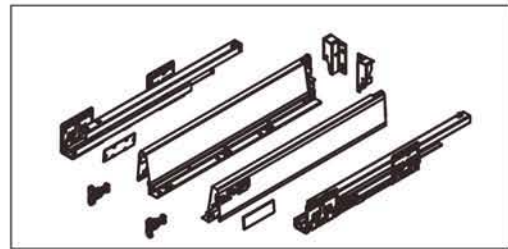
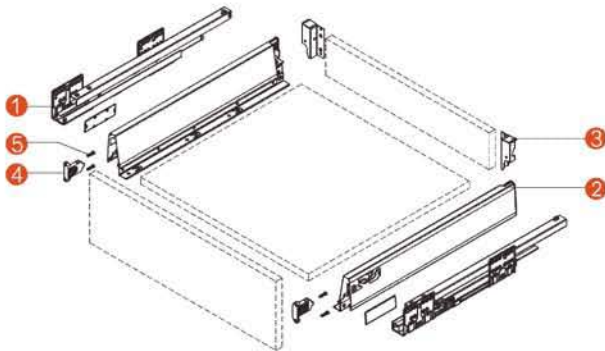
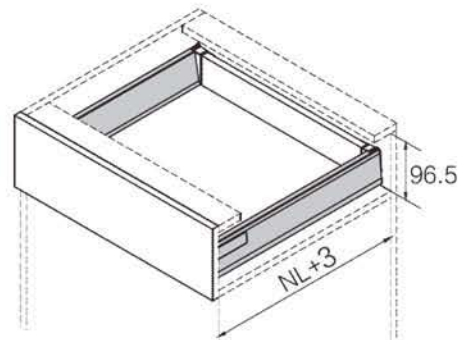



Features:

- Concealed, full extension, synchronized slides
- Light opening and soft closing for smooth sliding
- Quick installation and easy dismantling
- Integrated 3D front panel adjustment
- Dynamic loading capacity: 35kg

Consisting Items:

1. Drawer runners - Left / Right
2. Drawer side profiles
3. Back fixing brackets -Left / Right
4. Front fixing brackets - Left / Right
5. Screws

Kit Package

The Basic components

Space Requirement


Nominal Length NL	Soft close drawer item no.	Set/Pair
270mm	TBG5427	1
300mm	TBG5430	1
350mm	TBG5435	1
400mm	TBG5440	1
450mm	TBG5445	1
500mm	TBG5450	1
550mm	TBG5455	1

Color: Silver, White, Dark Grey, Stainless Steel