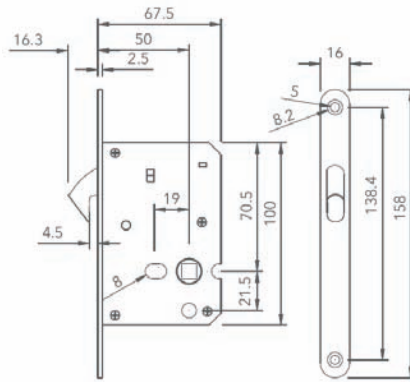
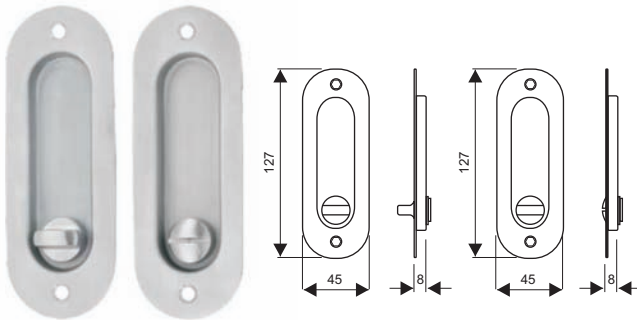
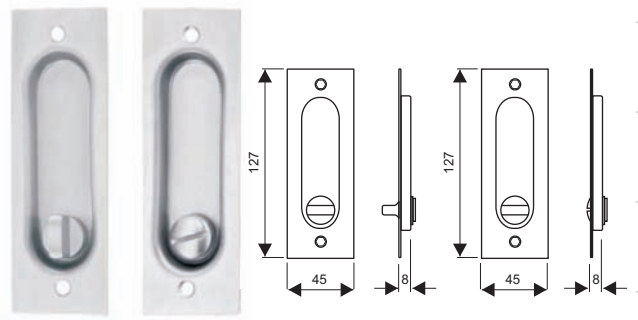
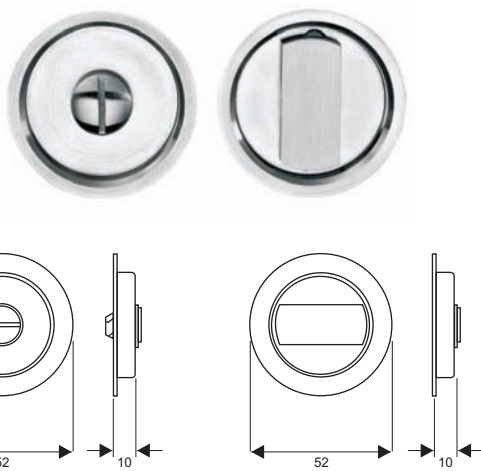
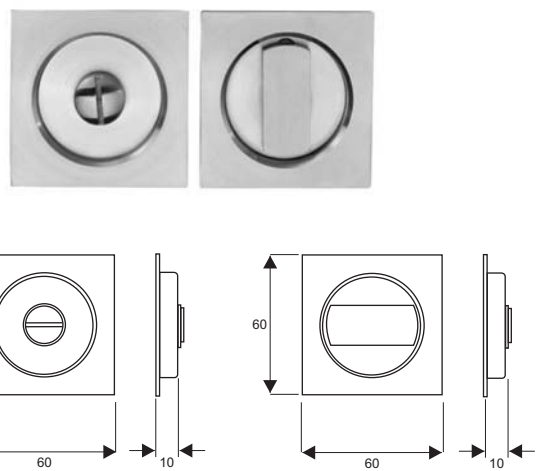


HL0050WC : 50mm backset

Features

- 50mm backset
- Supplied with Door Edge Pull
- Various designs of flush pulls with turn and release available

KIT - 1

KIT - 2

KIT - 3

KIT - 4

Finish: SSS, PSS, SB, MAB, MBL