

Satellite 15 Hanging Sliding Roller



Features:

- Collision damper function.
- Hook automated hanging design, Auto-rest while unlock.
- Seismic mitigation design: Adopt imported customized modified engineering plastic, reduce door panel bounce efficiently.
- High precision grade roller, stable, smooth and quite sliding.
- Easy installation and removal.
- 120kg. sliding fitting with double side soft close.

Technical Points:

- Application: single and double wood sliding door, glass sliding door, Aluminium door.
- Adjustment Performance: Door panel installation height is adjustable.
- Door weight: Single Door < 120kgs.


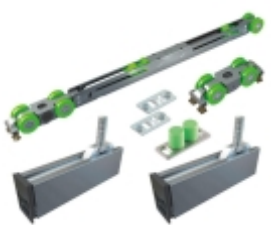
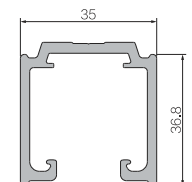
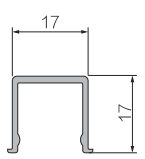
 Max. 120

Photo	Code	Fitting Description
	CG12224C	Satellite 15 Sliding Door Kit for doors upto 120 kg. (with double soft close)
	XNA094	3 meter aluminium track to suit Satellite 15
	XNA003	1.5 meter bottom track for satellite 15
	TN082A	Ceiling track fixing bracket

