



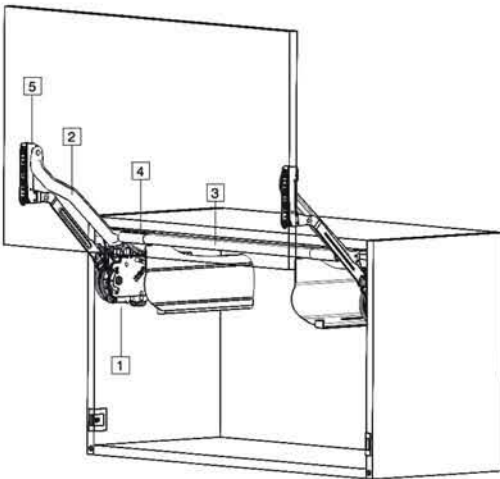
## Manual Parallel Lift

### Features:

- Easy installation and adjustment
- 3D door adjustment
- Moment of force is adjustable according to door weight
- Cabinet height ranges from 450mm to 580mm
- Cabinet width ranges from 400mm to 1200mm
- Minimum interior cabinet depth: 300mm
- Anti-pinch function stop close when the door meet strong resistance

### Consisting items:

1. Door weight and balanced mechanism
2. Swing arm
3. Oval stabilizer rod
4. Oval stabilizer rod connecter
5. Arm assembly mounting plate



Power Factor	Item no.	Loading Capicity	Set/Pair
1500 - 3000N	EAFE01-H-A	3-6 kg	1
2500 - 5000N	EAFE01-H-B	5-9 kg	1