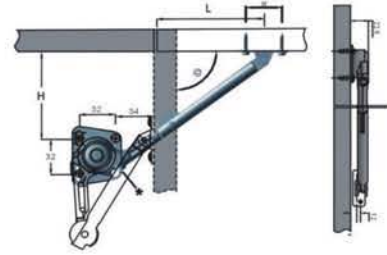


EAYA101



@	H	L
75°	80	116
90°	80	96
110°	80	86

Installation illustration



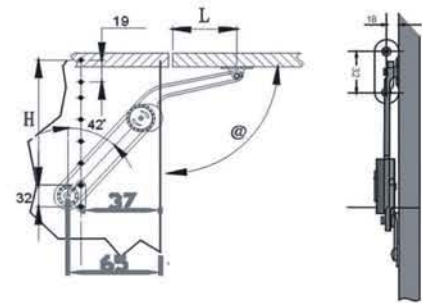
Finish: Nickel Plated

EASB005



@	H	L
75°	205	198
90°	180	176
110°	180	128

Installation illustration



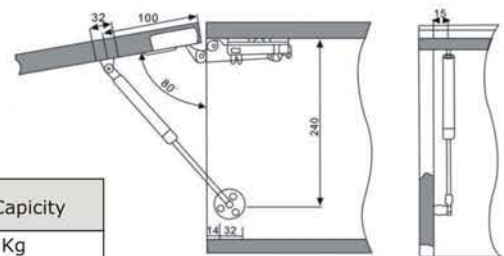
Finish: Nickel Plated

Flap Stay & Gas Lift



Item no.	Spring Force	Loading Capacity
EASB006-100N	100	4-6 Kg
EASB006-120N	120	4-6 Kg
EASB006-150N	150	4-6 Kg

Installation illustration

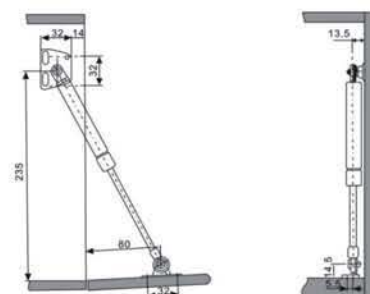


Finish: Nickel Plated

EASB007



Installation illustration



Finish: Nickel Plated