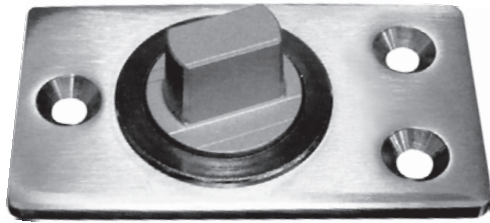



**1000/25F**

**2000/4F**

**Finish: SSS**

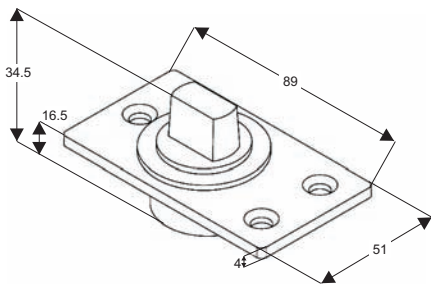
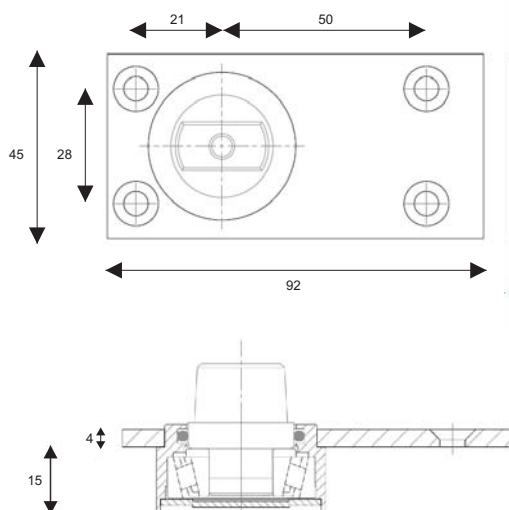
The EuroArt floor pivot uses the same class leading bearing technology as the floor spring and is used in applications where there is no requirement for closing a door, and using hinges is difficult because the door is heavy or a double action is required.

The 2000/4F can carry a door up to 400kg whilst having a very small footprint, and only has a recess below the floor surface of 15mm.

The 1000/25F can carry a door upto 250kg with a recess below the floor surface of 16.5mm.

The range is compatible with all EuroArt floor spring strap systems and top centres, which must be ordered separately, if required.

Different height spindle extensions between 5mm and 50mm are available, but these must be ordered with the pivot as they cannot be changed on site.

**1000/25F**

**2000/4F**


Ref.		1000/25F	2000/4F
Closing Force	EN Size	N/A	N/A
Door Size	Width (mm)	1400	1800
	Weight (kg)	250	400
Mechanism	Rack & Pinion	✗	✗
	Cam & Roller	✗	✗
Angle of Opening		N/A	N/A
Non Handed		✓	✓
Power Adjustment	By Spring	✗	✗
	By Template	✗	✗
Action Availability	Single	✓	✓
	Double	✓	✓
Adjustable Sweep Speed		✗	✗
Adjustable Latching Speed		✗	✗
Adjustable Backcheck		✗	✗
Adjustable Delay Action		✗	✗
Hold Open		✗	✗
Guarantee		10 yrs	10 yrs
<b>OPTIONS</b>			
Single Action Accessories		✓	✓
Double Action Accessoried		✓	✓
Spindle Extention		✓	✓