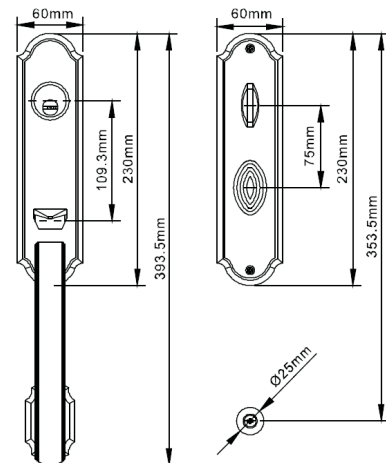


**F8101**

Styles that harken back to the early 20th century with the look and feel of artisan craftsmanship


**Features**

- Material : Solid zinc alloy die casting
- Supplied as complete set with lock and keys
- Lock Backset : 60mm
- Lock Body : ANSI SS Mortice Lock
- Supplied with 6 brass keys  
(1 construction + 5 owner's keys)
- Standard door thickness: 40 - 60mm
- Available in dummy and passage function

**Finish: Gold, SB, MAB, MSN, MBL**
