

- Universal hook suitable for hook and hanging rail, Rated load is +\_50 kg/pc
- Adjust function: the height adjustment is +\_7mm, Depth adjustment up to +\_15mm
- The adjustment of the hook to the surface is +\_3mm

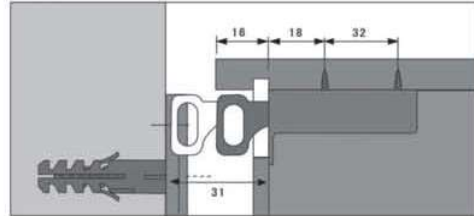
"The shape of the hook is closed to prevent the cabinet from sliding."



**Finish: Black**

Item no.

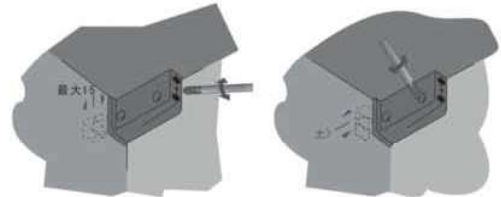
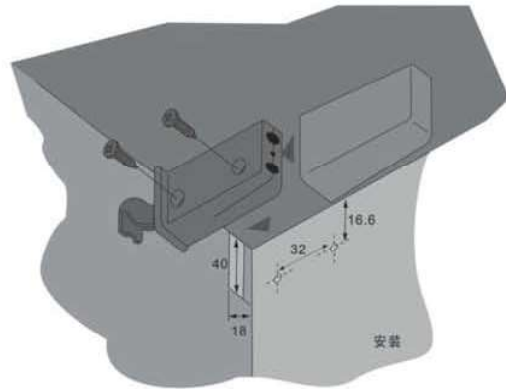
- EAOF003 : 10 x (12-22)mm



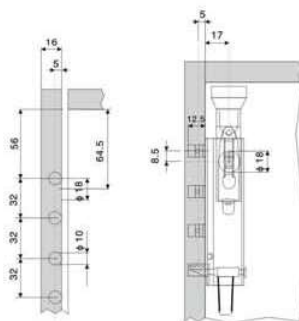
**Finish: White**

Item no.

- EAOF004 : 10 x (12-22)mm



### Concealed Cabinet Hanging EAOF007



#### Features

- Mounted on the back board for hanging rails and hooks
- The rated load is 80kg/pc
- Thickness of the black plate from 16mm, the depth or regulation 25mm
- The height of the regulating function is 9mm