




Where Innovation Meets illumination.



LED

Lighting Solution

For Commercial & Residential



Introduction

Welcome to EuroArt's LED Lights Catalog, where innovation meets illumination in every corner! We are delighted to present to you a comprehensive range of LED lighting solutions that cater to diverse needs and preferences.

In this catalog, we proudly showcase an array of LED strip lights, COB lights, Neon lights, cabinet lights, show lights, LED Profiles, drivers, and a variety of sensors. Each product is meticulously designed and crafted to deliver exceptional performance, energy efficiency, and aesthetic appeal.

Whether you're looking to add a touch of elegance to your home with our versatile LED strip lights, illuminate commercial spaces with powerful COB lights, create captivating visuals with Neon lights, enhance functionality with cabinet lights, or elevate the ambiance of your events with our show lights, EuroArt has you covered.

Our LED lights are not only visually stunning but also eco-friendly, ensuring that you can enjoy brilliant lighting while contributing to a sustainable future. With our range of drivers and sensors, you can customize and optimize your lighting experience according to your preferences and needs.

Discover the power of LED technology as we present a curated collection of fixtures, bulbs, strips, and accessories tailored to meet your residential, commercial, and industrial lighting needs. Whether you're looking to create a cozy atmosphere in your home, enhance productivity in your workspace, or illuminate outdoor areas for safety and security, EuroArt has the perfect LED lighting solutions for you.

Join us on a journey through our catalog, where each page unveils the artistry and functionality of EuroArt LED lights. Experience the brilliance, durability, and eco-friendliness of LED technology as we redefine the way you light up your world

Or visit our website www.euro-art.co.uk



One Stop Solution!

EuroArt brings to the table a comprehensive range of door hardware for metal, wood and glass doors together with fittings for wardrobe, kitchen and lighting solutions. We offer the following three product lines to create the One-Stop Solution for all your door hardware & furniture fitting requirements:



ARCHITECTURAL HARDWARE

- Lever Handles & Knobs
- Locks & Latches
- Hinges
- Panic Hardware
- Accessories
- Intumescent Seals
- Pull Handles
- Cylinders
- Door Closers
- Electro-mechanical Products
- Sliding & Folding Door Gear

FURNITURE FITTINGS

- Hinges & Flap Stay
- Cabinet Locking System
- Wardrobe Fittings
- Wardrobe Sliding System
- Furniture Handles & Knob
- Furniture Lighting
- Drawer System (Runners & Drawer Boxes)
- Kitchen Fittings & Accessories
- Pop-up Socket & TV Lift-up
- Furniture Accessories



GLASS HARDWARE

- Floor Spring with Cam Motion Technology
- Hydraulic Patches
- Patch Fittings
- Pull Handle
- Knobs & Towel Bars
- Sliding System
- Automatic Door Bottom
- Hydraulic Hinges
- Pivot System
- Lockset & Hinges
- Shower Hinges & Connectors
- Support Bars & Brackets
- Sealing Strips

DIGITAL ACCESS LOCKS

- Digital Residential Locks
- Electronic locker Locks
- High-end retail Showroom Security System
- Digital Glass Door Locks
- Digital Drawer Locks



Our commitment to environmental responsibility is reflected in every aspect of our LED lights product line.

Here are some key features of our eco-friendly LED lights:

Energy Efficiency: EuroArt LED lights are highly energy-efficient, consuming significantly less power compared to traditional lighting sources. This not only reduces electricity bills but also lowers carbon emissions, making them an environmentally conscious choice.

Longevity: Our LED lights are designed to last for tens of thousands of hours, providing long-term performance and reducing the frequency of replacements. This longevity minimizes waste and contributes to a more sustainable product lifecycle.

Mercury-Free: Unlike fluorescent lights, EuroArt LED lights do not contain mercury or other harmful substances. This makes them safer for both human health and the environment, ensuring responsible disposal at the end of their lifespan.

Low Heat Emission: LED lights emit very little heat compared to incandescent and halogen bulbs, reducing the strain on cooling systems and contributing to overall energy savings.

Recyclable Materials: We prioritize the use of recyclable materials in the manufacturing of our LED lights, promoting circular economy practices and reducing resource depletion.

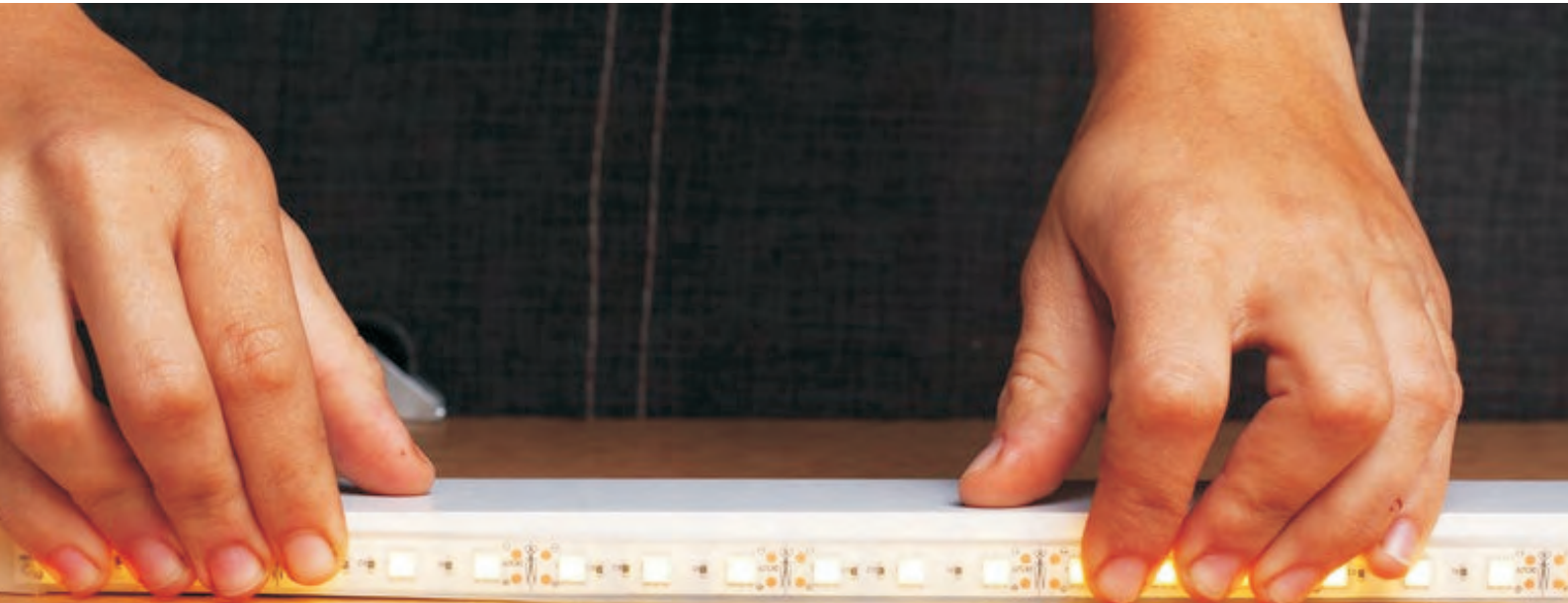
Smart Lighting Solutions: EuroArt offers smart lighting solutions that optimize energy usage based on occupancy, daylight levels, and user preferences. This intelligent control helps further reduce energy consumption and carbon footprint.

By choosing EuroArt's eco-friendly LED lights, you not only benefit from superior lighting performance but also contribute positively to environmental conservation efforts. Join us in creating a brighter, greener future with sustainable lighting solutions from EuroArt.



*Recycled content defined in accordance with industry standards.

**Pre-consumer recycled refers to waste material that is immediately placed back into the production cycle. Waste materials generated by the production of these products are collected and shipped off site where it then reenters the recycle stream.



High Quality and Tested Production

EuroArt's Product development team works on three fundamental principles – knowledge, tools, and systematic process for conceptualizing. We are striving constantly to push our boundaries forward. We try to control costs and improve quality by applying zero-defect and efficiency-focused techniques. We believe that the process of designing products is profoundly different from the process of making them. EuroArt learns from whole system to bring best quality fitting for its customers.

Training and Development

Training is a prime opportunity to expand the knowledge base of all employees. Training and development provide the individuals and organizations with different benefits such as improved employee performance and increased employee satisfaction and morale. It addresses the weaknesses of employees and the organization, increases productivity, brings innovation, reduces employee turnover, and enhances company efficiency and profile.

EuroArt gives utmost importance to staff training and continuous development at the workplace, enabling EuroArt staff who are qualified GAI, AHC and FDAI and FF&E experts to maintain their knowledge of industry standards and regulations.



THE ABC OF LIGHTING TECHNOLOGY.

LED's (Light Emitting Diodes) can vary the properties of the light that is generated, and generate almost the entire colour spectrum. Unlike normal light bulbs and halogen lamps, LED's generate little heat. They use less energy and have a long service life.

ADVANTAGES OF LED'S

Long lasting

LED lights have an extremely long service life of up to 25 years or more than 40,000 to 50,000 hours.

Robust

LED's have an extremely small and robust design. This makes handling easier during furniture construction and transport.

Low heat generation

Because of their extremely low power consumption, LED lights generate hardly any heat. This means that LED lighting systems are particularly suitable for displays and furniture.

Energy-saving

LED lights use an impressive 90 percent less power than conventional light bulbs! This means that they can be used to implement modern lighting scenarios in furniture, and still be in line with the energy saving trend.

Powerful

Modern LED lights are bright and have a saturated light colour. They achieve full brightness instantly when they are switched on. LED furniture lighting therefore has a lasting effect at the push of a button.

Rich in variants

LED lights are available in different colours, and can be designed as colour changing lights. This allows the light colour to be coordinated with furniture contents such as exhibits in the best possible way.

LED technology

Drivers
12V

Spoiled for choice in the 12 V system

The LED lights are voltage-controlled and connected in parallel in the 12 V system. The plugs on the driver can be freely allocated. 12 V lights are the most widespread at present.

Drivers
24V

Powerful 24 V system

Technically speaking, the 24 V system is identical to the 12 V system, but has a considerably higher power level. 24 V lights can therefore be used when extremely bright lights are required.

Drivers
350mA

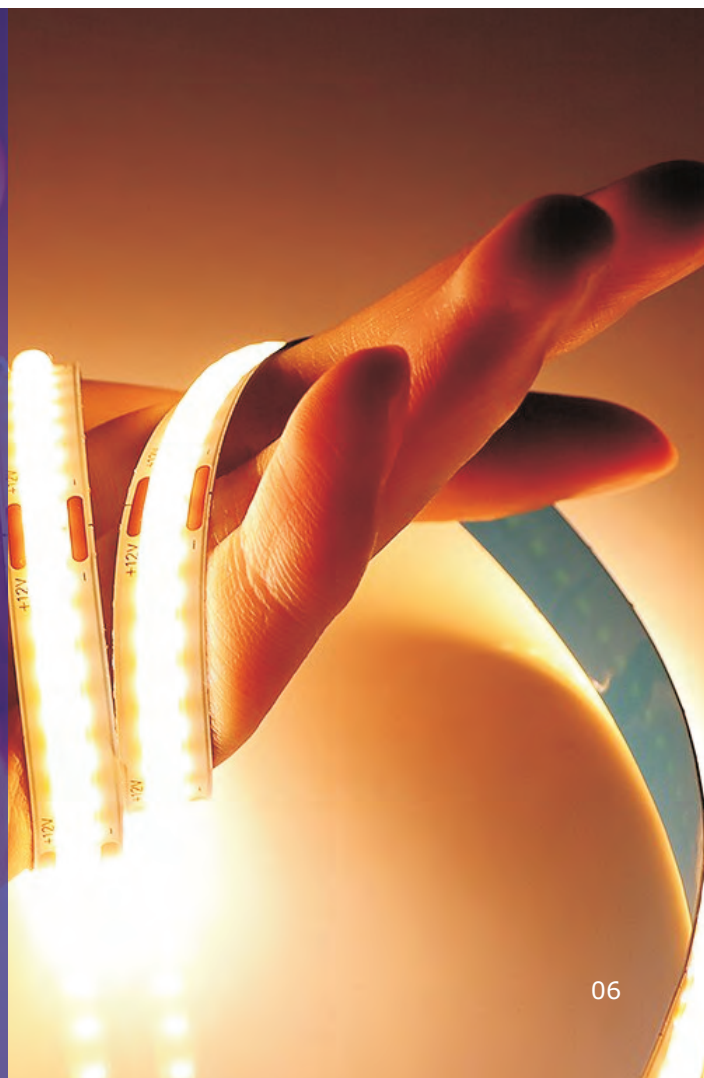
Spotlights in the 350 mA system

The LED lights in the 350 mA system are current-controlled and connected in series. This means that each plug has to be either occupied or bypassed. 350 mA lights provide extremely high light power and are particularly suitable for spotlighting.

Drivers
700mA

Spotlights in the 700 mA system

700 mA system is the same as 350 mA system. The LED lights in the 700 mA system are current controlled and connected in series. Hence in the same way the plugs are to be preoccupied or bypassed. The 700 mA lights are high powered and suitable for spot lighting.



Polycarbonate Diffuser _____

Aluminium Profile _____

LED Strip Light _____

SYMBOLS AND TERMS



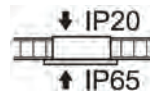
Technical Control Board



Water Tolerant

RoHS

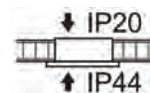
Restriction of Hazardous Substances



IP65 after installation



Electrical Testing Labs (CAN/USA)



IP44 after installation



Furniture installation symbol



European Safety Standard



Suitable for directly mounting to standard inflammable surfaces

IP20

Only for use in dry locations



Motion detector

IP44

Protected against solid foreign objects Ø1 mm and larger and splash water



Dimmable

IP65

Protected from water jets by a nozzle 6.3 mm (1/4") from any angle



Do not use components that impede thermal radiation

IP67

Protected for the under water



Lights to be used indoors only. Not to be used outdoors!



Protection class 3

What's Inside

LED Strip Lights

PAGE

09-21

Cabinet Down Light

PAGE

22-32

Decorative Lights

PAGE

33-38

Aluminium Profile
Lights

PAGE

39-55

Sensor & Drivers

PAGE

56-62

Intelligent Drivers

PAGE

63-68

Popup Socket

PAGE

69-70



LED FLEXIBLE
STRIP LIGHT

EAFS25-60



Domestic Use



Flexible



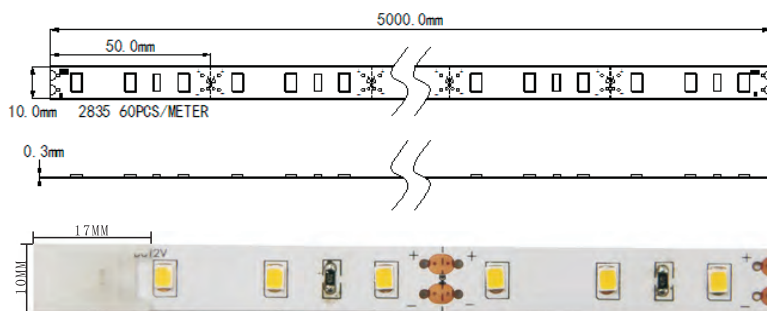
IP Rating available
20/44/67



Convenience
assemble



Cutting available



Features

- SMD 2835 300/ 600PCS / roll (5000x10x 0.3mm).
- DC 12/24V input, 0.2W/PC 2835 chip 3-LED cuttable for DC12V, 6-LED cuttable for 24V.
- Easy to install with 3M adhesive on back.
- Dimmer & Driver can be matched.
- Operating temperature :- 20°C+45°C.
- Long operation life : 50,000 hrs.
- Durable structure & stable performance.
- ETL/CE/ROHS compatible.
- Easy and seamless connect each section with exclusive clip, match well with narrow aluminium profile.

Applications :

Architectural decorative lighting / Stairway lighting & decoration / Shop-window decoration / Indoor decoration / Emergency & security / Walkway lighting.

Specification:

Item Code	Color	Watts/M	LEDs/M	L(mm)
EAFS25-60 (3000k)	Warm	9.6 W/m	60	500/5000
EAFS25-60 (4000k)	Cool/Wht	9.6 W/m	60	500/5000
EAFS25-60 (6000k)	Day Light	9.6 W/m	60	500/5000

Accessory:

Product Name	Item No	Photo
LED Lead Cable	EACC29	
Connector	EACC30	

EAFS27-120



Domestic Use



Flexible



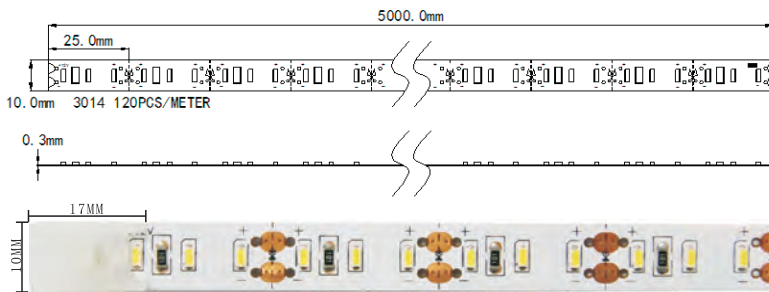
IP Rating available
20/44/67



Convenience
assemble



Cutting available



Features

- SMD 2835 300/ 600PCS / roll (5000x10x 0.3mm).
- DC 12/24V input, 0.2W/PC 2835 chip 3-LED cuttable for DC12V, 6-LED cuttable for 24V.
- Easy to install with 3M adhesive on back.
- Dimmer & Driver can be matched.
- Operating temperature :- 20°C+45°C.
- Long operation life : 50,000 hrs.
- Durable structure & stable performance.
- ETL/CE/ROHS compatible.
- Easy and seamless connect each section with exclusive clip, match well with narrow aluminium profile.

Applications :

Architectural decorative lighting / Stairway lighting & decoration / Shop-window decoration / Indoor decoration / Emergency & security / Walkway lighting.

Specification:

Item Code	Color	Watts/M	LEDs/M	L(mm)
EAFS27-120 (3000k)	Warm	12 W/m	120	500/5000
EAFS27-120 (4000k)	Cool/Wht	12 W/m	120	500/5000
EAFS27-120 (6000k)	Day Light	12 W/m	120	500/5000

Accessory:

Product Name	Item No	Photo
LED Lead Cable	EACC29	
Connector	EACC30	

EAFS17



Domestic Use



Flexible



IP Rating available
20/44/67



Convenience
assemble



Cutting available



Features:

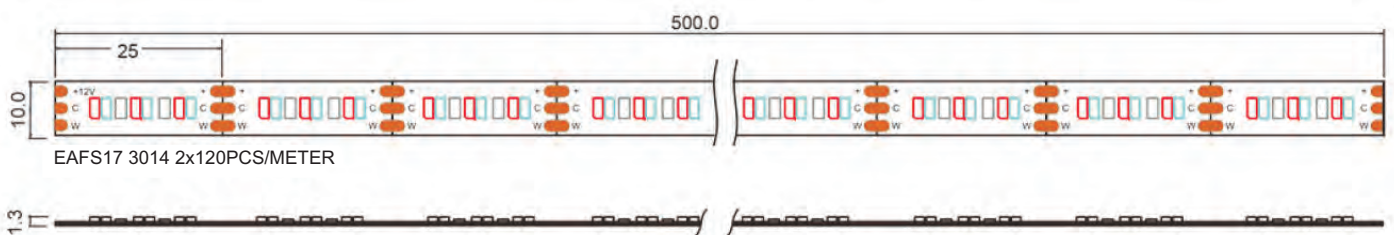
- High lumen, high CRI and good color consistency.
- Better flexibility rolled copper foil for FPC.
- Can load more current with thicker FPC.
- Applicable to EuroArt plug, can easily be cut and installed.

Application:

- Designed for kitchen, living room, bathroom, ambient lighting

Accessory:

Product Name	Item No	Photo	Product Name	Item No	Photo
LED Lead Cable	EACC29		CCT Connector Color temperature control	EATS02-B	
Connector	EACC30				



Specification:

Size(mm)	LED Chip	Input	Watts/M	CCT	Lum/m	IP
500x5000x10	2x120pcs/m 3014	DC 12V	12 W/m	2700k-5000k	1200Lm	IP20,44,67

EAFS31



Domestic Use



Flexible



IP Rating available
20/44/67



Convenience
assemble



Cutting available



Features:

- High lumen, high CRI and good color consistency
- Better flexibility rolled copper foil for FPC
- Can load more current with thicker FPC
- Easy installation with fast connecting EuroArt System

Application:

- Designed for illumination of ceiling, wall decoration

Accessory:



Product Name	Item No	Photo
LED Lead Cable	EACC29	
Connector	EACC30	



Specification:

Item no.	Size	LED Chip	Input	Watts/M	CCT	Lum/m	IP
EAFS31	500-5000x10	120pcs/m 2835	DC12V	14.4 W/m	3000k 4000k 6500k	1120Lm	IP20,44,67

EAFS51



Domestic Use



Flexible



IP Rating available
20/44/67



Convenience
assemble



Cutting available

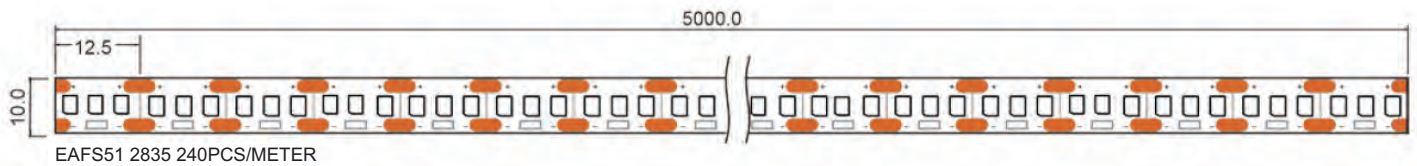


Features:

- High lumen, high CRI and good color consistency
- Better flexibility rolled copper foil for FPC
- Can load more current with thicker FPC
- Easy installation with fast connecting EuroArt System
- Strip light can be connected with soldering.

Application:

- Designed for illumination of ceiling, wall decoration and cabinet.



Specification:

Size	LED Chip	Input	Watts/M	CCT	Lum/m	IP
500-5000x10	240pcs/m 2835	DC12V	18 W/m	3000k 4000k 6500k	1850Lm	IP20,44,67

EAFS55



Domestic Use



Flexible



IP Rating available
20/44/67



Convenience
assemble



Cutting available

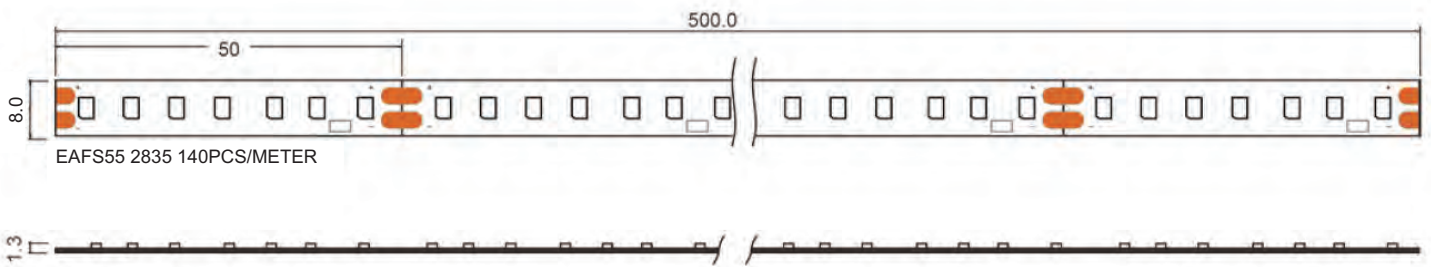


Features:

- High lumen, high CRI and good color consistency
- Better flexibility rolled copper foil for FPC
- Can load more current with thicker FPC
- Easy installation with fast connecting EuroArt System
- Strip light can be connected with soldering.

Application:

- Designed for illumination of architecture, decoration, staircase, cabinet, safety showcase



Specification:

Item no.	Size (mm)	LED Chip	Current	Input	Watts/M	CCT	Lum/m	IP
EAFS55	500-5000x8	140pcs/m 2835	20/30/ 40mA	DC24V	12 W/m	3000k 4000k 6500k	960/1400/ 1800Lm	IP20,44,67

EAFS56

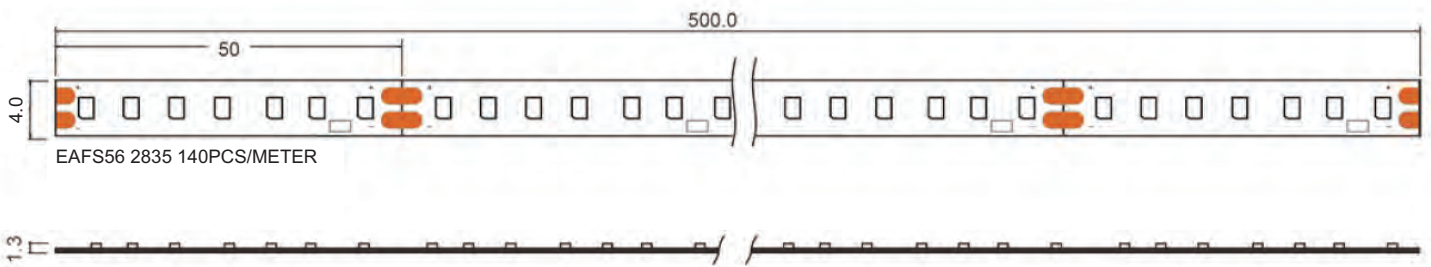


Features:

- High lumen, high CRI and good color consistency
- Better flexibility rolled copper foil for FPC
- Can load more current with thicker FPC
- Easy installation with fast connecting EuroArt System
- Strip light can be connected with soldering.

Application:

- Designed for illumination of architecture, decoration, staircase, cabinet, safety showcase



Specification:

Item no.	Size (mm)	LED Chip	Current	Input	Watts/M	CCT	Lum/m	IP
EAFS56	500-5000x4	140pcs/m 2835	20/30/40mA	DC24V	12 W/m	3000k 4000k 6500k	960/1400/ 1800Lm	IP20,44,67

EAFS57



Domestic Use



Flexible



IP Rating available
20/44/67



Convenience
assemble



Cutting available

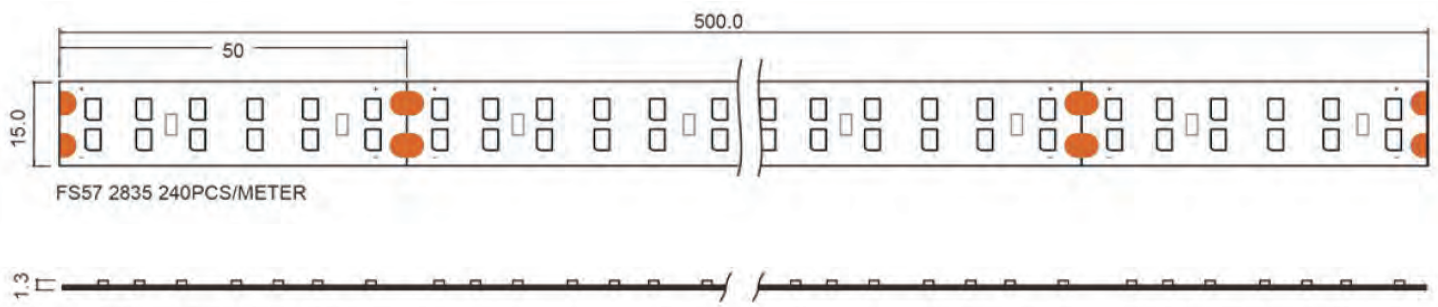


Features:

- High lumen, high CRI and good color consistency
- Better flexibility rolled copper foil for FPC
- Can load more current with thicker FPC
- Easy installation with fast connecting EuroArt System
- Strip light can be connected with soldering.

Application:

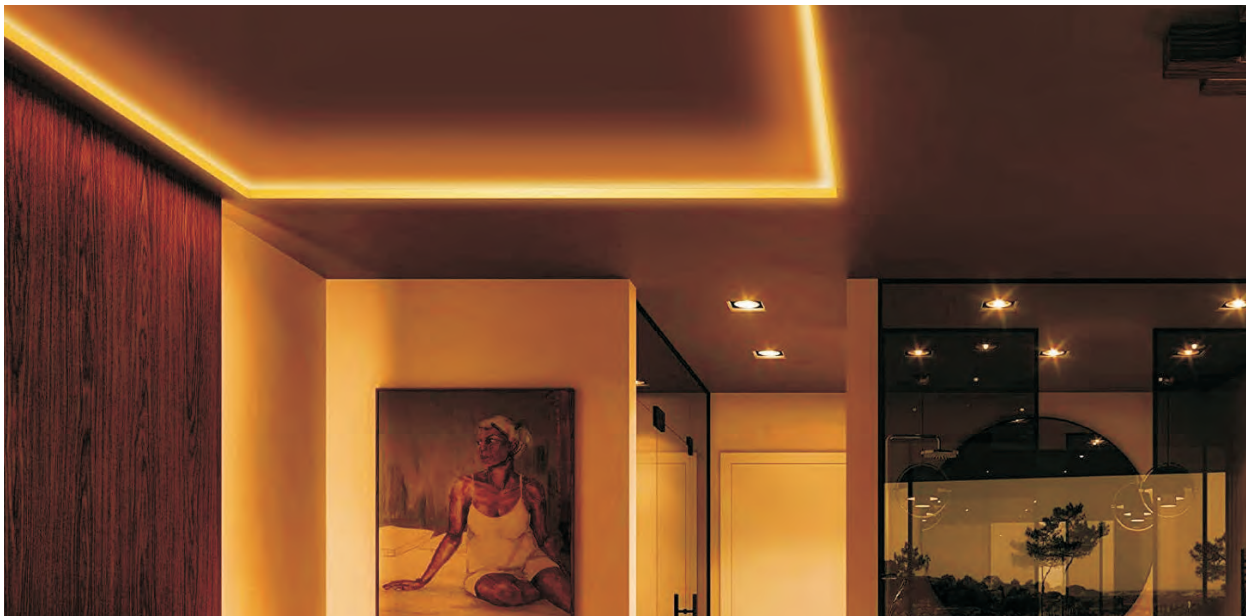
- Designed for illumination of architecture, decoration, staircase, cabinet, safety showcase



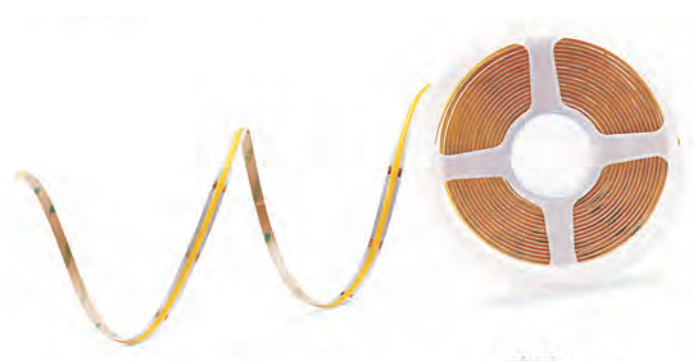
Specification:

Size (mm)	LED Chip	Input	Watts/M	CCT	Lum/m	IP
500-5000x15	120pcs/m 2835	DC24V	9.6 W/m	3000k 4000k 6500k	1400Lm	IP20,44,67

EAFB06



-  Domestic Use
-  Flexible
-  IP Rating available 20/44/67
-  Convenience assemble
-  Cutting available



Features:

- No obvious light spots make the light more even and soft.
- easy to cut by the cutting mark.
- Can load more current with thicker FPC.
- High brightness: 320smd/m or 480smd designed make uniform light.
- Strip light can be connected with soldering.

Application:

- Designed for illumination of architecture decoration, staircase, cabinet, safety showcase



Specification:

Size (mm)	LED Chip	Input	Watt/M	CCT	Lum/m	IP
500-5000x5	320pcs/m 2835	DC12V	10 W/m	3000k 4000k 6500k	80-110Lm	IP20

EAFB01

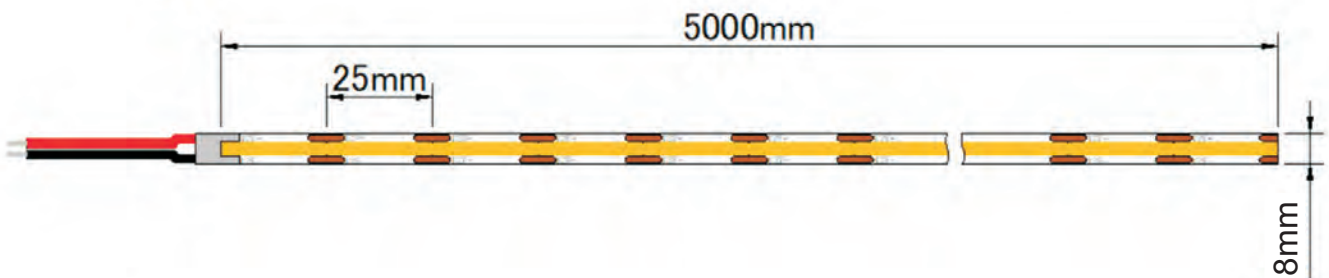


Features:

- High light effect, high apparent finger, good colour consistency.
- easy to cut by the cutting mark.
- Unlimited length, no lamp point.
- High brightness: 320smd/m or 480smd designed make uniform light.
- Strip light can be connected with soldering.

Application:

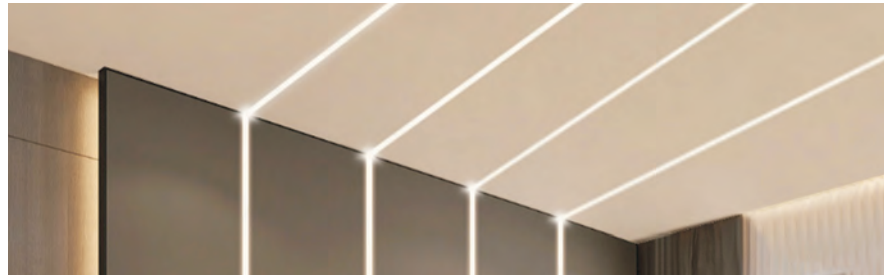
- ceiling, back wall, display case and cabinet lighting



Specification:

Size (mm)	LED Chip	Input	Watt/M	CCT	Lum/m	IP
500-5000x5	320pcs/m 2835	DC12V	10 W/m	3000k 4000k 6500k	80-110Lm	IP20

NEON Silicon Strip Light



EA-NS01

EA-NS02



Features:

- Material : Silicon Strip.
- Waterproof, flame retardant, strong corrosion resistance, soft lighting.
- Glowing is on the front.
- Bendable, for simple styling
- Wide range of applications with recessed mounted & surface mounted.

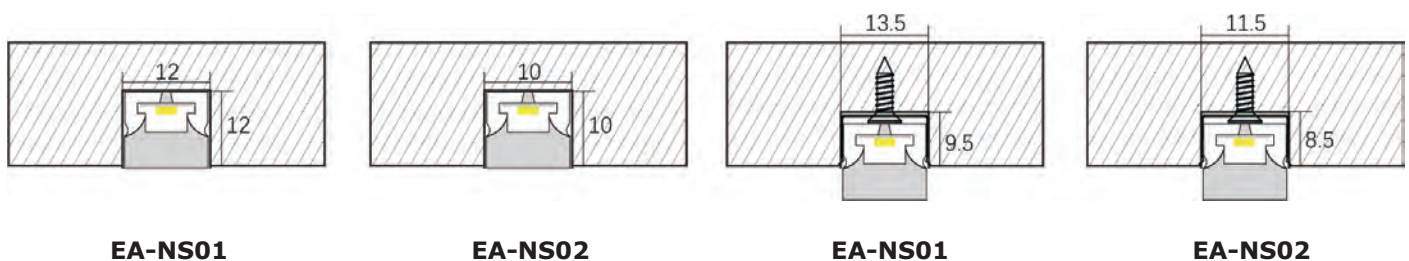
Specification:

Item	Length	Watts/m	Input	Width	CCT	Installation
EA-NS01	2 meter	4.8 W/m	DC 12V	12mm	3000K4000K6000K	Recessed mounted
EA-NS02	2 meter	2.5 W/m	DC 12V	10mm	3000K4000K6000K	

Application :

Decorative illumination. For shopping center, hotel, living room, display cabinet, etc.

Installation



Easy Connector System for Flexible Strip Light

EACC27

EACC29

EACC30

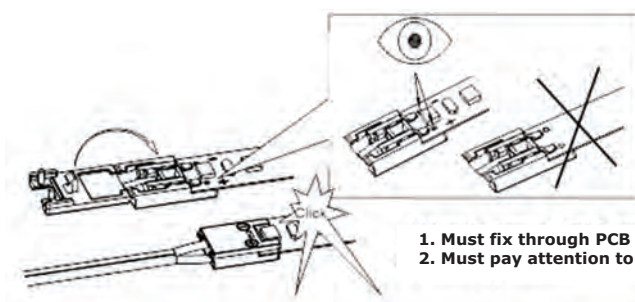
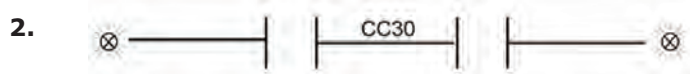
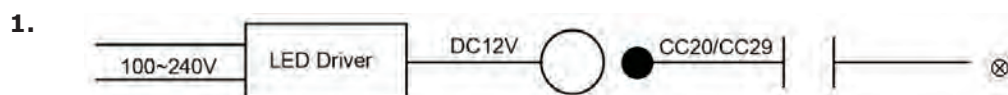

Features:

LED flexible strip light cable and connector system, can easily connect the LED driver and LED flexible strip light, and extended distance from the LED driver to LED flexible strip light (the lead cable max 6M), it is efficient and convenient for furniture

Specification

Item no.	Description	Application
EACC27 Strip to Driver	Extension cable for strip to driver connection	All LED flexible strip light
EACC29 Strip to Driver	LED flexible strip light cable and connector with DC12V JST male socket, max loaded current 3A, IP20	EAFS25, EAFS31, EAFS35, EAFS27
EACC30 Strip to Strip	Connector for two pcs LED flexible strip light	EAFS25, EAFS31, EAFS35, EAFS27

Application Drawing



1. Must fix through PCB hole
2. Must pay attention to +/- Mark





EAPL05



EARL08



EALD38

EAPL05



Features:

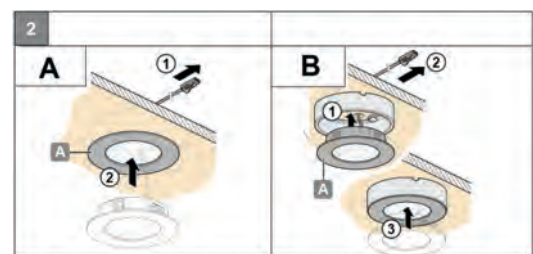
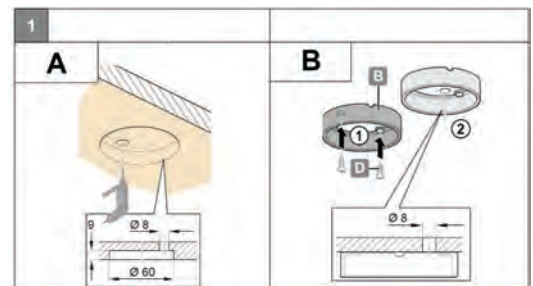
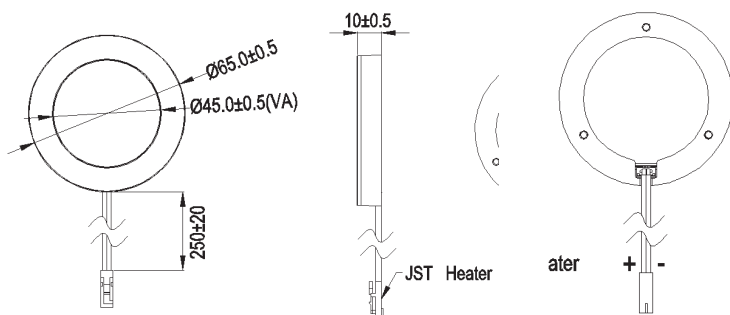
- Material: ABS and aluminium.
- Size: Ø65mm x H10mm.
- LED chip: 20pcs 2835.
- Installation: Recessed or mounted by ring with screw.
- Cutout: Ø60mm
- Silver, Black, White

Application:

Design for cabinet / Showcase / Shop Area illumination

Vertical&Horizontal Beamwidth Center Beam Lux

	112.1°	3000K	4000K	6000K
0.3m	74.27cm	112/367LX	119/393LX	109/359LX
0.5m	148.54cm	28/92LX	30/98LX	27/90LX
0.8m	222.80cm	12/41LX	13/44LX	12/40LX
1.0m	297.07cm	7/23LX	7/25LX	7/22LX
2.7m	802.09cm	0.1/3LX	1/3LX	1/3LX



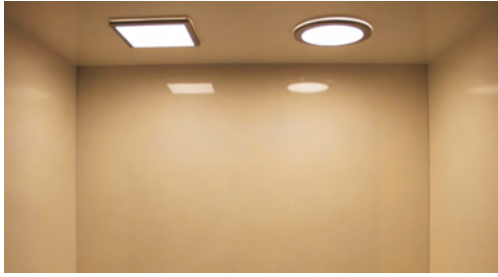
Specification:

Power consumption	Power Input	Lum @ 6000K	Flux @ 0.5 M	CRI
1.8W	DC12V	153lm	90lx	≥90

Accessory:

Product Name	Item No	Photo
Mounted ring	EASM28	
LED Lead Cable	EACC33	

LED Super Slim mini panel light



EAPL06

EAPL07



Features:

- Material: Painting Plastic.
- Size: Ø100mm x H6mm.
- Color: Polish Silver
- LED Chip: 63pcs 3014
- Installation: Mounted by screw



Features:

- Material: Painting Plastic.
- Size: Ø100mm x H6mm.
- Color: Polish Silver
- LED Chip: 42pcs 3014
- Installation: Mounted by screw

Specification:

Power consumption	Power Input	Lum@3000K	Flux@1M	CRI
4.2W	DC24V	170lm	49lx	≥90

If input AC100-240V, need to add external LED driver (LD38/LD39)

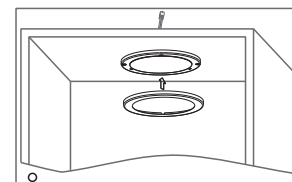
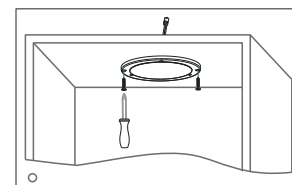
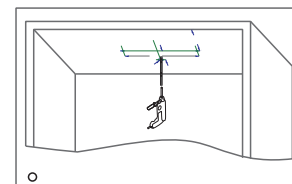
0.3m	216/544	68.54
1.0m	20/49	228.5
1.5m	9/22	342.7
2.0m	5/12	456.9
3.0m	2/6	685.4
Angle:97.6°		

Height Avr./Max(Ix)

Diameter(cm)

Application:

Design for cabinet / Showcase / Shop area illumination



LED Cabinet series



EACB15



Features:

- Material: Anodized Aluminium
- Size: Ø42mm x H18.5mm
- Cutout: Ø35mm
- Color: Silver, Black

Applications:

Design for cabinet / Showcase / Shop area illumination

Accessory

LED driver, cable and connector

Specification:

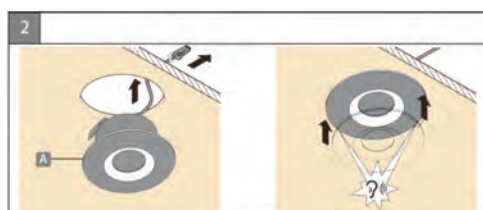
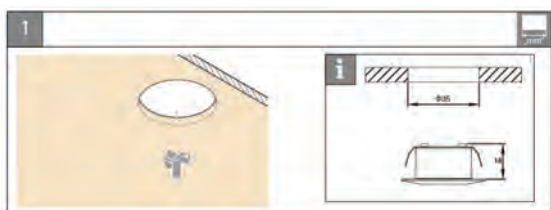
Power consumption	Power Input	Lum@3000K	Flux@1M	CRI
1.5W	DC12V	115lm	317lx	≥90

If input AC100-240V, need to add external LED driver (LD38/LD39)

Vertical&Horizontal Beamwidth

Center Beam Lux

	19°	Center Beam Lux		
		3000K	4000K	6000K
0.3m	9.04cm	3674/5072LX	3332/4546LX	3681/5160LX
0.5m	18.08cm	918/1268LX	833/1136LX	920/1290LX
0.8m	27.12cm	408/563LX	370/505LX	409/573LX
1.0m	36.17cm	229/317LX	208/284LX	230/322LX
2.7m	97.65cm	31/43LX	28/38LX	31/44LX

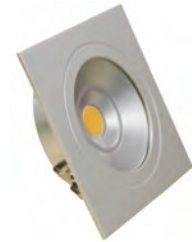


LED Cabinet light



EACB07

EACB20



Features:

- Material: Anodized Aluminium
- Size: Ø65mm x H13mm
- Cutout: Ø58-60mm
- Color: Silver, Black
- LED chip: 1 pcs 3W COB

Features:

- Material: Anodized Aluminium
- Size: 65mm x 65mm x H20mm
- Cutout: Ø58-60mm
- Color: Silver, Black
- LED chip: 1 pcs 3W COB

Specification:

Power consumption	Power Input	Lum@3000K	Flux@1M	CRI
3W	DC12-24V	260lm	54lx	≥90

If input AC100-240V, need to add external LED driver (LD38/LD39)

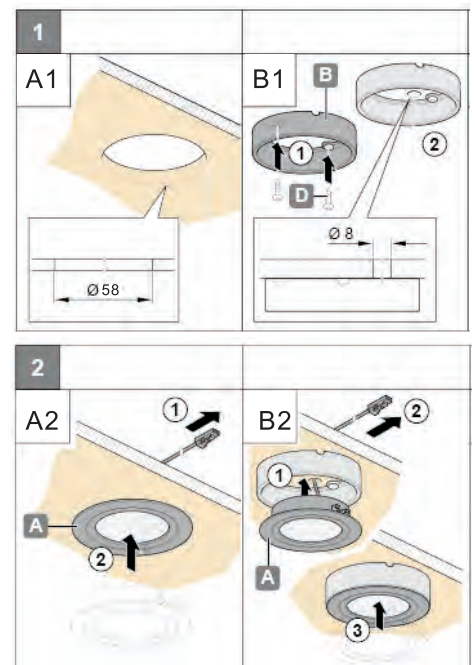
Vertical&Horizontal Beamwidth Center Beam Lux

	105.5°	3000K	4000K	6000K
0.3m	78.90cm	206/607LX	237/641LX	271/669LX
1.0m	263.01cm	19/54LX	28/65LX	39/77LX
1.5m	394.52cm	8/24LX	17/33LX	26/44LX
2.0m	526.03cm	4/14LX	8/19LX	13/25LX
3.0m	789.04cm	2/6LX	6/11LX	11/16LX

Accessory

Product Name	Item No	Photo
Surface Ring	EASM01	

LED driver, cable and connector



Applications:

Design for cabinet / Showcase / Shop area illumination

LED Mini Cabinet Puck light



EACB09

EACB21



Features:

- Material: Anodized Aluminium
- Size: Ø65mm x H13mm
- Cutout: Ø58-60mm
- Color: Silver, Black
- LED chips: 24pcs 3014

Features:

- Material: Anodized Aluminium
- Size: 65mm x 65mm x H13mm
- Cutout: Ø58-60mm
- Color: Silver, Black
- LED chips: 24pcs 3014

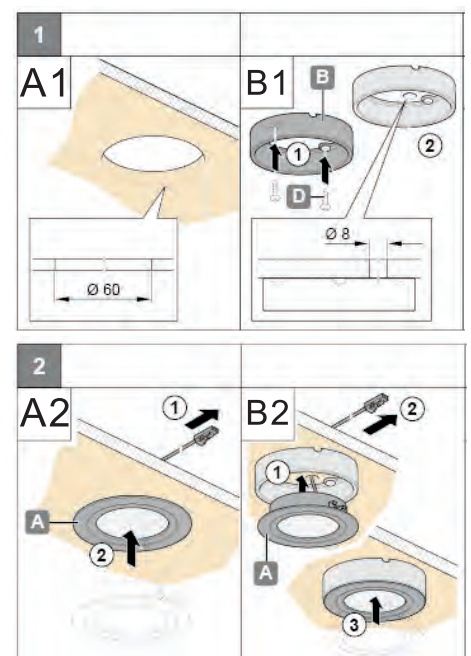
Specification:

Power consumption	Power Input	Lum@3000K	Flux@1M	CRI
3W	DC12V	210lm	54lx	≥90

If input AC100-240V, need to add external LED driver (LD38/LD39)

Vertical&Horizontal Beamwidth Center Beam Lux

	105.5°		Center Beam Lux		
			Warm	Cool White	Day Light
0.3m		78.90cm	206/607LX	237/641LX	271/669LX
1.0m		263.01cm	19/54LX	28/65LX	39/77LX
1.5m		394.52cm	8/24LX	17/33LX	26/44LX
2.0m		526.03cm	4/14LX	8/19LX	13/25LX
3.0m		789.04cm	2/6LX	6/11LX	11/16LX



Accessory

Product Name	Item No	Photo
Surface Ring	EASM01	

LED driver, cable and connector

Applications:

Design for cabinet / Showcase / Shop area illumination

LED Slim Cabinet Light



EACB10

EACB11



Features:

- Material: Polished Stainless Steel
- Size: Ø55mm x H8.0mm
- Color: Polish silver
- LED chip: 24pcs 3014
- Installation: Mounted by screw or adhesive tape

Features:

- Material: Polished Stainless Steel
- Size: 50mm x 50mm x H8.0mm
- Color: Polish silver
- LED chip: 24pcs 3014
- Installation: Mounted by screw or adhesive tape

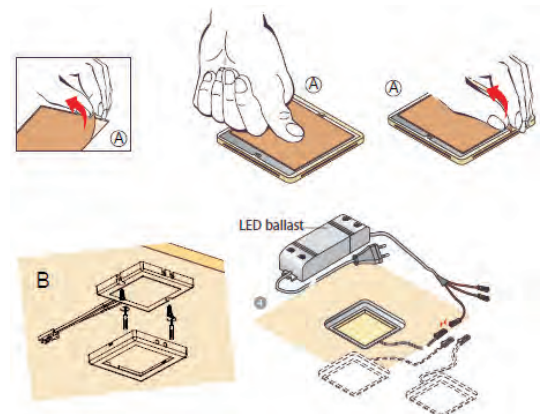
Specification:

Power consumption	Power Input	Warm White	Flux@1M	CRI
1.8W	DC12V	170lm	49lx	≥90

If input AC100-240V, need to add external LED driver (LD38/LD39)

Height	Avr./Max(lx)	Diameter(cm)
0.3m	216/544	68.54
1.0m	20/49	228.5
1.5m	9/22	342.7
2.0m	5/12	456.9
3.0m	2/6	685.4

Angle: 97.6°



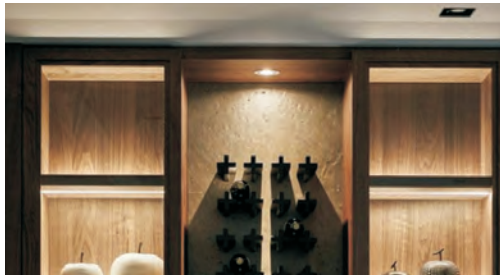
Applications:

Design for cabinet / Showcase
Shop area illumination

Accessory:

LED driver, cable and connector

LED Cabinet light



EACB05



EACB06



Features:

- Material: Brushed Aluminium
- Size: Ø52mm x H20mm
- Hole Dimension: Ø45mm
- Color: Silver
- Adjustable Angle: 30 degree up/down



Features:

- Material: Brushed Aluminium
- Size: 60mm x 60mm x H20mm
- Hole Dimension: Ø50mm
- Color: Silver
- Adjustable Angle: 30 degree up/down

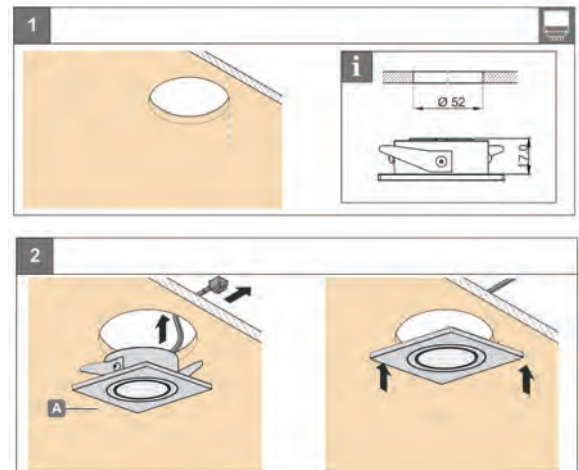
Specification:

Power consumption	Power Input	Warm White Lum@3000K	Flux@1M	CRI
1W	DC350mA	70-80lm	102lx	≥90

If input AC100-240V, need to add external LED driver (DL3501)

Vertical&Horizontal Beamwidth Center Beam Lux

Distance	Beamwidth (24.2°)	Center Beam Lux		
		Warm White 3000K	CoolWhite 4000K	Day light 6000K
0.3m	12.86cm	1231/1315LX	1442/1532LX	1645/1752LX
1.0m	42.88cm	108/102LX	130/138LX	235/245LX
1.5m	64.31cm	41/35LX	58/61LX	120/142LX
2.0m	85.75cm	26/29LX	32/35LX	61/73LX
3.0m	128.63cm	10/12LX	15/16LX	33/39LX



Applications:

Design for cabinet / Showcase / Shop area illumination

Accessory:

LED driver, cable and connector

LED Spot light



EACF03

EACF04



Features:

- Material: Anodized Aluminium
- Size: Ø40mm x H32mm
- Cutout: Ø35mm
- Color: Silver, Black
- Adjustable Angle: 360°

Features:

- Material: Anodized Aluminium
- Size: Ø40mm x H18mm
- Cutout: Ø35mm
- Color: Silver, Black, Golden
- Adjustable Angle: 360°

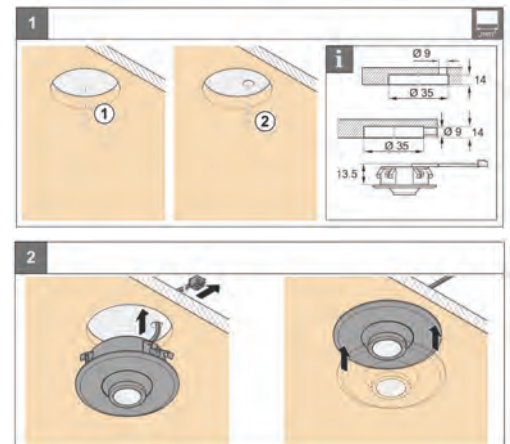
Specification:

Power consumption	Power Input	Lum@3000K	Flux@1M	CRI
1W	DC350mA	70-80lm	102lx	≥90

If input AC100-240V, need to add external LED driver (DL3501)

Vertical&Horizontal Beamwidth Center Beam Lux

	24.2°	3000K			4000K			6000K		
		Beamwidth	Beamwidth	Beamwidth	Beamwidth	Beamwidth	Beamwidth	Beamwidth	Beamwidth	Beamwidth
0.3m		12.86cm	1231/1315LX	1442/1532LX	1645/1752LX					
1.0m		42.88cm	108/102LX	130/138LX	235/245LX					
1.5m		64.31cm	41/35LX	58/61LX	120/142LX					
2.0m		85.75cm	26/29LX	32/35LX	61/73LX					
3.0m		128.63cm	10/12LX	15/16LX	33/39LX					



Applications:

Design for cabinet / Showcase / Shop area illumination

Accessory:

LED driver, cable and connector

LED cabinet light



EACB28



Features:

- Material: Anodized Aluminium
- High lumen efficiency high CRI and color consistency
- Delicate appearance and easy installation
- Color: Silver
- Cutout Size: Ø30mm

Application:

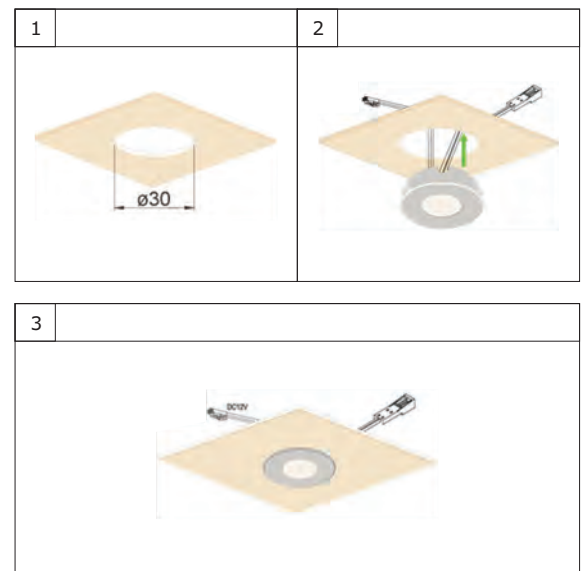
- Cabinet, display cabinet and wine cabinet

Specification:

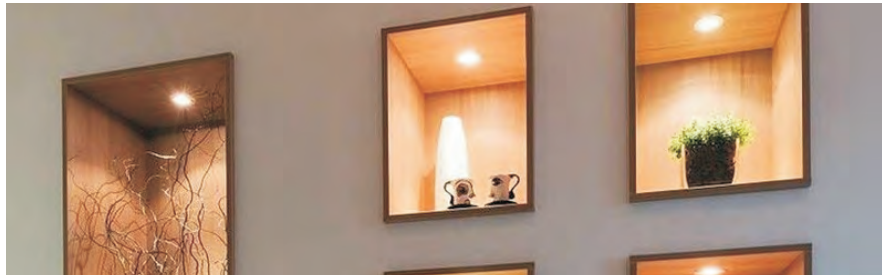
Size (mm)	Power	Input	Color	CCT	Lum@4000K	Flux@30cm	CRI
Ø36x14	1.2W	DC1.2W	Silver	3000k 4000k 6500k	105Lm	623Lx	≥ 80

Center Beam Lux

cm	48°	Lux
		4000K
30		623
50		156
80		69
100		40
270		5



LED cabinet light



EACB29



Features:

- Material: Anodized Aluminium
- High lumen efficiency high CRI and color consistency
- Delicate appearance and easy installation
- Cutout Size: Ø60mm

Application:

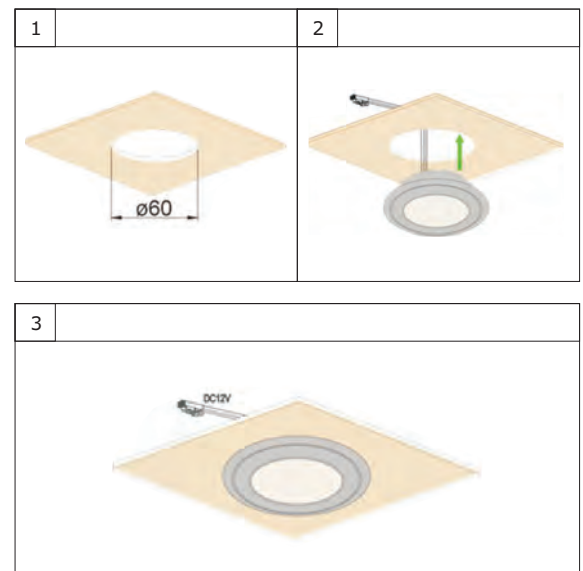
- Cabinet, display cabinet and wine cabinet

Specification:

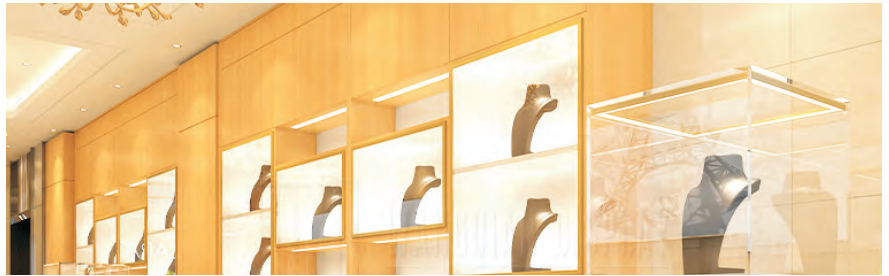
Size (mm)	Power	Input	Color	CCT	Lum@4000K	Flux@30cm	CRI
Ø65x12	2.5W	DC24V	Silver	3000k 4000k 6500k	264Lm	1116Lx	≥80

Center Beam Lux

cm	82°	Lux
		4000K
30		1116
50		279
80		124
100		69
270		9



Jewellery showcase LED light series



EAJS15

EAJS16



Features:

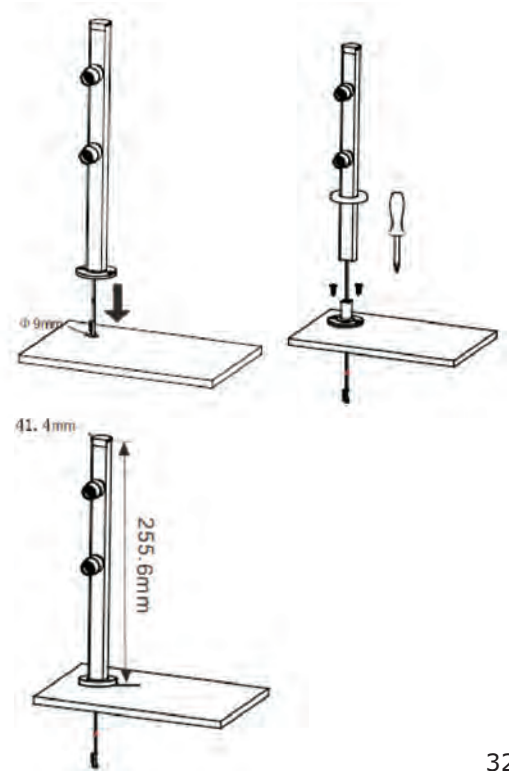
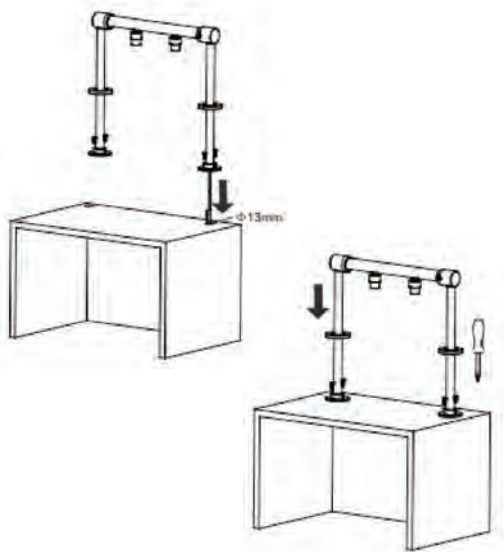
- Material : Anodized Aluminium
- Color : Silver & Black
- High Lumen efficiency, high CRI and low color-tolerance.
- Adjustable beam angle.
- Modular design,easy installation.

Specification:

Item	Length/mm	Watts/m	Input	Lum@3000K	CCT	Flux@30cm	CRI
EAJS15	290x252xØ25	2.4 W/m	DC 12V	190lm	2700K - 6000K	1748 lx	>80
EAJS16	255.6xØ41.4	2.4 W/m	DC 12V	100lm	2700K - 6000K	1900 lx	>80

Application:

Commercial display Lighting



LED jewellery showcase light



EAJS10



Features:

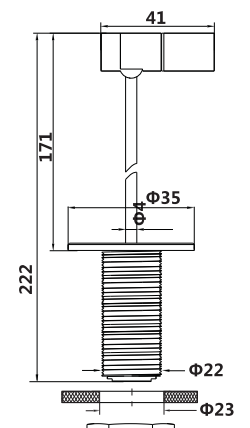
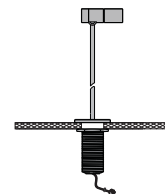
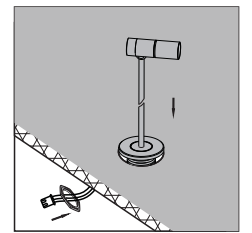
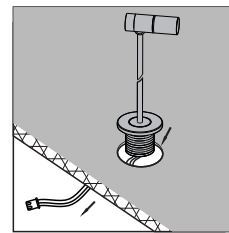
- Material: Anodized Aluminium
- Input: DC350mA
- Light source: 1pcs 1W LED chip
- Adjustable: Up/down 80°, horizon 350°
- Color: Silver, Black
- CCT: 3000K / 4000K / 6000K

Specification:

Power consumption	Power Input	Lum@6000K	Flux@1M	CRI
1W	DC35mA	80lm	42lx	≥90

Height	Avr./Max(lx)	Diameter(cm)
0.3m	2282/3264	15
0.5m	143/205	53
0.8m	64/93	80
1.0m	28/42	106
2.7m	9/15	160

Angle: 30.2°



Applications:

Design for cabinet / Showcase / Shop area illumination

Accessory:

LED driver, cable and connector

LED Jewellery Showcase Light



EAJS08



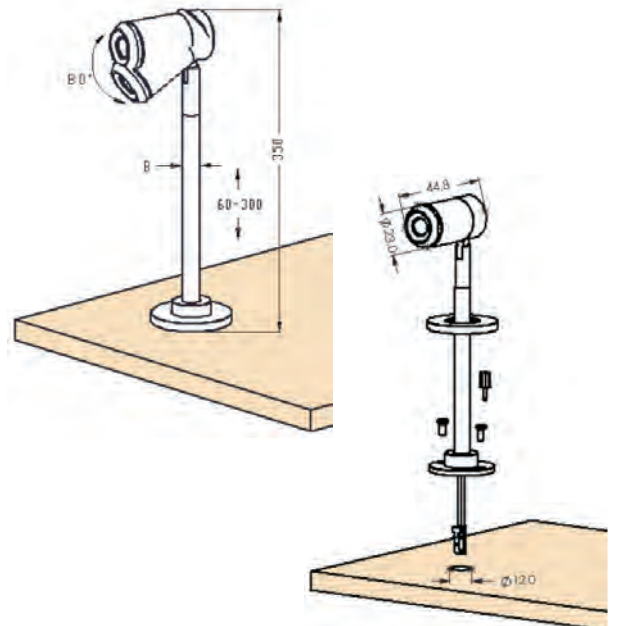
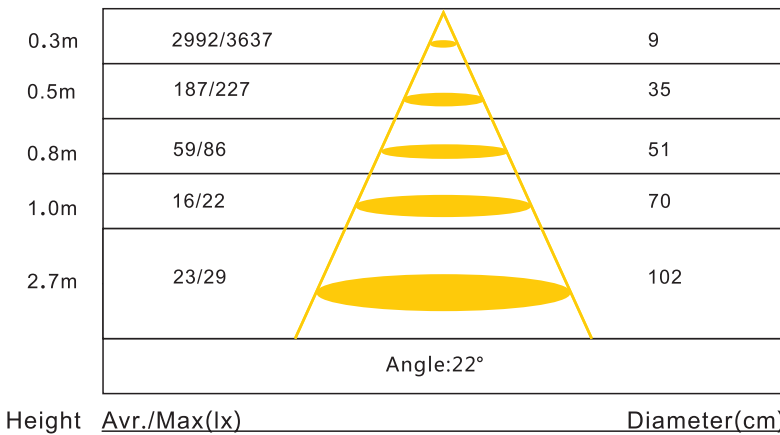
Features:

- Material: Anodized Aluminium
- Input: DC12V
- Light source: 1pcs 2W LED chip
- Adjustable: Up/down 80°, horizon 350°
- Color: Silver, Black
- CCT: 3000K / 4000K / 6000K

Specification:

Power consumption	Power Input	Day Light Lum@6000K	Flux@1M	CRI
2W	DC12V	140lm	22lx	≥90

If input AC 100-240V, need to add external LED driver(LD38/LD39)



Applications:

Design for cabinet / Showcase / Shop area illumination

Accessory:

LED driver, cable and connector

LED Dimable Reading light



EARL08



Features:

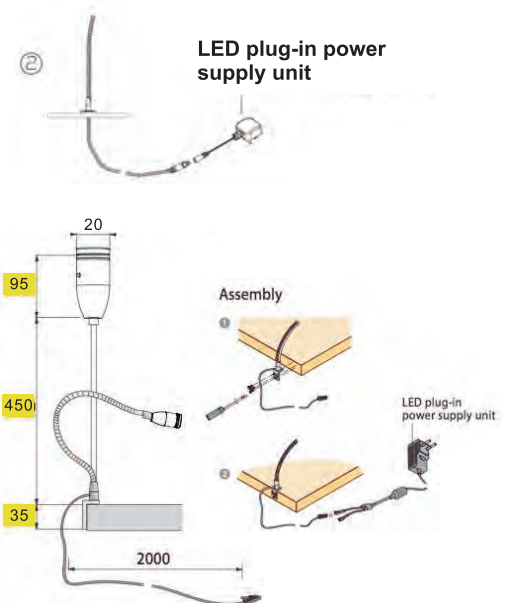
- Material: Anodized Aluminium
- Size: Ø20mm x H580mm
- Surface color: Silver
- Light source: 12 pcs 2835 chips
- Switch: Touch dimmer switch on head

Specification:

Power consumption	Power Input	Lum@6000K	Flux@1M	CRI
1.8W	DC12V	120lm	54lx	≥90

If input AC100-240V, need to add external LED driver (LD38/LD39)

	105.5°	Warm 3000K	CoolWhite 4000K	Day Light 6000K
0.3m	78.90cm	206/607LX	237/641LX	271/669LX
1.0m	263.01cm	19/54LX	28/65LX	39/77LX
1.5m	394.52cm	8/24LX	17/33LX	26/44LX
2.0m	526.03cm	4/14LX	8/19LX	13/25LX
3.0m	789.04cm	2/6LX	6/11LX	11/16LX



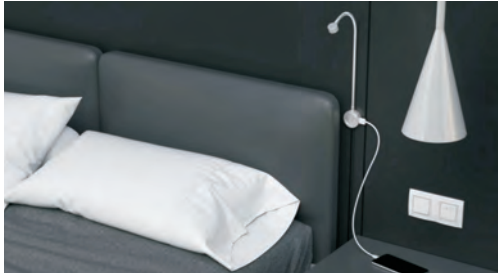
Applications:

Design for cabinet / Showcase
Shop area illumination

Accessory:

LED driver, cable and connector

LED Reading light with USB output



EARL11



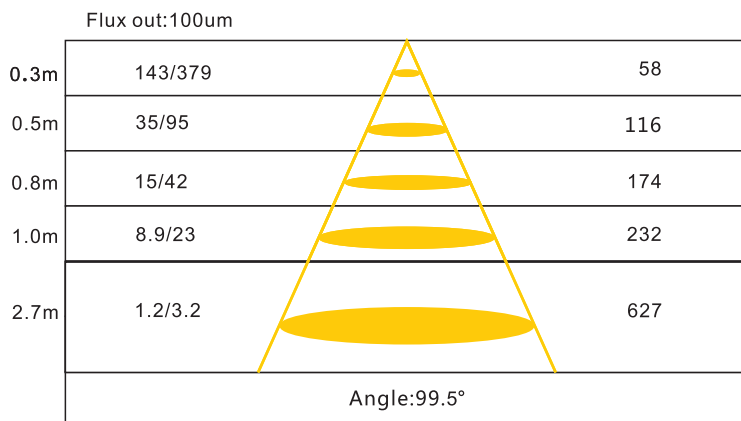
Features:

- Material: Anodized Aluminium
- Size: Ø20mm x H580mm
- Surface color: Silver
- Light source: 3 pcs 5630 chips
- Switch: Charging Port And Dimmer Switch on base

Specification:

Power consumption	Power Input	Lum@3000K	Flux@1M	CRI
10W (with charging)	DC12V	100lm	23lx	≥90

If input AC100-240V, need to add external LED driver (LD38/LD39)

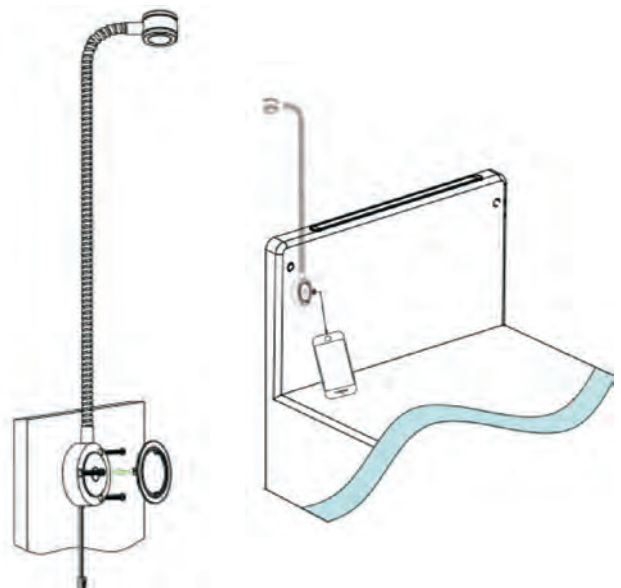


Applications:

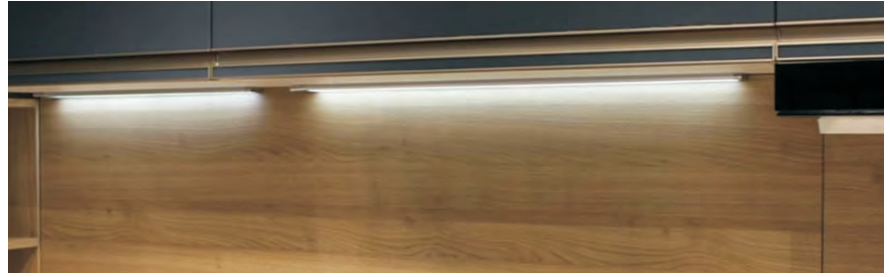
Design for cabinet / Showcase / Shop area illumination

Accessory:

LED driver, cable and connector



LED cabinet/Drawer light with sensor



EAHS03

EAHS05



Features:

- With IR door sensor on the side of aluminium profile
- Size: 862x16x13mm
- Turn on/off by Door open/close
- DC12V, 60Pcs/M 2835 Chips

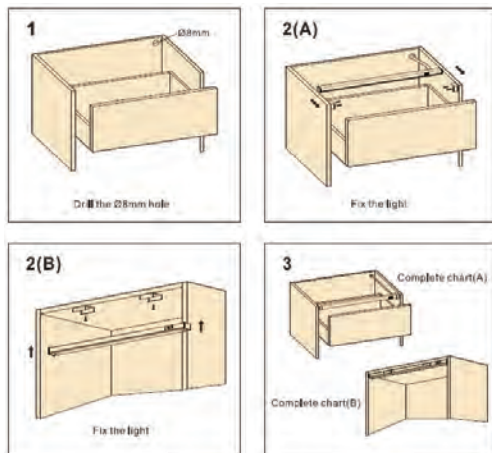
Features:

- With IR door sensor on the PVC Diffuser
- Size: 862x16x13mm
- Turn on/off by Door open/close
- DC12V, 60Pcs/M 2835 Chips

Specification:

Light Color	Wattage (W)	Power Input	Lumen (lm)	Length	CRI
3000k/Warm white	3/4.5	DC12V	180/270	563/862	≥90
4000k/Cool white	3/4.5	DC12V	180/270	563/862	≥90
6000k/Day light	3/4.5	DC12V	180/270	563/862	≥90

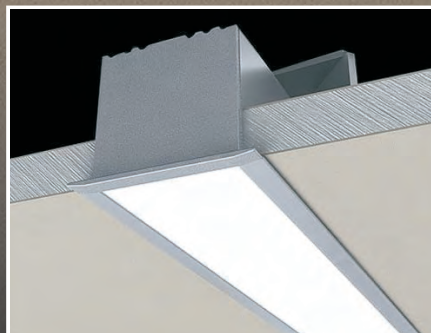
If input AC100-240V, need to add external LED driver (LD38/LD39)



Item No	Description	Photo
EASM1103	Stainless Steel Mounted Clip	
EASM1104	Plastic Mounted Clip	

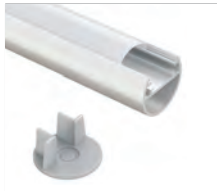
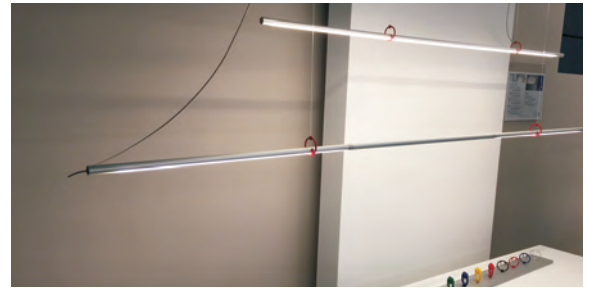
Applications: Suitable for drawer or wardrobe / Cabinet

Accessory: LED driver, cable and connector

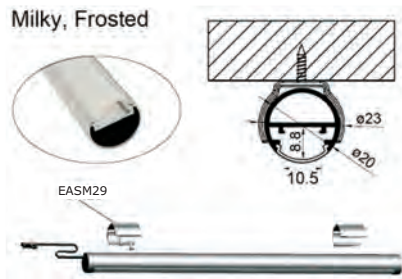


ALUMINIUM PROFILE FOR LED

EAAP09



EAEC29



Features:

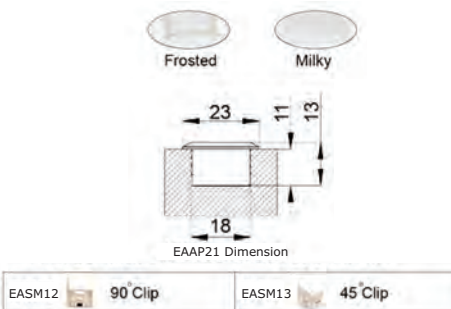
- Profile can be cut to size
- High quality PC cover make light more homogenous
- Round shape design can supply surface mounted or as hanging line, multiple usage than the other
- Aluminium body - AL6063
- Installation: Surface Mounted
- Size: 20x8.8mm
- Length: 0.5 to 2.5m

Item No.	Type	Item No.	Type
EAAP09/M	Milky Cover	EAEC29	End Cap for EAAP09
EAAP09/F	Frosted Cover	EASM29	Support bracket for EAAP09

EAAP21



EAEC11



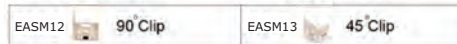
Features:

- Profile can be cut to size
- High quality PC cover make light more homogenous
- Rectangular shape design can supply surface mounted or as hanging line, multiple usage than the other
- Aluminium body - AL6063
- Installation: Surface Mounted & Recessed
- Size: 23x13mm
- Length: 0.5 to 2.5m

Item No.	Type	Item No.	Type
EAAP21/M	Milky Cover	EAEC11	End Cap for EAAP21
EAAP21/F	Frosted Cover	EASM12/EASM13	Support bracket for EAAP21

Application: Furniture lighting, store shelf lighting, window display light, stair light, cabinet shelves, display cabinet, wine cabinet

EAAP25



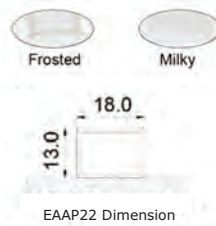
Features:

- Profile can be cut to size
- High quality PC cover make light more homogenous
- Rectangular shape design can supply surface mounted or as hanging line, multiple usage than the other
- Aluminium body - AL6063
- Installation: Surface Mounted & Recessed
- Size: 23x8.5mm
- Length: 0.5 to 2.5m

EAEC17

Item No.	Type	Item No.	Type
EAAP25/M	Milky Cover	EAEC17	End Cap for EAAP25
EAAP25/F	Frosted Cover	EASM12/EASM13	Support bracket for EAAP25

EAAP22



Features:

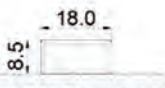
- Profile can be cut to size
- High quality PC cover make light more homogenous
- Exquisite makes wider range of use than the others
- Aluminium body - AL6063
- Installation: Surface Mounted
- Size: 18x13mm
- Length: 0.5 to 2.5m

EAEC12

Item No.	Type	Item No.	Type
EAAP22/M	Milky Cover	EAEC12	End Cap for EAAP22
EAAP22/F	Frosted Cover	EASM12/EASM13	Support bracket for EAAP22

Application: Furniture lighting, store shelf lighting, window display light, stair light, cabinet shelves, display cabinet, wine cabinet

EAAP24



EAAP24 Dimension



Features:

- Profile can be cut to size
- High quality PC cover make light more homogenous
- Exquisite makes wider range of use than the others
- Aluminium body - AL6063
- Installation: Surface Mounted
- Size: 18x8.5mm
- Length: 0.5 to 2.5m

EAEC18

Item No.	Type	Item No.	Type
EAAP24/M	Milky Cover	EAEC18	End Cap for EAAP22
EAAP24/F	Frosted Cover	EASM12/EASM13	Support bracket for EAAP22

EAAP28



Milky



EAAP28 Dimension



Features:

- Profile can be cut to size
- High quality PC cover make light more homogenous
- Exquisite makes wider range of use than the others
- Aluminium body - AL6063
- Installation: Surface Mounted
- Size: 18x18mm
- Length: 0.5 to 2.5m

EAEC14

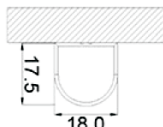
Item No.	Type	Item No.	Type
EAAP28/M	Milky Cover	EAEC14	End Cap for EAAP28
		EASM12/EASM13	Support bracket for EAAP28

Application: Furniture lighting, store shelf lighting, window display light, stair light, cabinet shelves, display cabinet, wine cabinet

EAAP29



Milky



EAAP29 Dimension



EAEC15



Features:

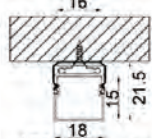
- Profile can be cut to size
- High quality PC cover make light more homogenous
- Exquisite makes wider range of use than the others
- Aluminium body - AL6063
- Installation: Surface Mounted
- Size: 17.5x18mm
- Length: 0.5 to 2.5m

Item No.	Type	Item No.	Type
EAAP29/M	Milky Cover	EAEC15	End Cap for EAAP29
		EASM12/EASM13	Support bracket for EAAP29

EAAP58



Milky



EAAP58 Dimension



EAEC59



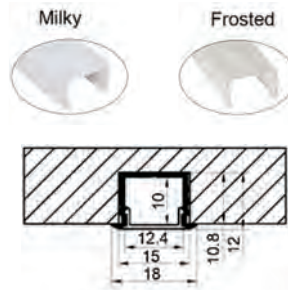
Features:

- Profile can be cut to size
- High quality PC cover make light more homogenous
- Exquisite makes wider range of use than the others
- Aluminium body - AL6063
- Installation: Surface Mounted
- Size: 21.5x18mm
- Length: 0.5 to 2.5m

Item No.	Type	Item No.	Type
EAAP58/M	Milky Cover	EAEC59	End Cap for EAAP58
		EASM12/EASM13	Support bracket for EAAP58

Application: Furniture lighting, store shelf lighting, window display light, stair light, cabinet shelves, display cabinet, wine cabinet

EAAP45



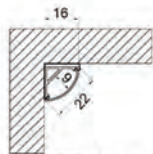
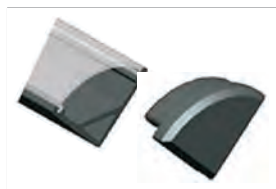
Features:

- Profile can be cut to size
- High quality PC cover make light more homogenous
- Exquisite makes wider range of use than the others
- Aluminium body - AL6063
- Installation: Surface Mounted & Recessed
- Color: Silver, Black
- Size: 18x12mm
- Length: 0.5 to 2.5m

EAEC45

Item No.	Type	Item No.	Type
EAAP45/M	Milky Cover	EAEC45	End Cap for EAAP45
EAAP45/F	Frosted Cover		

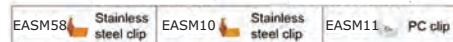
EAAP59



Features:

- Profile can be cut to size
- High quality PC cover make light more homogenous
- Exquisite makes wider range of use than the others
- Aluminium body - AL6063
- Installation: Surface Mounted & Fix by Clip
- Color: Silver
- Size: 22x16mm
- Length: 0.5 to 2.5m

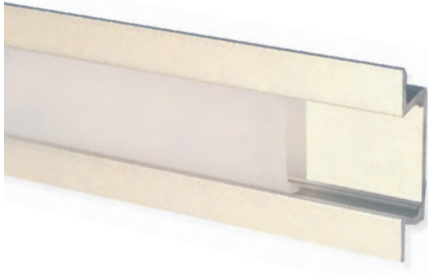
EAEC59



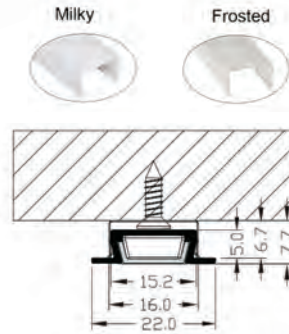
Item No.	Type	Item No.	Type
EAAP59M	Milky Cover	EAEC59	End Cap for EAAP59
EAAP59/F	Frosted Cover	EASM58/EASM10/EASM11	Support bracket for EAAP59

Application: Furniture lighting, store shelf lighting, window display light, stair light, cabinet shelves, display cabinet, wine cabinet

EAAP51



EAEC51

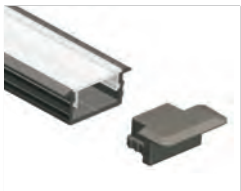


Features:

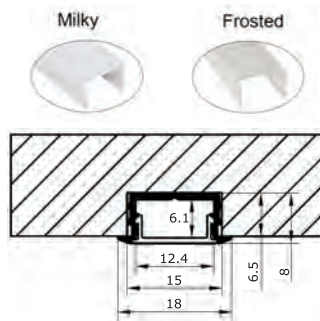
- Profile can be cut to size
- High quality PC cover make light more homogenous
- Exquisite makes wider range of use than the others
- Aluminium body - AL6063
- Installation: Surface Mounted & Recessed
- Color: Silver
- Size: 22x5mm
- Length: 0.5 to 2.5m

Item No.	Type	Item No.	Type
EAAP51/M	Milky Cover	EAEC51	End Cap for EAAP51
EAAP51/F	Frosted Cover		

EAAP44



EAEC44



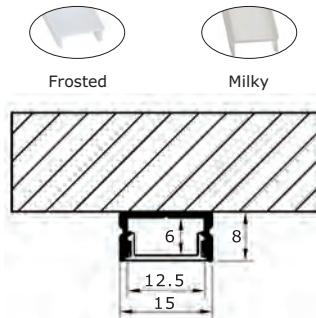
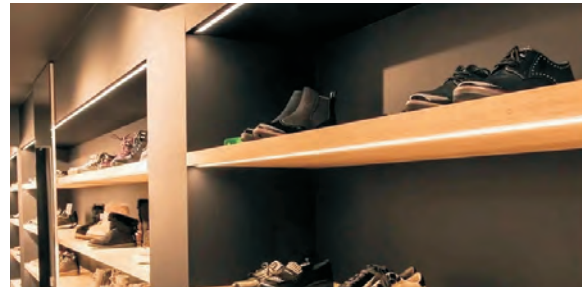
Features:

- Profile can be cut to size
- High quality PC cover make light more homogenous
- Exquisite makes wider range of use than the others
- Aluminium body - AL6063
- Installation: Surface Mounted & Recessed
- Color: Silver, Black
- Size: 18x8mm
- Length: 0.5 to 2.5m

Item No.	Type	Item No.	Type
EAAP44/M	Milky Cover	EAEC44	End Cap for EAAP44
EAAP44/F	Frosted Cover		

Application: Furniture lighting, store shelf lighting, window display light, stair light, cabinet shelves, display cabinet, wine cabinet

EAAP46



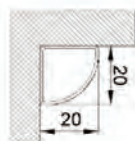
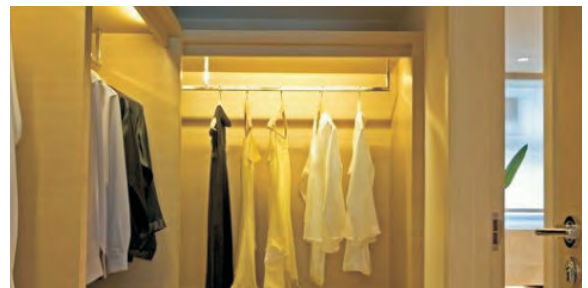
Features:

- Profile can be cut to size
- High quality PC cover make light more homogenous
- Exquisite makes wider range of use than the others
- Aluminium body - AL6063
- Installation: Surface Mounted & Fix by Clip
- Color: Silver, Black
- Size: 15x8mm
- Length: 0.5 to 2.5m

EAEC46

Item No.	Type	Item No.	Type
EAAP46/M	Milky Cover	EAEC46	End Cap for EAAP46
EAAP46/F	Frosted Cover		

EAAP23



EAAP23 Dimension



Features:

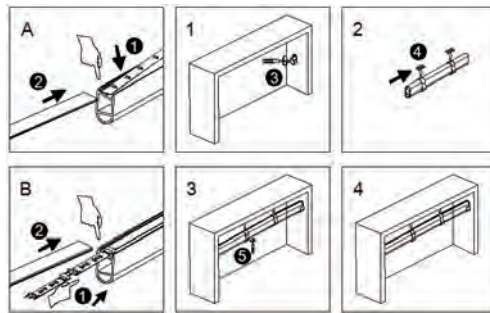
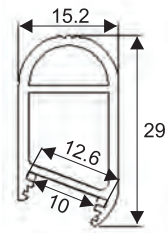
- Profile can be cut to size
- High quality PC cover make light more homogenous
- Exquisite makes wider range of use than the others
- Aluminium body - AL6063
- Installation: Surface Mounted & Fix by Clip
- Color: Silver
- Size: 22x20mm
- Length: 0.5 to 2.5m

EAEC23

Item No.	Type	Item No.	Type
EAAP23M	Milky Cover	EAEC23	End Cap for EAAP23
EAAP23/F	Frosted Cover	EASM58/EASM10/EASM11	Support bracket for EAAP23

Application: Furniture lighting, store shelf lighting, window display light, stair light, cabinet shelves, display cabinet, wine cabinet

EAAP16



Features:

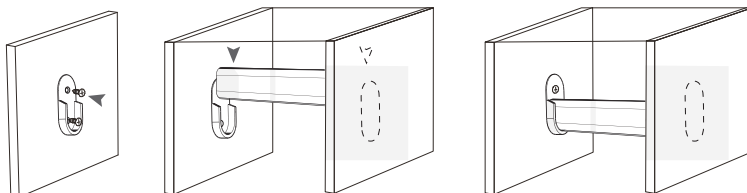
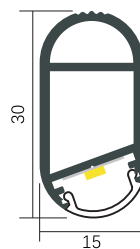
- Profile can be cut to size
- High quality PC cover make light more homogenous
- Installation: Mounted with stainless steel holder
- Aluminium body - AL6063-T5
- PC Cover: Frost, Transparent, Milky
- Range width: within 12mm
- Length: 0.5 to 2.5m

Accessory:

Item No.	Type
EAAP16/M	Milky Cover
EAAP16/F	Frosted Cover

Item No.	Description
EASM09	Rail Support
EASM08	Rail Support

EAAP27



Features:

- Profile can be cut to size
- Special design for wardrobe, can load over 20kg.
- Installation: Surface mounted.
- Aluminium body - AL6063
- PC Cover: Frosted or Milky
- Range width: within 12mm
- Length: 0.5 to 2.5m

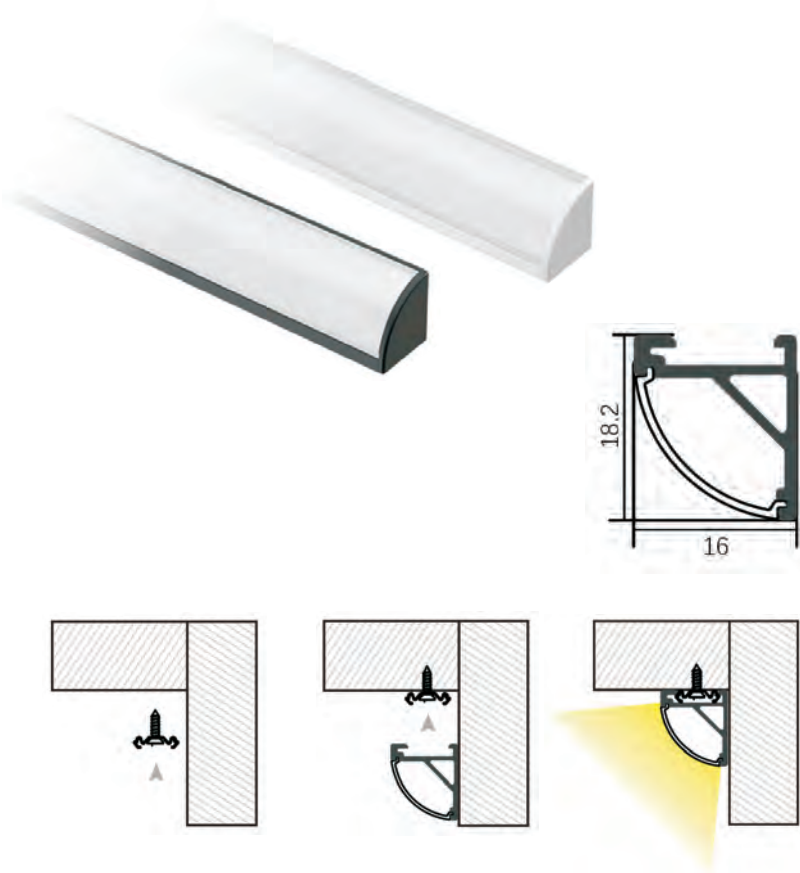
Accessory:

Item No.	Type
EAAP27/M	Milky Cover
EAAP27/F	Frosted Cover

Item No.	Description
EASM09	Rail Support
EASM08	Rail Support

Application: Furniture lighting, store shelf lighting, window display light, stair light, cabinet shelves, display cabinet, wine cabinet

EAAP70



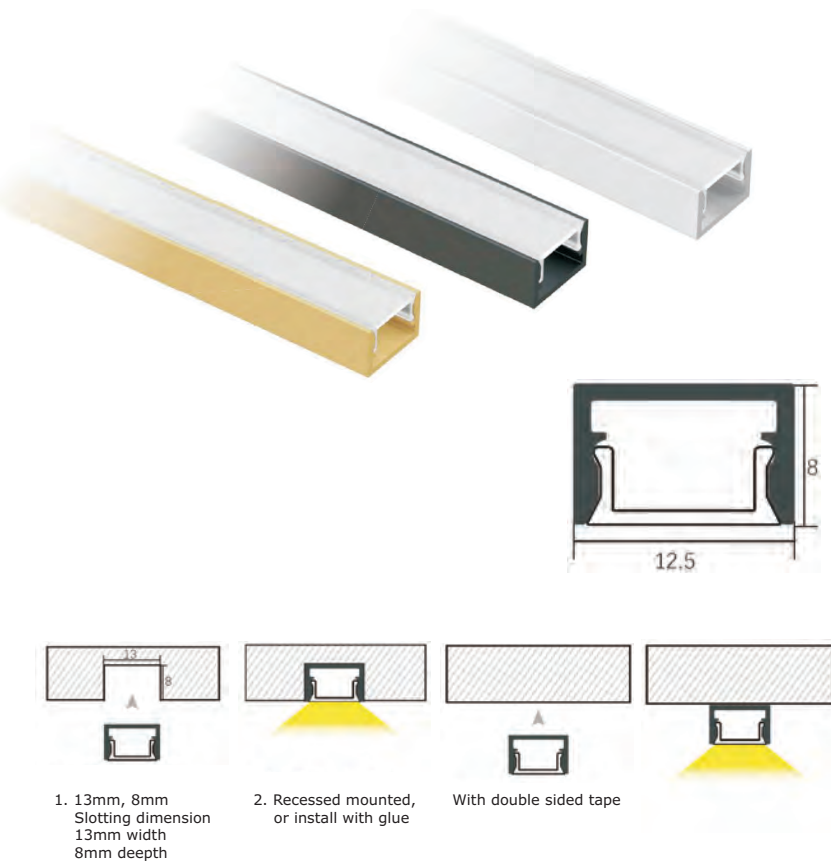
Features:

- Profile can be cut to size
- High quality PC cover make light more homogenous
- 5mm Shining upward and downwards for rear board
- Aluminium body - AL6063
- Comes with 3M VHB tape, easy installation
- Color: Silver, Black
- Size: 16x18.2mm
- Length: 0.5 to 2.5m

Application:

- For shelves, display cabinet, kitchen cabinet, wine cabinet etc.

EAA72



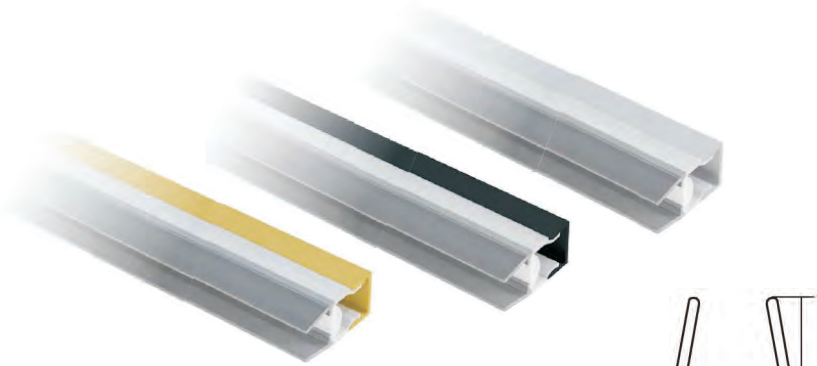
Features:

- Profile can be cut to size
- High quality PC cover make light more homogenous
- 8mm Ultra-thin design, only 8mm without edge
- Aluminium body - AL6063
- Comes with 3M VHB tape, easy installation
- Color: Silver, Black, Champagne Gold
- Size: 12.5x8mm
- Length: 0.5 to 2.5m

Application:

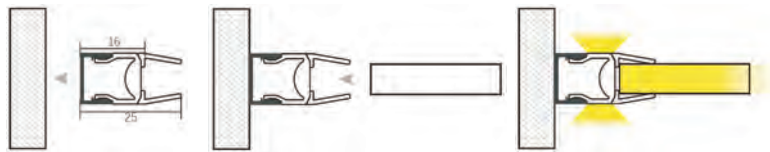
- For shelves, display cabinet, kitchen cabinet, wine Cabinet etc.

EAAP72B



Features:

- Profile can be cut to size
- No visible light dots, Uniform and soft
- Suitable for 6-8mm thick plate glass or acrylic plate
- Anodise surface, fine and superior
- PC cover for straight glowing is available
- Aluminium body - AL6063
- Color: Silver, Black, Champagne Gold
- Size: 12.5x25mm
- Length: 0.5 to 2.5m

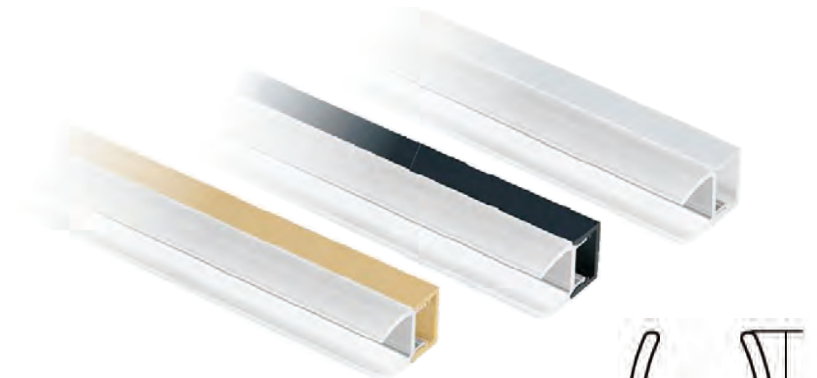


1. Cut 16mm width of the glass board
2. 6-8mm Thickness of glass board
3. Clamp the glass, or fix with double side tape

Application:

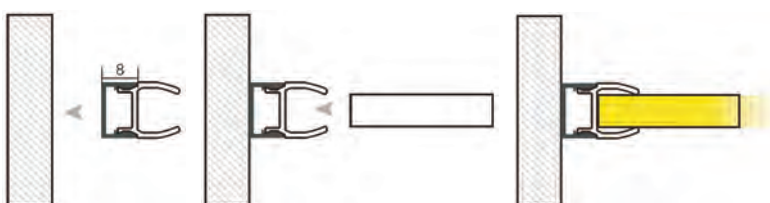
- For shelves, display cabinet, kitchen cabinet, wine cabinet etc.

EAAP72H



Features:

- Profile can be cut to size
- No visible light dots, Uniform and soft
- Suitable for 6-8mm thick plate glass or acrylic plate
- Anodise surface, fine and superior
- PC cover for straight glowing is available
- Aluminium body - AL6063
- Color: Silver, Black, Champagne Gold
- Size: 12.5x17.5mm
- Length: 0.5 to 2.5m

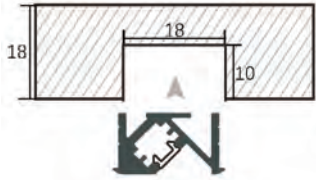
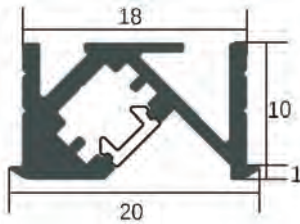


1. Cut 16mm width of the glass board
2. 6-8mm Thickness of glass board
3. Clamp the glass, or fix with double sided tape

Application:

- For shelves, display cabinet, kitchen cabinet, wine Cabinet etc.

EAAP82



1. Slotting dimensions 18mm width
10mm Depth



2. Recessed mounted, or install with glue



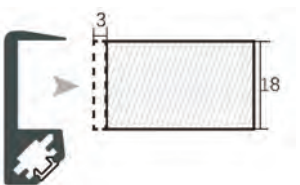
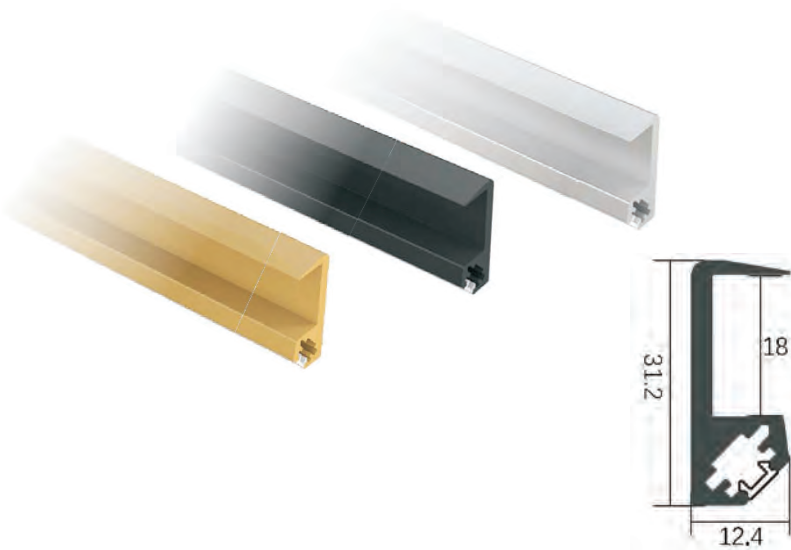
Features:

- Profile can be cut to size
- 45° angle shines into the cabinet
- Recessed lighting for superior luminous effect
- Aluminium body - AL6063
- Color: Silver, Black, Champagne Gold
- Size: 20x18mm
- Length: 0.5 to 2.5m

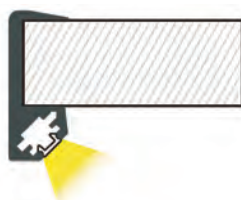
Application:

- For shelves, display cabinet, kitchen cabinet, wine cabinet, wardrobe etc.

EAAP83



1. Cut 3mm thick of the board to parallel other boards



2. Clamp 18mm thick board, or install with glue



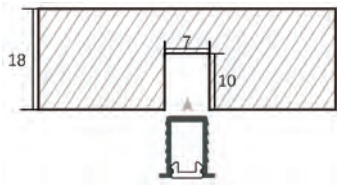
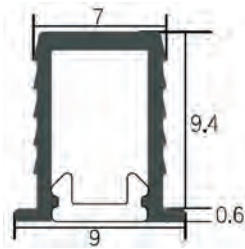
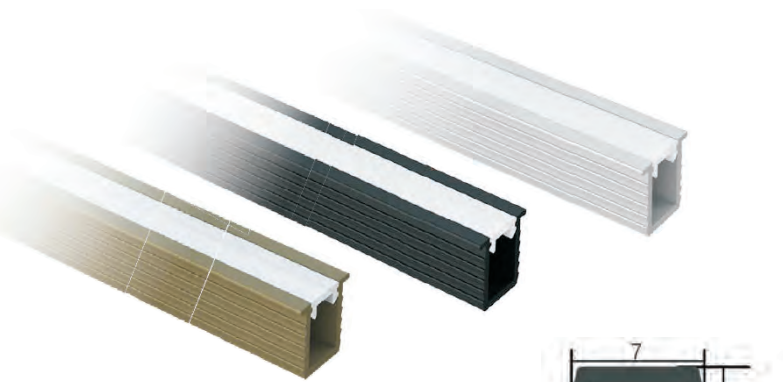
Features:

- Profile can be cut to size
- Clamping the front of the 18mm thick board, 45° angle shines into the cabinet
- Recessed lighting for superior luminous effect
- Aluminium body - AL6063
- Color: Silver, Black, Champagne Gold
- Size: 12.4x31.2mm
- Length: 0.5 to 2.5m

Application:

- For shelves, display cabinet, kitchen cabinet, wine Cabinet etc.

EAAP86



1. Slotting dimension 18mm width
8mm depth



2. Recessed mounted, or install with glue

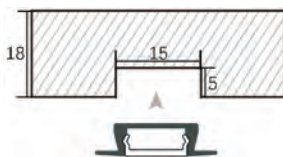
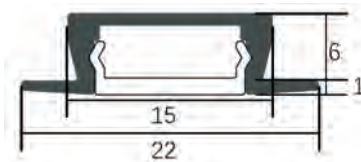
Features:

- Profile can be cut to size
- Ultra-narrow luminous surface, only 5mm width
- Ultra-thin 0.6mm thick edge, easy to hide and install
- No visible light dots, uniform and soft lighting
- Aluminium body - AL6063
- Color: Silver, Black, Champagne Gold
- Size: 9x7mm
- Length: 0.5 to 2.5m

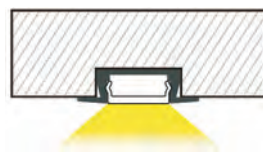
Application:

- For shelves, display cabinet, kitchen cabinet, wine cabinet, wardrobe etc.

EAAP87



1. Slotting dimension 15mm width
5mm depth



2. Recessed mounted
or install with glue



Slotting length is the total length of the light minus 18mm

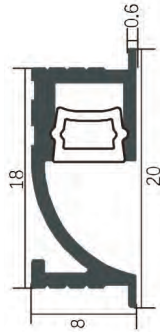
Features:

- Profile can be cut to size
- Ultra-thin design, Slot depth is only 5mm
- PC cover is snap fit
- Hand wave sensor is available
- Aluminium body - AL6063
- Color: Silver, Black
- Size: 22x6mm
- Length: 0.5 to 2.5m

Application:

- For shelves, display cabinet, kitchen cabinet, wine Cabinet, wardrobe etc.

EAAP89

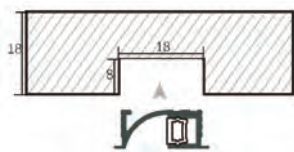


Features:

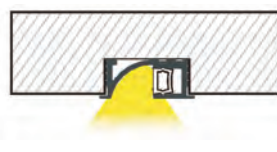
- Profile can be cut to size
- Use curvy design to guide light source, creating soft illumination
- Ultra-thin 8mm thick design for various applications
- Ultra thin 0.6mm tick edge, integrating with the cabinet
- Aluminium body - AL6063
- Color: Black, Champagne Gold
- Size: 20x8mm
- Length: 0.5 to 2.5m

Application:

- Ambient illumination. For display cabinet, Kitchen cabinet, wardrobe, wine cabinet, etc



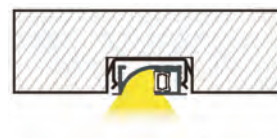
1. Slotting dimension 18mm width
8mm depth



2. Recessed mounted, or install with glue

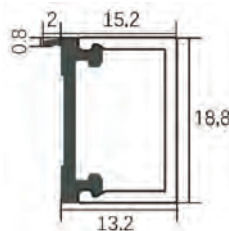
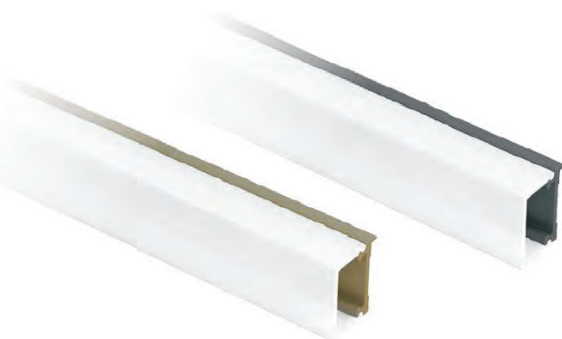


1. Slotting dimension 18mm width
8mm depth



2. Install the elastic piece,
and then insert it into the slot

EAAP90

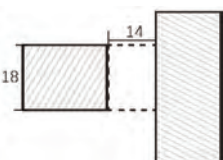


Features:

- Profile can be cut to size
- Shining upwards and downwards for rear board
- Perfect for 18mm thick board
- Comes with VHB 3M tape, easy installation
- No slot opening, punch on the PC cover
- Aluminium body - AL6063
- Color: Black, Champagne Gold
- Size: 18.8x13.2mm
- Length: 0.5 to 2.5m

Application:

- Ambient illumination. For display cabinet, wardrobe, wine cabinet, bookshelf, etc

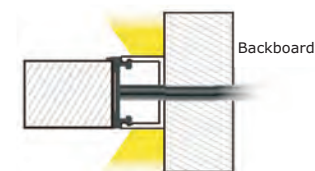


1. Cut 14mm width of the rear board

Edge for auxiliary fixation



2. Split the VHB tape

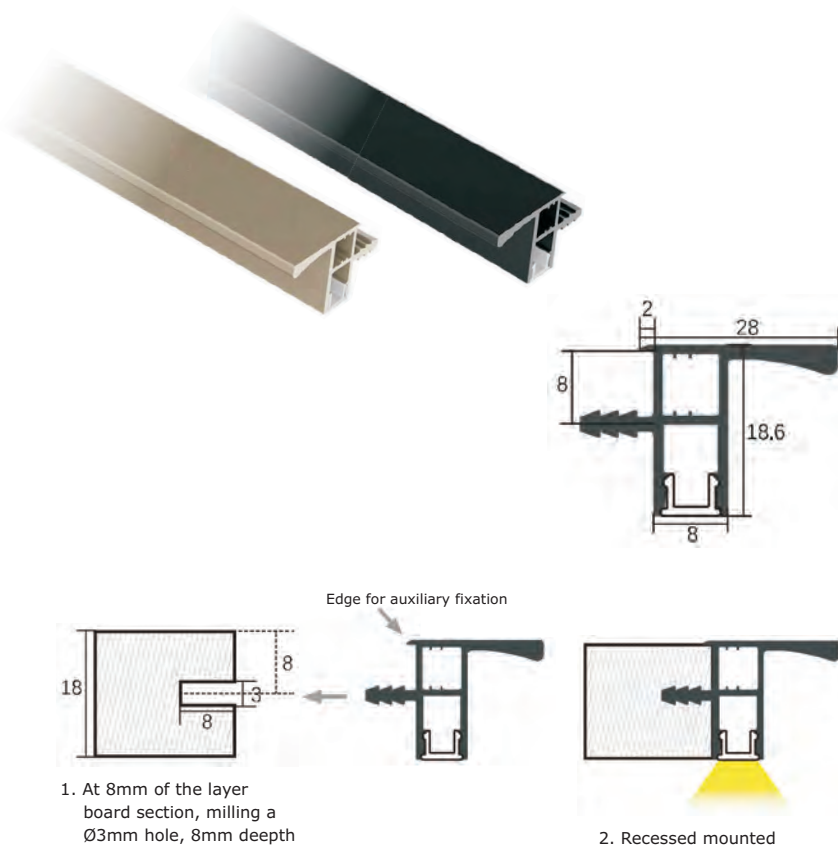


Backboard



Punch on the PC cover for wiring
through back board

EAAP91 - LED with Handle Profile



1. At 8mm of the layer board section, milling a Ø3mm hole, 8mm depth

2. Recessed mounted



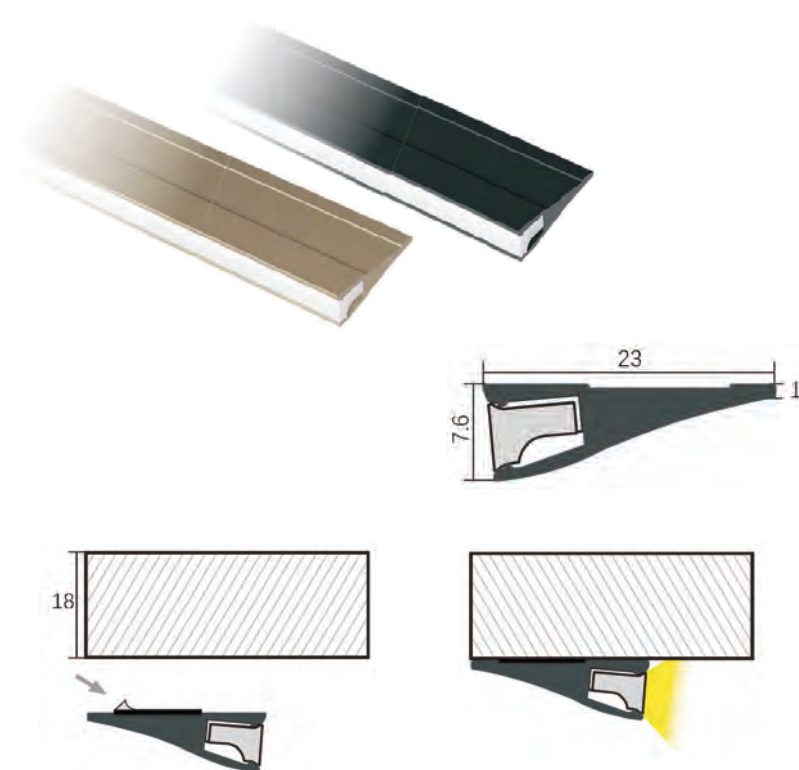
Features:

- Profile can be cut to size
- Free handle design with curvy surface
- Ultra-thin design by matching with 5mm width light strip
- No visible light dots, uniform and soft lighting
- Suitable for 18mm thick board
- Aluminium body - AL6063
- Color: Black, Champagne Gold
- Size: 18.6x8mm
- Length: 0.5 to 2.5m

Application:

- Ambient illumination. For display cabinet, Kitchen cabinet, wardrobe, wine cabinet, etc

EAAP92



1. Install in the front of the board with 3M VHB tape



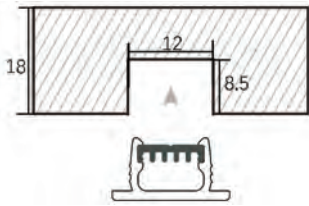
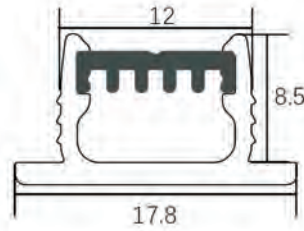
Features:

- Profile can be cut to size
- Thinnest part in only 1mm thick, comfortable touching with curve surface
- Hidden light design, 30° angle shines into the cabinet
- Comes with VHB 3M tape, easy installation
- Surface mounted with double sided tape, no slot opening
- Aluminium body - AL6063
- Color: Black, Champagne Gold
- Size: 23x7.6mm

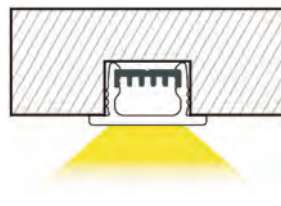
Application:

- Ambient illumination. For display cabinet, wardrobe, wine cabinet, bookshelf, etc

EACV16L



1. Slotting dimension 18mm width, 8mm depth



2. Recessed mounted, or install with glue



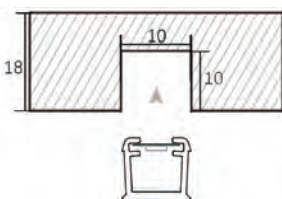
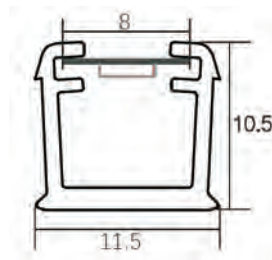
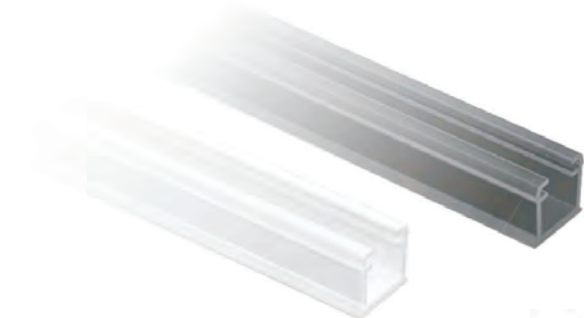
Features:

- Profile can be cut to size
- PC cover contains the edge
- Hand wave sensor is available
- Can be used for decorative illumination
- Aluminium body - AL6063
- Color: Silver, Black
- Size: 17.8x8.5mm
- Length: 0.5 to 2.5m

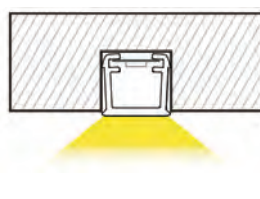
Application:

- Ambient illumination. For display cabinet, Kitchen cabinet, wardrobe, wine cabinet, etc

EACV16S



1. Slotting dimension 10mm width, 10mm depth



2. Recessed mounted



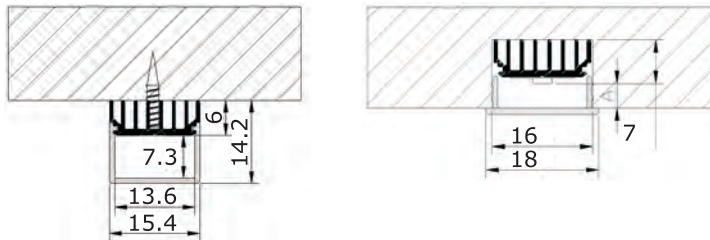
Features:

- Profile can be cut to size
- Full PC cover design
- High-quality matte surface treatment, excellent texture
- Embed the 8mm width light strip, easy and efficient
- Milky white and dark grey are available
- Aluminium body - AL6063
- Color: Silver, Black
- Size: 11.5x8mm

Application:

- Decorative illumination. For shopping center, hotel living room, display cabinet, etc

EAAP48



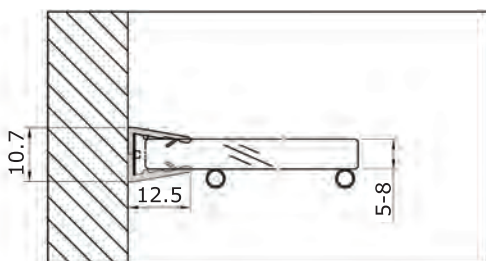
Features:

- Profile can be cut to size
- Surface: Anodized aluminium
- PC Cover: Frost, Transparent, Milky
- Installation: Surface mounted with screw or clip
- Aluminium body - AL6063
- Color: White
- Size: 15.4x7mm
- Length: 0.5 to 2.5m

Application:

- Indoor / Furniture / Store shelf / Window display / Exhibition booth / Cove / Bias etc.

EACV17



Features:

- Material: Plastic
- Uniform luminance
- Transparent design
- Weight capacity : less than 5kg.
- Size: 12.5x10.5mm

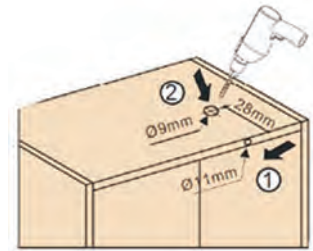
Application:

- Indoor / Furniture / Store shelf / Window display / Exhibition booth / Cove / Bias etc.

EAID01

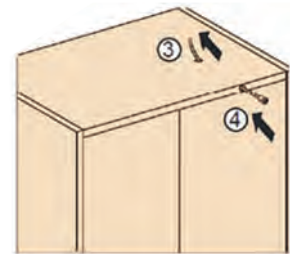
Features:

- Single door sensor switch
- Dimension: Ø15mmx12mm
- Working voltage: 12V-24V
- Current loading: Max 3A
- Sensor range: 30-80mm (Brown board)
- Standby power: 0.2W
- Installation: Recessed mounted
- Power: 12V-30W


EAID05

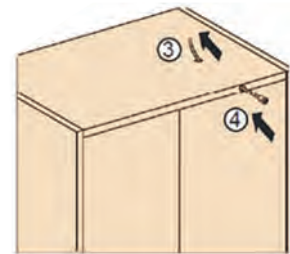
Features:

- Double door sensor switch
- Dimension: Ø15mmx12mm
- Working voltage: 12V-24V
- Current loading: Max 3A
- Sensor range: 30-80mm (Brown board)
- Standby power: 0.2W
- Installation: Recessed mounted
- Power: 12V-30W


EAID08

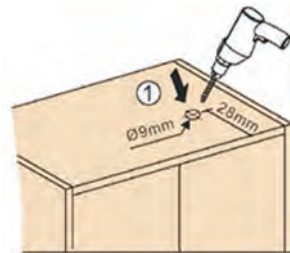
Features:

- Three door sensor switch
- Dimension: Ø15mmx12mm
- Working voltage: 12V-24V
- Current loading: Max 3A
- Sensor range: 30-80mm (Brown board)
- Standby power: 0.2W
- Installation: Recessed mounted
- Power: 12V-30W


EAID02

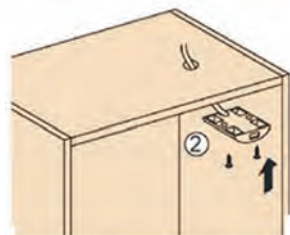
Features:

- Single door sensor switch
- Dimension: 30mmx23mmx7.5mm
- Working voltage: 12V-24V
- Current loading: Max 3A
- Sensor range: 30-80mm (Brown board)
- Standby power: 0.2W
- Installation: Surface mounted
- Power: 12V-30W


EAID06

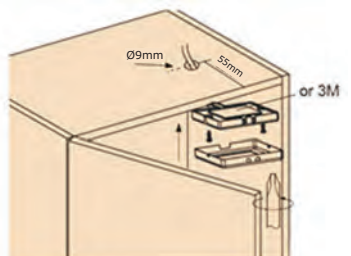
Features:

- Double door sensor switch
- Dimension: 30mmx23mmx7.5mm
- Working voltage: 12V-24V
- Current loading: Max 3A
- Sensor range: 30-80mm (Brown board)
- Standby power: 0.2W
- Installation: Surface mounted
- Power: 12V-30W


EAID03

Features:

- Single door sensor switch
- Dimension: 50mmx50mmx7.5mm
- Working voltage: 12V-24V
- Current loading: Max 3A
- Sensor range: 30-80mm (Brown board)
- Standby power: 0.2W
- Installation: Surface mounted
- Power: 12V-30W



EAIH01



Features:

- Dimension: Ø15mmx12mm
- Working voltage: 12V-24V
- Current loading: Max 3A
- Sensor range: 30-100mm (Brown board)
- Standby power: 0.2W
- Installation: Recessed mounted
- Power: 12V-30W



EAIH02



Features:

- Dimension: 30mmx23mmx7.5mm
- Working voltage: 12V-24V
- Current loading: Max 3A
- Sensor range: 30-100mm (Brown board)
- Standby power: 0.2W
- Installation: Surface mounted
- Power: 12V-30W

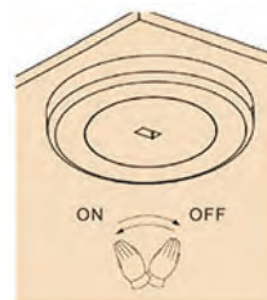


EAIH03



Features:

- Dimension: Ø55mmx8mm
- Working voltage: 12V-24V
- Current loading: Max 3A
- Sensor range: 30-100mm (Brown board)
- Standby power: 0.2W
- Installation: Surface mounted
- Power: 12V-30W



EAIH04



Features:

- Dimension: 50mmx50mmx8mm
- Working voltage: 12V-24V
- Current loading: Max 3A
- Sensor range: 30-100mm (Brown board)
- Standby power: 0.2W
- Installation: Surface mounted
- Power: 12V-30W

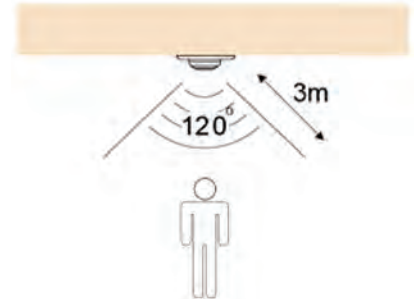


EAPR01



Features:

- Dimension: Ø18mmx12mm
- Working voltage: 12V-24V
- Bearing loading: Max 3A
- Inductive distance: Max 3m
- Standby power: 0.01W
- Installation: Recessed mounted
- Power: 12V-30W

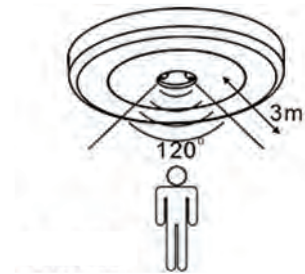


EAPR02



Features:

- Dimension: Ø55mmx8mm
- Working voltage: 12V-24V
- Bearing loading: Max 3A
- Inductive distance: Max 3m
- Standby power: 0.01W
- Installation: Recessed mounted
- Power: 12V-30W

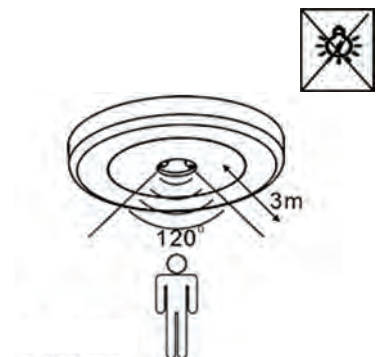


EAPR02S Light Sensor



Features:

- Dimension: Ø55mmx8mm
- Working voltage: 12V-24V
- Bearing loading: Max 3A
- Inductive distance: Max 3m
- Standby power: 0.01W
- Installation: Recessed mounted
- Working environment: Dark scene
- Power: 12V-30W

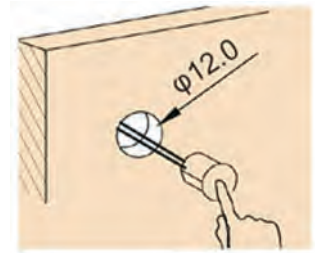


EATS01



Features:

- Dimension: Ø15mmx25mm
- Working voltage: 12V-24V
- Bearing current: Max 3A
- The way of dimmer: 1 Switch, 2 Subsection, 3 circulation
- Standby power: 0.01W
- Installation: Recessed mounted
- Power: 12V-30W

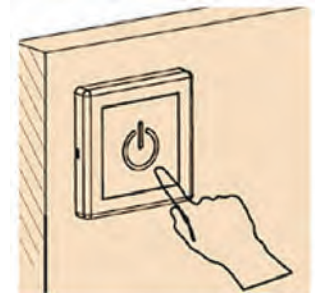


EATS02



Features:

- Dimension: 50mmx50mmx8mm
- Working voltage: 12V-24V
- Bearing current : Max 3A
- The way of dimmer: 1 Switch, 2 Subsection, 3 circulation
- Standby power: 0.01W
- Installation: Surface mounted
- Power: 12V-30W

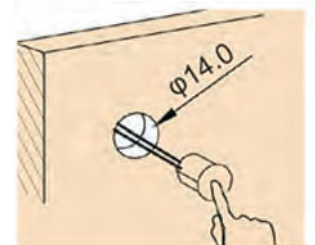


EATS03



Features:

- Dimension: Ø18mmx26mm
- Working voltage: 12V-24V
- Bearing current : Max 3A
- The way of dimmer: 1 Switch, 2 Subsection, 3 circulation
- Standby power: 0.01W
- Installation: Recessed mounted
- Power: 12V-30W



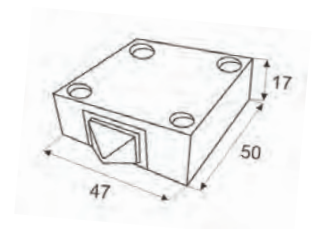
EAID13

Built in switch universal push button



Features:

- 240V-AC
- Material: Plastic
- Finish: Black



EACC27

Extension Cable



EAL806-6

Distribution Cable



Specification:

Item no.	EACC27	EALB06-6
Description	JST female/male plug for DC 12V system	JST 6 way distributor box for DC 12V system
Dimensions	Female (25x7x6mm)	41.5x38x10mm
	Male (15x5x2.6mm)	

1. With the female and male DC12V connector system , it is easier to connect the LED driver and LED lamps, and extending distance from the LED driver to LED lamps (the lead cable max 6M).
2. With the 3/6 way paralleling distributor box, up to 2- 3/6 additional lights can be added from one LED driver.

EADR15 (12V-18W) Driver



Power output	18W
Input	100~240V,50~60HZ
Output	DC12V
Color	White/Black
Demension (LxWxHmm)	110x44.5x15mm

EADR35 (12V-35W) EADR60 (12V-60W)

Driver with distribution box

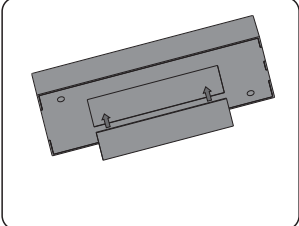


Item No.	EADR35-12V	EADR60-12V
Power output	35W	60W
Input	100~240V,50~60HZ	
Output	DC12V	DC12V
Color	White/Black	
Demension (LxWxHmm)	110x44.5x15mm	149x44.5x15mm

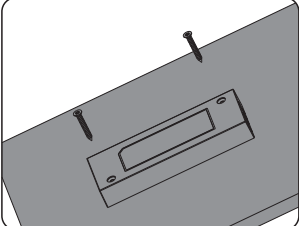
LED Driver System

Installation Steps

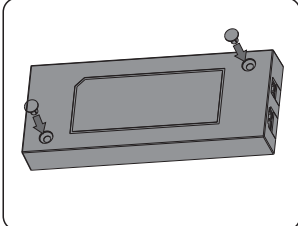
- 1**



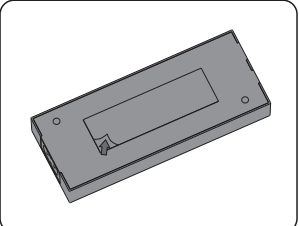
Post the 3M tape (0.4mm) on the bottom of the driver.
- 1A**



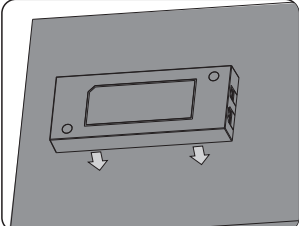
Fix the driver onto the suitable place with screws.
- 2**



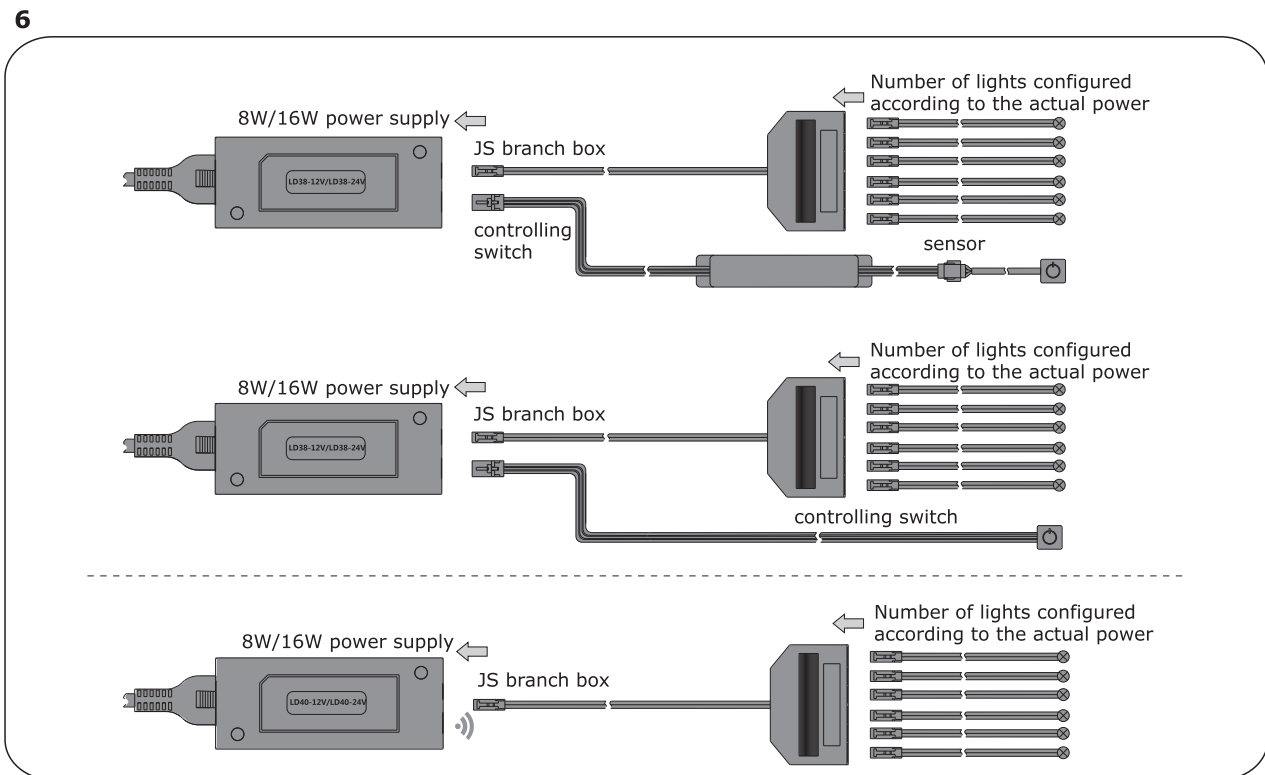
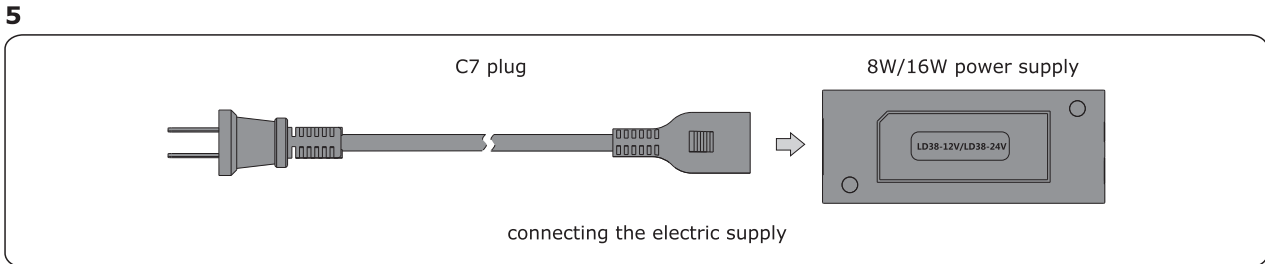
Press the screw caps into the screw holes on the top of the driver.
- 3**



Tear off the protective foil of the adhesive tape.
- 4**



Adhere the driver onto the proper position.



LED Driver Power Supply

EALD68

20W ultra-thin



LD69

36W ultra-thin

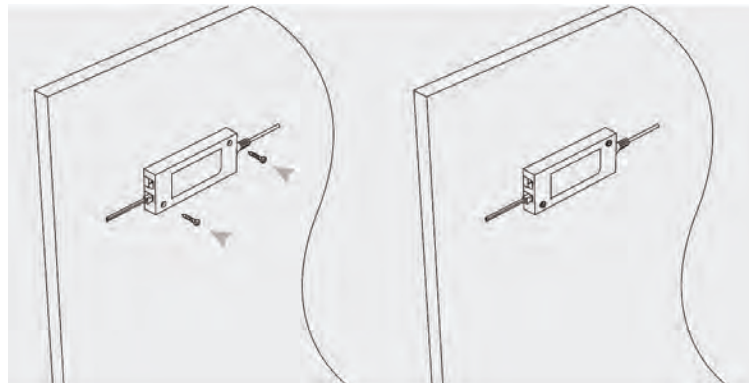


EALD70

60W ultra-thin

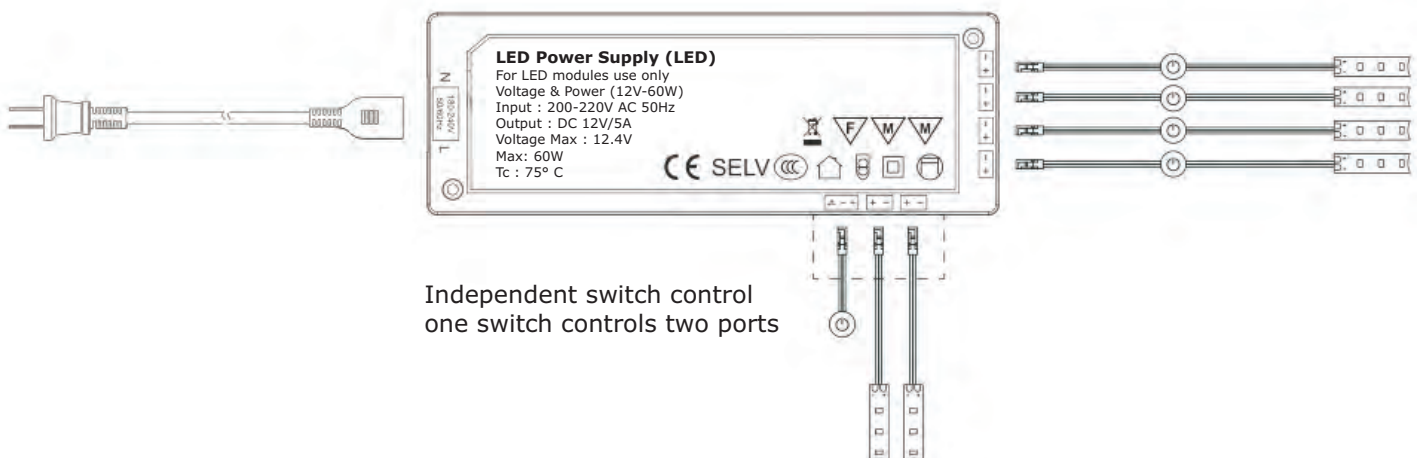


Installation



Fixing Screws

Item no.	Input Voltage	Output Voltage	Power	Interference Quantity	Dimension	Function options
EALD68	200-220V	12V	20W	6+1	120x60x16mm	Total control & sub control
EALD69	100-240V	12V	36W	6+1	140x60x16mm	
EALD70	100-240V	12V	60W	6+1	170x60x16mm	



Intelligent driver for led lights



LED Driver Power Supply

EALD40

8W LED
8W LED Power Supply



EALD41

18W LED
18W LED Power Supply



EALD42

50W LED
50W Ultra-thin LED Power Supply



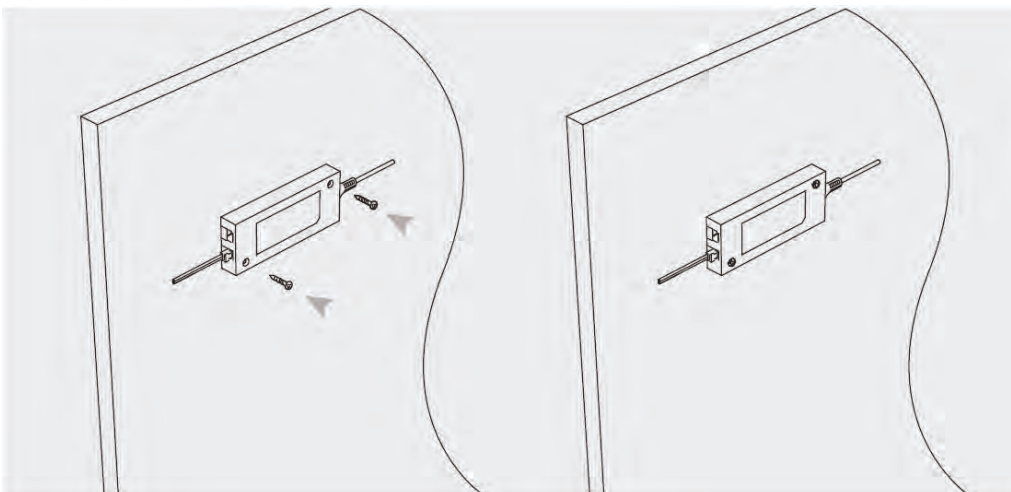
EALD43

90W LED
90W Ultra-thin LED Power Supply

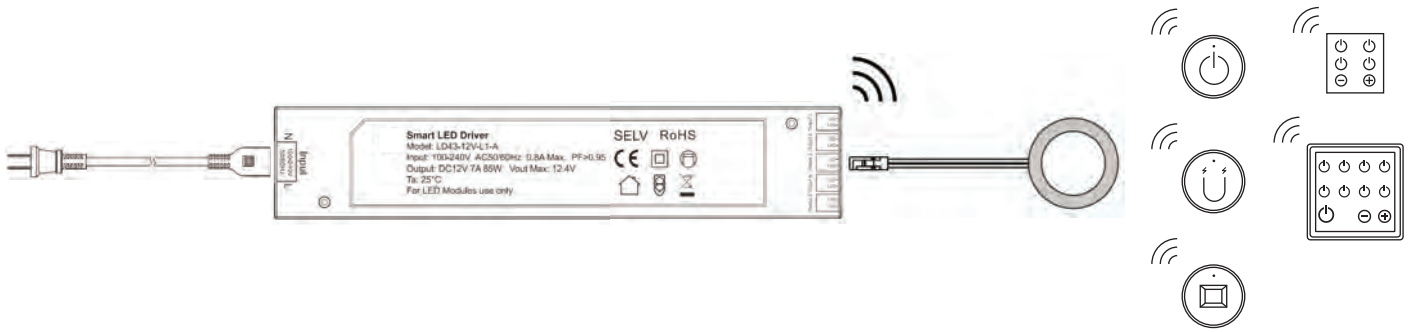


Item no.	Input Voltage	Output Voltage	Power	Interference Quantity	Dimension	Function options
EALD40	100-240V	12V	8W	1	111x44.5x15mm	Supporting wire & Dual color temperature control
EALD41	100-240V	12V	18W	1	149x44.5x15mm	
EALD42	100-240V	12V	50W	3	308x44x16mm	
EALD43	100-240V	12V	90W	5	308x60x16mm	

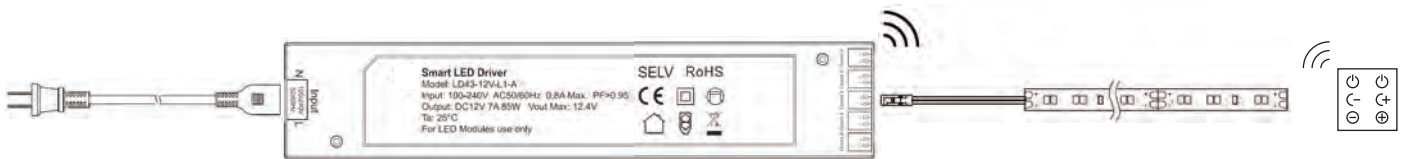
Installation



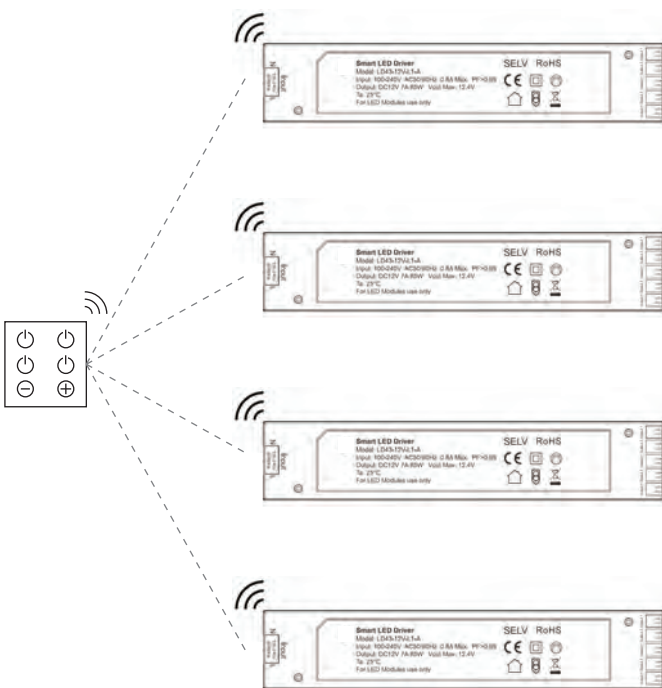
Wireless Connection Solution



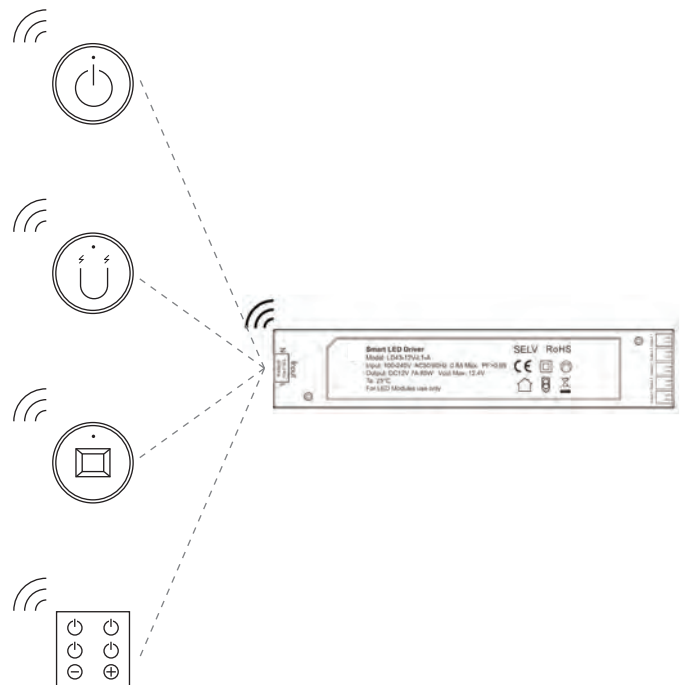
Wireless Connection Solution for multi white



One to many



Many to one



Wireless Sensor Switches



EATS14
Wireless touch sensor switch



EAPR08
Wireless P.I.R. sensor switch



EAID11
Wireless door sensor switch (Magnetic)

Item no.	Dimensions	Power supply	Control numbers	Battery working time
EATS14	Ø40xH16mm	CR3032 Battery	256 Power supplies	12-24 Months
EAPR08	Ø40xH16mm	CR3032 Battery	256 Power supplies	12-24 Months
EAID11	Ø40xH16mm	CR3032 Battery	256 Power supplies	12-24 Months

Installation

Recessed mounted

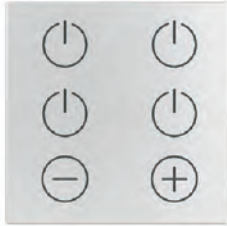


Surface mounted



Wireless Sensor Switches

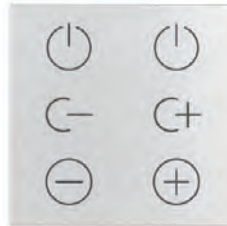
EATS15



EATS24



EATS16



EATS23



EATS20



Wireless dimmer touch pad
(4 Channels)

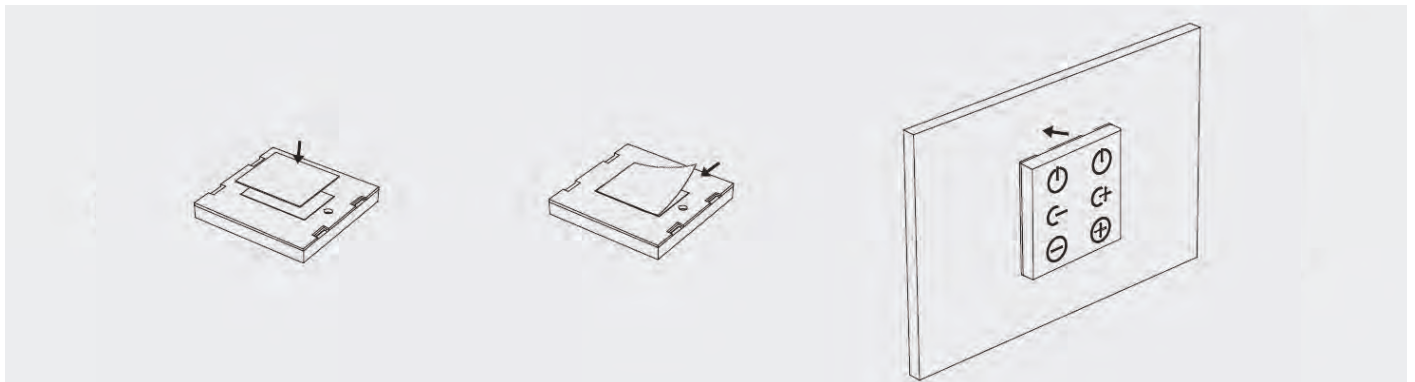
Wireless dual-CCT dimmer touch pad
(2 Channels)

Wireless dimmer touch pad
(8 Channels)

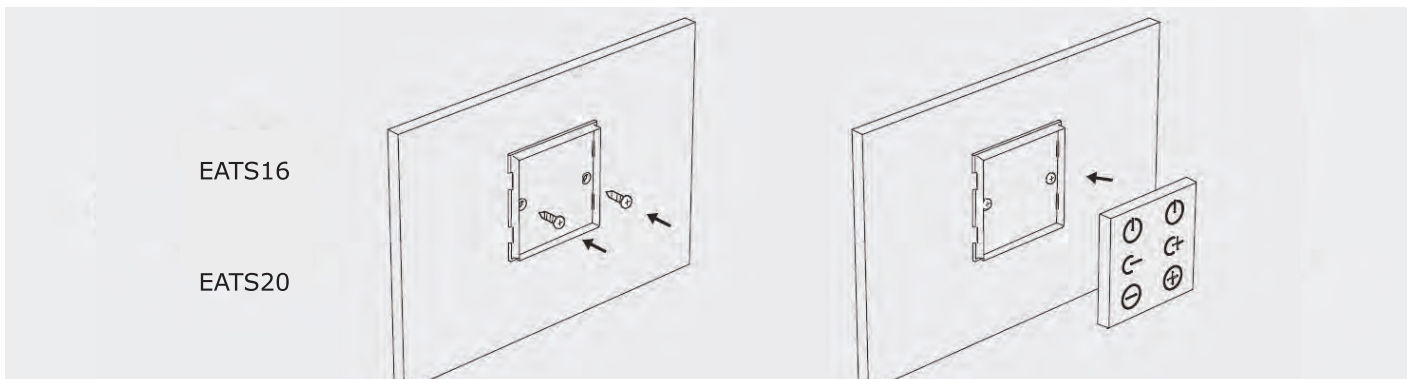
Item no.	Dimensions	Power supply	Control numbers	Battery working time
EATS15	51x51x6.7mm	CR3032 Battery	256 Power supplies	12-24 Months
EATS16	51x51x6.7mm	CR3032 Battery	256 Power supplies	12-24 Months
EATS23	86x40x6.5mm	CR2025 Battery	256 Power supplies	9-18 Months
EATS24	86x40x6.5mm	CR2025 Battery	256 Power supplies	9-18 Months
EATS20	100x100x7mm	5V - 24V	256 Power supplies	

Installation

Double sided tape fixed



Surface mounted



Wireless Receivers



EAWL01-A

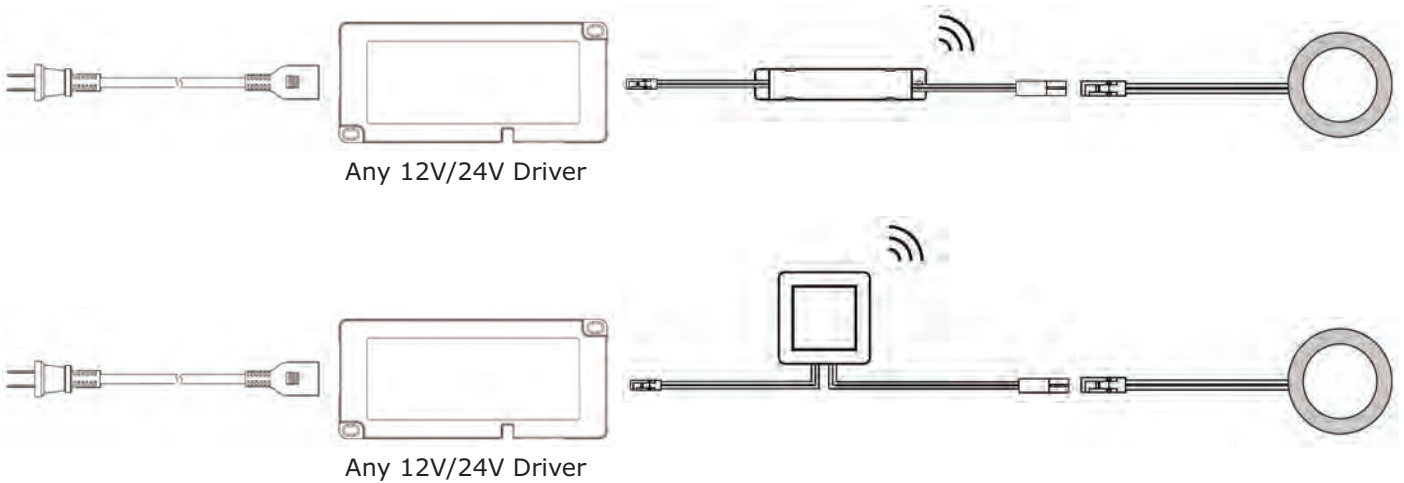
EAWL01-B

EAWL02-12V

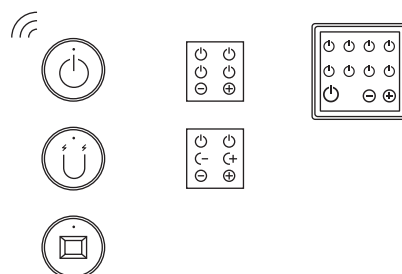
EAWL02-24V

Item no.	Dimensions	Power supply	Control numbers	Battery working time
EAWL01-A	86x15xH8mm	12-24V DC	60W/120W	Wifi dimmer adjust
EAWL01-B	86x15xH8mm	12-24V DC	60W/120W	CCT Adjust (3-pin)
EAWL02-12V	50x50xH8mm	12V DC	60W	CCT Adjust (2-pin)
EAWL02-12V	50x50xH8mm	12V DC	120W	CCT Adjust (2-pin)

Installation



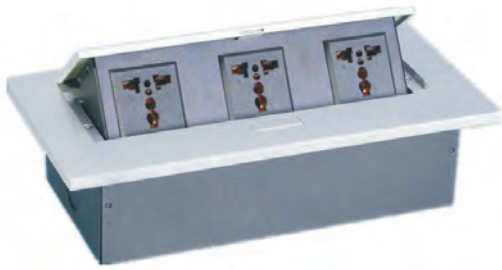
EuroArt Wireless Switches





■ Popup Socket

Pop up socket



Features

- Production dimension: 266x130x67mm
- Cut out dimension: 266x130x7mm
- Material: Zinc alloy & Steel plate.
- Configuration: U.K. power outlet, 3.5mm audio, HDMI, VGA, USB data transfer etc.

Ref.	Description	Finish
EADF-601	Pop up socket	Silver, Black

Automatic Pop up socket



Features

- Panel: Just press the top panel to open and close
- Production dimension: 113mm
- Cut out dimension: 100mm
- Configuration: U.K. power outlet, AUX, HDMI, VGA, USB fast charging etc.

Ref.	Description	Finish
EADF-901	Automatic Pop up socket	Silver

Manual Pull Pop up socket



Features

- Flexible product installation, can be installed in vertical and horizontal.
- Products for the design of the hidden drawing type
- Simple product hole, just a circular hole in the desktop

Ref.	Description	Finish
EADF-913	Manual Pop up socket	Silver, Black

Aluminium brush cable management



Features

- Material: Aluminium alloy
- Surface Treatment: Brushed or Oxidization
- Thickness: 8mm
- Size: 80x80 / 160x80 / 280x80 / 300x80

Ref.	Description	Finish
EADF-GB001	Aluminum brush cable management	Silver



Sales Office

Euro Art (UK) LTD.
69 Staverton Road, London
NW2 5HA

Warehouse

Brittania Mills Didsbury Street
Blackburn Lancashire, BB1 3JL
United Kingdom

T.: +44 1254 433883
M.: +44 787 565 1180
E.: uk@euro-art.co.uk

Oman Sales Office

Al Ghala, Muscat
T.: +968 24 117 173
M.: +968 77 027 925
E.: oman@euro-art.co.uk

Middle East, Asia & Africa

Euro Art (Middle East) FZCO
Warehouse ZE4
Jebel Ali Free Zone
Dubai, UAE

T.: +971 4 888 6345
M.: +971 50 297 9761
E.: me@euro-art.co.uk

Design Centers

Dubai: Airport Road
T.: +971 4 295 1105
M.: +971 54 990 7059
E.: me@euro-art.co.uk

Abu Dhabi: Najda Street
T.: +971 2 564 7111
M.: +971 50 209 9786
E.: ad@euro-art.co.uk

Doha: Barwa Village
T.: +974 4 490 7530
M.: +974 7 733 5728
E.: qatar@euro-art.co.uk

UAE Distribution Center

Mobility General Trading LLC
Industrial Area, Behind Al Khail
Mall, Al Quoz
Dubai, UAE

T.: +971 4 269 3832
M.: +971 50 811 9561
E.: sc@euro-art.co.uk

Saudi Office (KSA)

Mobility Arabia Trading
Company (EuroArt)
Manar Business Center,
Khalid Bin Walid Street,
Rakah Shamaliyah,
Dammam 34224, Saudi
Arabia

M.: +966 55 524 0620
E.: ksa@euro-art.co.uk

www.euro-art.co.uk