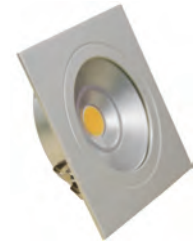


## LED Cabinet light



**EACB07**

**EACB20**



**Features:**

- Material: Anodized Aluminium
- Size: Ø65mm x H13mm
- Cutout: Ø58-60mm
- Color: Silver, Black
- LED chip: 1 pcs 3W COB

**Features:**

- Material: Anodized Aluminium
- Size: 65mm x 65mm x H20mm
- Cutout: Ø58-60mm
- Color: Silver, Black
- LED chip: 1 pcs 3W COB

**Specification:**

Power consumption	Power Input	Lum@3000K	Flux@1M	CRI
3W	DC12-24V	260lm	54lx	≥90

If input AC100-240V, need to add external LED driver (LD38/LD39)

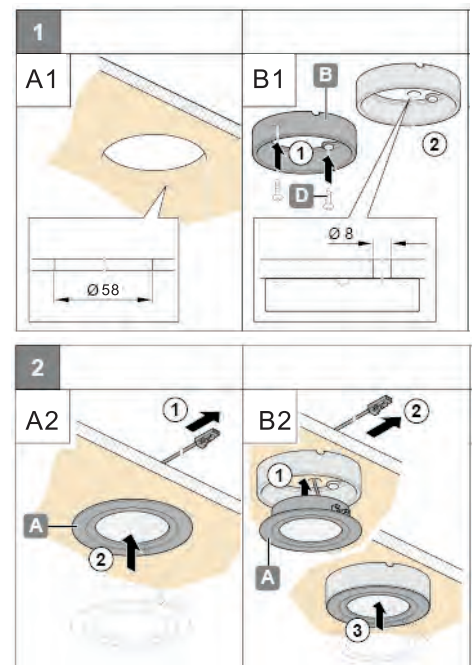
**Vertical&Horizontal Beamwidth      Center Beam Lux**

	105.5°	3000K	4000K	6000K
0.3m	78.90cm	206/607LX	237/641LX	271/669LX
1.0m	263.01cm	19/54LX	28/65LX	39/77LX
1.5m	394.52cm	8/24LX	17/33LX	26/44LX
2.0m	526.03cm	4/14LX	8/19LX	13/25LX
3.0m	789.04cm	2/6LX	6/11LX	11/16LX

**Accessory**

Product Name	Item No	Photo
Surface Ring	EASM01	

LED driver, cable and connector



**Applications:**

Design for cabinet / Showcase / Shop area illumination