

LED Mini Cabinet Puck light



EACB09

EACB21



Features:

- Material: Anodized Aluminium
- Size: Ø65mm x H13mm
- Cutout: Ø58-60mm
- Color: Silver, Black
- LED chips: 24pcs 3014

Features:

- Material: Anodized Aluminium
- Size: 65mm x 65mm x H13mm
- Cutout: Ø58-60mm
- Color: Silver, Black
- LED chips: 24pcs 3014

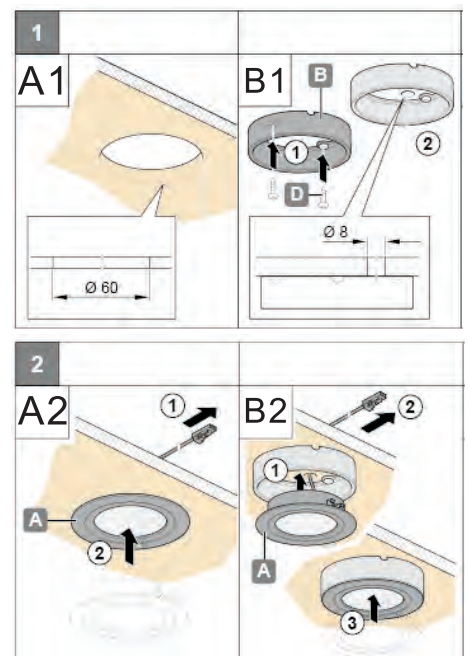
Specification:

Power consumption	Power Input	Lum@3000K	Flux@1M	CRI
3W	DC12V	210lm	54lx	≥90

If input AC100-240V, need to add external LED driver (LD38/LD39)

Vertical&Horizontal Beamwidth Center Beam Lux

	105.5°	Center Beam Lux		
		Warm	Cool White	Day Light
0.3m	78.90cm	206/607LX	237/641LX	271/669LX
1.0m	263.01cm	19/54LX	28/65LX	39/77LX
1.5m	394.52cm	8/24LX	17/33LX	26/44LX
2.0m	526.03cm	4/14LX	8/19LX	13/25LX
3.0m	789.04cm	2/6LX	6/11LX	11/16LX



Accessory

Product Name	Item No	Photo
Surface Ring	EASM01	

LED driver, cable and connector

Applications:

Design for cabinet / Showcase / Shop area illumination