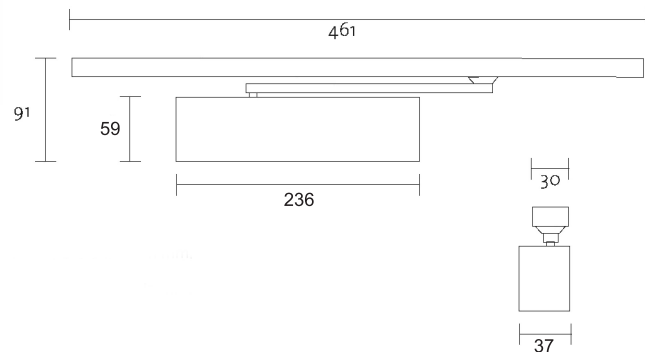


DC9024


With SSS cover and arm


Finish: Silver, SSS

Product specification

Power size (adjustable by spring)

EN2	Optional
EN3	Yes
EN4	Optional
Mechanism	Cam action
Adjustable closing speed	Yes
Adjustable latch action	Yes
Maximum door width (mm)	1100
Maximum door weight (kg)	100
Opening angle	120°
Tested to BS EN 1154: 1997	Yes
CE marked	Yes
LH and RH doors - universal application	Yes
Fire rated (BS EN 1634-1: 2000)	Yes

Note: push or pull side of the door subject to rebate distances.

Features

- Uniform appearance through out the entire slide channel range
- Height adjustable standard slide channel
- Mechanically secured cover
- Simple, fast installation
- Inexpensive cam-action technology for standard interior doors
- Exceptional ease of use and fully controlled closing action
- Optimum adaptability of the closing speed with reliable latching
- Hold open unit available

BS EN 1154 Classification

3	8	4 2	1	1	3
---	---	--------	---	---	---