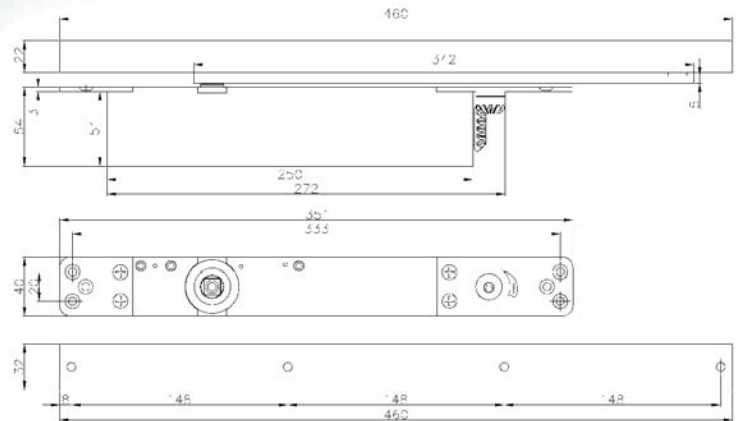
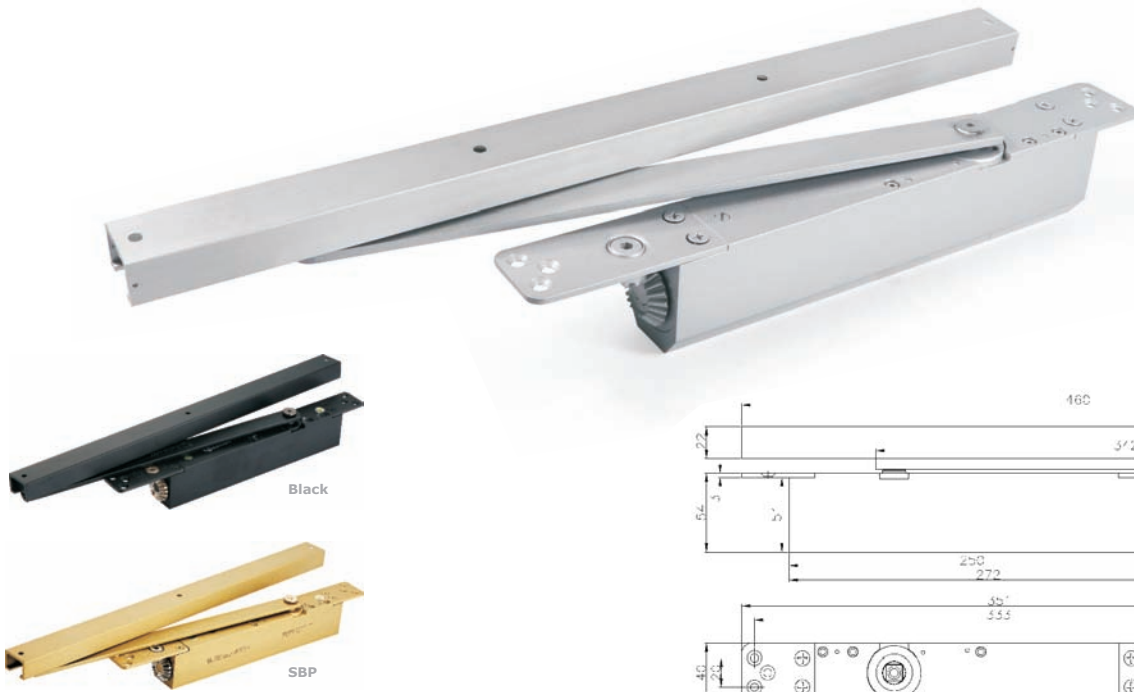


DC3036BC

Finish: SBP, MABP, MBL

Product Specification

Power size (adjustable by spring)

EN3	Yes
EN4	Yes
EN5	Yes
EN6	Yes
Mechanism	Cam action
Adjustable closing speed	Yes
Adjustable latch action	Yes
Adjustable back check	Yes
Maximum door width (mm)	1400
Maximum door weight (kg)	170
Minimum door thickness required (mm)	54
Opening angle	150°
LH and RH doors - universal application	Yes

Note: push or pull side of the door subject to rebate distances.

Features

- Enhanced aesthetics - providing the ability to retain a clean, unhindered appearance to the door and interior
- Totally invisible when the door is closed. Guide rail only visible during opening moment
- Optimum protection against vandalism because of concealed installation
- Can be incorporated within the door pre-fabrication process, allowing complete installation in the factory
- Fully controlled, reliable closing with adjustable latch action
- Tested to Grade 8: 500,000 cycles.
- Hold open unit available

BS EN 1154 Classification

3	8	2 6	1	1	3
---	---	--------	---	---	---