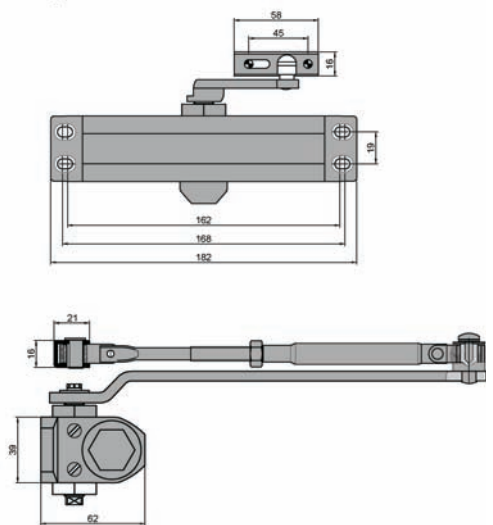


DC1503


Finish: Silver, Gold, White, Black, Brown, Beige


Product specification

Power size (adjustable by position)

EN3	Yes
Mechanism	Rack and pinion
Adjustable closing speed (2 speeds)	Yes
Maximum door width (mm)	950
Maximum door weight (kg)	60
Angle of operation	Grade 4, 160°
LH and RH doors – universal application	Yes

Note: Parallel arm bracket supplied as extra.

Features

- A budget over head door closer for general applications
- Quick and easy to install
- Non-handed, suitable for standard, parallel arm & frame installation
- Fully control closing cycle
- Hold open arm available
- Suitable for 120min fire-rated timber and 240min metal doors
- Tested to Grade 8: 500,000 cycles.

BS EN 1154 Classification

Figure 1 Fitting	4	8	3	1	1	3
Figure 66 Fitting	4	8	3	1	1	3