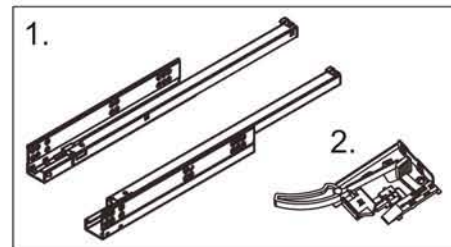
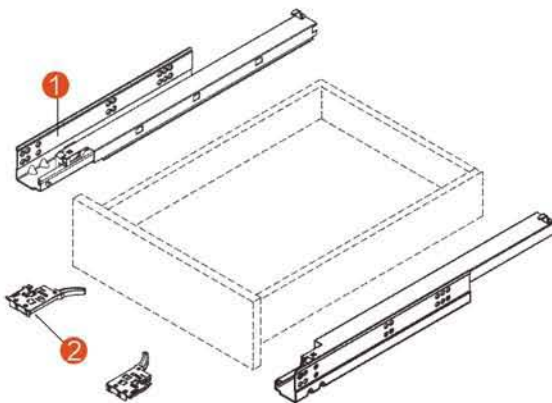
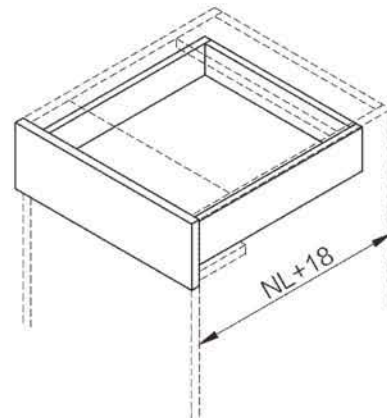



Concealed Full Extension Push-Open Undermount Slide With Locking Brackets
Features:

- Smooth mechanical push-open system
- Quick and easy assembling and dismantling
- Height adjustment 0~+3mm
- Loading capacity 30Kg

Consisting Items:

1. Concealed drawer runners - Left / Right
2. Locking brackets


Kit Package

The Basic components

Space Requirement


| Nominal Length NL | Soft close drawer item no. | Set/Pair |
|-------------------|----------------------------|----------|
| 300mm | CPOR431 | 1 |
| 350mm | CPOR436 | 1 |
| 400mm | CPOR441 | 1 |
| 450mm | CPOR446 | 1 |
| 500mm | CPOR451 | 1 |
| 550mm | CPOR456 | 1 |