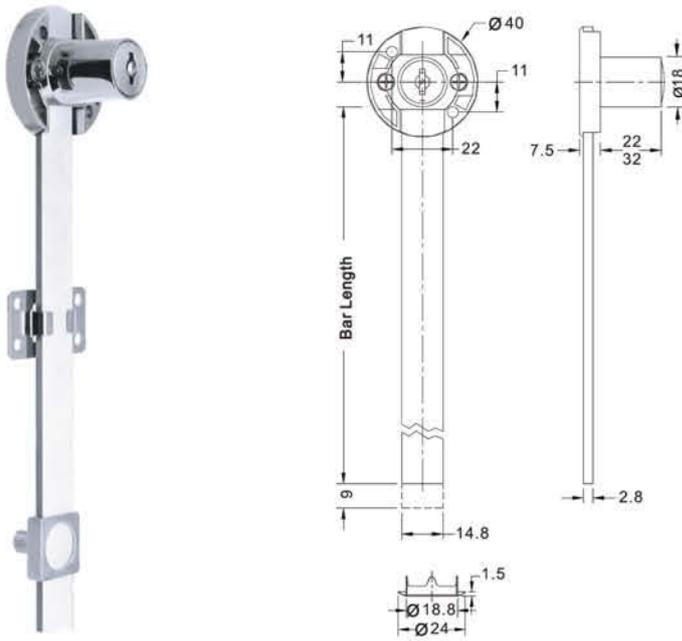
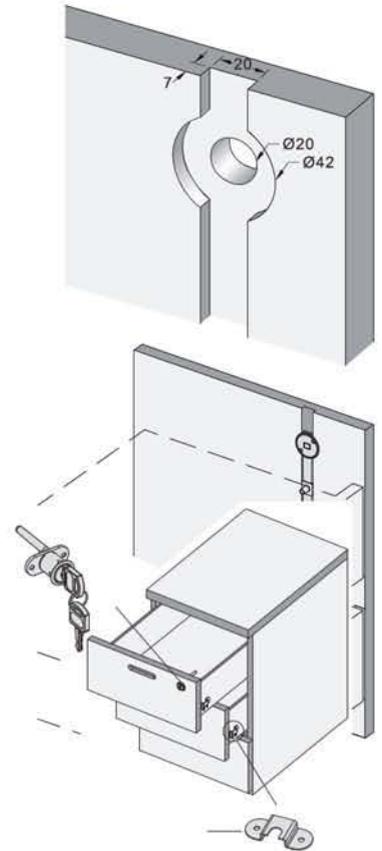


Central lock side mount Ø18

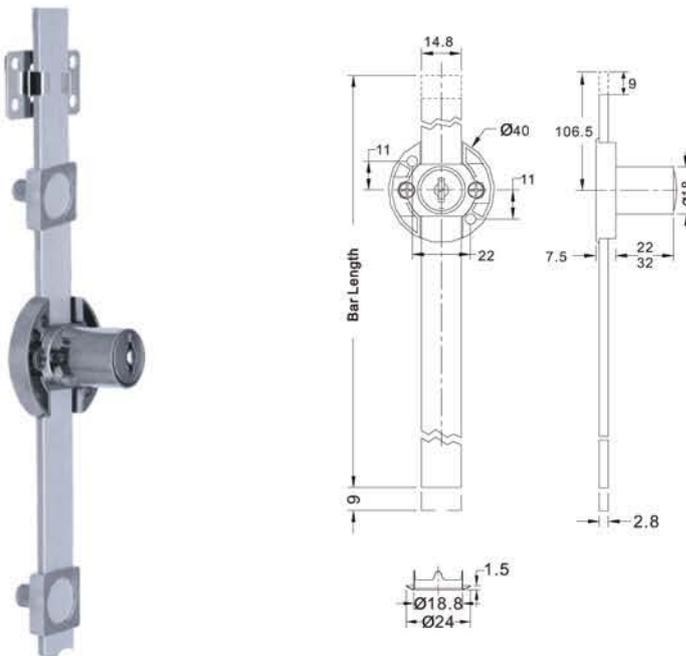


Item no.	Size				
EAN3800/22	22mm				
Available Finish: Nickel					

Installation Diagram



Central lock side mount Ø18



Item no.	Size				
EAN3801/22	22mm				
Available Finish: Nickel					

Installation Diagram

