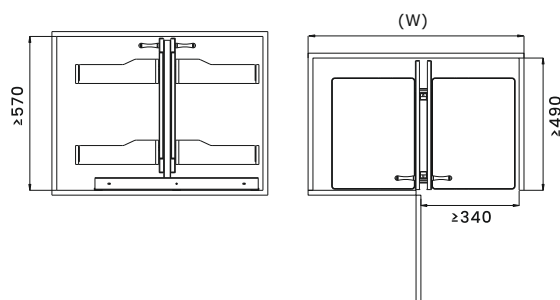


Flex Corner

Features

- Heavy duty slide with soft closing.
- Total loading capacity: 20kg.
- Cabinet width: 800mm.
- Antibacterial nano-powder coating.
- Universal hand operation.
- Finish: Anthracite.
- Anti skid base for slip resistance and easy cleaning.



Item Code	Cabinet Width (W)	WxDxH (mm)	Material
AKB.800.CR	800mm	680x480x560	Steel + ABS Plastic