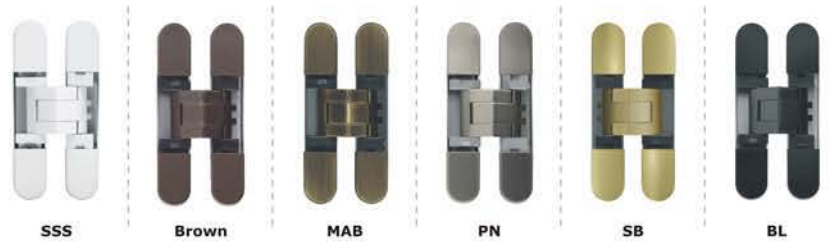


EAH929

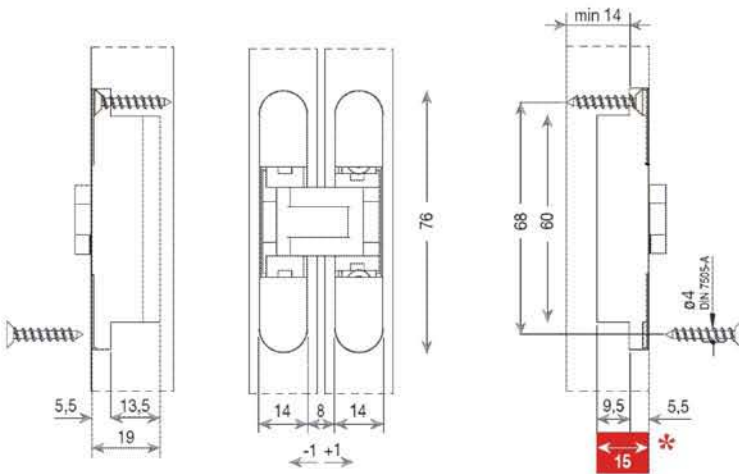


Features:

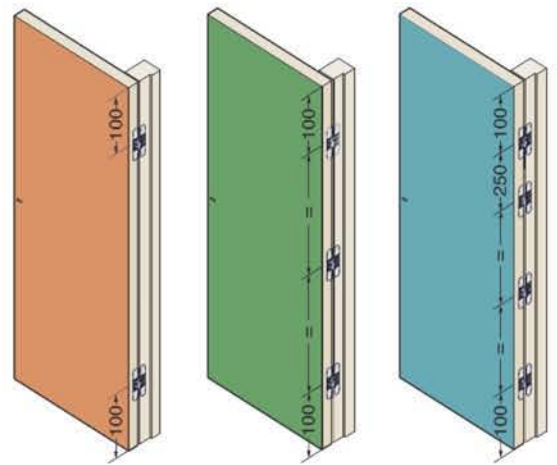
- 3D hinge for cabinet, adjustable with one simple tool
- Manufactured in zamak and fiberglass in 4 different finishes
- Suitable for doors of 18mm min. thickness
- Mini-invasive: only 15mm deep
- The strongest on its segment: load capacity upto 16Kg tested on doors 1200x600mm



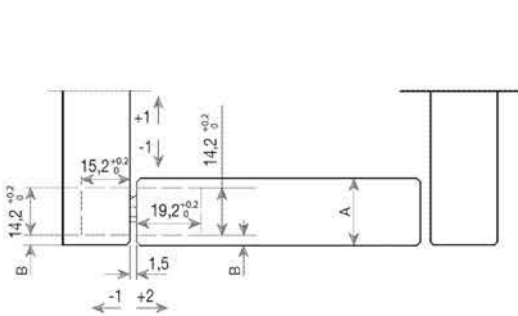
Finish: Silver



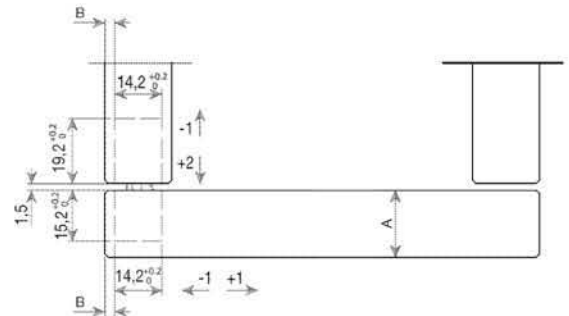
Small drilling depth



Door height mm



Cabinet cross-section with door inside the box



Cabinet cross-section with door outside the box