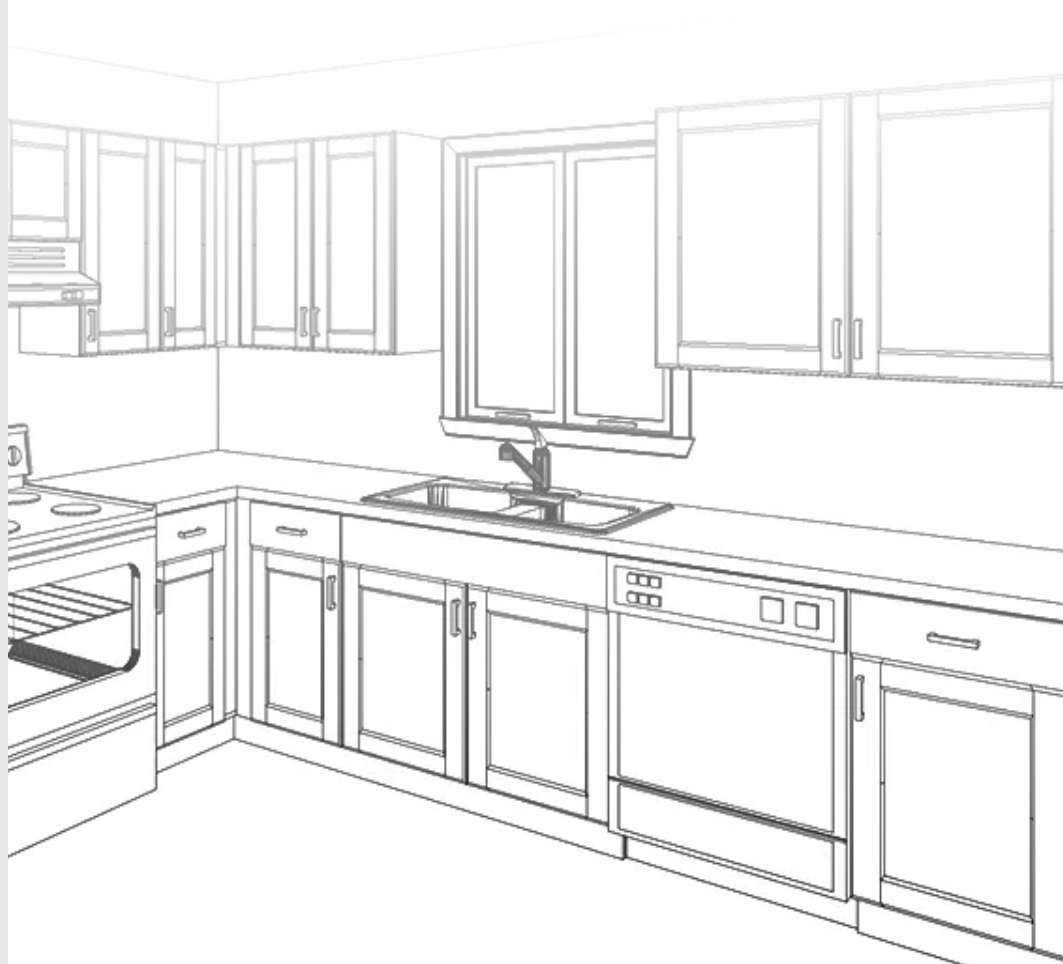




# Kitchen Fitting & Accessories



## Introduction

Welcome to EuroArt Kitchen Fittings and Accessories, where innovation meets functionality to elevate your kitchen experience. As a trusted brand in kitchen and ironmongery fittings, EuroArt brings you a wide range of premium products designed to enhance both the aesthetics and functionality of your kitchen space.

Our catalogue boasts an extensive collection of kitchen tall units, pantry units, corner units, lift-up systems, drawer runners, waste bins, and much more. Each product is meticulously crafted with attention to detail, ensuring durability, ease of use, and stylish design.

Whether you're looking to optimize storage space with our versatile tall and pantry units, maximize accessibility with our innovative lift-up systems and corner units, or enhance organization with our high-quality drawer runners and waste bins, EuroArt has the perfect solution for your kitchen needs.

With EuroArt, you can expect nothing less than exceptional quality, reliable performance, and a touch of sophistication that complements any kitchen decor. Explore our catalogue and discover the perfect fittings and accessories to transform your kitchen into a functional and stylish culinary haven.

### Guarantee

To support the high quality and first class engineering that has gone into the EuroArt product range, we offer a two to ten years guarantee (subject to conditions) against defects due to faulty manufacturing, workmanship or defective material. The manufacturer agrees to replace any defective EuroArt product free of charge provided the product has been fitted in accordance with the fitting instructions and maintained correctly.

### Technical Support

Comprehensive information and technical support services are available by contacting:

Tel: +44 1254 263934

Email: [me@euro-art.co.uk](mailto:me@euro-art.co.uk)

Or visit our website

**[www.euro-art.co.uk](http://www.euro-art.co.uk)**





# One Stop Solution!

EuroArt brings to the table a comprehensive range of door hardware for metal, wood and glass doors together with fittings for wardrobe, kitchen and lighting solutions. We offer the following three product lines to create the One-Stop Solution for all your door hardware & furniture fitting requirements:



## ARCHITECTURAL HARDWARE

- Lever Handles & Knobs
- Locks & Latches
- Hinges
- Panic Hardware
- Accessories
- Intumescent Seals
- Pull Handles
- Cylinders
- Door Closers
- Electro-mechanical Products
- Sliding & Folding Door Gear

## FURNITURE FITTINGS

- Hinges & Flap Stay
- Cabinet Locking System
- Wardrobe Fittings
- Wardrobe Sliding System
- Furniture Handles & Knob
- Furniture Lighting
- Drawer System (Runners & Drawer Boxes)
- Kitchen Fittings & Accessories
- Pop-up Socket & TV Lift-up
- Furniture Accessories



## GLASS HARDWARE

- Floor Spring with Cam Motion Technology
- Hydraulic Patches
- Patch Fittings
- Pull Handle
- Knobs & Towel Bars
- Sliding System
- Automatic Door Bottom
- Hydraulic Hinges
- Pivot System
- Lockset & Hinges
- Shower Hinges & Connectors
- Support Bars & Brackets
- Sealing Strips



## DIGITAL ACCESS LOCKS

- Digital Residential Locks
- Electronic locker Locks
- High-end retail Showroom Security System
- Digital Glass Door Locks
- Digital Drawer Locks



# What's Inside

## Drawer System & Drawer Runner System

---

PAGE

**07-33**

- Smart Drawer System
- Smart Slim Drawer System
- Concealed Undermount Runner
- Ball Bearing Runner

## Lift Up & Flap Stay System

---

PAGE

**53-58**

- Manual Parallel Lift Up
- Top Lift Up
- Bi-Fold Lift Up
- Small Cabinet Lift Up
- Gas Lift Up & Drop Down

## Kitchen Fittings

---

PAGE

**34-52**

- Kitchen Pantry & Storage System
- Narrow Spice Pullout
- Kitchen Corner System

## Kitchen Accessories

---

PAGE

**59-70**

- Lift Basket & Dish Rack
- Waste Bins
- Skirting & Connectors
- Plinth Legs
- Cutlery





## Drawer Systems





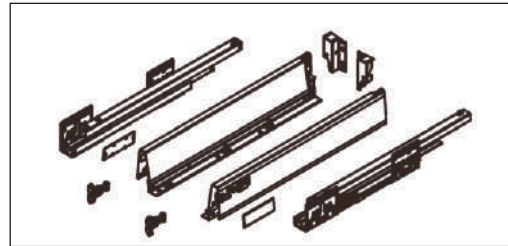
**Features:**

- Concealed, full extension, synchronized slides
- Light opening and soft closing for smooth sliding
- Quick installation and easy dismantling
- Integrated 3D front panel adjustment
- Dynamic loading capacity: 35kg

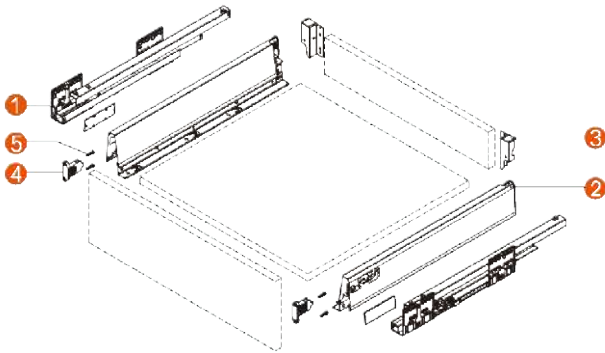
**Consisting Items:**

1. Drawer runners - Left / Right
2. Drawer side profiles
3. Back fixing brackets -Left / Right
4. Front fixing brackets - Left / Right
5. Screws

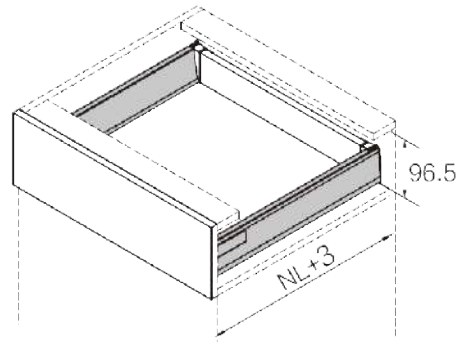
**Kit Package**



**The Basic components**



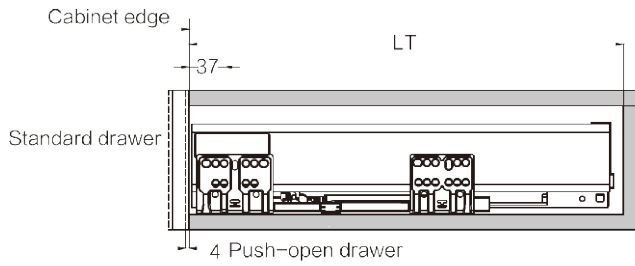
**Space Requirement**



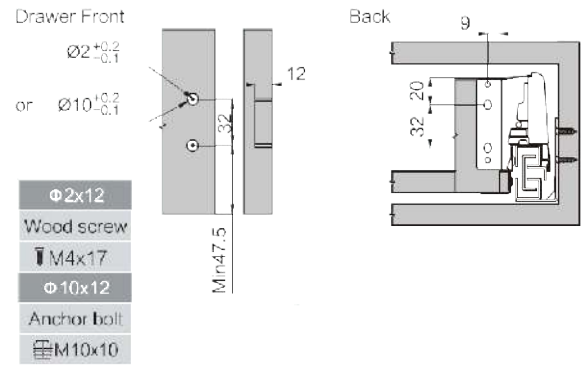
Nominal Length NL	Soft close drawer item no.	Set/Pair
270mm	TBG5427	1
300mm	TBG5430	1
350mm	TBG5435	1
400mm	TBG5440	1
450mm	TBG5445	1
500mm	TBG5450	1
550mm	TBG5455	1

Color: Silver, White, Dark Grey, Stainless Steel

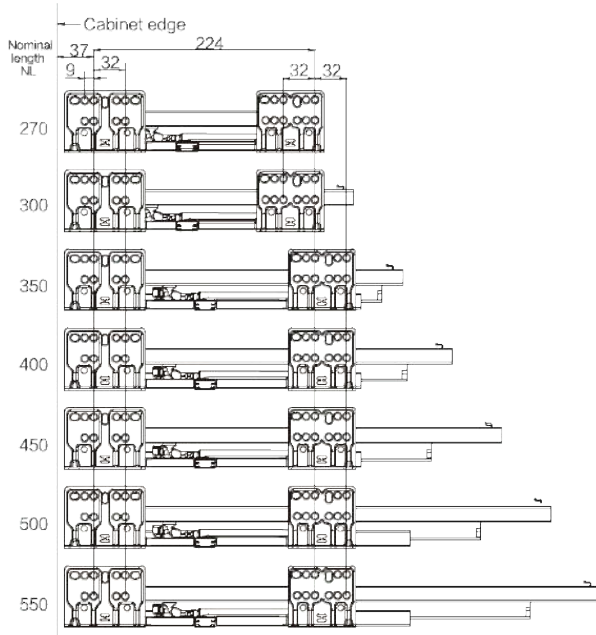
## Installation Dimension (mm)



## Drawer Installation Dimension (mm)

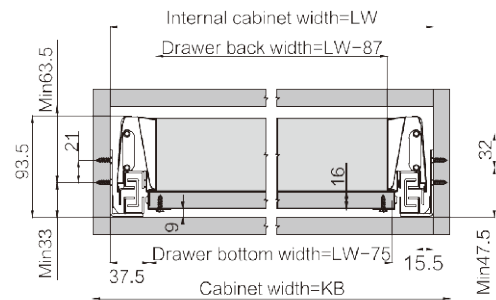


## Screw Position of Slides (mm)

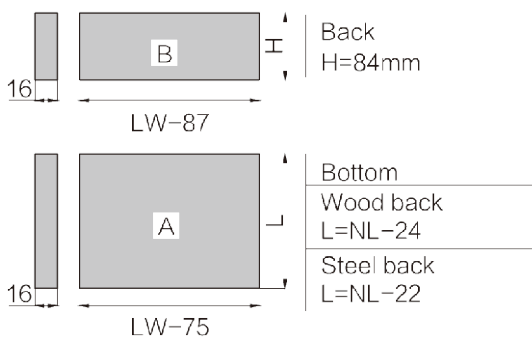


## Installation Dimension (mm)

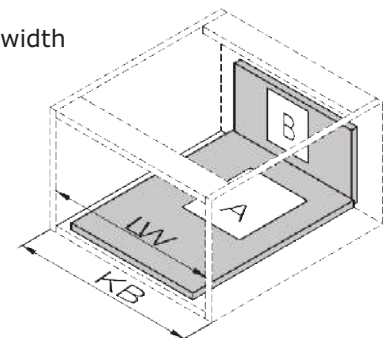
LW Internal cabinet width



## Drawers Back and Bottom Dimension (mm)



KB Cabinet width  
LW Internal Cabinet width  
NL Normal length

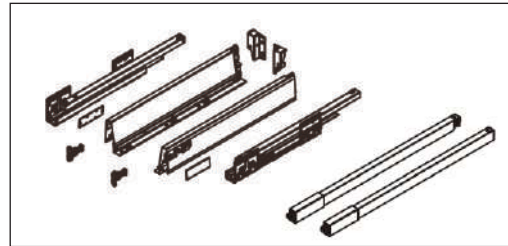
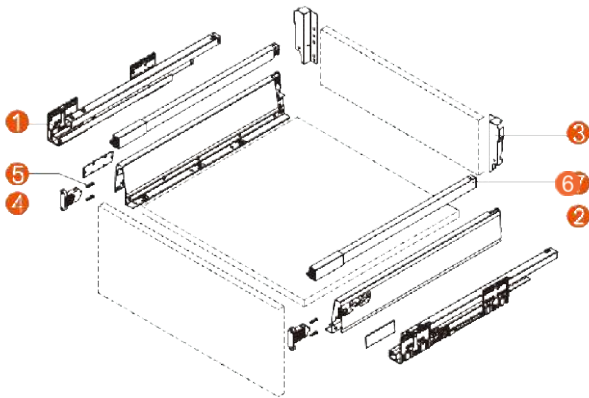
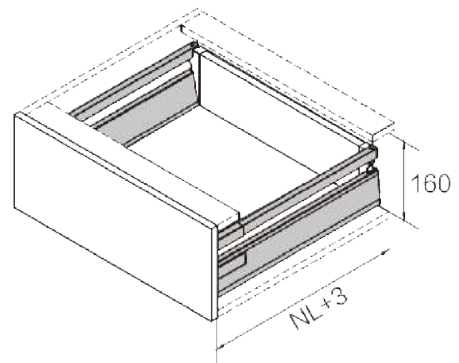



**Features:**

- Concealed, full extension, synchronized slides
- Light opening and soft closing for smooth sliding
- Quick installation and easy dismantling
- Integrated 3D front panel adjustment
- Dynamic loading capacity: 35kg

**Consisting Items:**

1. Drawer runners - Left / Right
2. Drawer side profiles
3. Back fixing brackets -Left / Right
4. Front fixing brackets - Left / Right
5. Screws
6. Rails - Left / Right

**Kit Package**

**The Basic components**

**Space Requirement**


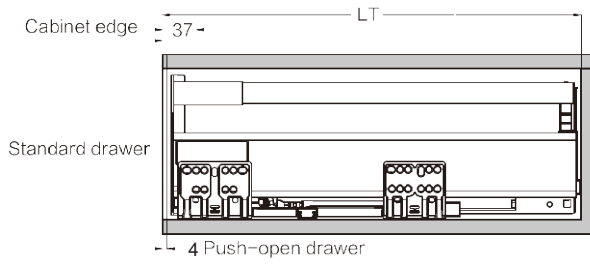
Nominal Length NL	Soft close drawer item no.	Set/Pair
270mm	TBG5527/RS	1
300mm	TBG5530/RS	1
350mm	TBG5535/RS	1
400mm	TBG5540/RS	1
450mm	TBG5545/RS	1
500mm	TBG5546/RS	1
550mm	TBG5555/RS	1

Color: Silver, White, Dark Grey, Stainless Steel

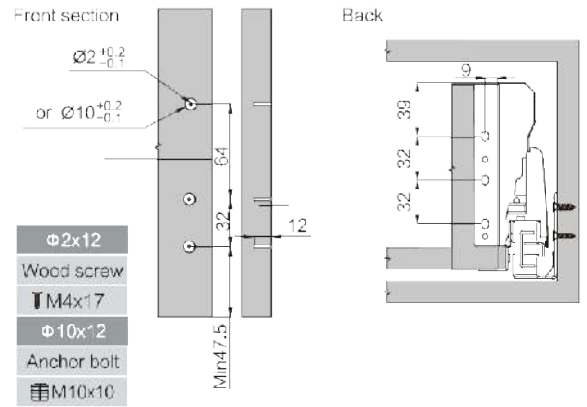
## Installation Dimension (mm)

Normal Slide Length=NL

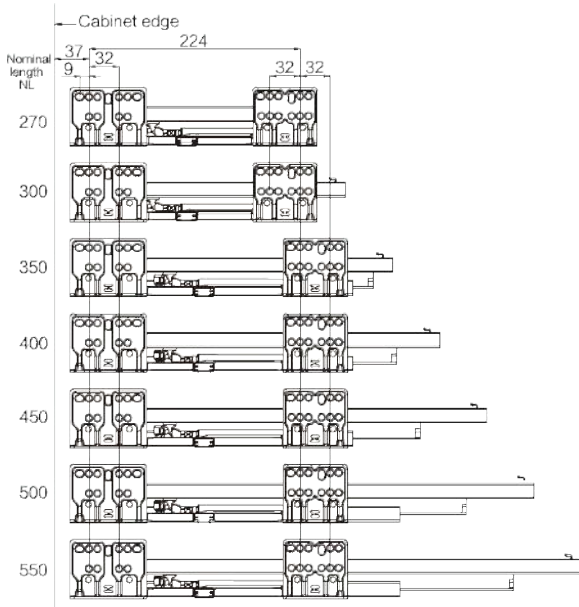
Internal Cabinet Depth=LT+NL+3



## Drawer Installation Dimension (mm)

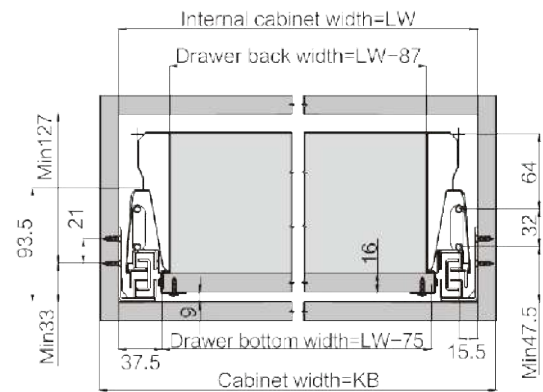


## Screw Position of Slides (mm)

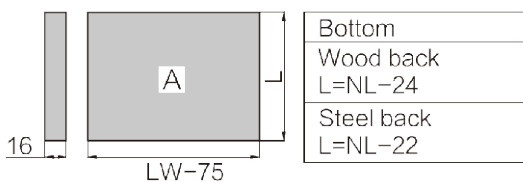
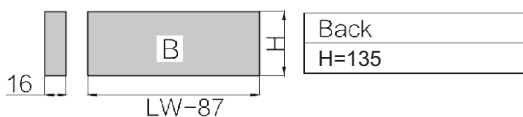


## Installation Dimension (mm)

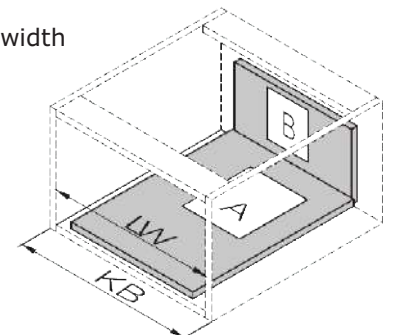
LW Internal cabinet width



## Drawers Back and Bottom Dimension (mm)



KB Cabinet width  
 LW Internal Cabinet width  
 NL Normal length

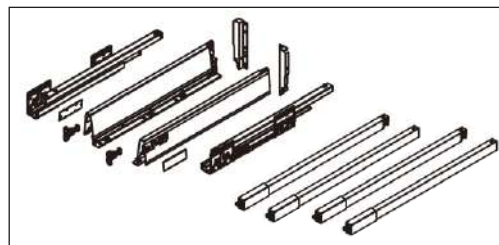
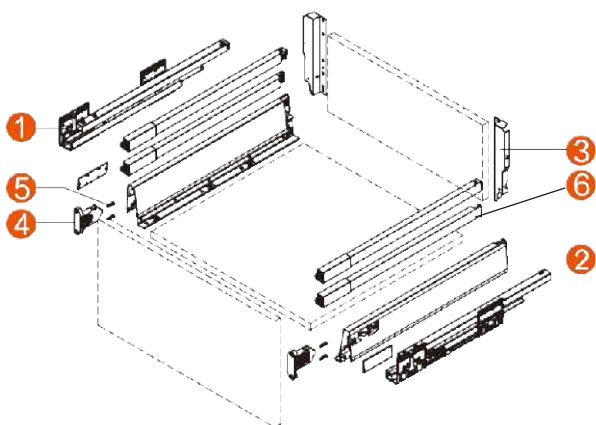
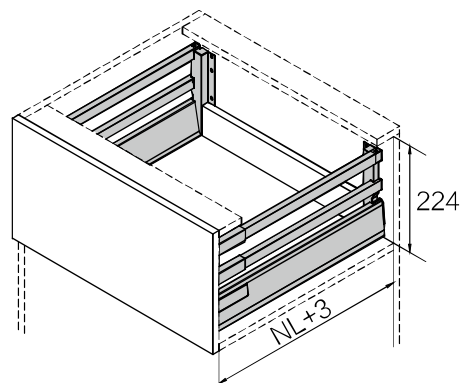



**Features:**

- Concealed, full extension, synchronized slides
- Light opening and soft closing for smooth sliding
- Quick installation and easy dismantling
- Integrated 3D front panel adjustment
- Dynamic loading capacity: 35kg

**Consisting Items:**

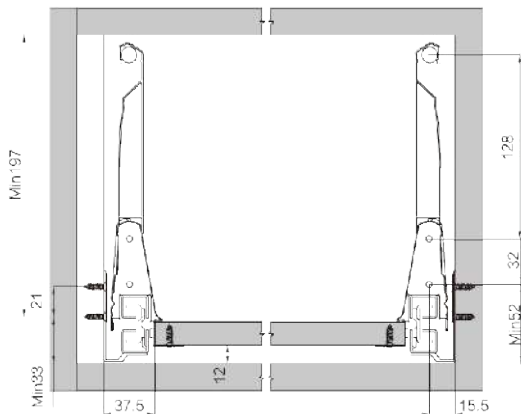
1. Drawer runners - Left / Right
2. Drawer side profiles
3. Back fixing brackets -Left / Right
4. Front fixing brackets - Left / Right
5. Screws
6. Double rails - Left / Right

**Kit Package**

**The Basic components**

**Space Requirement**


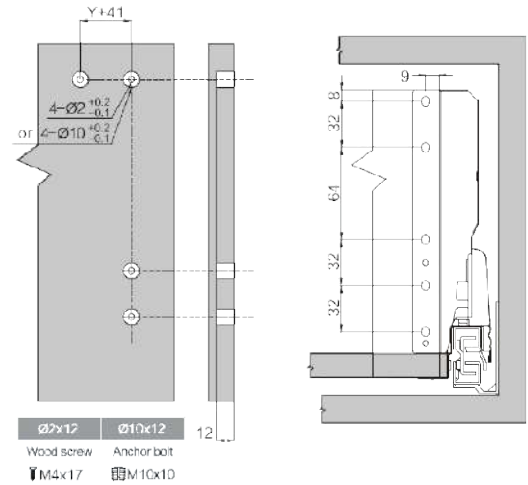
Nominal Length NL	Soft close drawer item no.	Set/Pair
270mm	TBG5527/RSD	1
300mm	TBG5530/RSD	1
350mm	TBG5535/RSD	1
400mm	TBG5540/RSD	1
450mm	TBG5545/RSD	1
500mm	TBG5551/RSD	1
550mm	TBG5555/RSD	1

**Color: Silver, White, Dark Grey, Stainless Steel**

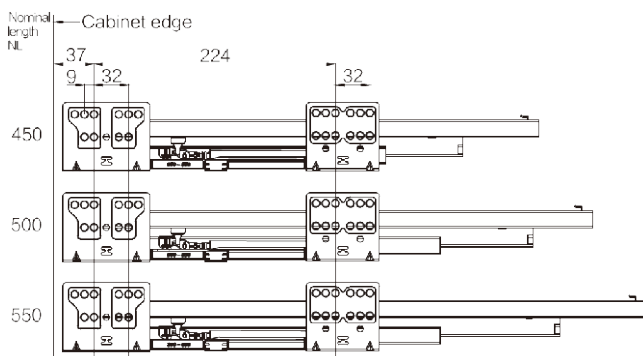
## Installation Dimensions



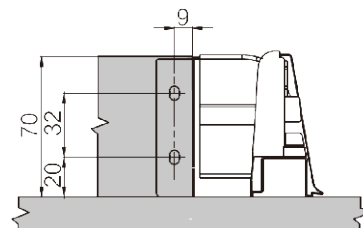
## Drawer Installation Dimensions



## Fixing hole position for Soft-Close



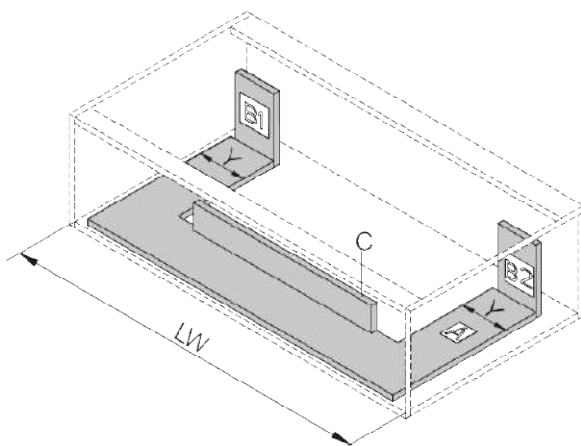
## Installation Dimensions



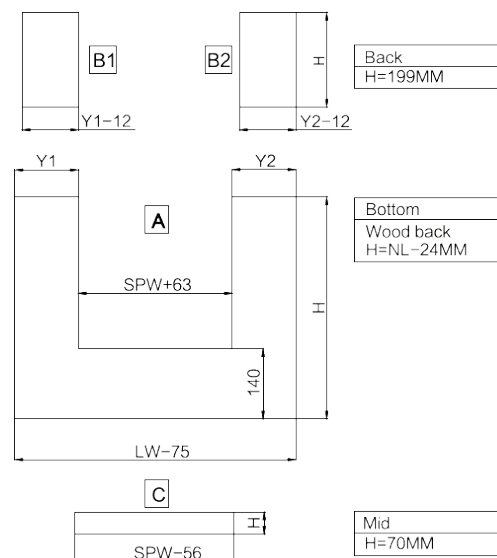
**LW** Internal Cabinet width

**NL** Nominal length

**SPW** Sink the banisters can meet the required space



## Cutting Dimension of 16mm Chipboard





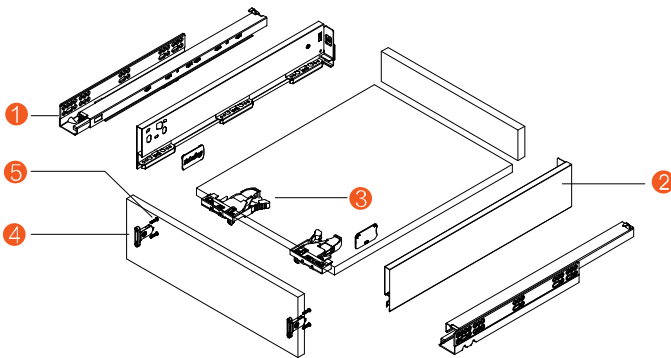
**Features:**

- Concealed, full extension slim undermount slides
- Light opening and soft closing for smooth sliding
- Quick installation and easy dismantling with free adjustable end brackets
- Dynamic loading capacity: 40kg

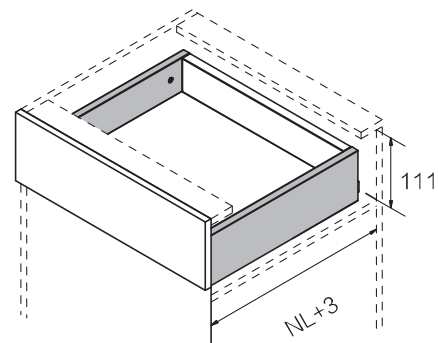
**Consisting Items:**

1. Cabinet profile - Left / Right
2. 89 Drawer profile - Left / Right
3. Side cover plate
4. Bottom screw (Ø3.5x15)
5. 89mm Front fixing brackets
6. Front fixing - brackets screws (Ø4x17)
7. Drawer back
8. Metal back height 84mm
9. Metal back fixed
10. Bottom fixing (for wide drawer)

**The Basic components**



**Space Requirement**



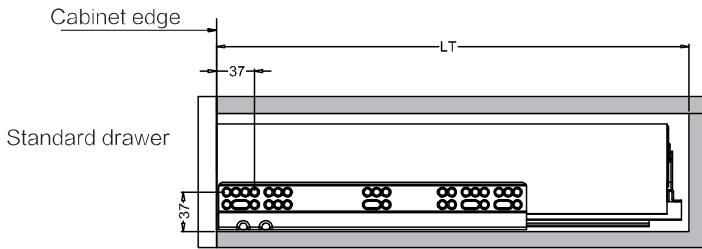
Nominal Length NL	Soft close drawer item no.	Set/Pair
270mm	STB89-27	1
300mm	STB89-30	1
350mm	STB89-35	1
400mm	STB89-40	1
450mm	STB89-45	1
500mm	STB89-50	1
550mm	STB89-55	1

Color: Pearl White, Dark Grey

### Installation Dimensions (mm)

Nominal Slide Length = NL

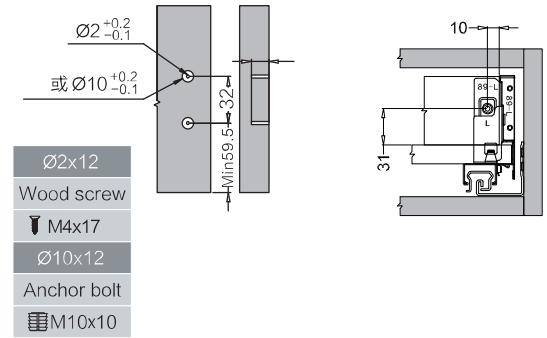
Internal Cabinet Depth =  $LT = NL + 3$



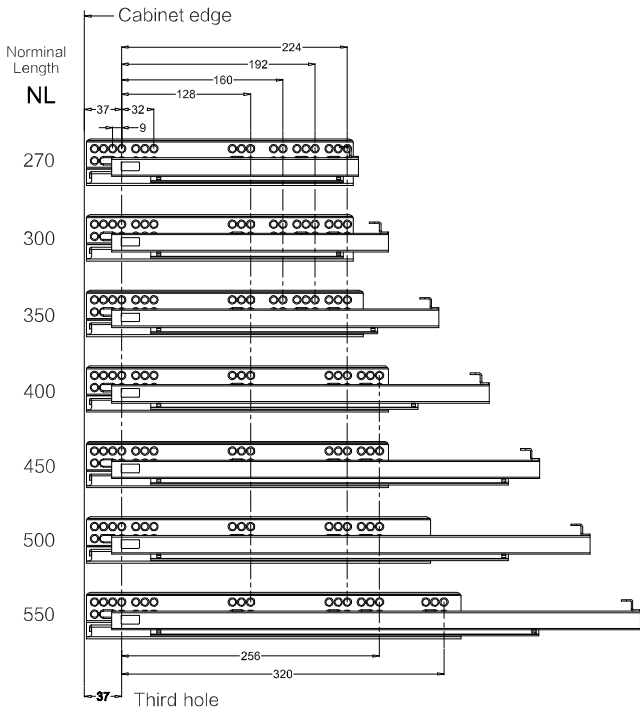
### Drawer Installation Dimensions (mm)

Drawer Front

Back

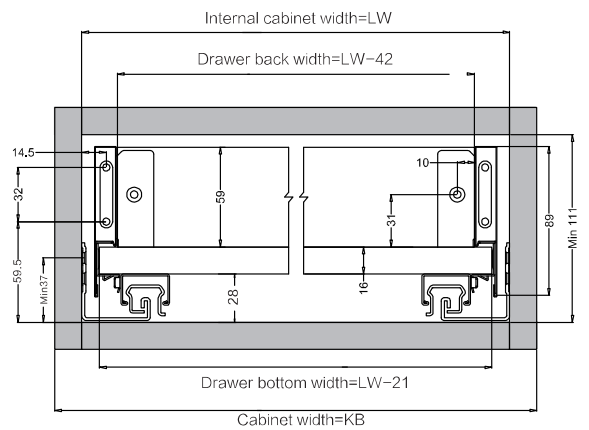


### Screw Positions of the Slides (mm)

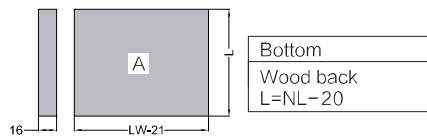
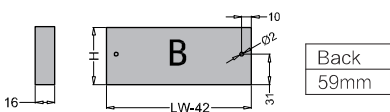


### Installation Dimensions (mm)

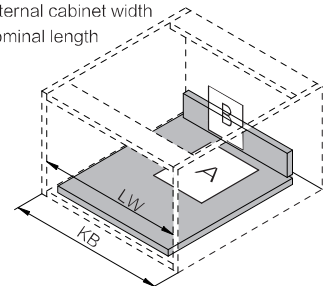
LW Internal Cabinet Width



### Drawer Back and Bottom Dimensions (mm)



KB Cabinet width  
LW Internal cabinet width  
NL Nominal length





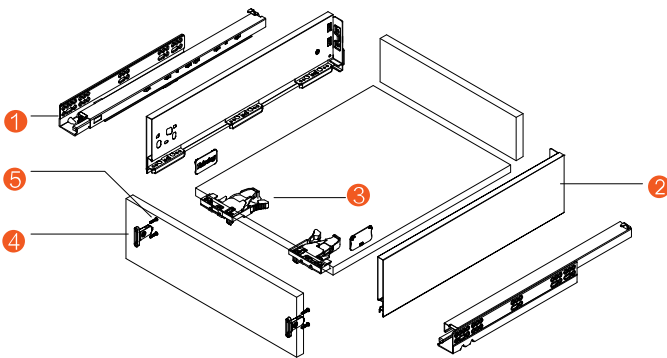
**Features:**

- Concealed, full extension slim undermount slides
- Light opening and soft closing for smooth sliding
- Quick installation and easy dismantling with free adjustable end brackets
- Dynamic loading capacity: 40kg

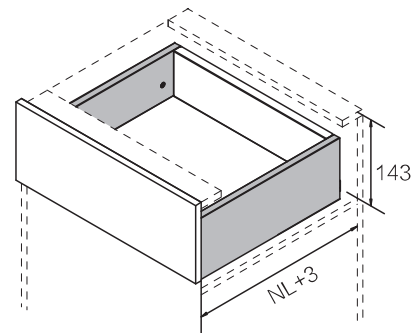
**Consisting Items:**

1. Cabinet profile - Left / Right
2. 121mm Drawer profile - Left / Right
3. Side cover plate
4. Bottom screw (Ø3.5x15)
5. 135mm Front fixing brackets
6. Front fixing-brackets screws (Ø4x17)
7. Drawer back
8. Metal back height 121mm
9. Metal back fixed
10. Bottom fixing (for wide drawer)

**The Basic components**



**Space Requirement**



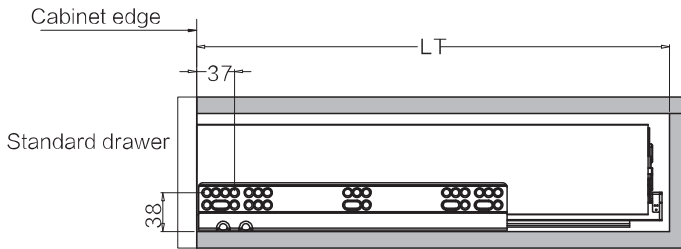
Nominal Length NL	Soft close drawer item no.	Set/Pair
270mm	STB121-27	1
300mm	STB121-30	1
350mm	STB121-35	1
400mm	STB121-40	1
450mm	STB121-45	1
500mm	STB121-50	1
550mm	STB121-55	1

Color: Pearl White, Dark Grey

### Installation Dimensions (mm)

Nominal Slide Length = NL

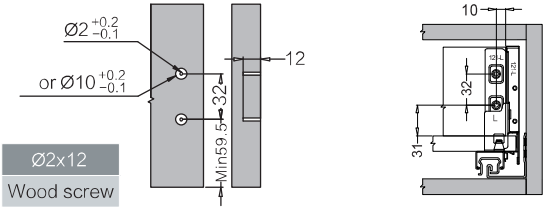
Internal Cabinet Depth =  $LT = NL + 3$



### Drawer Installation Dimensions (mm)

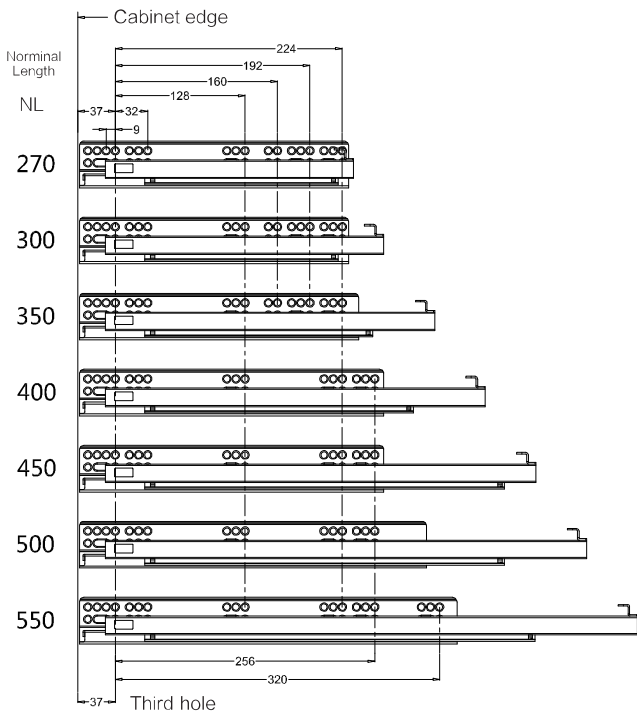
Drawer Front

Back



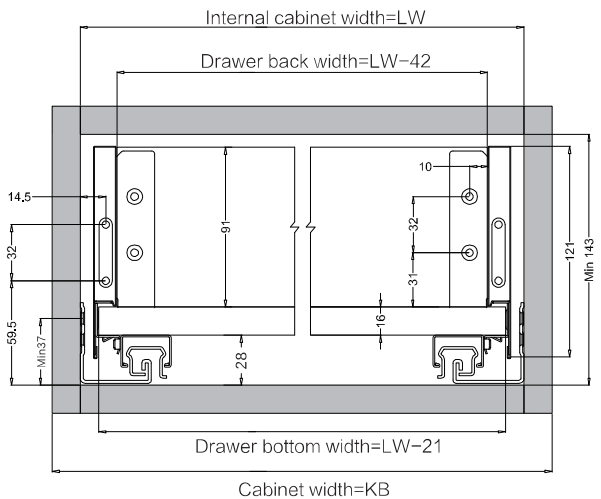
- $\varnothing 2 \times 12$
- Wood screw
- M4x17
- $\varnothing 10 \times 12$
- Anchor bolt
- M10x10

### Screw Positions of the Slides (mm)

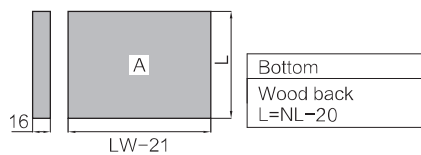
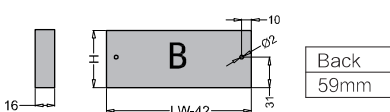


### Installation Dimensions (mm)

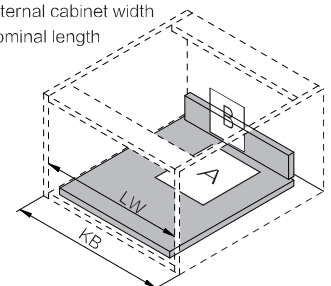
LW Internal Cabinet Width



### Drawer Back and Bottom Dimensions (mm)



KB Cabinet width  
LW Internal cabinet width  
NL Nominal length





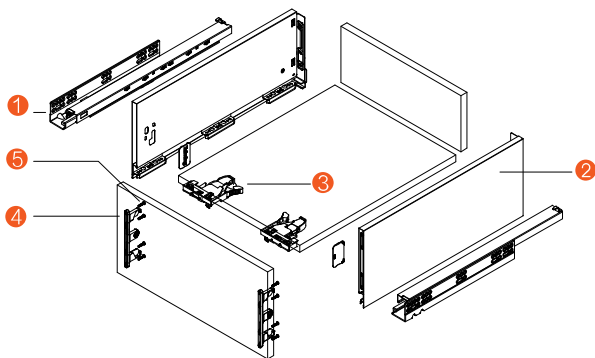
**Features:**

- Concealed, full extension slim undermount slides
- Light opening and soft closing for smooth sliding
- Quick installation and easy dismantling with free adjustable end brackets
- Dynamic loading capacity: 40kg.

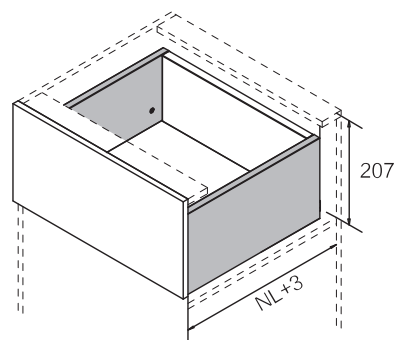
**Consisting Items:**

1. Cabinet profile - Left / Right
2. 185mm Drawer profile - Left / Right
3. Side cover plate
4. Bottom screw (Ø3.5x15)
5. 199mm Front fixing brackets
6. Front fixing-brackets screws (Ø4x17)
7. Drawer back
8. Metal back height 185mm
9. Metal back fixed
10. Bottom fixing (for wide drawer)

**The Basic components**



**Space Requirement**



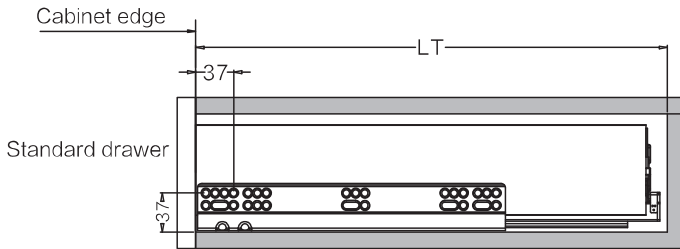
Nominal Length NL	Soft close drawer item no.	Set/Pair
270mm	STB185-27	1
300mm	STB185-30	1
350mm	STB185-35	1
400mm	STB185-40	1
450mm	STB185-45	1
500mm	STB185-50	1
550mm	STB185-55	1

Color: Pearl White, Dark Grey

### Installation Dimensions (mm)

Nominal Side Length = NL

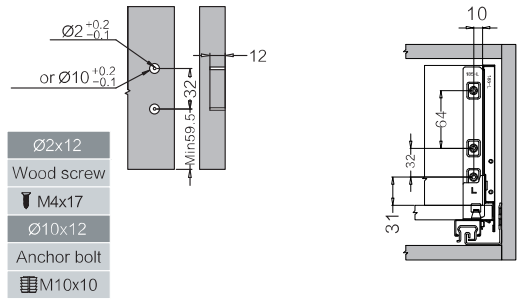
Internal Cabinet Depth =  $LT = NL + 3$



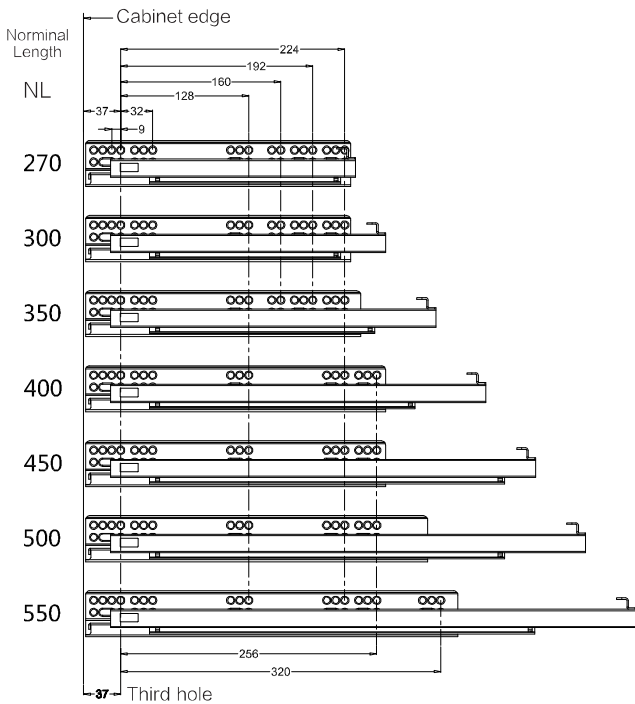
### Drawer Installation Dimensions (mm)

Drawer Front

Back

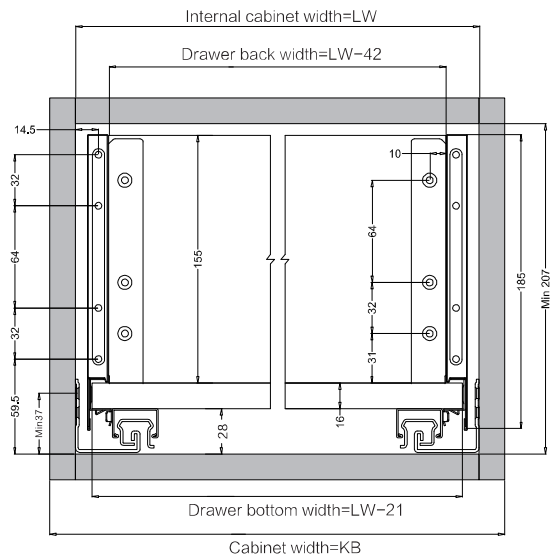


### Screw Positions of the Slides (mm)

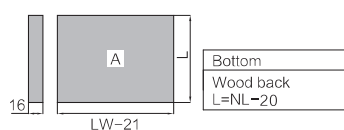
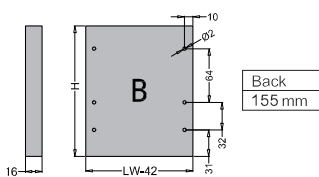


### Installation Dimensions (mm)

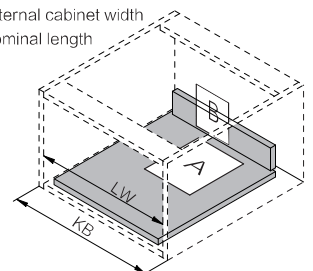
LW Internal Cabinet Width



### Drawer Back and Bottom Dimensions (mm)

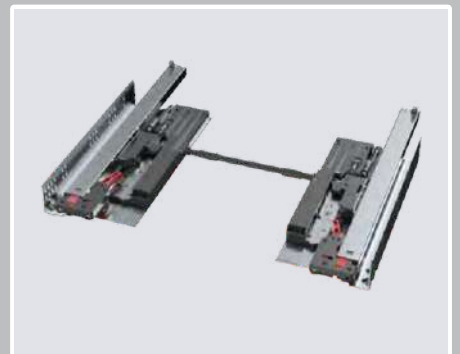
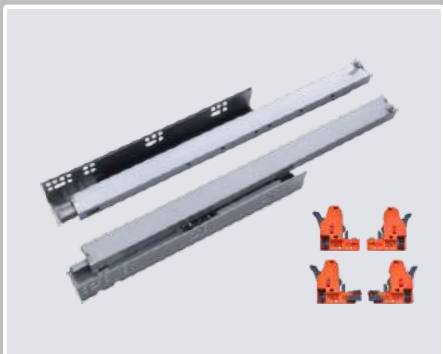


KB Cabinet width  
LW Internal cabinet width  
NL Nominal length





 EUROART



Drawer Runner System





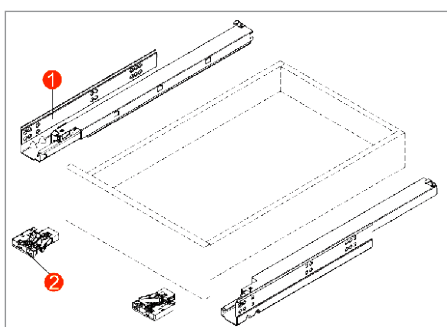
### Synchronized Full Extension Soft Close Concealed Undermount Slide with 3D Locking Brackets

#### Features:

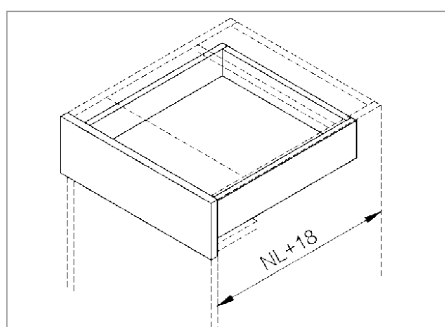
- Synchronized soft close system
- Quick and easy assembling and dismantling the drawer
- Height adjustment 0~+3mm
- Slide adjustment  $\pm 1.5\text{mm}$
- Depth (In and Out) adjustment 0~+3mm
- Loading capacity 40Kg



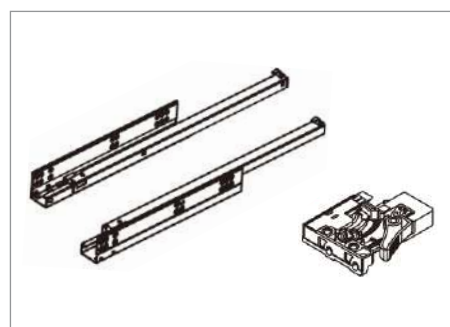
#### The Basic components



#### Space Requirement



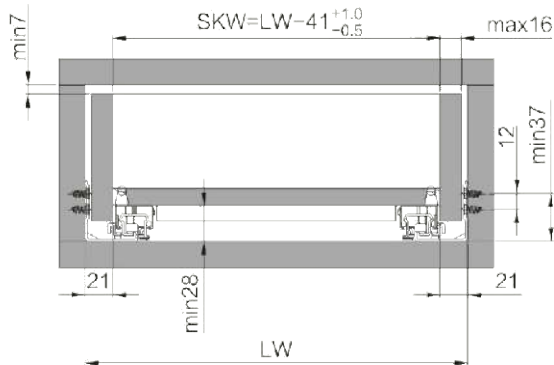
#### Kit Package



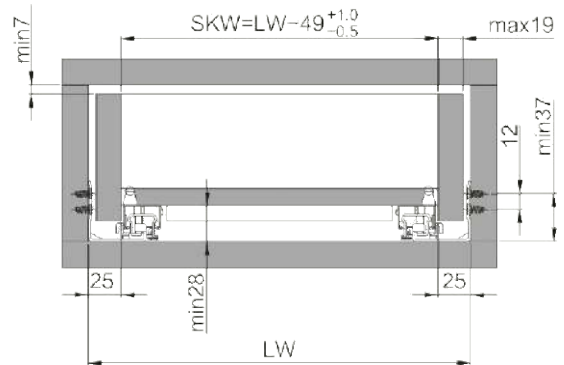
Nominal Length NL	Soft close drawer item no.	Set/Pair
250mm	CSR425	1
300mm	CSR430	1
350mm	CSR435	1
400mm	CSR440	1
450mm	CSR445	1
500mm	CSR450	1
550mm	CSR455	1

## Installation Dimension (mm)

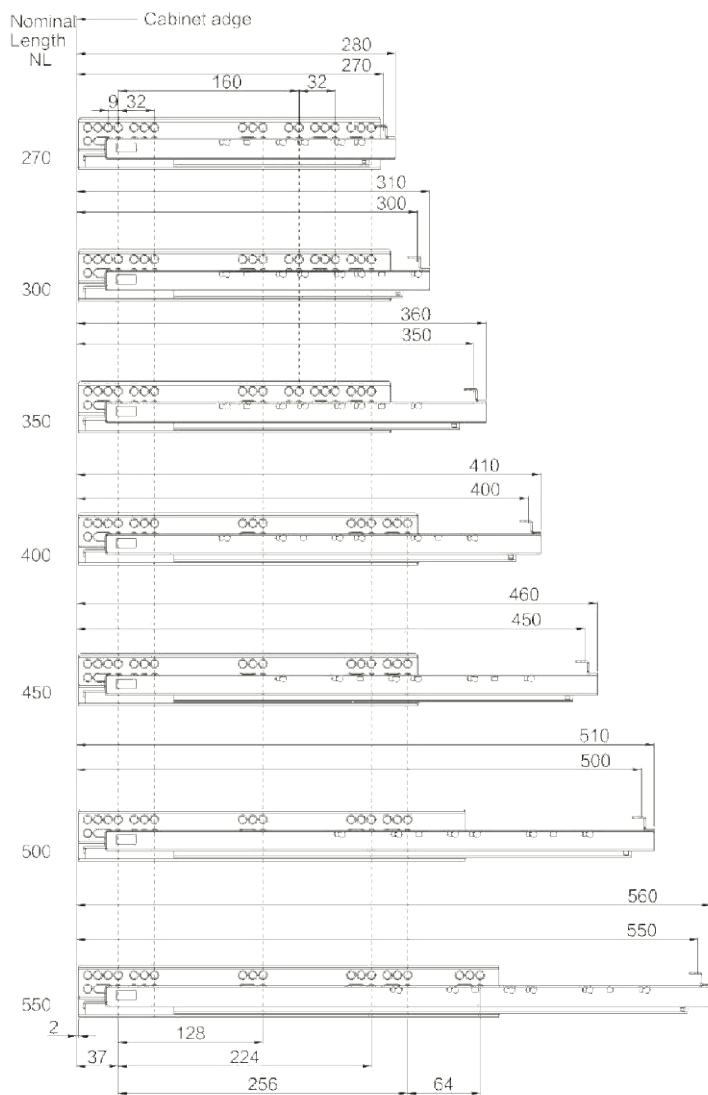
Installation for drawer with max 16mm thick drawer side  
 LW = Internal Cabinet width SKW = Internal Drawer width



Installation for drawer with max 19mm thick drawer side  
 LW = Internal Cabinet width SKW = Internal Drawer width

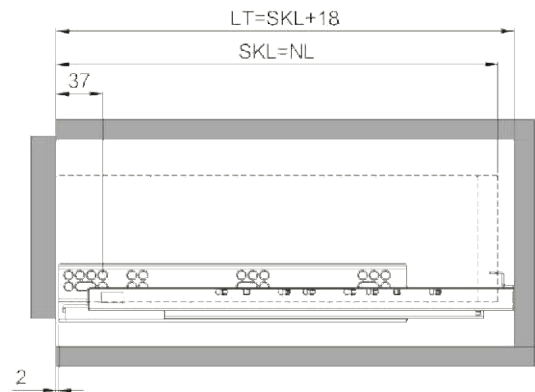


## Installation Dimension (mm)

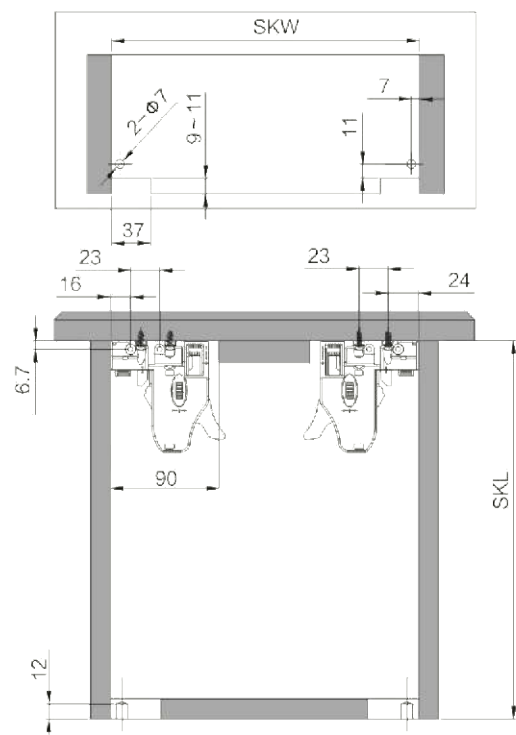


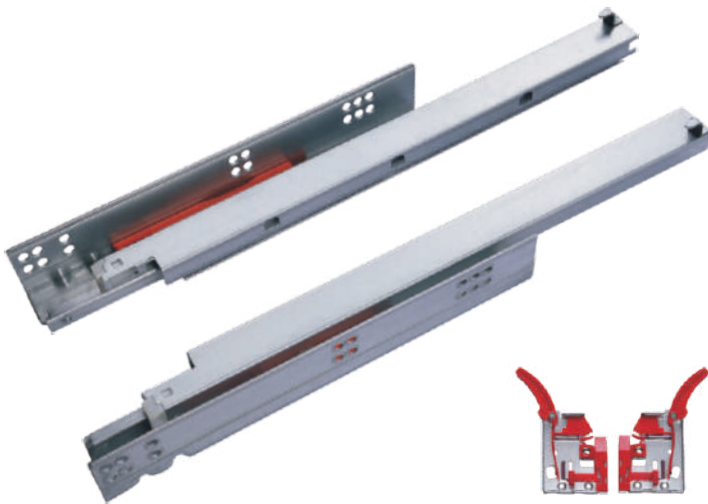
## Drawers Dimension (mm)

SKL Drawer length  
 LT Inside cabinet length (min.)



## Drawers Box (mm)





### Concealed Full Extension Push-Open Undermount Slide With Locking Brackets

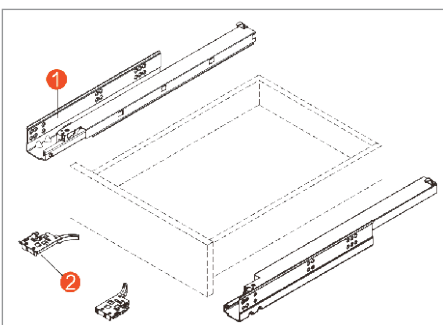
#### Features:

- Smooth mechanical push-open system
- Quick and easy assembling and dismantling
- Height adjustment 0~+3mm
- Loading capacity 30Kg

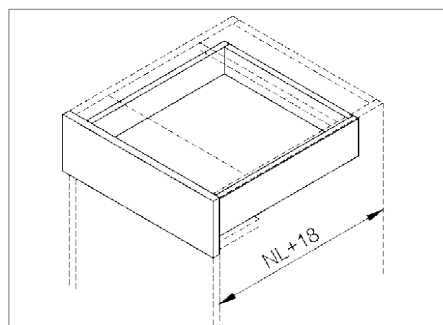
#### Consisting Items:

1. Concealed drawer runners - Left / Right
2. Locking brackets

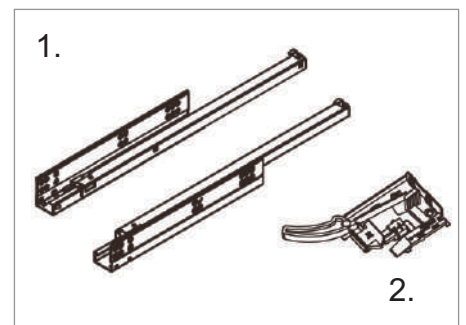
#### The Basic components



#### Space Requirement



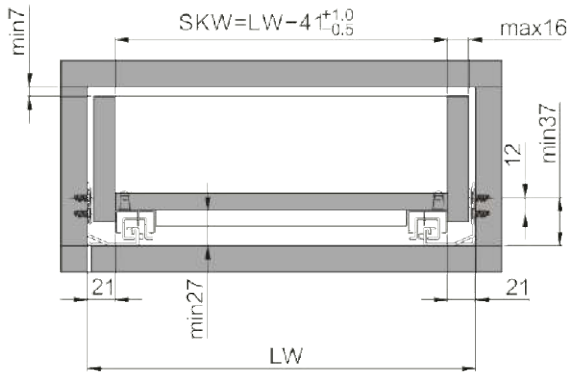
#### Kit Package



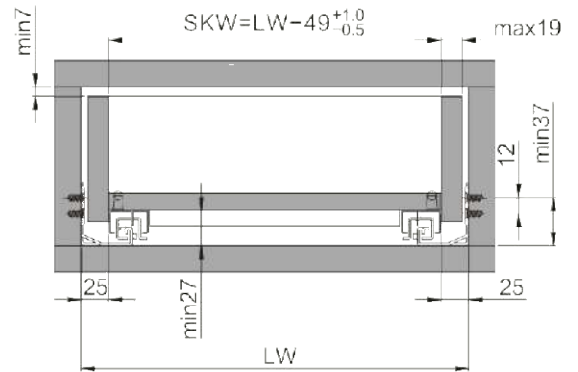
Nominal Length NL	Soft close drawer item no.	Set/Pair
300mm	CPOR431	1
350mm	CPOR436	1
400mm	CPOR441	1
450mm	CPOR446	1
500mm	CPOR451	1
550mm	CPOR456	1

## Installation Dimension (mm)

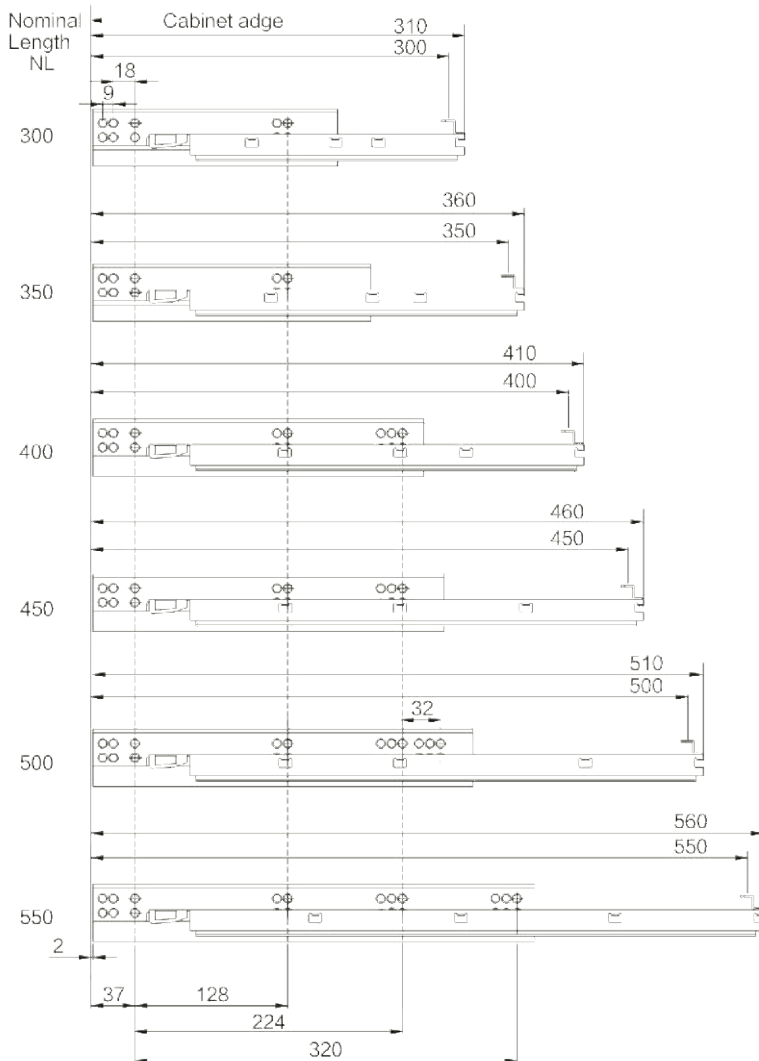
Installation for drawer with max 16mm thick drawer side  
 LW = Internal Cabinet width SKW = Internal Drawer width



Installation for drawer with max 19mm thick drawer side  
 LW = Internal Cabinet width SKW = Internal Drawer width

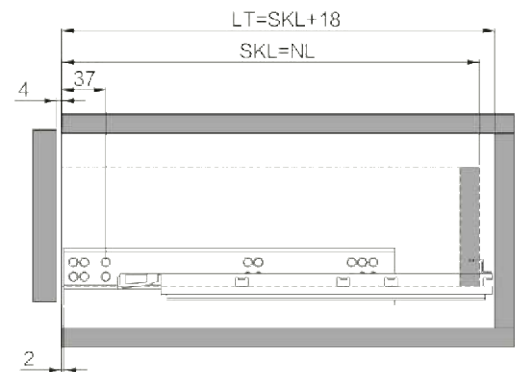


## Installation Dimension (mm)

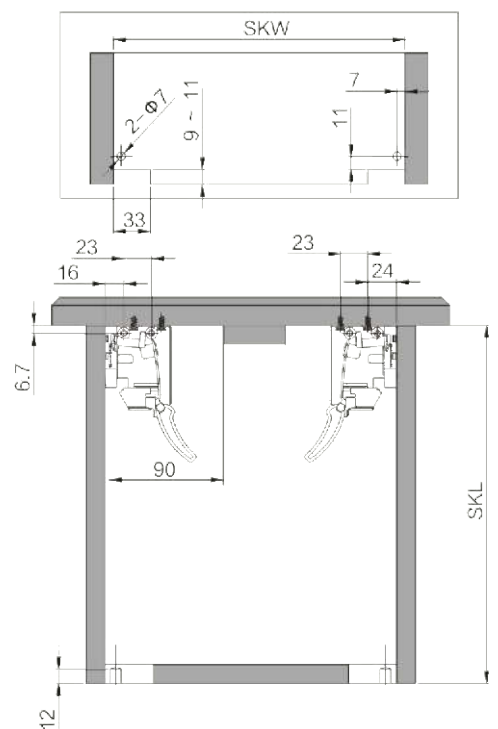


## Drawers Dimension (mm)

SKL Drawer width  
 LT Inside cabinet length (min.)



## Drawers Box (mm)





### Synchronized Full Extension Soft Close Concealed Undermount Slide with 3D Locking Brackets

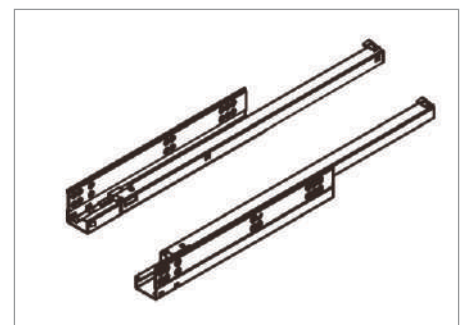
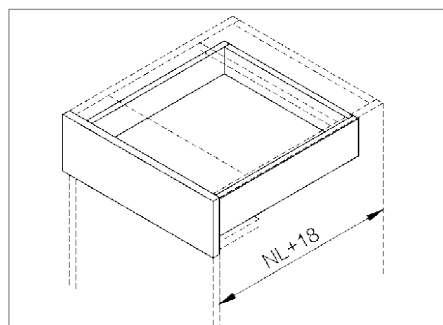
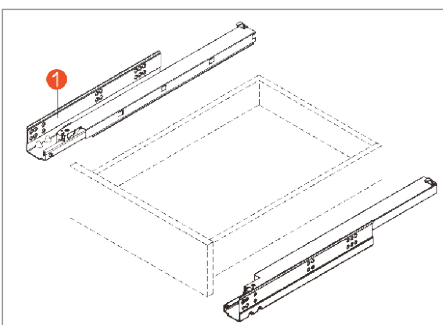
**Features:**

- Synchronized soft close system
- Quick and easy assembling and dismantling the drawer
- 18mm with damper
- Height adjustment 0~+3mm
- Loading capacity 35Kg

**The Basic components**

**Space Requirement**

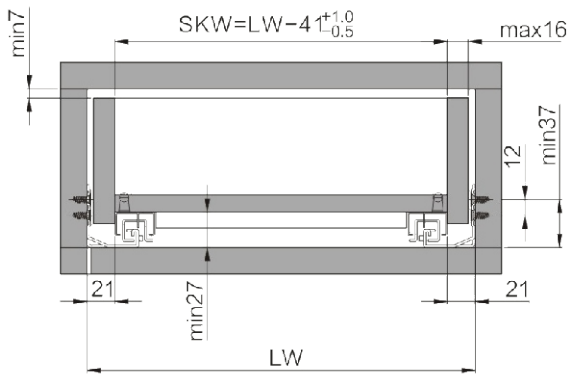
**Kit Package**



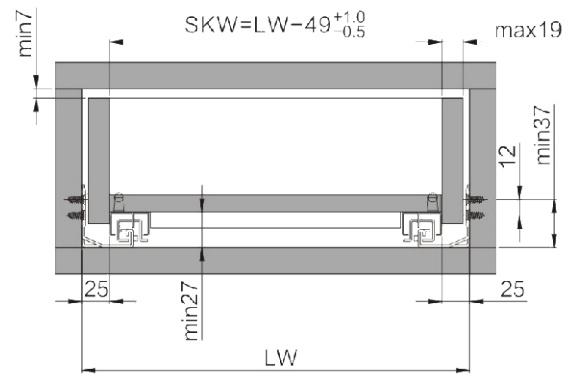
Nominal Length NL	Soft close drawer item no.	Set/Pair
300mm	CUR300	1
350mm	CUR350	1
400mm	CUR400	1
450mm	CUR450	1
500mm	CUR500	1
550mm	CUR550	1

## Installation Dimension (mm)

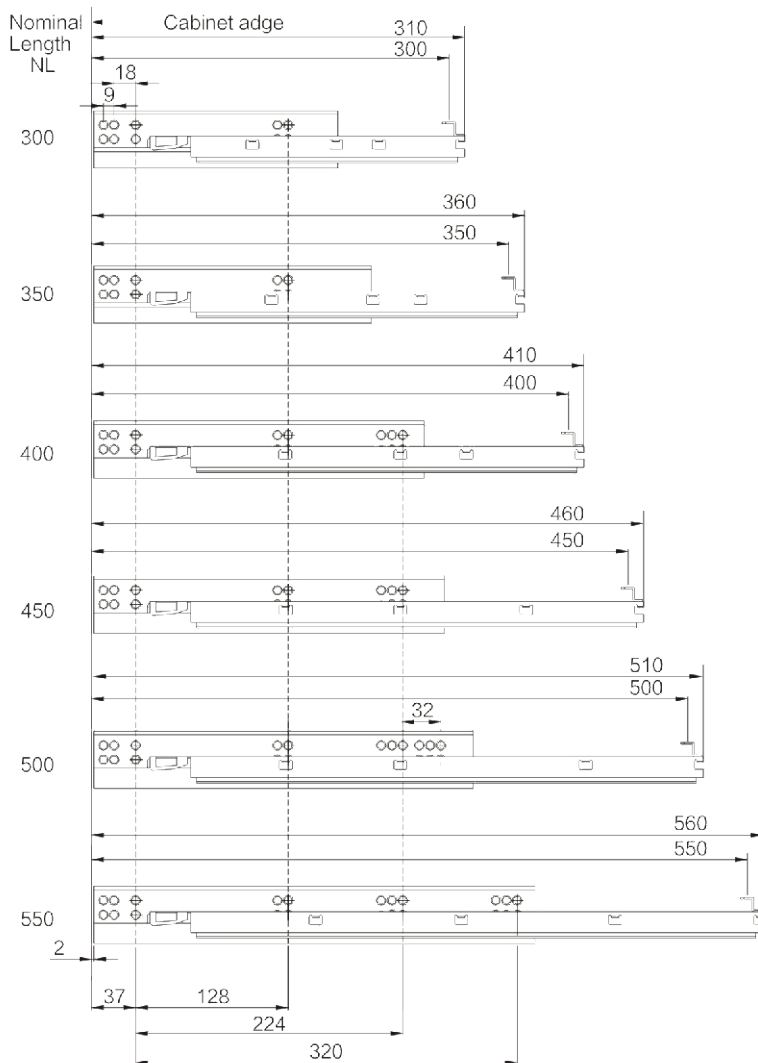
Installation for drawer with max 16mm thick drawer side  
 LW = Internal Cabinet width SKW = Internal Drawer width



Installation for drawer with max 19mm thick drawer side  
 LW = Internal Cabinet width SKW = Internal Drawer width

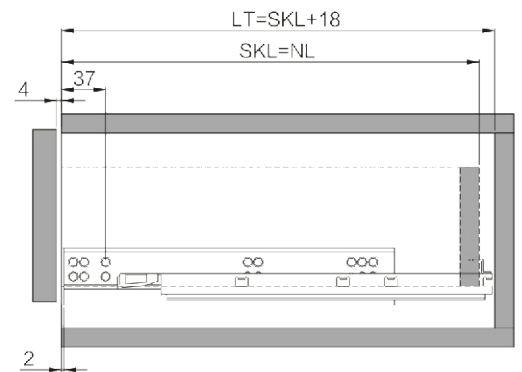


## Installation Dimension (mm)

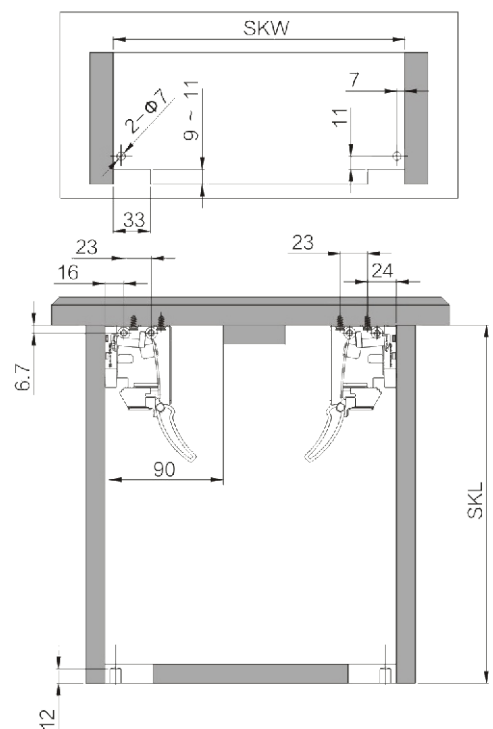


## Drawers Dimension (mm)

SKL Drawer width  
 LT Inside cabinet length (min.)



## Drawers Box (mm)





### Concealed Single Extensions, Soft Close Undermount slide

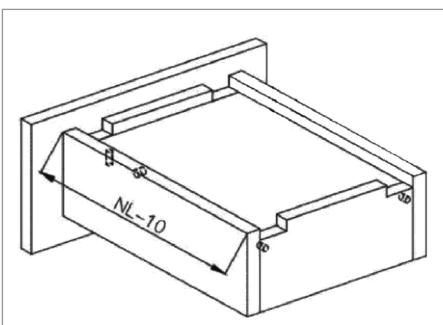
#### Features:

- One-way extension
- Tool free assembly and removal of drawer
- Drawer height adjustment: 0~+3mm
- Loading capacity: 25Kg

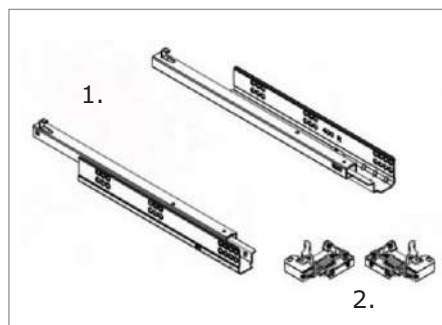
#### Consisting Items:

1. Concealed drawer runners - Left / Right
2. Locking brackets

### Space Requirement



### Kit Package

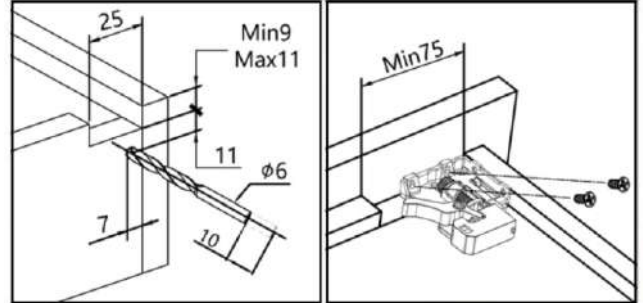
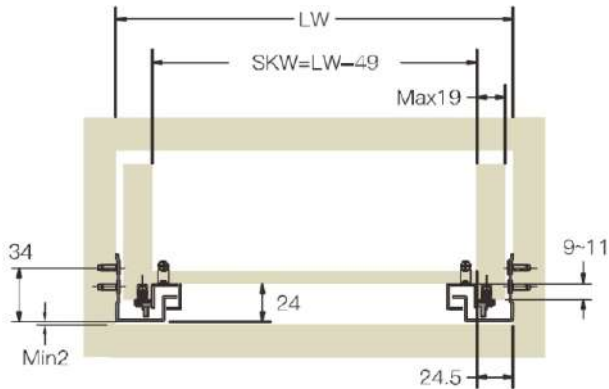


Nominal Length NL	Soft close drawer item no.	Set/Pair
250mm	CRSE14625	1
300mm	CRSE14630	1
350mm	CRSE14635	1
400mm	CRSE14640	1
450mm	CRSE14645	1
500mm	CRSE14650	1
550mm	CRSE14655	1

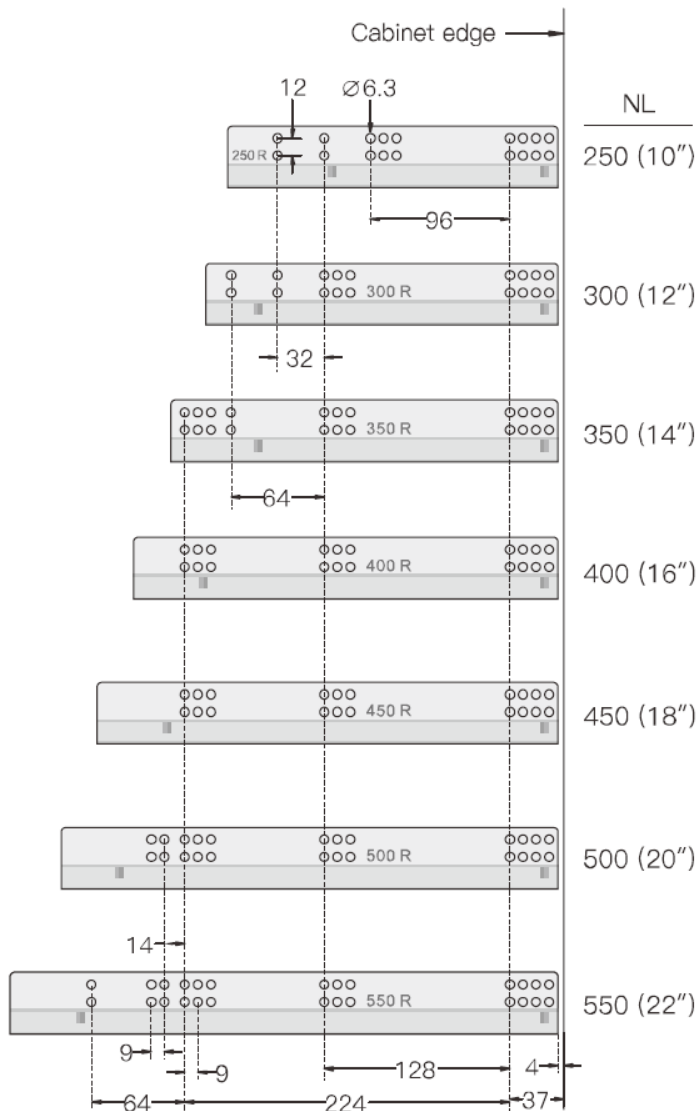
## Installation Dimension (mm)

SKW= Internal drawer width  
 LW= Internal cabinet width

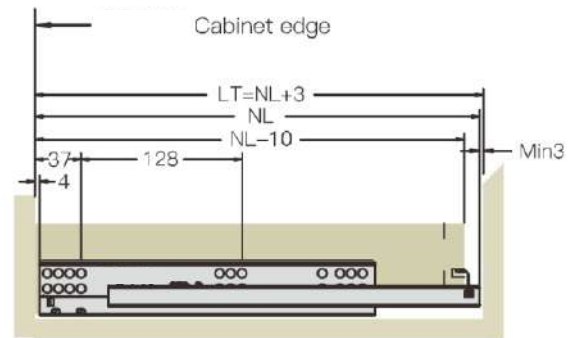
NL= Slide length  
 LT= Internal cabinet depth



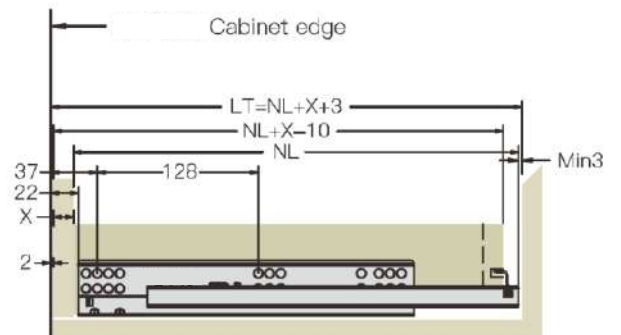
## Installation Dimension (mm)



## Drawers Dimension (mm)



Standard Drawer



Internal Drawer



### Synchronized Full Extension Push to Open with Soft Closing Undermount Slides (locking bracket and stabilizing bar with the kit)

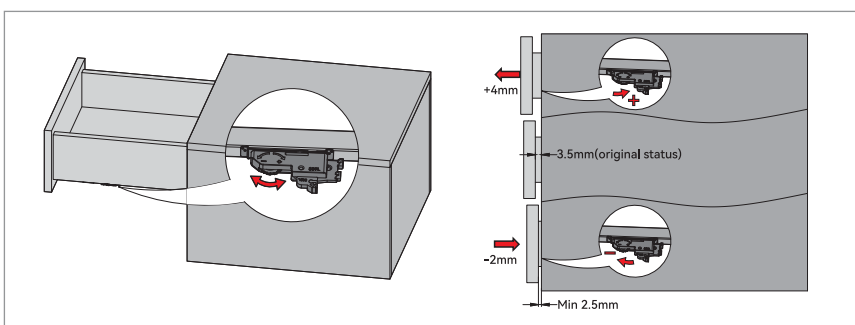
#### Features:

- Loading capacity: 35Kg.
- Length : 300x550mm
- Drawer height adjustment: 0~+3mm
- Drawer width adjustment: +1.5mm
- Front panel gap adjustment: -2.5~+4mm

#### Consisting Items:

1. Concealed drawer runners - Left / Right
2. Locking brackets

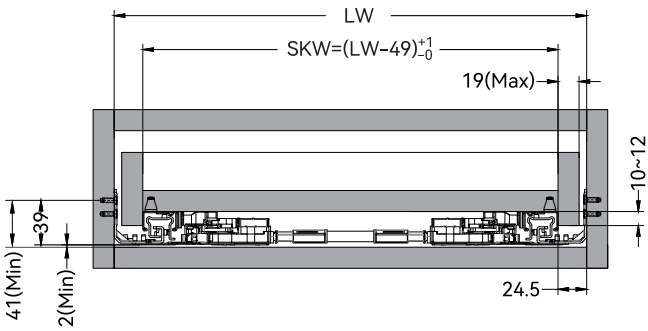
### Front Panel gap adjustment (+4~-2mm)



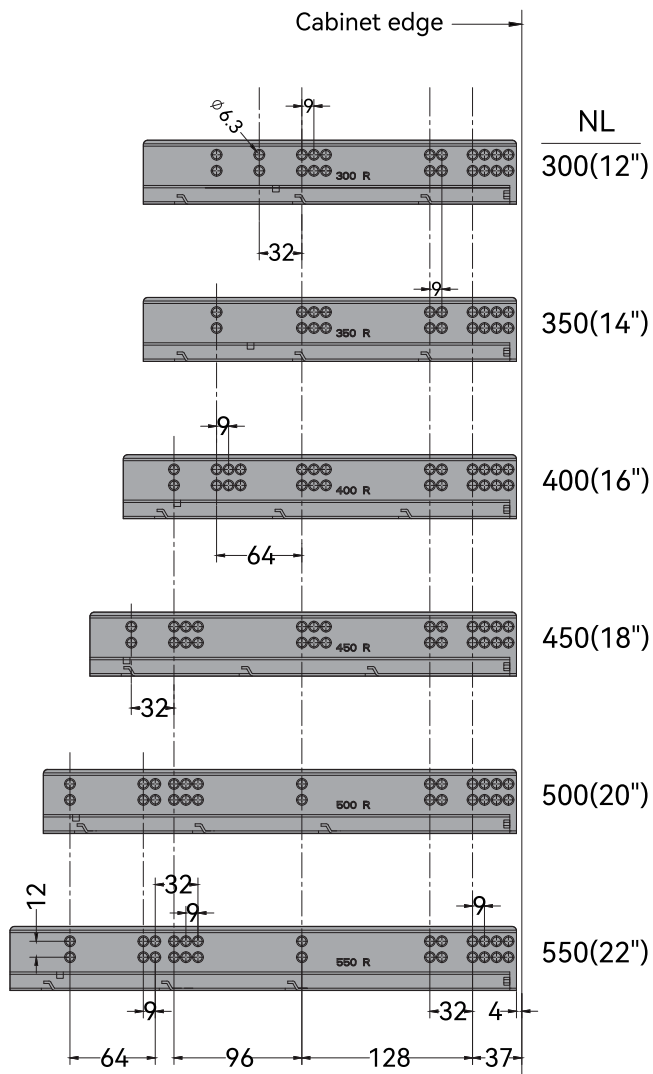
Nominal Length NL	Soft close drawer item no.	Set/Pair
300mm	CRPOS8030	1
350mm	CRPOS8035	1
400mm	CRPOS8040	1
450mm	CRPOS8045	1
500mm	CRPOS8050	1
550mm	CRPOS8055	1
600mm	CRPOS8060	1

Load capacity : 35Kg.  
 Length : 300-550mm  
 Drawer height adjustment : 0~+3mm  
 Drawer width adjustment : ±1.5mm

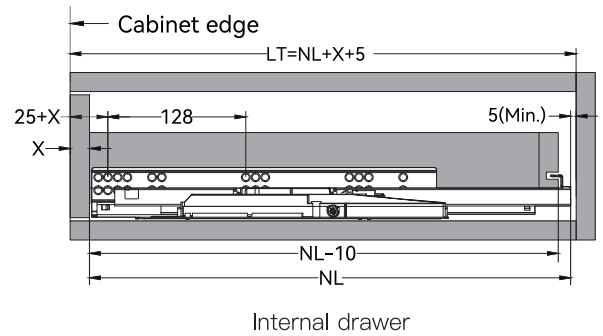
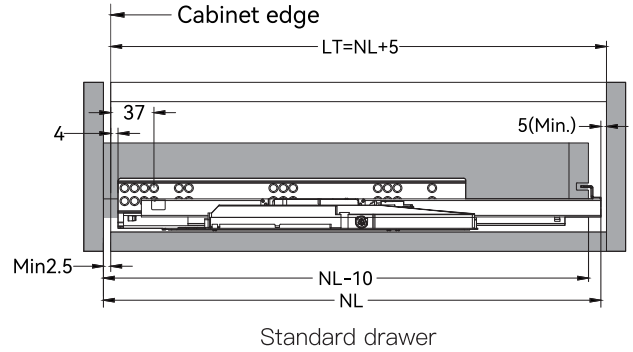
Installation dimensions (mm)  
 SKW = Internal drawer width  
 LW= Internal cabinet width (LW>300mm)



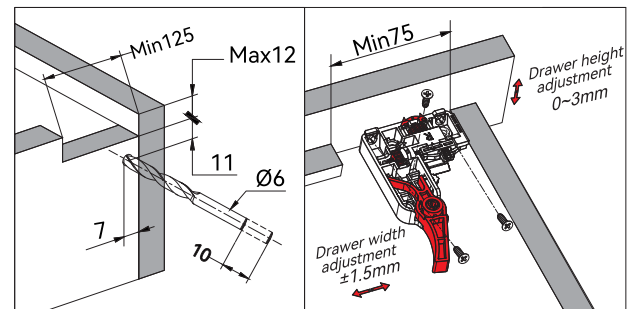
### Hole Position (mm)



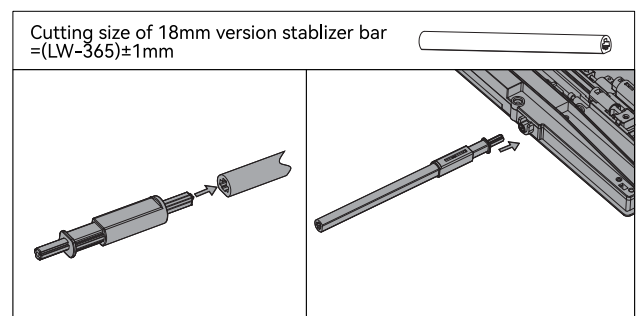
Installation dimensions (mm)  
 NL= Nominal Length  
 LT= Internal cabinet depth  
 X= Front panel thickness



### Drawer size and drilling (mm)



### Installation steps for stabilizer bar



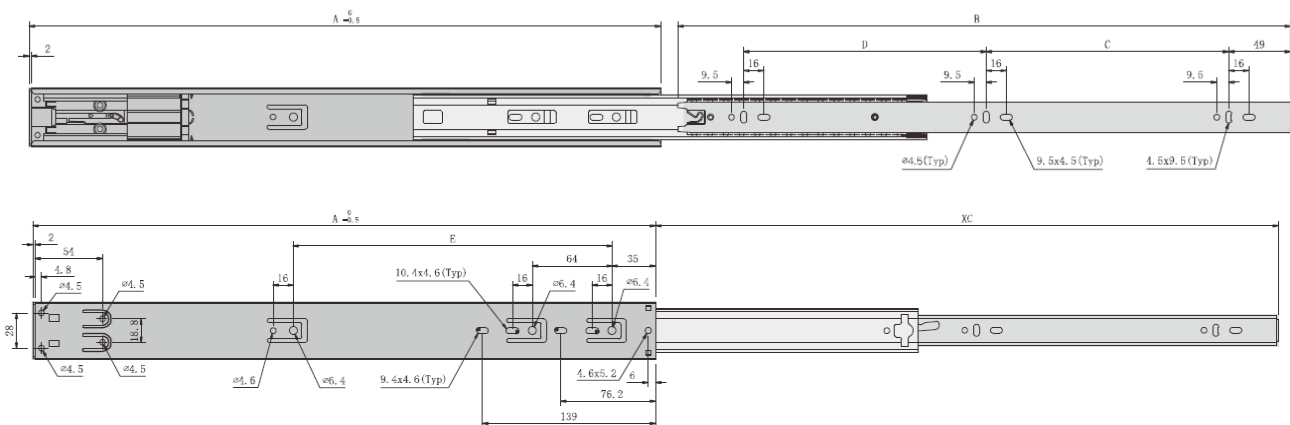




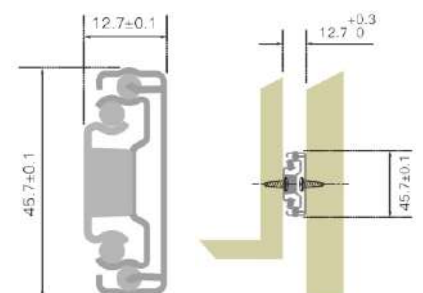
## Push Open Full Extension Ball Bearing Slides

### Features:

- Width: 45.7mm
- Thickness: 12.7mm ± 0.1 (1/2")
- Loading capacity: 30kg
- Finish: Black, Zinc Plated
- Material thickness: 1.2x1.2x1.5mm

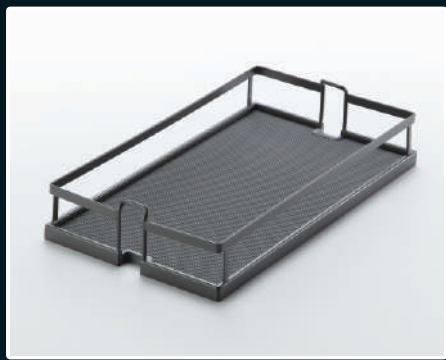


Nominal Length NL	Soft close drawer item no.	Set/Pair
300mm	BBRPO18730	1
350mm	BBRPO18735	1
400mm	BBRPO18740	1
450mm	BBRPO18745	1
500mm	BBRPO18750	1
550mm	BBRPO18755	1
600mm	BBRPO18760	1





 EUROART



Kitchen Fittings

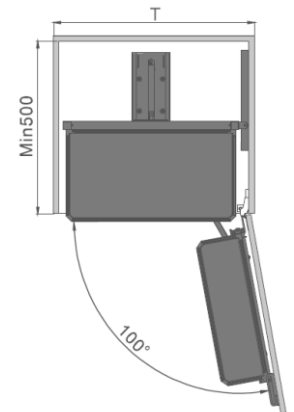
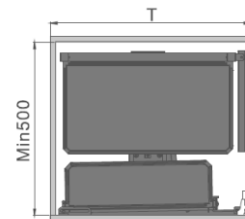


## Pantry Unit Glass Basket



### Features

- Perfect connection between basket & door.
- Clear classification, more storage space, convenient and smooth operation.
- Flat glass basket solid base.
- Heavy duty slide with soft closing.
- Total loading capacity: 70kg.
- Loading capacity : 10Kg. for big basket  
2Kg. for small basket.
- Cabinet width: 450 & 600mm.
- Finish: Dark grey.



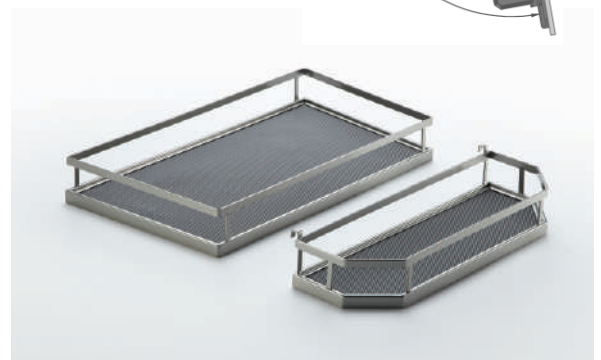
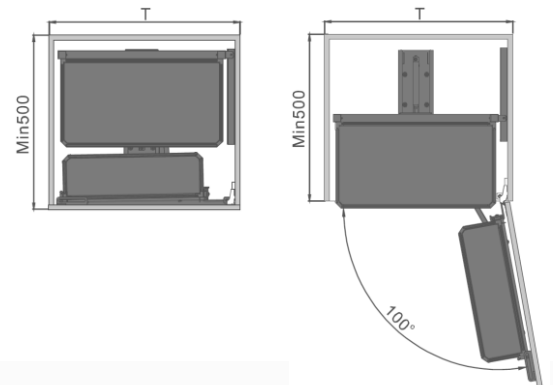
Item Code	Layers	Cabinet Width (mm)	WxDxH (mm)
KG1208S.6-45/DG	6	450	410x500x1690
KG1208S.6-60/DG	6	600	560x500x1690

## Pantry Unit Steel Basket



### Features

- Perfect connection between basket & door.
- Clear classification, more storage space, convenient and smooth operation.
- Flat steel basket solid base.
- Heavy duty slide with soft closing.
- Total loading capacity: 70kg.
- Loading capacity : 10Kg. for big basket  
2Kg. for small basket.
- Cabinet width: 450 & 600mm.
- Finish: Dark grey.

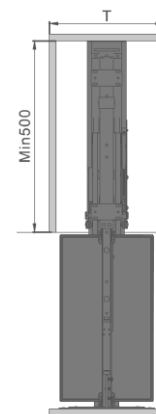


Item Code	Layers	Cabinet Width (mm)	WxDxH (mm)
KW1208S.6-45/CP	6	450	410x500x1690
KW1208S.6-60/CP	6	600	560x500x1690

**Tall Pull out Unit - Glass Basket**

**Features**

- Assorted, more storage space, convenient and smooth operation.
- Flat glass basket solid base.
- heavy duty slide with soft closing.
- Total loading capacity: 70kg.
- Loading capacity per layer: 10kg.
- Cabinet width: 150, 300 & 400mm.
- Finish: Dark grey



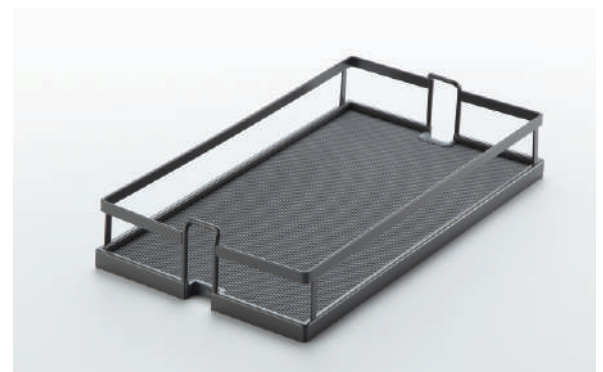
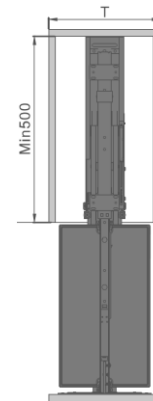
Item Code	Layers	Cabinet Width (mm)	WxDxH (mm)
KG1205S.6-15/DG	6	150	113x500x1970-2270
KG1205S.6-30/DG	6	300	245x500x1970-2270
KG1205S.6-40/DG	6	400	345x500x1970-2270

## Tall Pull out Unit - Steel Basket



### Features

- Assorted, more storage space, convenient and smooth operation.
- Steel basket solid base.
- heavy duty slide with soft closing.
- Total loading capacity: 70kg.
- Loading capacity per layer: 10kg.
- Cabinet width: 150, 300 & 400mm.
- Finish: Dark grey

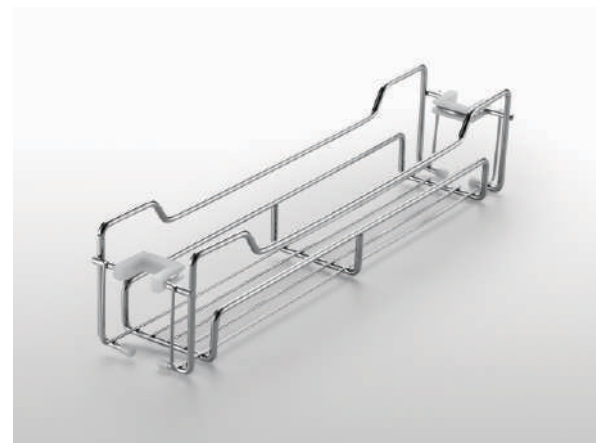
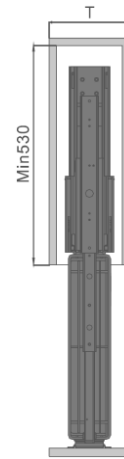


Item Code	Layers	Cabinet Width (mm)	WxDxH (mm)
KW1205S.6-15/CP	6	150	113x500x1970-2270
KW1205S.6-30/CP	6	300	245x500x1970-2270
KW1205S.6-40/CP	6	400	345x500x1970-2270

**Tall Bottle Pull Out Unit**

**Features**

- Clear classification, more storage space, convenient and smooth operation.
- Wire basket.
- heavy duty slide with soft closing.
- Total loading capacity: 65kg.
- Loading capacity per layer: 10kg.
- Cabinet width: 150mm.
- Finish: Chrome.



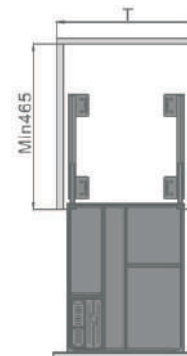
Item Code	Layers	Cabinet Width (mm)	WxDxH (mm)
KW1207S.6-15/CP	6	150	105x505x1970x2270

## Multi Glass Basket



### Features

- Clip-on two way slow motion slides.
- Soft closing distance: 53mm
- For pots and pans, bottles etc.
- Multi glass basket with synchronised concealed runners.
- Loading capacity: 35kg
- Finish: Dark grey

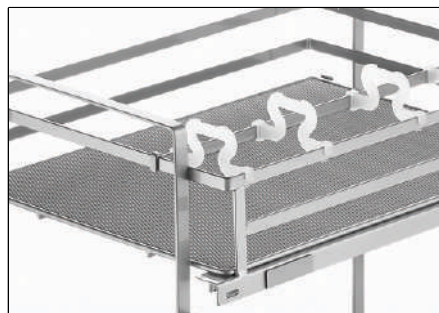
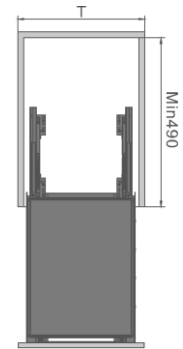


Item Code	Cabinet Width (mm)	WxDxH (mm)
KG2428S-30/DG	300	250x460x523
KG2428S-40/DG	400	350x460x523

**Multi Steel Basket**

**Features**

- Clip-on two way slow motion slides
- Soft closing distance: 53mm.
- For pots and pans, big plates etc.
- Multi steel basket solid base.
- Loading capacity: 15kg.
- Finish: Grey.

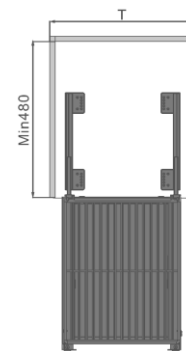


Item Code	Cabinet Width (mm)	WxDxH (mm)
KW2430S-30/Grey	300	234x474x530
KW2430S-40/Grey	400	343x474x530

**Two Layers Basket**

**Features**

- Clip-on two way slow motion slides, with wooden bottom and two layers wire baskets.
- Soft closing distance: 53mm.
- For pots, big plates, bottles, jars etc.
- Loading capacity: 35kg.
- Finish: Chrome



Item Code	Cabinet Width (mm)	WxDxH (mm)
KW2420S-30/CP	300	240x460x500
KW2420S-35/CP	350	290x460x500
KW2420S-40/CP	400	340x460x500
KW2420S-50/CP	500	440x460x500

**Spice Pull out Glass Basket**

**Features**

- Clip-on two way slow motion slides with glass basket.
- Soft closing distance: 53mm.
- For all kinds of spice bottles.
- Left and right installation options.
- Loading capacity: 15kg.
- Finish: Dark grey



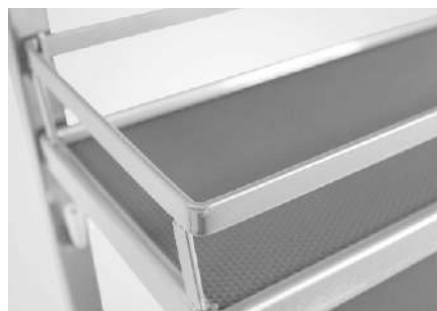
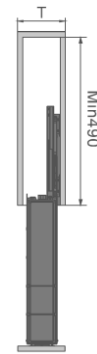
Item Code	Cabinet Width (mm)	WxDxH (mm)
KG2358SR-20/DG	200	152x490x585
KG2358SL-20/DG	200	152x490x585

## 2 Layer Spice Pull out - Steel Basket



### Features

- Clip-on two way slow motion slides for side mounted baskets.
- Soft closing distance: 53mm.
- Left and right installation options.
- For all kinds of spice bottles.
- Loading capacity: 15kg.
- Finish: Grey

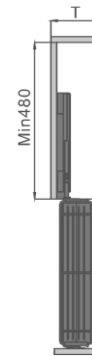


Item Code	Cabinet Width (mm)	WxDxH (mm)
KW2360SR-15/Grey	150	105x482x510
KW2360SL-15/Grey	150	105x482x510
KW2360SR-20/Grey	200	155x482x510
KW2360SL-20/Grey	200	155x482x510

**2 Layer Spice Pull out - Wire Basket**

**Features**

- Clip-on two way slow motion slide with side mounted baskets.
- Soft closing distance: 53mm.
- Left and right installation options.
- For all kinds of spice bottles.
- Loading capacity: 15kg.
- Finish: Chrome



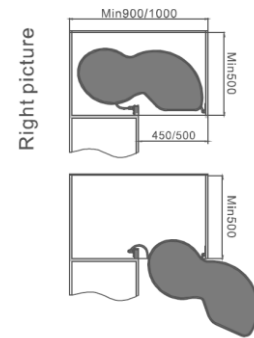
Item Code	Cabinet Width (mm)	Wxdxh (mm)
KW2335SR-15/CP	150	108x465x550
KW2335SL-15/CP	150	108x465x550
KW2335SR-20/CP	200	150x465x550
KW2335SL-20/CP	200	150x465x550

## Two Layers S-Tray



### Features

- Two way slow motion: Make good use of corner space, left and right installation for choice,
- Loading capacity per layer: 15kg.
- For pots and pans, big utensils etc.
- Soft closing two layers s-tray
- Total loading capacity: 30kg
- Finish: Matt Nickel

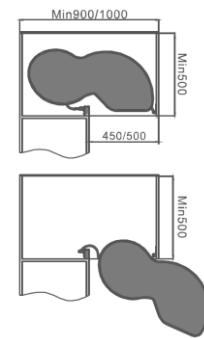


Item Code	Cabinet Width (mm)	WxDxH (mm)
KW2202SR-90/MN	Min 900	830x440x540
KW2202SL-90/MN	Min 900	830x440x540

**Two Layers S-Tray**

**Features**

- Two way slow motion for corner space, left and right installation for choice.
- Loading capacity per layer: 15kg.
- For pots and pans, big utensils etc.
- Soft closing two layers s-tray.
- Total loading capacity: 30kg.
- Finish: Grey+Chrome



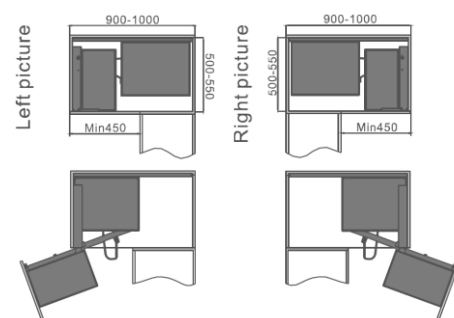
Item Code	Cabinet Width (mm)	WxDxH (mm)
KW2202SR-90/G+CP	Min 900	840x460x595
KW2202SL-90/G+CP	Min 900	840x460x595

## Magic Corner Glass Basket



### Features

- Soft closing, basket freely combination for corner space, left and right installation for choice.
- For pots and pans, big utensils etc.
- High strength steel frame, movable glass basket.
- Loading capacity: 27kg.
- Finish: Dark grey



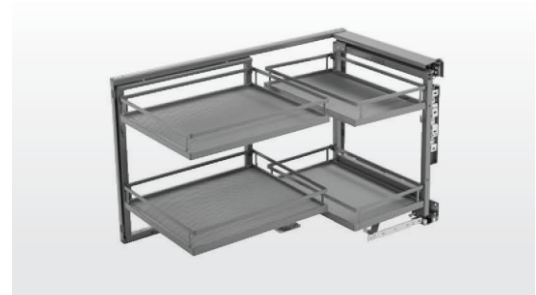
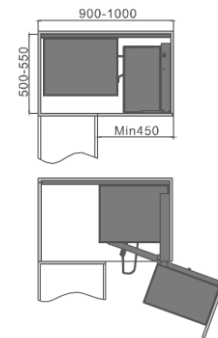
Item Code	Cabinet Width	WxDxH (mm)
KG2106SR-90/DG	Min 900mm	860-968x500-550x530
KG2106SL-90/DG	Min 900mm	860-968x500-550x530

## Magic Corner Steel Basket



### Features

- Soft closing, basket freely combination for corner space, left and right installation for option.
- For pots and pans, big utensils etc.
- High strength steel frame, movable wood panel baskets.
- Loading capacity: 27kg.
- Finish: Matt Nickel

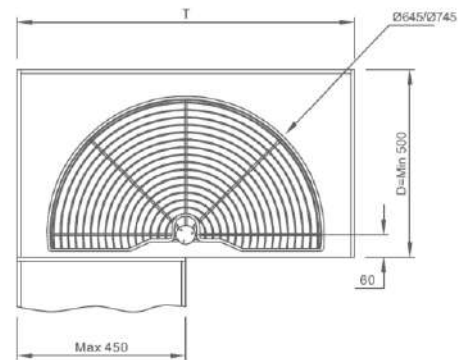


Item Code	Cabinet Width (mm)	WxDxH (mm)
KW2106SR-90/MN	Min 900	860x968x500-500x530
KW2106SL-90/MN	Min 900	860x968x500-500x530

**Revolving Corner Unit with Steel + Wood**

**Features:**

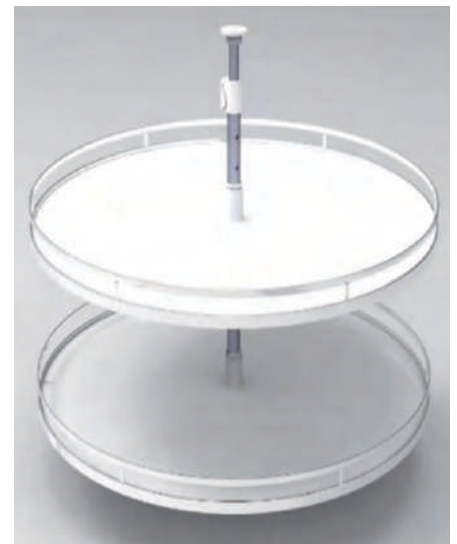
- Area of applications: For overlay doors
- Weight capacity :
- Basket options:    180° revolving  
                              270° Revolving  
                              360° Revolving
- Material: Steel with wooden base.
- Finish: Chrome



180 Degree



270 Degree



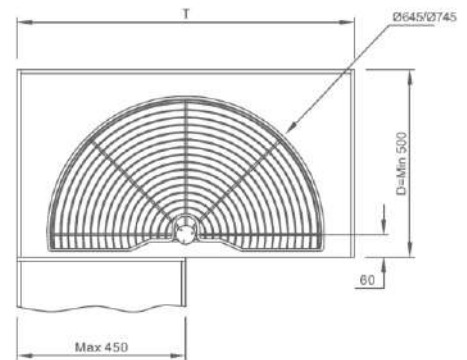
360 Degree

Item Code	Cabinet Width (mm)	WxDxH (mm)
REVO180-90/CP	900	810x520x600-750
REVO270-90/CP	900	810x520x600-750
REVO360-90/CP	900	810x520x600-750

**Revolving Corner Unit**

**Features:**

- Area of applications: For overlay doors
- Wire basket.
- Basket options:    180° revolving  
                              270° Revolving  
                              360° Revolving
- Material: Steel - spindle and carousels  
              plastic - bearing components.
- Finish: Chrome



180 Degree



270 Degree



360 Degree

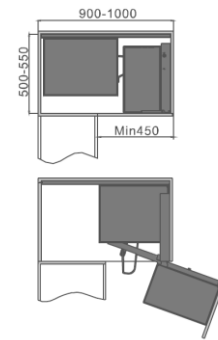
Item Code	Cabinet Width (mm)	WxDxH (mm)
WIRE180-90/CP	900	745x400x600-750
WIRE270-90/CP	900	745x400x600-750
WIRE360-90/CP	900	745x400x600-750

## Flex Corner Steel Basket



### Features

- Soft closing, basket freely combination for corner space, left and right installation for option.
- For pots and pans, big utensils etc.
- High strength steel frame, movable wood panel baskets.
- Loading capacity: 27kg.
- Finish: Electroplating / Wood Board



Item Code	Cabinet Width (mm)	WxDxH (mm)
KW5202SR-80/CP	Min 800	600x460x565
KW2106SL-90/CP	Min 900	640x460x565



 **EUROART**



Lift Up & Flap Stay System

## Manual Parallel Lift

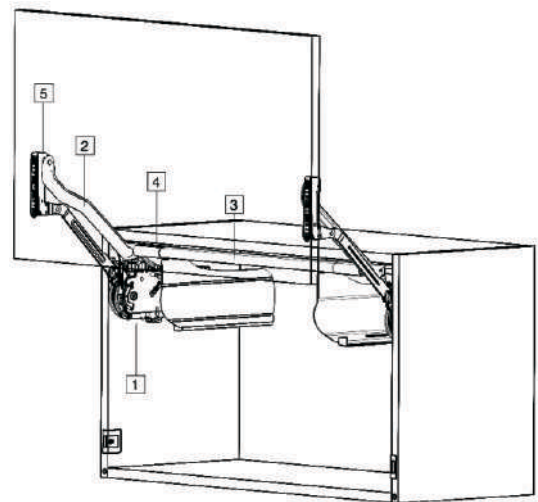
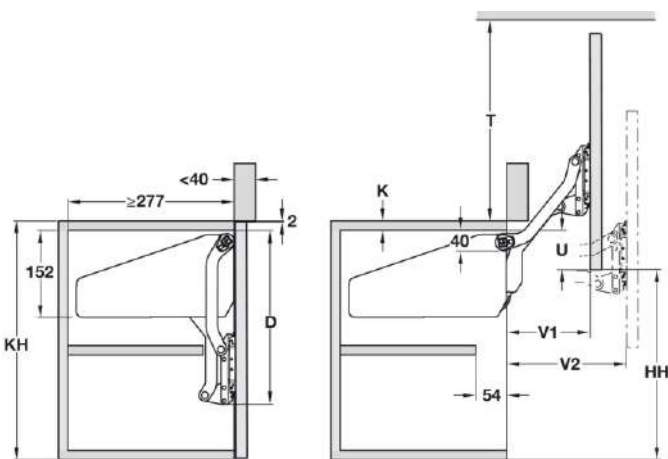


**Features:**

- Easy installation and adjustment
- 3D door adjustment
- Moment of force is adjustable according to door weight
- Cabinet height ranges from 450mm to 580mm
- Cabinet width ranges from 400mm to 1200mm
- Minimum interior cabinet depth: 300mm
- Anti-pinch function stop close when the door meet strong resistance

**Consisting items:**

1. Door weight and balanced mechanism
2. Swing arm
3. Oval stabilizer rod
4. Oval stabilizer rod connector
5. Arm assembly mounting plate

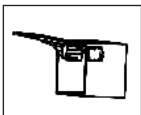


Power Factor	Item no.	Loading Capacity	Set/Pair
1500 - 3000N	EAFE01-H-A	3-6 kg	1
2500 - 5000N	EAFE01-H-B	5-9 kg	1

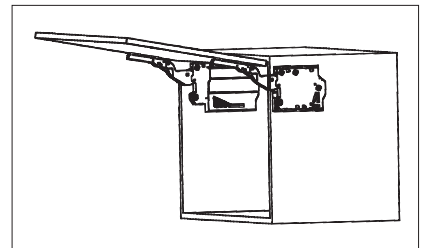
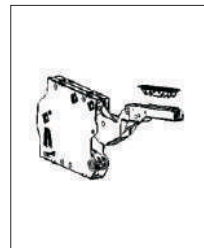
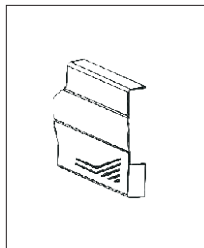
**Manual**

**Features:**

- Soft and silent close
- Easy installation and adjustment
- Moment of force is adjustable according to door weight
- Door stay in desired position from 25°-100°
- Cabinet height ranges from 300mm to 600mm
- Cabinet width ranges from 380mm to 1800mm
- Minimum interior cabinet depth: 261mm

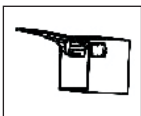

**Individually Packed**

Power Factor	Item Code	Loading Capacity	Set/ctn
1000-3000N	EAFH01-H-A	3-6 kg	1
3000-6000N	EAFH01-H-B	6-9 kg	1
6000-9000N	EAFH01-H-C	9-12 kg	1

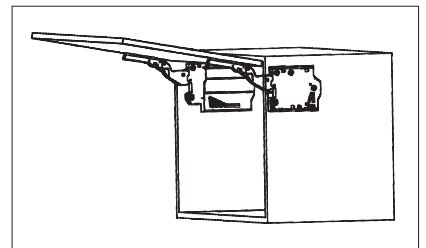
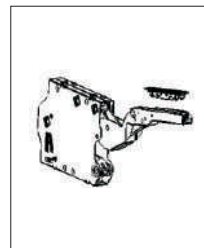
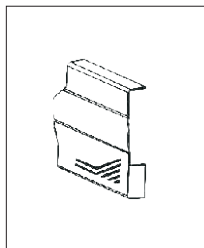

**Push to Open**

**Features:**

- Push the door slightly to open it
- Easy installation and adjustment
- Moment of force is adjustable according to door weight
- Door stay in desired position from 25°-100°
- Cabinet high ranges from 300mm to 600mm
- Cabinet width ranges from 380mm to 1800mm
- Minimum interior cabinet depth: 261mm


**Individually Packed**

Power Factor	Item Code	Loading Capacity	Set/ctn
1000-9000N	EAFT01-H-A	3-10 kg	1



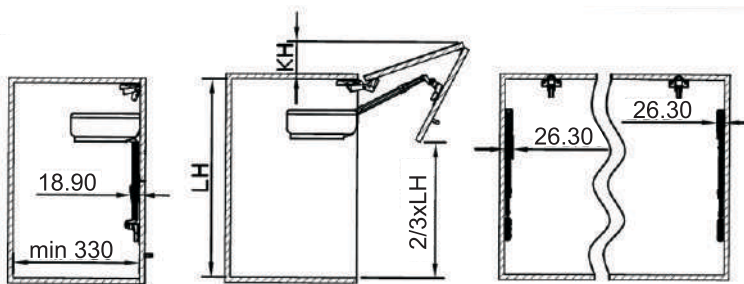
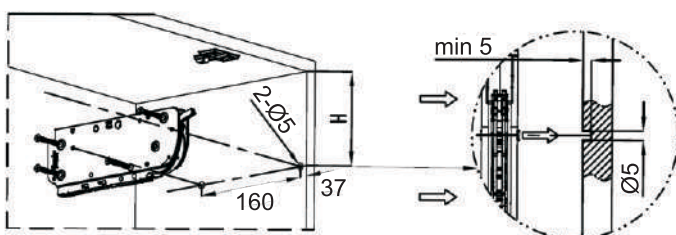
**Bi-Fold Top Stay**

**Features:**

- Staying angle in any position between 45°~120°
- Door weight (including the handle weight): 7-10 kg.
- 3 Dimension fine tuning: Up & down, left & right, forward & backward ± 2.0mm
- Cabinet height: 600~1040mm
- Cabinet width: Below 1200mm
- Minimum interior cabinet depth: 300mm
- With soft opening and closing mechanism.

Individually Packed

Item Code	Loading Capacity	Set/ctn
EAFL01-H-A	7-10 Kg	1

**Space reserved for installation**

**Positioning hole**


8 x Wood screws Ø4x35mm

## Manual Top Stay

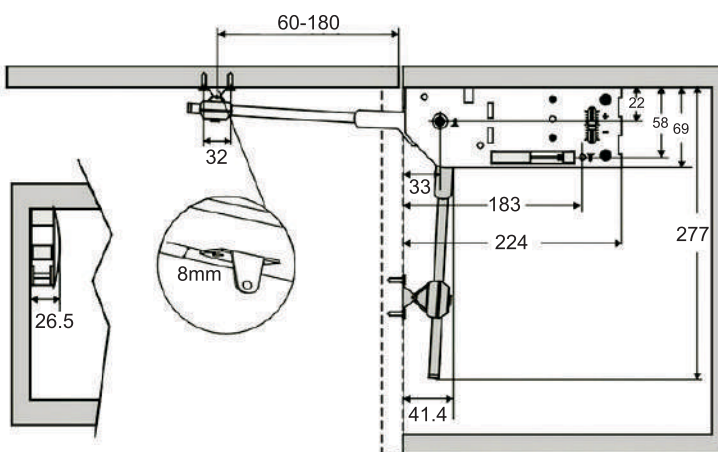


### Features:

- Lapcon stay for upward-opening flap doors.
- Lift-assist mechanism for extra light opening.
- Door stays in any desired position.
- Damper equipped for soft & silent closing at the end.
- Slim design and installed location maximizes space inside of cabinet.
- Simple installation by aligning body to edge of cabinet.
- Recognized by LGA for 40,000 cycles.
- Single or pair use allows wide range of door size/weight.
- 3 functions on 1 stay - lift-assist, free stop, soft close.

### Individually Packed

Item Code	Loading Capacity	Set/ctn
EAYA-127A	4 Kg	1

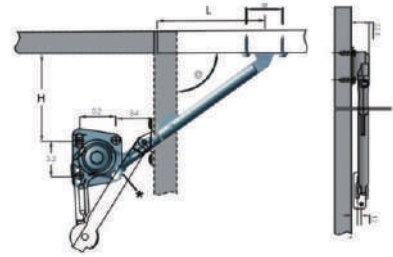


## EAYA101



@	H	L
75°	80	116
90°	80	96
110°	80	86

Installation illustration



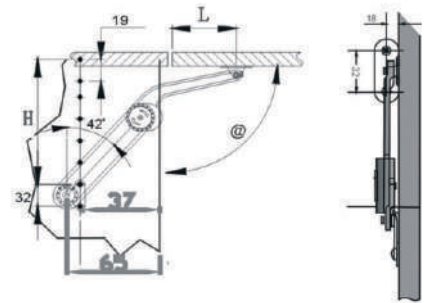
Finish: Nickel Plated

## EASB005



@	H	L
75°	205	198
90°	180	176
110°	180	128

Installation illustration



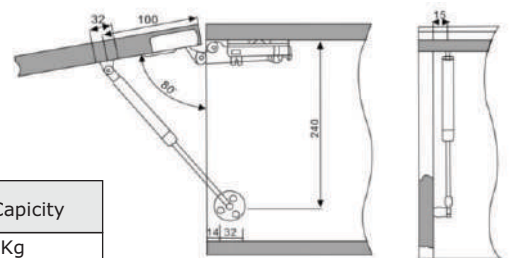
Finish: Nickel Plated

## Flap Stay & Gas Lift



Item no.	Spring Force	Loading Capacity
EASB006-100N	100	4-6 Kg
EASB006-120N	120	4-6 Kg
EASB006-150N	150	4-6 Kg

Installation illustration

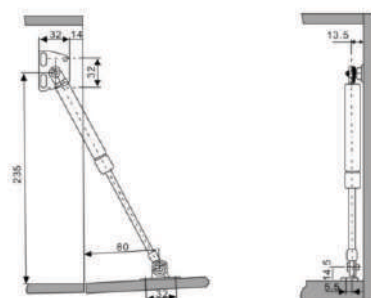


Finish: Nickel Plated

## EASB007 (Drop Down System)



Installation illustration



Finish: Nickel Plated



 **EUROART**



**Kitchen Accessories**

---

## Lift Basket



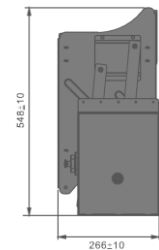
**Glass Basket**



**Wire Basket**

### Features

- Soft opening and closing, adjustable loading capacity, optimum use of wall cabinets
- For pots and pans, jars bottles etc.
- Loading capacity: 15kg
- Finish: Dark grey



Item Code - Glass	Item Code - Wire	Cabinet Width	WxDxH (mm)
KG3303S-60/DG	KW3302S-60/DG	600mm	560x280x560
KG3303S-70/DG	KW3302S-70/DG	700mm	660x280x560
KG3303S-80/DG	KW3302S-80/DG	800mm	760x280x560
KG3303S-90/DG	KW3302S-90/DG	900mm	860x280x560

## Stainless Steel Dish Rack



### Features

- High-strength stainless steel dish rack.
- Better classification for bowls and plates.
- Finish: Chrome

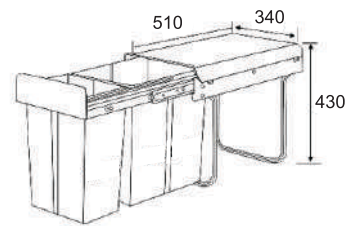


Item Code	Cabinet Width (mm)	WxDxH (mm)
KW3103-60/SS	600	565x280x65
KW3103-70/SS	700	665x280x65
KW3103-80/SS	800	765x280x65
KW3103-90/SS	900	865x280x65
KW3103-100/SS	1000	965x280x65

**Bottom Mounted Waste Bin with Normal Slide**

**Features**

- For hinged door cabinets, for base mounting in cabinet.
- Designed to slide out from the cabinet while the lid remains inside.
- Made of argo fibre plastic with soft closing runner.
- odour control configuration because of the lid placement.
- Finish: White / Grey
- Capacity: 40 Litres.

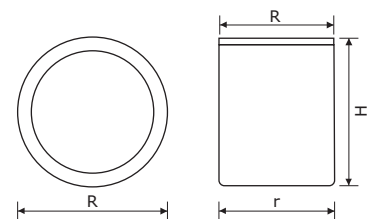


Item Code	Capacity	Size (mm)
EADB-20A	40L (2x20L)	340x510x430

**Door Mounted Waste Bin**

**Features**

- Easy assembly.
- Left or right mounting.
- Automatic sliding lid while opening and closing the door.
- Loading capacity: 9 & 14 Liters
- Finish: Silver

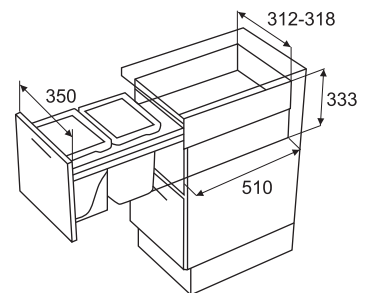


Item Code	Capacity	Size (mm)
EAWBINS14L	14L	335x275x350
EAWBINS09L	9L	310x255x330

**Waste Bin with Soft Closing Slide**

**Features**

- Easy to install and remove - frame components are bayonet mounted; the entire system can be easily detached from the runners.
- Automatic closure and soft closing mechanism.
- Door front fittings adjust for easy removal and to grip bin bags.
- odour control configuration because of the lid placement.
- Made of argo fibre plastic.
- Finish: White / Grey
- Capacity: 26 Litres.

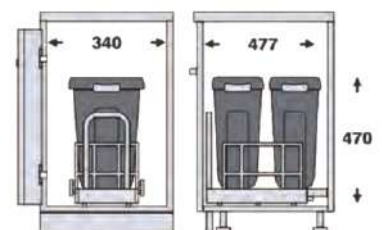


Item Code	Capacity	Size (mm)
EASTD350-13NS	26L (2x13L)	312-318x510x333

**Waste Bin with Soft Closing Slide**

**Features**

- Easy to install and remove - frame components are bayonet mounted; the entire system can be easily detached from the runners.
- Soft closing mechanism.
- Door front fittings adjust for easy removal and to grip bin bags.
- odour control configuration because of the lid placement.
- Made of argo fibre plastic.
- Finish: White / Grey
- Capacity: 42 Litres.

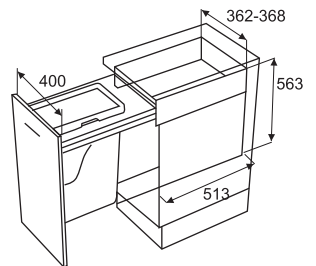


Item Code	Capacity	Size (mm)
EAWB400-21S	42L (2x21L)	340x477x470

### Waste Bin with Soft Closing Slide


**Features**

- Easy to install and remove - frame components are bayonet mounted; the entire system can be easily detached from the runners.
- Automatic closure and soft closing mechanism.
- Door front fittings adjust for easy removal and to grip bin bags.
- odour control configuration because of the lid placement.
- Made of argo fibre plastic.
- Finish: White / Grey
- Capacity: 35 Litres.

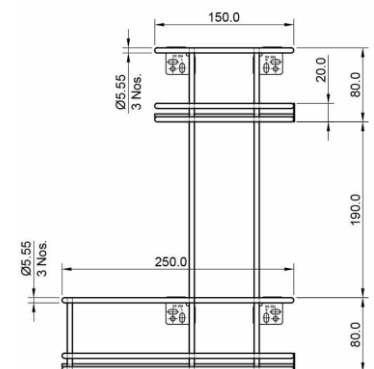


Item Code	Capacity	Size (mm)
EASTD400-35NS	35L (1X35L)	362-368x513x563

### Side Mounted Detergent Pull out


**Features**

- Side mounted sliding detergent pull out.
- Soft closing mechanism.
- Strong frame, two layers wire basket
- Loading capacity: 15kg
- Finish: Chrome

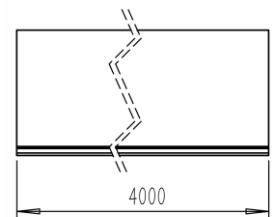
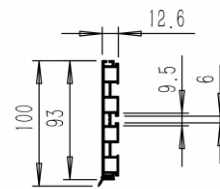


Item Code	Size (mm)
EADP001-CP	Width 250, Height 350, Depth 400

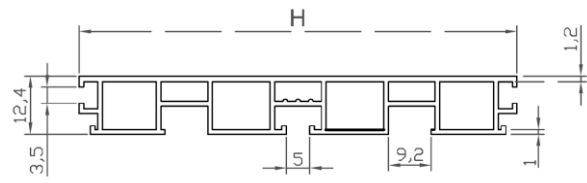
**Aluminium Foil PVC Skirting**

**Features:**

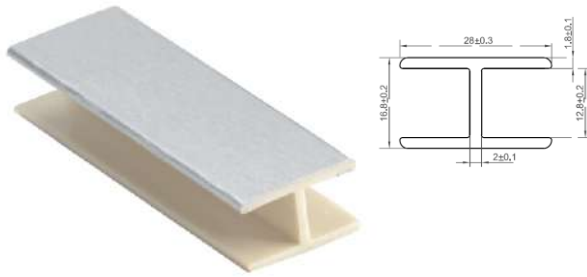
- Strong texture made from virgin pvc
- Excellent quality, using hot-melt adhesive to keep alum. foil from peeling off
- Elegant appearance with durability
- Waterproof, anti-microbial, anti corrosion
- Applied to kitchen, bathroom
- Finish: Silver, Aluminum Brushed, Black, White, Champagne



Item Code Alum. Foil PVC	Item Code Wood Grain	Item Code White PVC	Item Code Black	Height(mm)	Length(mm)
EASP-80	EASP-80/WG	EASP-80/WHT	EASP-80/BL	80	4000
EASP-100	EASP-100/WG	EASP-100/WHT	EASP-100/BL	100	4000
EASP-120	EASP-120/WG	EASP-120/WHT	EASP-120/BL	120	4000
EASP-150	EASP-150/WG	EASP-150/WHT	EASP-150/BL	150	4000



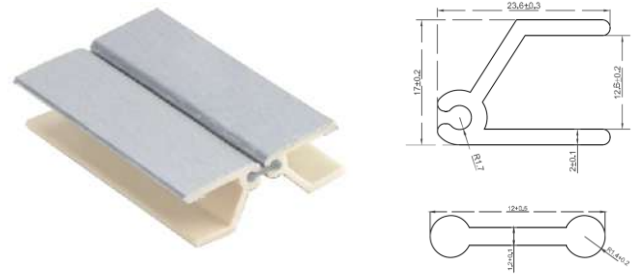
## Aluminium Foiled PVC Joint Corner



Finish: Silver, Black, Champagne

Item No.	Height(mm)
EAEA80	80
EAEA100	100
EAEA120	120
EAEA150	150

## 360° Aluminium Foiled Flexible Corner



Finish: Silver, Black, Champagne

Item No.	Height(mm)
EAE360-80	80
EAE360-100	100
EAE360-120	120
EAE360-150	150

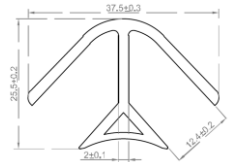
## 90° Pvc Corner



Wood Grain

White

Aluminium Silver



Item Code - Grain PVC Corner	Item Code - White PVC Corner	Item Code - Alum. Foiled PVC Corner	Height(mm)
EAEG80	EAEW80	EAE80	80
EAEG100	EAEW100	EAE100	100
EAEG120	EAEW120	EAE120	120
EAEG150	EAEW150	EAE150	150

### Wood Grain Pvc Skirting



Item No.	Height(mm)
EASKG80	80
EASKG100	100
EASKG120	120
EASKG150	150

### Matt White Pvc Skirting



Item No.	Height(mm)
EASK80	80
EASK100	100
EASK120	120
EASK150	150

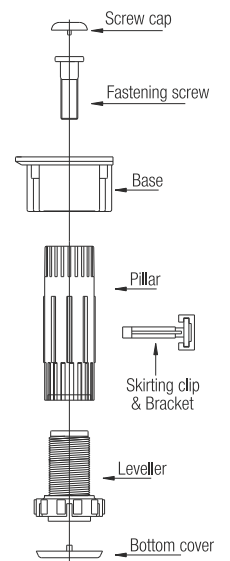
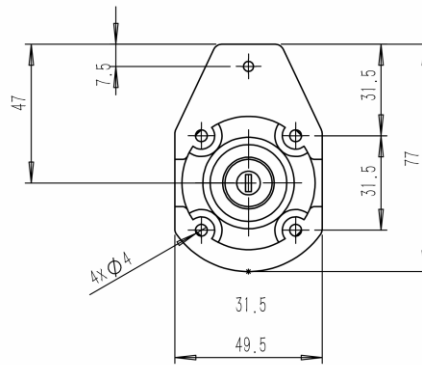
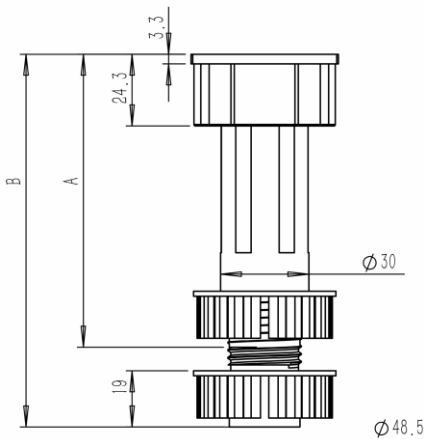
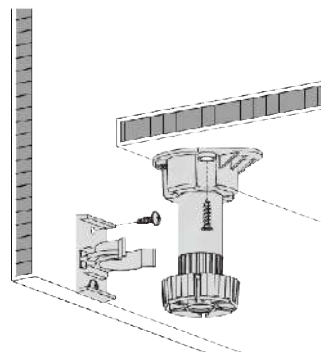
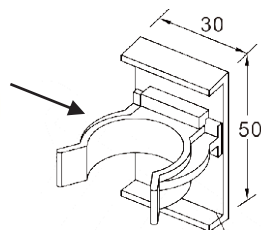
**EAL602**

**Product Description:**

- Made out of reinforced Nylon plastic that is strong, durable, moisture-proof and corrosion-resistant for long-lasting use.
- Models available with minimum shut height of 80, 100, 120 & 150mm
- Adjustment of height - 20mm
- Skirting clip with the bracket to attach PVC skirting boards to the front of pedestal units.
- Load capacity 150kg for a pair.
- Finish : Black



Item No.	Height - A	Adjustment - B
EAL602-80	80mm	20mm
EAL602-100	100mm	30mm
EAL602-120	120mm	30mm
EAL602-140	140mm	30mm

**Installation**

**EAPC9001-Clip for screw fixing**


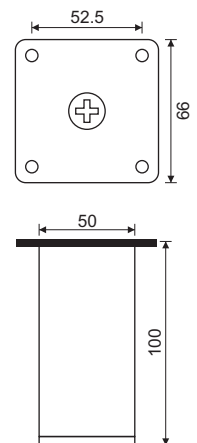
## EAFE5070



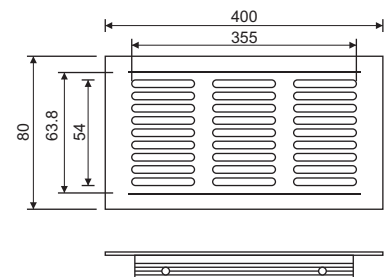
### Product Description:

- Made out of stainless steel that is strong, durable, moisture-proof and corrosion-resistant for long-lasting use.
- Models available with minimum shut height of 80, 100, 120 & 150mm
- Adjustment of height - 20mm
- Skirting clip with the bracket to attach PVC skirting boards to the front of pedestal units.
- Load capacity 150kg for a pair.
- Finish : SSS

Item No.	Height - A	Adjustment - B
EAFE5070-80	80mm	20mm
EAFE5070-100	100mm	30mm
EAFE5070-120	120mm	30mm
EAFE5070-150	150mm	30mm



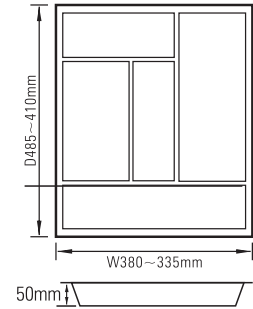
## EAVS-400 - Ventilation Grill



**EACT1002**

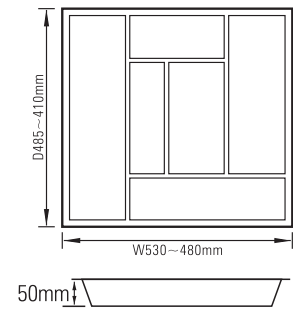
**Product Description:**

- Material : ABS
- Finish : Grey / White
- Applicable Cabinet : 450mm


**EACT1004**

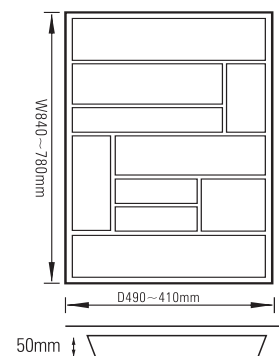
**Product Description:**

- Material : ABS
- Finish : Grey / White
- Applicable Cabinet : 600mm


**EACT1007**

**Product Description:**

- Material : ABS
- Finish : Grey / White
- Applicable Cabinet : 900mm



**EACT2016****Product Description:**

- Material : SS 304 Grade
- Size : 103x422x472x520mm
- Depth : 65mm
- Finish : Grey

**EACT2018****Product Description:**

- Material : SS 304 Grade
- Size : 280x422x472x520mm
- Depth : 65mm
- Finish : Grey

**EACT2019****Product Description:**

- Material : SS 304 Grade
- Size : 280x422x472x520mm
- Depth : 65mm
- Finish : Grey

**EACT2020****Product Description:**

- Material : SS 304 Grade
- Size : 380x422x472x520mm
- Depth : 65mm
- Finish : Grey

**EACT2011****Product Description:**

- Material : SS 304 Grade
- Size : 535x422x472x520mm
- Depth : 65mm
- Finish : Grey

**EACT2014****Product Description:**

- Material : SS 304 Grade
- Size : 816x422x472x520mm
- Depth : 65mm
- Finish : Grey

**NOTES**



#### **Sales Office**

Euro Art (UK) LTD.  
69 Staverton Road, London  
NW2 5HA

#### **Warehouse**

2 Lower Cockcroft  
Blackburn  
United Kingdom  
BB2 1JD

T.: +44 1254 433883  
M.: +44 787 565 1180  
E.: uk@euro-art.co.uk

#### **Oman Sales Office**

Al Ghala, Muscat  
T.: +968 24 117 173  
M.: +968 77 027 925  
E.: oman@euro-art.co.uk

#### **Middle East, Asia & Africa**

Euro Art (Middle East) FZCO  
Warehouse ZE4  
Jebel Ali Free Zone  
Dubai, UAE

T.: +971 4 888 6345  
M.: +971 50 297 9761  
E.: me@euro-art.co.uk

#### **Design Centers**

Dubai: Airport Road  
T.: +971 4 295 1105  
M.: +971 54 990 7059  
E.: me@euro-art.co.uk

Abu Dhabi: Najda Street  
T.: +971 2 564 7111  
M.: +971 50 209 9786  
E.: ad@euro-art.co.uk

Doha: Barwa Village  
T.: +974 4 490 7530  
M.: +974 7 733 5728  
E.: qatar@euro-art.co.uk

#### **UAE Distribution Center**

Mobility General Trading LLC  
Industrial Area, Behind Al Khail  
Mall, Al Quoz  
Dubai, UAE

T.: +971 4 269 3832  
M.: +971 50 811 9561  
E.: sc@euro-art.co.uk

#### **Saudi Office (KSA)**

Mobility Arabia Trading  
Company (EuroArt)  
Manar Business Center,  
Khalid Bin Walid Street,  
Rakah Shamaliyah,  
Dammam 34224, Saudi  
Arabia

M.: +966 55 524 0620  
E.: ksa@euro-art.co.uk

[www.euro-art.co.uk](http://www.euro-art.co.uk)