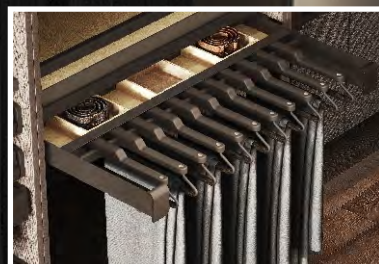
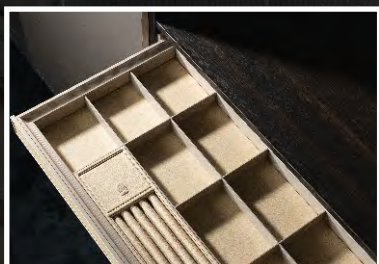




Wardrobe Fittings

Experience the art of organization





Introduction

Welcome to EuroArt Wardrobe Fittings, where luxury and functionality converge to redefine your storage experience. Our catalog presents three major series: The Ambre Series brings a refined warmth to wardrobe interiors with its elegant Mocha and Beige color palette, The Koza Series showcasing leather accents with a Champagne finish. Both ranges offer an exquisite selection of fittings designed to enhance every aspect of your wardrobe.

Within our Meta Series, you'll find a versatile assortment of fittings including trouser racks, manual and electronic wardrobe lifts, biometric drawers, shoe racks, revolving mirrors, revolving corners, wardrobe rails, and more. These fittings are meticulously crafted to ensure optimal organization and convenience in managing your wardrobe essentials.

Moreover, EuroArt Wardrobe Fittings presents an extensive range of options for wardrobe sliding fittings, catering to different shutter types such as wooden, aluminum profile, inline sliding, and Vorfront sliding. Whether you prefer a classic wooden shutter or a contemporary aluminum profile, our sliding fittings offer seamless functionality and style.

We invite you to explore our catalog and discover how EuroArt Wardrobe Fittings can elevate your wardrobe organization with premium materials, innovative designs, and customizable solutions tailored to your unique preferences. Experience the art of organization with EuroArt today.

Guarantee

To support the high quality and first class engineering that has gone into the EuroArt product range, we offer a five to ten years guarantee (subject to conditions) against defects due to faulty manufacturing, workmanship or defective material. The manufacturer agrees to replace any defective EuroArt product free of charge provided the product has been fitted in accordance with the fitting instructions and maintained correctly.

Technical Support

Comprehensive information and technical support services are available by contacting:

Tel: +44 1254 433883

Email: me@euro-art.co.uk



One Stop Solution!

EuroArt brings to the table a comprehensive range of door hardware for metal, wood and glass doors together with fittings for wardrobe, kitchen and lighting solutions. We offer the following three product lines to create the One-Stop Solution for all your door hardware & furniture fitting requirements:



ARCHITECTURAL HARDWARE

- Lever Handles & Knobs
- Locks & Latches
- Hinges
- Panic Hardware
- Accessories
- Intumescent Seals
- Pull Handles
- Cylinders
- Door Closers
- Electro-mechanical Products
- Sliding & Folding Door Gear

FURNITURE FITTINGS

- Hinges & Flap Stay
- Cabinet Locking System
- Wardrobe Fittings
- Wardrobe Sliding System
- Furniture Handles & Knob
- Furniture Lighting
- Drawer System (Runners & Drawer Boxes)
- Kitchen Fittings & Accessories
- Pop-up Socket & TV Lift-up
- Furniture Accessories



GLASS HARDWARE

- Floor Spring with Cam Motion Technology
- Hydraulic Patches
- Patch Fittings
- Pull Handle
- Knobs & Towel Bars
- Sliding System
- Automatic Door Bottom
- Hydraulic Hinges
- Pivot System
- Lockset & Hinges
- Shower Hinges & Connectors
- Support Bars & Brackets
- Sealing Strips

DIGITAL ACCESS LOCKS

- Digital Residential Locks
- Electronic locker Locks
- High-end retail Showroom Security System
- Digital Glass Door Locks
- Digital Drawer Locks





Our business and our values

Our environmental, social and ethical responsibilities:

EuroArt is committed to environmental leadership in all of our business activities from operations to product design and recycling solutions. EuroArt's corporate policy on environmental affairs is supported by the company's global environmental management system, which is key to our efforts to achieve results consistent with environmental leadership and ensures the company is vigilant in protecting the environment across all of our operations worldwide.

Just as EuroArt is dedicated to providing innovative design and technologies, we are equally devoted to ensuring that our products, employees, sites and suppliers are following the commitments we have made to socially responsible business practices.

EuroArt embraces the values of customer service, innovative and entrepreneurial spirit, and integrity. We seek to integrate these core values into every aspect of our business and into policies and procedures in areas of quality and safety for products, employee welfare, managing a global supply chain, ethical corporate behavior, social investments and environmental affairs.

Building on Relationships

Since the mid-1980s, we have been associated with supply and distribution of high quality architectural ironmongery, furniture fitting & glass fitting products and services to UK construction industry.

EuroArt is committed to the highest standards of integrity and responsibility when working with all stakeholders. We are committed to being a responsible and active corporate citizen, consistently working to improve its business while contributing to the development of society. The company embraces the values of customer satisfaction, innovation, operational excellence and trustworthiness. EuroArt seeks to integrate these core values into every aspect of its business.

By working with EuroArt, you will have access to a whole network of specialist knowledge and product excellence.



What's Inside

Ambre Series Wardrobe Basket

PAGE

06-25

Aluminum Divider Storage Box
Automatic Wardrobe Lift
Wardrobe Lift Manual
Hanger Rod Tube
Shallow Glass Drawer
Medium Glass Drawer
Shallow Leather Basket
Deep basket-leather
Jewelry Box
Undergarment Organizer
Single Row Trouser Pull-out
Double Row Trouser Pull-out
Trouser Rack
Center Pull-Out
Tie pull-out
Laundry Basket
Three Layers Rotating Corner Unit
Shoes Rack
Revolving Shoe Rack

Meta Series Wardrobe Basket

PAGE

41-61

Pull Down Closet Rod
Automatic Wardrobe Lift
Three Layers Rotating Clothes Basket
Closet Hanger
Trouser Hanger
Aluminium Frame Trouser Rack
Storage Basket
Rattan Basket
Aluminium Frame Shoe Rack
Storage Basket
Jewellery Tray
Fingerprint Drawer
Hanger Rod
Rotating Shoe Rack
Revolve Mirror
Wardrobe Accessories
Shirt Box
Jewellery Box
Ironing Board

Koza Series Wardrobe Basket

PAGE

26-40

Wardrobe Lift
Automatic Wardrobe Lift
Three Layers Rotating Clothes Basket
Closet Hanger
Single Row Trouser Hanger
Double Row Trouser Hanger
Aluminium Frame Trouser Rack
Storage Box
Pull-Out Drawer
Rattan Basket
Jewellery Box
Side Installed Hanger Rod
Rotating Shoes Rack
Revolve Mirror

Wardrobe Sliding System

PAGE

62-82

WSF-30D / WSF-30DD
WS306 - For Timber Shutter
WS309 - For Timber Shutter
WS408 - For Aluminium Profile Shutter
WS409 - For Timber Shutter
WS509 - For Timber Shutter
WS602 - For Timber Shutter
WS803 - Inline Sliding Fittings
WSF-CDA - For Timber Door Alignment
WSFST6 - For Timber Door Alignment



 EUROART

Ambré Series



Wardrobe Baskets



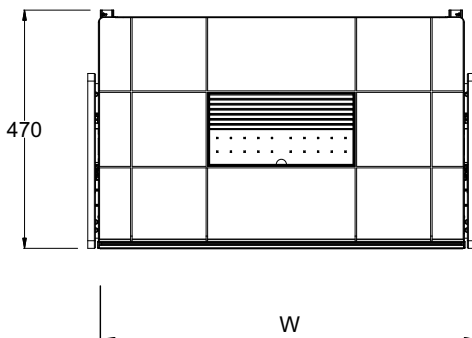
Aluminum Divider Storage Box

Product Description:

- Basic under mounted slide for wardrobe accessories
- Smooth and reliable sliding performance
- Suitable for standard wardrobe applications
- Drawer Height : 81mm
- Durability : 50,000 cycle tested.
- Material : Carbon steel + carbon crystal plate + PU leather
- Loading capacity: 35kg.
- Finish: Mocha Frame + Mocha/Beige Leather



Item Code	Size WxDxH (mm)	Leather Finish Option	Width (mm)
W24256DIV/MO	564x471x81	Mocha	600
W24256DIV/BG	564x471x81	Beige	600
W24276DIV/MO	764x471x81	Mocha	800
W24276DIV/BG	764x471x81	Beige	800



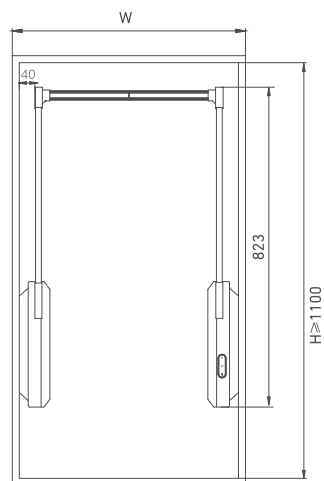
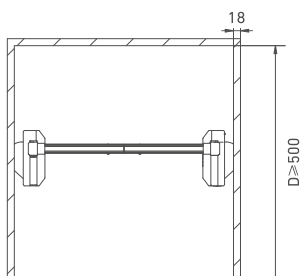
Automatic Wardrobe Lift

Product Description:

- Two electric motors for automatic lifting up and down.
- Electronically controlled wardrobe lift with remote operation, switch operation & voice control module.
- Maximum loading capacity 15kg.
- Suitable for 2400mm high cabinet. Make full use of cabinet space.
- Presence sensor ensure safe operation while standing close to the wardrobe lift.



Item Code	Size WxDxH (mm)	Color	Width (mm)
W24D04E-1/MO	(564-764)x143x823	Mocha	600 - 800
W24D04E-2/MO	(764-964)x143x823	Mocha	800 - 1000
W24D04E-3/MO	(964-1164)x143x823	Mocha	1000 - 1200



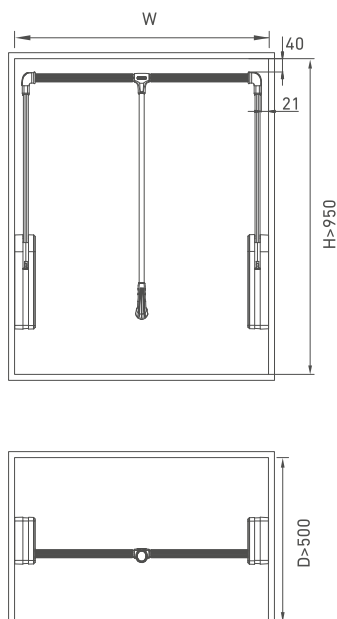
Wardrobe Lift Manual

Product Description:

- Easy operation with the help of pull bar - soft closing & soft opening movement.
- Width adjustment: 200mm.
- Durability: 50,000 cycle tested.
- Material: Arm and tube is of aerospace level Al-Mi alloy.
- Loading capacity: 15kg
- Color: Mocha



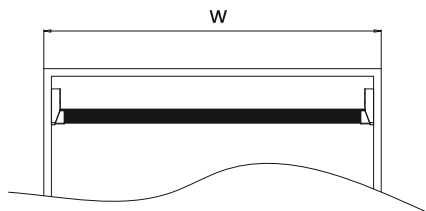
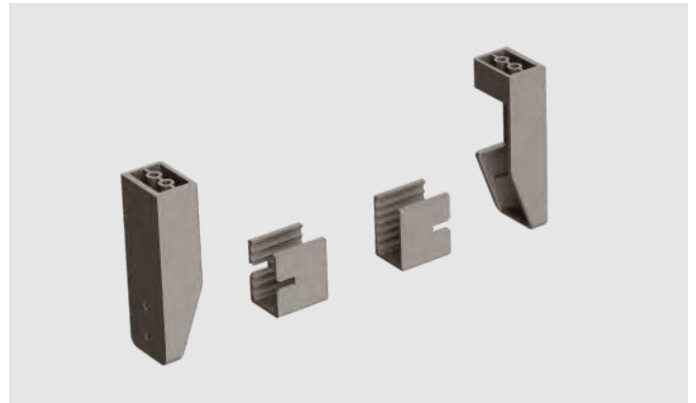
Item Code	Internal Cabinet Size WxDxH (mm)	Color	Min width (mm)
W24019/MO	564 - 764	Mocha	600-800
W24020/MO	764 - 964	Mocha	800-1000
W24021/MO	964 - 1164	Mocha	1000-1200



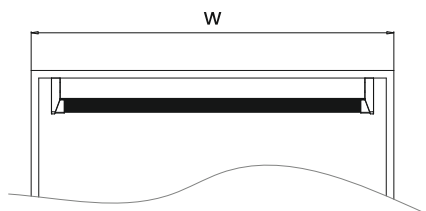
Hanger Rod Tube

Product Description:

- Adjustable hanger rod set for hanging and organizing clothes.
- End support fixing - Dual Application (Side Mounted & Top Fixing)
- Material: Aerospace level aluminum alloy with powder backing.
- Finish: Mocha

W25001- Bracket


Side mounted



Top mounted



Item Code	Discription	Size WxDxH (mm)	Finish	Width (mm)
W25003/MO	Hanger Rod Tube	3000/pcs	Mocha	600
W25001/MO	Bracket	30x21x85	Mocha	600

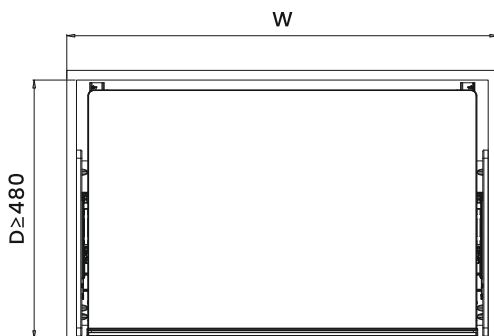
Shallow Glass Drawer

Product Description:

- Aluminum Frame Drawer with glass front & Leather
- Drawer set with Concealed full extension soft closing under mount runners.
- Drawer Height : 81mm
- Width adjustment 20mm.
- Durability : 50,000 cycle tested.
- Material : Carbon steel + carbon crystal plate + PU leather
- Loading capacity: 35kg.
- Finish: Mocha Frame + Mocha/Beige Leather



Item Code	Size WxDxH (mm)	Leather Finish Option	Width (mm)
W24156/MO	564x471x81	Mocha	600
W24156/BG	564x471x81	Beige	600
W24176/MO	764x471x81	Mocha	800
W24176/BG	764x471x81	Beige	800



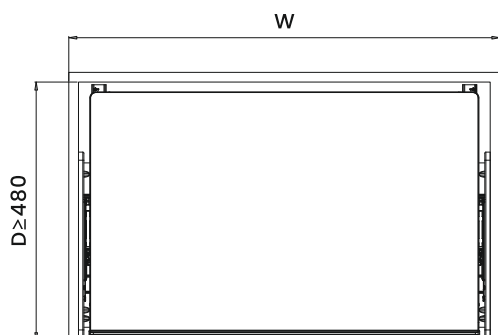
Medium Glass Drawer

Product Description:

- Aluminum Frame Drawer with glass front & Leather
- Drawer set with Concealed full extension soft closing under mount runners.
- Drawer Height : 108mm
- Width adjustment 20mm.
- Durability : 50,000 cycle tested.
- Material : Carbon steel + carbon crystal plate + PU leather
- Loading capacity: 35kg.
- Finish: Mocha Frame + Mocha/Beige Leather



Item Code	Size WxDxH (mm)	Leather Finish Option	Width (mm)
W24756/MO	564x471x108	Mocha / Beige	600
W24756/BG	564x471x108	Mocha / Beige	600
W24776/MO	764x471x108	Mocha / Beige	800
W24776/BG	764x471x108	Mocha / Beige	800



Shallow Leather Basket

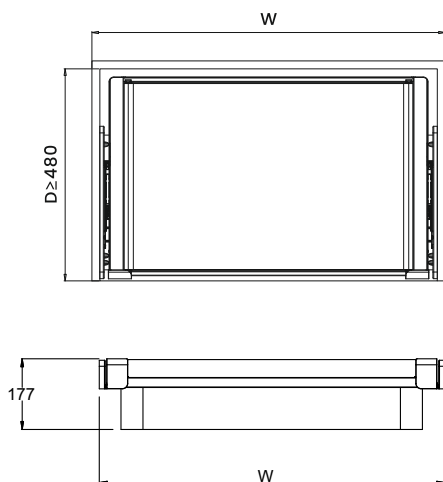


Product Description:

- Aluminum Frame Drawer with Leather basket
- Drawer set with Concealed full extension soft closing under mount runners.
- Drawer Height : 177mm
- Width adjustment 20mm.
- Durability : 50,000 cycle tested.
- Material : Carbon steel + carbon crystal plate + PU leather
- Loading capacity: 35kg.
- Finish : Mocha Frame + Mocha/Beige Leather



Item Code	Size WxDxH (mm)	Width (mm)	Leather Finish Option
W25156/MO	564x471x177	600	Mocha / Beige
W25156/BG	564x471x177	600	Mocha / Beige
W25176/MO	764x471x177	800	Mocha / Beige
W25176/BG	764x471x177	800	Mocha / Beige



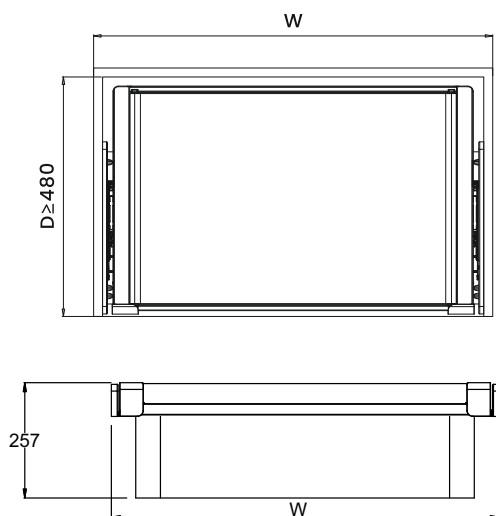
Deep basket-leather

Product Description:

- Aluminum Frame Drawer with Leather basket
- Drawer set with Concealed full extension soft closing under mount runners.
- Drawer Height : 257mm
- Width adjustment 20mm.
- Durability : 50,000 cycle tested.
- Material : Carbon steel + carbon crystal plate + PU leather
- Loading capacity: 35kg.
- Finish : Mocha Frame + Mocha/Beige Leather



Item Code	Size WxDxH (mm)	Leather Finish Option	Width (mm)
W25256/MO	564x471x267	Mocha	600
W25256/BG	564x471x267	Beige	600
W25276/MO	764x471x267	Mocha	800
W25276/BG	764x471x267	Beige	800



Jewelry Box

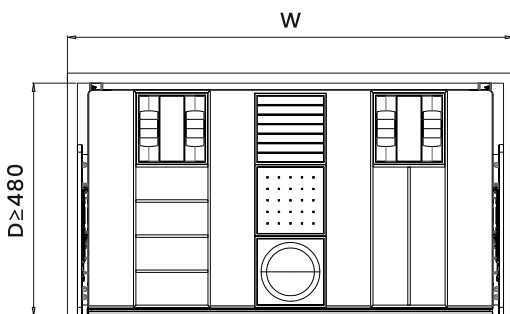


Product Description:

- Accurately designed for jewellery and accessories storage.
- Drawer set with Concealed full extension soft closing under mount runners.
- Width adjustment 20mm.
- Durability: 50,000 cycle tested.
- Material : Carbon steel + carbon crystal plate + PU leather
- Loading capacity: 35kg.
- Color: Mocha/Beige, Leather with Dark Grey Frame



Item Code	Size WxDxH (mm)	Leather Finish Option	Width (mm)
W24256/MO	564x471x81	Mocha	600
W24256/BG	564x471x81	Beige	600
W24276/MO	764x471x81	Mocha	800
W24276/BG	764x471x81	Beige	800



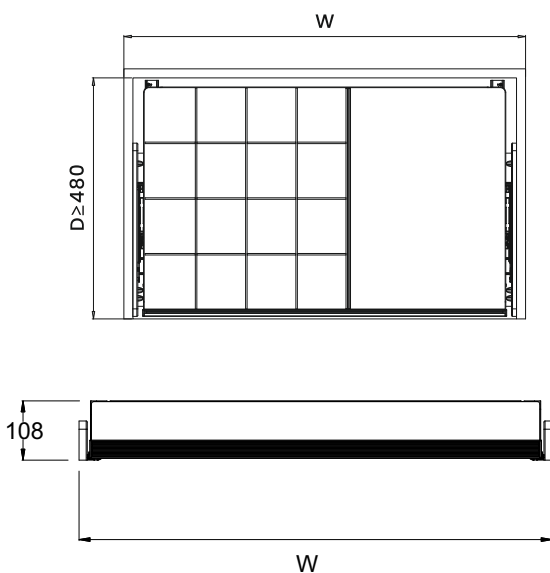
Undergarment Organizer

Product Description:

- Accurately designed for Undergarment storage.
- Drawer set with Concealed full extension soft closing under mount runners.
- Width adjustment 20mm.
- Durability: 50,000 cycle tested.
- Material : Carbon steel + carbon crystal plate + PU leather
- Loading capacity: 35kg.
- Color: Mocha/Beige



Item Code	Size WxDxH (mm)	Leather Finish Option	Width (mm)
W24956/MO	564x471x108	Mocha	600
W24956/BG	564x471x108	Beige	600
W24976/MO	764x471x108	Mocha	800
W24976/BG	764x471x108	Beige	800

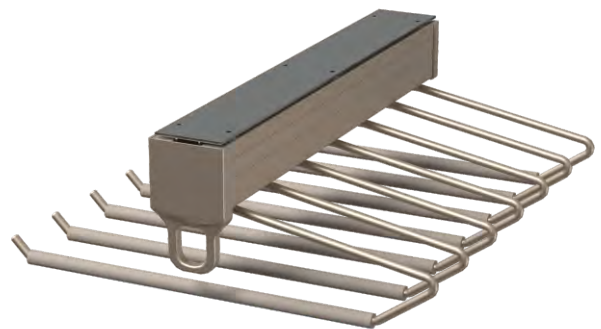
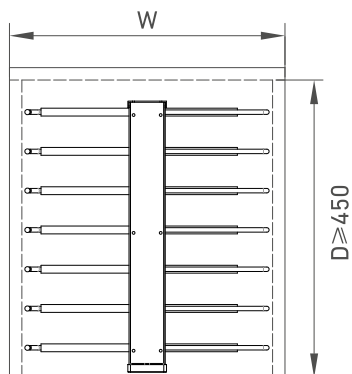
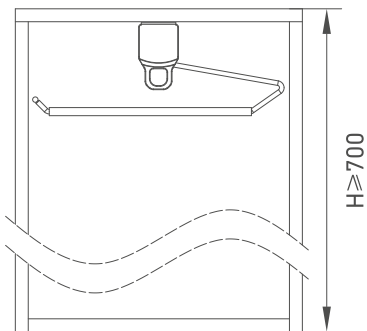


Single Row Trousler Pull-out

Product Description:

- Soft closing mechanism with ergonomics handle design.
- Single layer trouser hanger with top fixing for maximum space utilization.
- Material: Carbon steel + carbon crystal plate.
- Finish: Mocha
- Weight Capacity: 25Kgs

Item Code	Size WxDxH (mm)	Color	Width (mm)
W24025/MO	414x373x138	Mocha	400

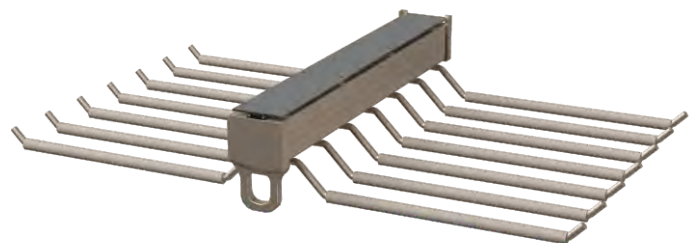
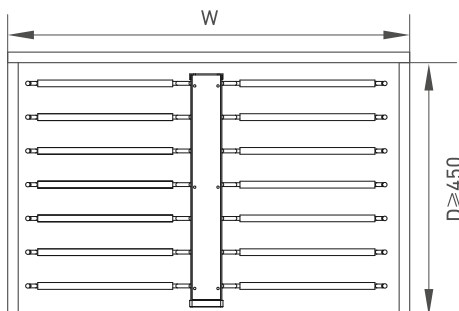
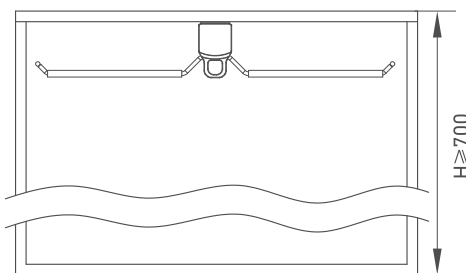


Double Row Trouser Pull-out

Product Description:

- Soft closing mechanism with ergonomics handle design.
- Double layer trouser hanger with top fixing for maximum space utilization.
- Material: Carbon steel + carbon crystal plate
- Finish: Mocha
- Weight Capacity: 15Kgs

Item Code	Size WxDxH (mm)	Color	Width (mm)
W24026/MO	642x414x99	Mocha	700



Trouser Rack

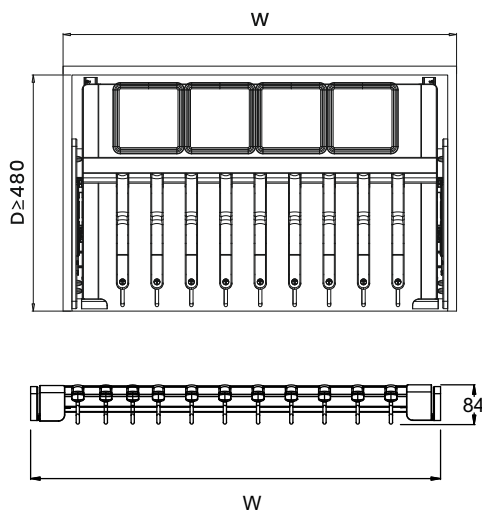


Product Description:

- Soft closing mechanism with ergonomics handle design.
- Drawer set with Concealed full extension soft closing under mount runners.
- Pull-Out trouser hanger with accessory tray.
- Material: Carbon steel + carbon crystal plate
- Weight Capacity: 35Kgs
- Finish: Mocha Frame + Mocha/Beige Leather



Item Code	Size WxDxH (mm)	Leather Finish Option	Width (mm)
W25856/MO	564x471x84	Mocha	600
W25856/BG	564x471x84	Beige	600
W25876/MO	764x471x84	Mocha	800
W25876/BG	764x471x84	Beige	800



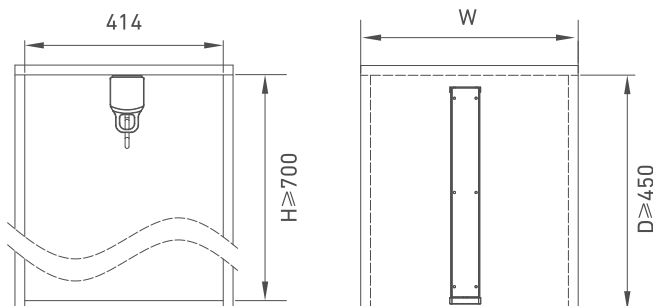
Center Pull-Out

Product Description:

- Soft closing mechanism with ergonomics handle design.
- Pull-Out clothes hanger with top fixing heavy duty slides.
- Material: Carbon steel + carbon crystal plate
- Finish: Mocha
- Weight Capacity: 25Kgs



Item Code	Size WxDxH (mm)	Color	Width (mm)
W24024/MO	59x414x127	Mocha	450



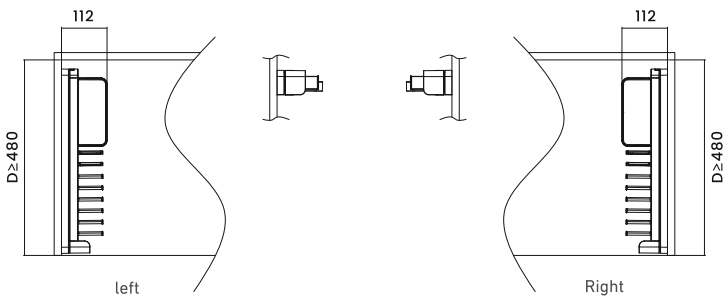
Tie pull-out

Product Description:

- Soft closing mechanism with ergonomics handle design.
- Tie Pull-Out hanger with side fixing slides.
- Material: Carbon steel + carbon crystal plate
- Finish: Mocha
- Weight Capacity: 15Kgs
- Option of right side installation & left side installation



Item Code	Size WxDxH (mm)	Color	Width (mm)
W25004L/MO	111x457x60	Mocha	800
W25004R/MO	111x457x60	Mocha	800



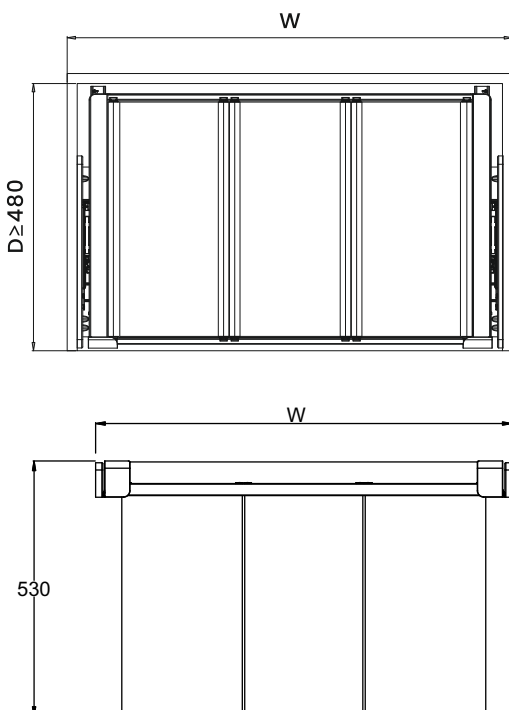
Laundry Basket

Product Description:

- Accurately designed for Laundry / Cloth Storage.
- Drawer set with Concealed full extension soft closing under mount runners.
- Width adjustment 20mm.
- Durability: 50,000 cycle tested.
- Material : Carbon steel + carbon crystal plate + Grey Fabric
- Loading capacity: 35kg.
- Color: Mocha Frame + Grey Fabric



Item Code	No. of Basket	Size WxDxH (mm)	Width (mm)	Fabric Finish
W25756/FG	2	564x471x530	600	Grey Fabric
W25776/FG	3	764x471x530	800	Grey Fabric

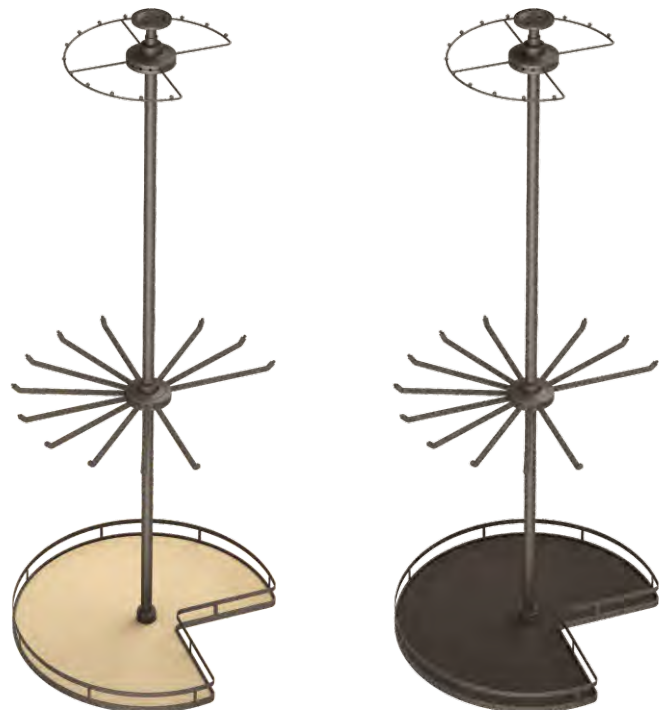
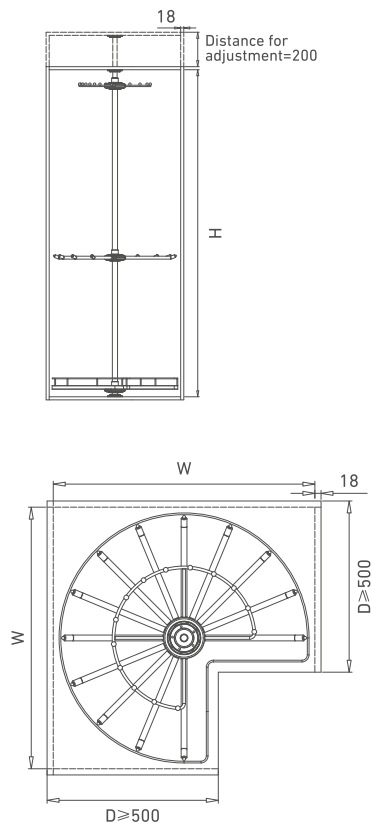


Three Layers Rotating Corner Unit

Product Description:

- Each layer with 360D rotating; even the corner space can also be fully used.
- Adopt high level ABS and stainless steel material, nice looking and durable.
- Height adjustment 200mm, apply to 1900-2100mm wardrobe.
- Material: Carbon steel + carbon crystal plate + PU Leather
- Finish: Mocha / Beige
- Weight Capacity: 35Kgs

Item Code	Size WxDxH (mm)	Width (mm)	Color
W24E6/BG	735x735x1900-2100	800	Beige
W24E6/MO	735x735x1900-2100	800	Mocha

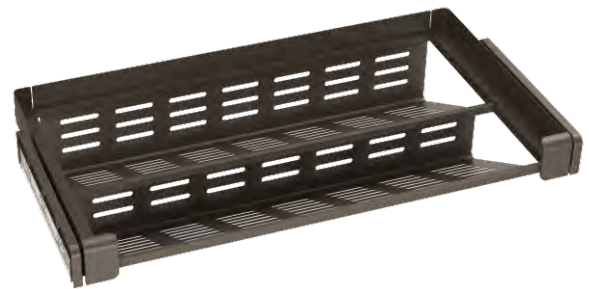
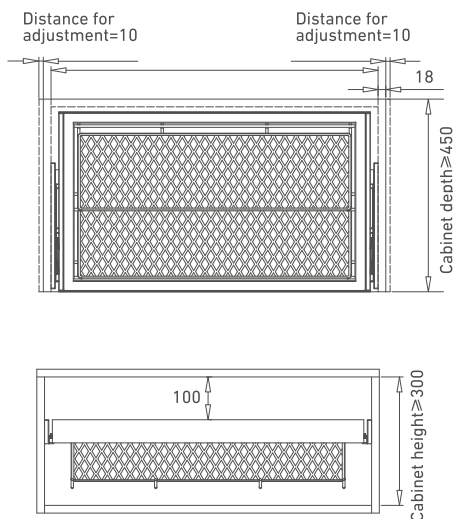


Shoes Rack

Product Description:

- Installation between carcass sides.
- Can take minimum 4 pairs (600mm) & 6 pairs (900mm) for adult size shoes.
- Aluminum frame with concealed full extension soft close under mount slides.
- Width adjustment: 20mm.
- Durability: 50,000 cycle tested.
- Material: Carbon steel + carbon crystal plate
- Finish: Mocha
- Weight Capacity: 35Kgs

Item Code	Size WxDxH (mm)	Color	Width (mm)
W25456/MO	564x471x190	Mocha	600
W25466/MO	664x471x190	Mocha	700
W25476/MO	764x471x190	Mocha	800
W25486/MO	864x471x190	Mocha	900



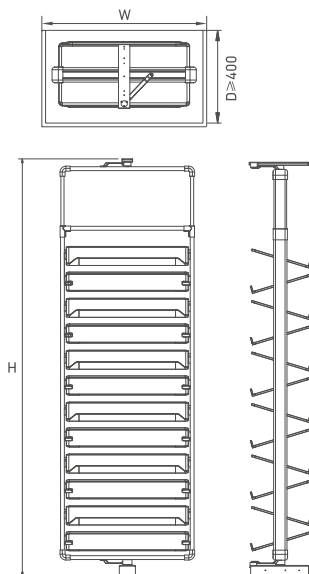
Revolving Shoe Rack

Product Description:

- The multi-layer shoe rack can be rotated 360 degree
- Rotation between the aluminum frame and pull out with double slides for smooth function
- Can take minimum 6 pairs per shelf
- Loading capacity: 2kg per shelf
- Available in 6, 8, 10 & 12 layers to serve the space
- Height adjustment: 100mm
- Cabinet depth: 360mm
- Material: Aerospace level of Al-Mi alloy with powder coated finishing
- Color: Mocha Frame + Mocha/Beige Leather



Item Code	Size WxDxH (mm)	Frame Color	Leather Finish
W24C20-12/MO	700x325x(1950-2150)	Mocha	Mocha / Beige
W24C20-12/BG	700x325x(1950-2150)	Mocha	Mocha / Beige





Koža Series



Wardrobe Baskets



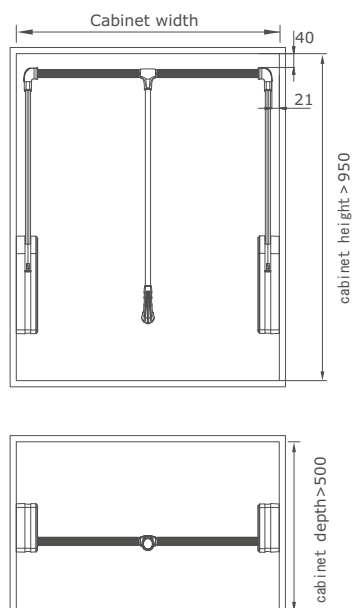
Wardrobe Lift


Product Description:

- Easy operation with the help of pull bar - soft closing & soft opening movement.
- Width adjustment: 200mm.
- Durability: 50,000 cycle tested.
- Material: Arm and tube is of aerospace level Al-Mi alloy.
- Loading capacity: 15kg
- Color: Champagne



Item Code	Internal Cabinet Size WxDxH (mm)	Color	Min width (mm)
W10019	564 - 764	Champagne	600-800
W10020	764 - 964	Champagne	800-1000
W10021	964 - 1164	Champagne	1000-1200



Automatic Wardrobe Lift

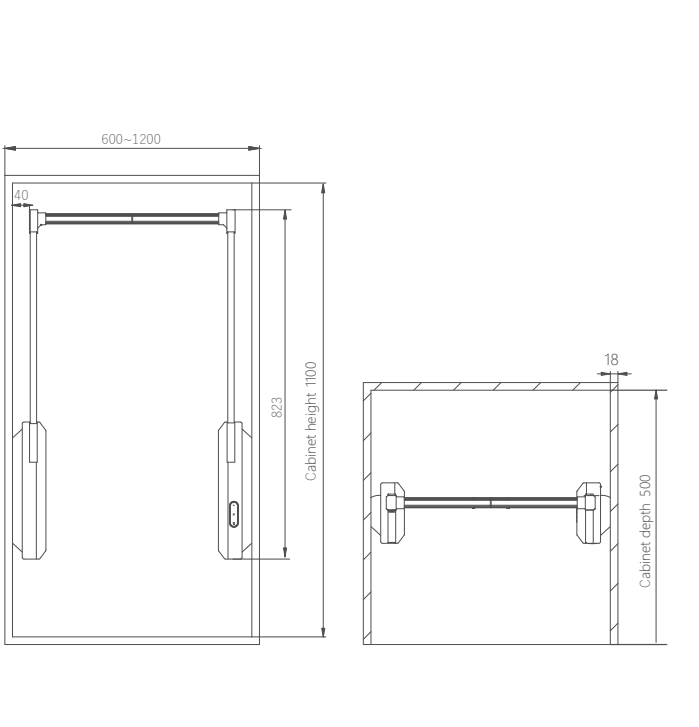


Product Description:

- Two electric motors for lifting up and down. Maximum loading capacity 15kg.
- Suitable for 2400mm high cabinet. Make full use of cabinet space.
- Voice control function
- the up and down performances are ensured to be stable and smooth.
- Pick-up button design on side swing arm, more convenient in use.



Item Code	Size WxDxH (mm)	Color	Width (mm)
W10D04E-1x	(564-764)x143x823	Champagne	600 - 800
W10D04E-2x	(764-964)x143x823	Champagne	800 - 1000
W10D04E-3x	(964-1164)x143x823	Champagne	1000 - 1200



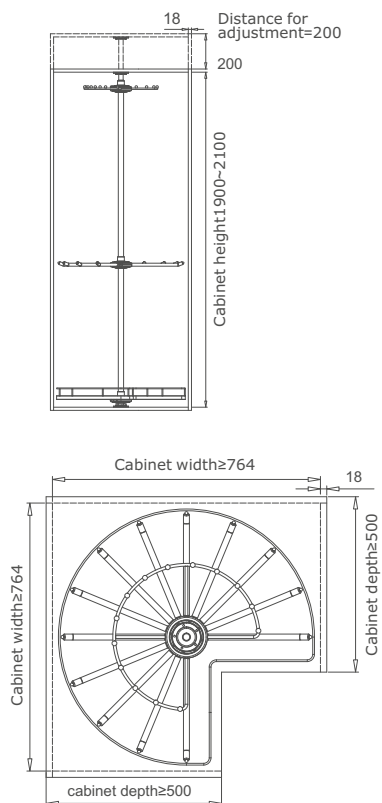
Three Layers Rotating Clothes Basket



Product Description:

- Each layer with 360D rotating; even the corner space can also be fully used.
- Adopt high level ABS and stainless steel material, nice looking and durable.
- Height adjustment 200mm, apply to 1900-2100mm wardrobe.

Item Code	Size WxDxH (mm)	Color	Width (mm)
W10E6X	735x735x(1920x2100)	Champagne	800



Closet Hanger

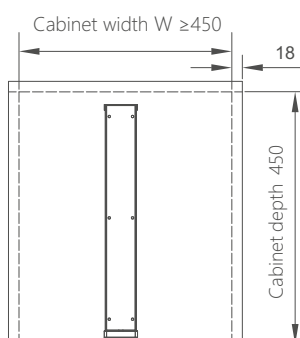
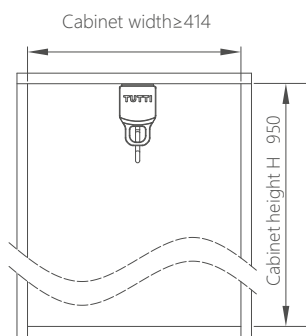


Product Description:

- Soft closing.
- Ergonomics handle design.
- Clothes hanger is of oblate sharp; more loading capacity; more convenient.
- Arm and tube is of aerospace level Alum. alloy; with powder baking finishing.
- Italian design - neat and graceful.



Item Code	Size WxDxH (mm)	Color	Width (mm)
W10024X	414x59x127	Champagne	450



Single Row Trousers Hanger

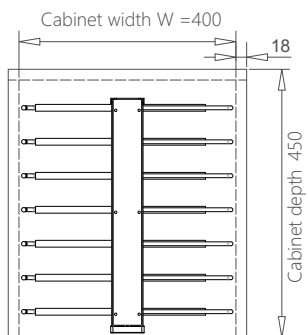
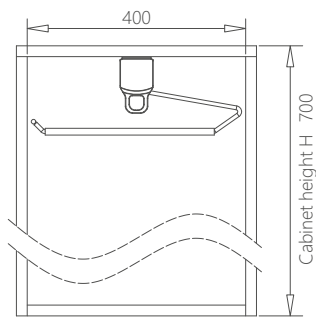


Product Description:

- Soft closing.
- Ergonomics handle design.
- No screw holes, neat looking.
- S shape, easily to change and store trousers.
- Italian design - neat and graceful.



Item Code	Size WxDxH (mm)	Color	Width (mm)
W10025X	414x373x138	Champagne	450



Double Row Trousers Hanger

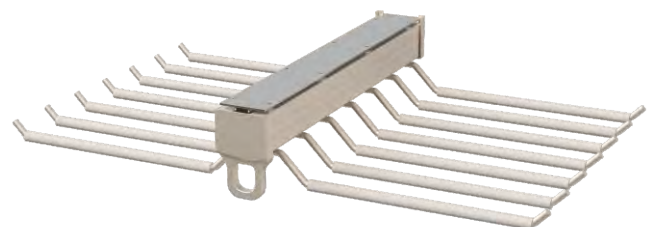
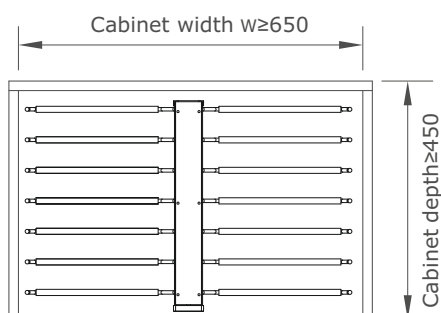
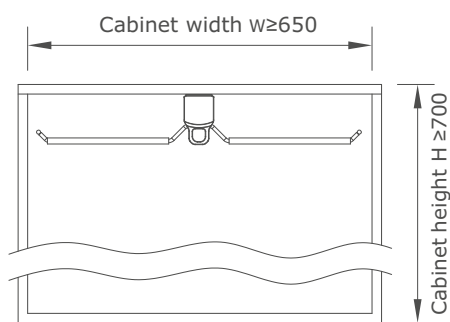


Product Description:

- Soft closing.
- Ergonomics handle design.
- Clothes hanger is of oblate sharp; more loading capacity; more convenient.
- Arm and tube is of aerospace level Alum. alloy; with powder baking finishing.
- Italian design - neat and graceful.



Item Code	Size WxDxH (mm)	Color	Width (mm)
W10026	414x642x99	Champagne	700



Aluminium Frame Trouser Rack

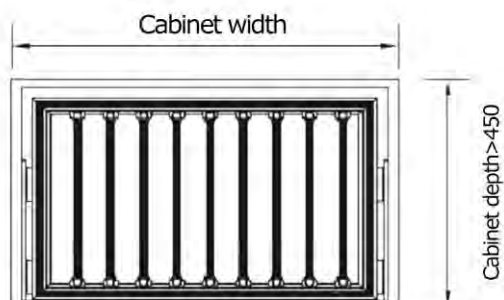
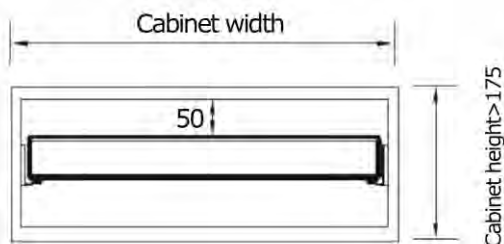


Product Description:

- Aluminium Frame Trouser Rack with aluminium frame and concealed full extension soft close under mount slide.
- Width adjustment 20mm.
- Durability: 50,000 cycle tested.
- Material: Alu frame is of aerospace level Al-Mi Alloy with leather.
- Loading capacity: 35kg.
- Color: Champagne



Item Code	Size WxDxH (mm)	Color	Min width (mm)
W13756	564x420x68	Champagne	600
W13766	664x429x68	Champagne	700
W13776	764x429x68	Champagne	800
W13786	864x429x68	Champagne	900



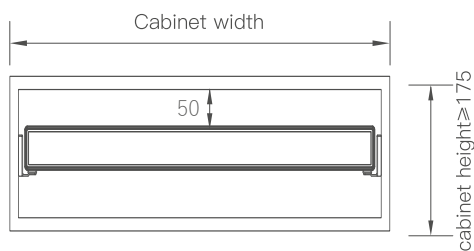
Storage Box

Product Description:

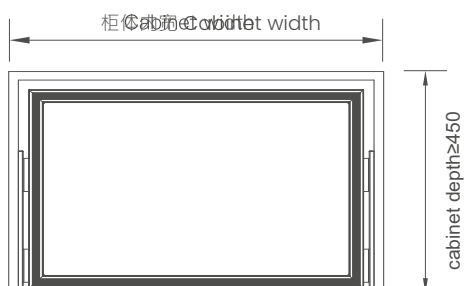
- Environment friendly PP Material Rattan Basket.
- Aluminium frame: front side is of seamless connection.
- Width adjustment 20mm.
- Durability: 50,000 cycle tested.
- Material : Aluminium frame is of aerospace level Al-Mi Alloy with leather.
- Loading capacity: 35kg.
- Color: Champagne



Item Code	Size WxDxH (mm)	Color	Width (mm)
W13956	564x429x68	Champagne	600
W13966	664x429x68	Champagne	700
W13976	764x429x68	Champagne	800
W13986	864x429x68	Champagne	900



564-568
664-668
764-768
864-868



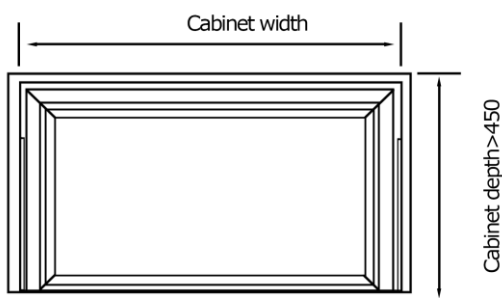
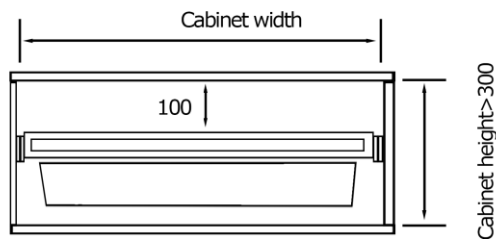
Pull Out Drawer


Product Description:

- Pull out drawer with aluminium frame and concealed full extension soft close under mount slide.
- Width adjustment 20mm.
- Durability: 50,000 cycle tested.
- Material: Alu frame is of aerospace level Al-Mi Alloy with leather.
- Loading capacity: 35kg.
- Color: Champagne.



Item Code	Size WxDxH (mm)	Color	Min width (mm)
W13056	564x429x154	Champagne	600
W13066	664x429x154	Champagne	700
W13076	764x429x154	Champagne	800
W13086	864x429x154	Champagne	900



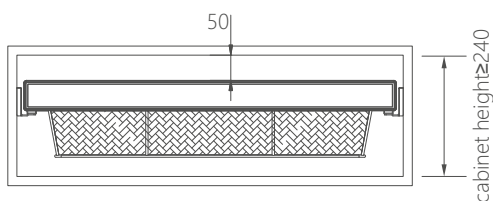
Rattan Basket

Product Description:

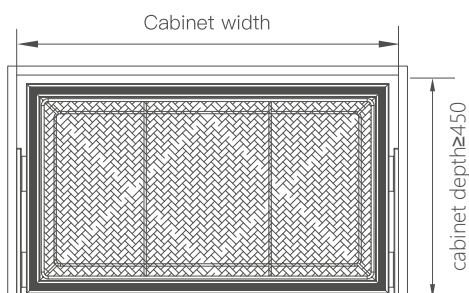
- Alum. frame: front side is of seamless connection.
- Alum. frame is a aerospace level Alum. Alloy with powder baking finishing : durable and beautiful.
- Rattan is of PP material : which is food-grade environment friendly.
- With good flame - retardant, high toughness, not easy to deformation.
- Matched with concealed full extension undermounted slides, 50000 time durability guaranteed.



Item Code	Size WxDxH (mm)	Color	Width (mm)
W13656	564x429x152	Champagne	600
W13666	664x429x152	Champagne	700
W13676	764x429x152	Champagne	800
W13686	864x429x152	Champagne	900



564-568
664-668
764-768
864-868



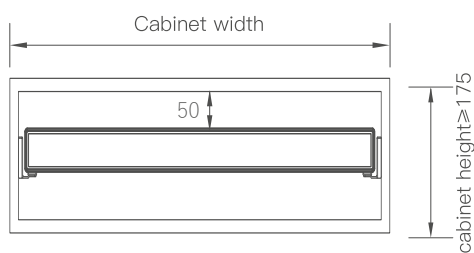
Jewellery Box

Product Description:

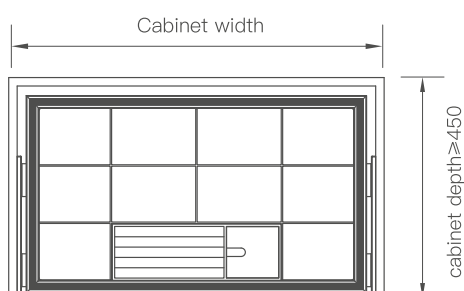
- Accurately designed for jewellery and accessories storage.
- Width adjustment 20mm.
- Durability: 50,000 cycle tested.
- Material : Aluminium frame is of aerospace level Al-Mi Alloy with leather.
- Loading capacity: 35kg.
- Color: Champagne



Item Code	Size WxDxH (mm)	Color	Width (mm)
W13556	564x429x68	Champagne	600
W13566	664x429x68	Champagne	700
W13576	764x429x68	Champagne	800
W13586	864x429x68	Champagne	900



564-568
664-668
764-768
864-868



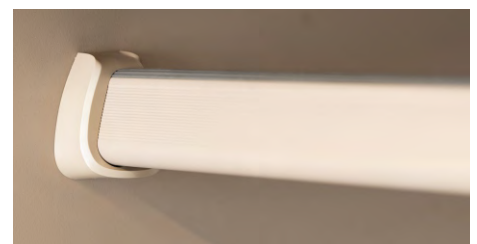
Side Installed Hanger Rod



Product Description:

- Simple and fashionable; more convenient.
- Arm and tubes is of aerospace level Aluminium Alloy; with powder baking finishing; durable and beautiful.
- Italian design neat and graceful.

Item Code	Size WxDxH (mm)	Color	Width (mm)
W10B31 (Tube)	1000	Champagne	-----
W10B04 (Support)	---	Champagne	-----

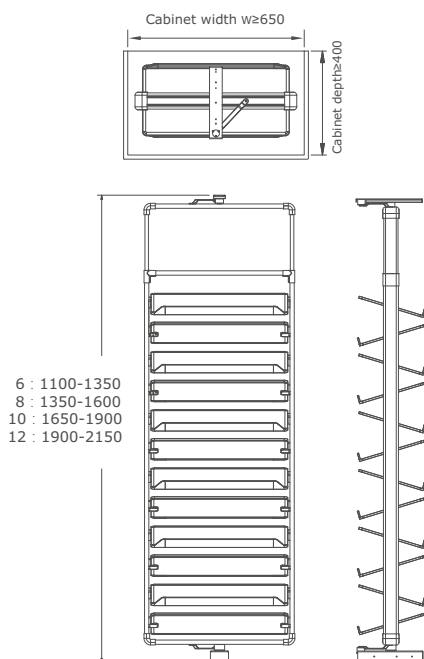


Rotating Shoes Rack

Product Description:

- 360D rotating; space saving; handy using.
- Main component height adjustment 100mm; apply to wide arrange of cabinet.
- Aerospace level Alum. alloy with powder baking finishing; durable and beautiful up and down slides are of double slides.
- Qualified ball bearing; smooth running; durable working.

Item Code	Size WxDxH (mm)	Color	Width (mm)
W10C20-6	764x400x(1100x1350)	Champagne	800
W10C20-8	764x400x(1350x1600)	Champagne	800
W10C20-10	764x400x(1650x1900)	Champagne	800
W10C20-12	764x400x(1950x2150)	Champagne	800

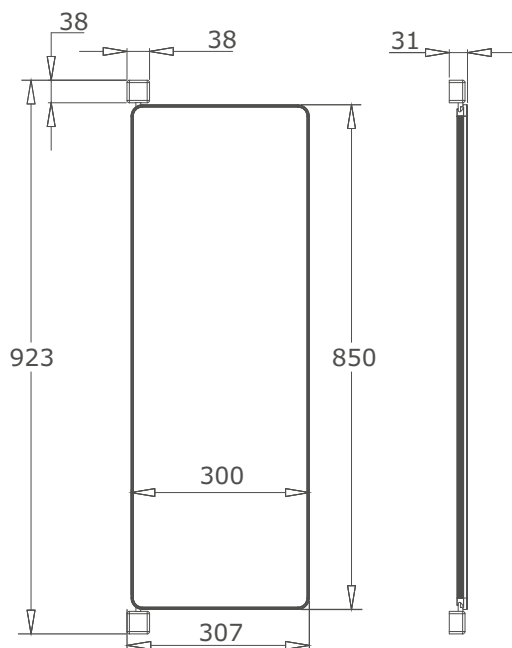


Revolve Mirror

Product Description:

- Mirror and handle connect perfectly, to avoid the clothes touch the drawer slides.
- Magnetic suction positioning function; smooth running.
- Unique handle design, convenient using and nice looking.
- Aerospace level Alum. alloy with powder baking finishing; durable and beautiful.
- Mirror's back is with cashmere; explosion proof.

Item Code	Size WxDxH (mm)	Color	Width (mm)
W10017	933x307x31	Champagne	----





 **EUROART**

Meta Series



Wardrobe Baskets

Pull Down Closet Rod

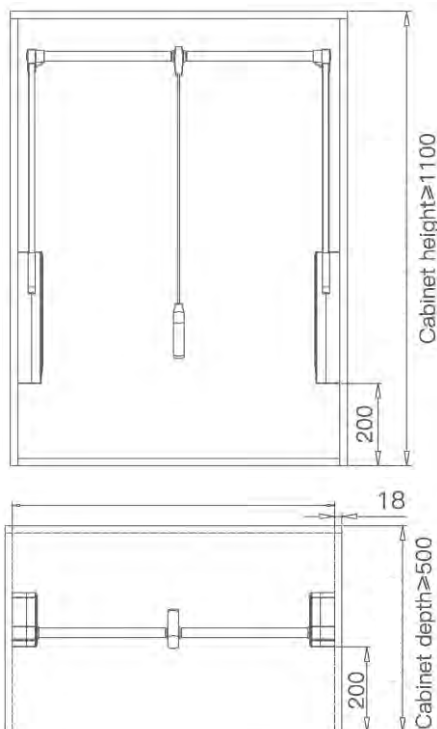


Product Description:

- Operated by pull rod with soft closing.
- Width adjustment for inside carcass: 564 - 964mm.
- Installation: Screw fixing to side panel.
- Material: Arm & tube is of aerospace level Al-Mi alloy, with powder coated finishing.
- Loading capacity: 15kg.
- Color: Pearl grey / Brown



Item Code	Size WxDxH (mm)	Color	Width (mm)
W10002	(564-764)x140x808	Pearl Grey / Brown	600 - 800
W10003	(764-964)x140x808	Pearl Grey / Brown	800 - 1000

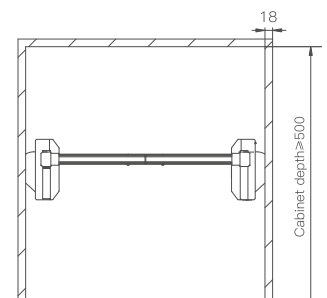
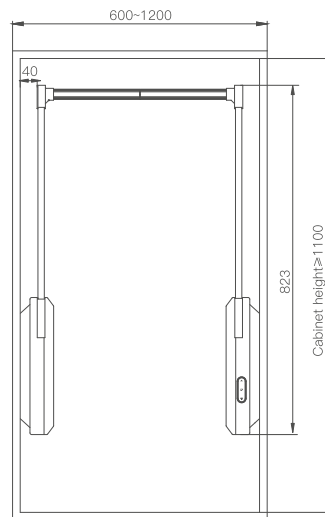


Automatic Wardrobe Lift



Features:

- Electric motors for lifting up and down.
- Maximum loading capacity : 15kg.
- Convenient for users to hang the clothes on the high area which cannot be reached by hand.
- Equiped by control panel or by remote controller. Two ways of controlling, easy to handle.
- With synchronize control technique and segmented speed technique, the up and down performances are ensured to be stable and smooth.
- Width adjustment = 200mm.
- Swing arms and hanging rod are made of Aerospace level Al-Mg alloy materials.



Code	Specification WxDxH (mm)	Color	Width (mm)
W10D04E-1W	(564-764) x 143 x 823	Dark Grey	600-800
W10D04E-2W	(764-964) x 143 x 823	Dark Grey	800-1000
W10D04E-3W	(964-1164) x 143 x 823	Dark Grey	1000-1200

Three Layers Rotating Clothes Basket

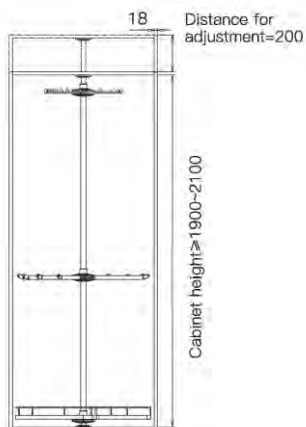
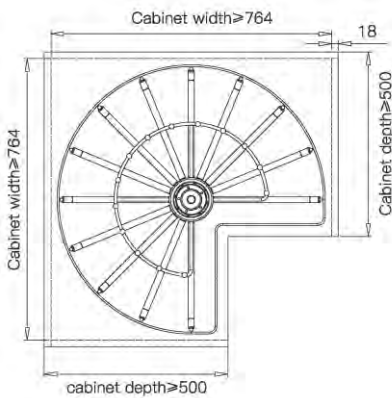


Product Description:

- 360 Deg rotating multi-function storage basket for maximum utilization of corner space.
- Height adjustment: 200mm.
- Cabinet height: 1900-2100mm.
- Material: High level ABS & Stainless steel.
- Color: Pearl grey.



Item Code	Size WxDxH (mm)	Color	Width (mm)
W10E03	730x435x(1900-2100)	Pearl Grey	800x800



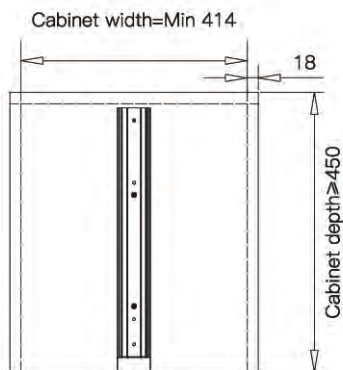
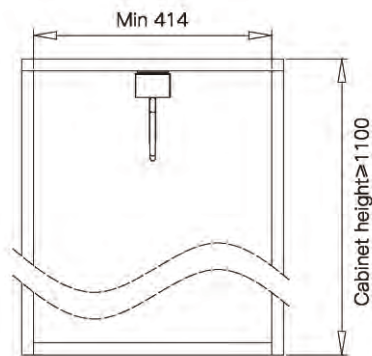
Closet Hanger

Product Description:

- Extendable clothes hanger with soft closing slide
- Ergonomics handle design for smooth grip & pull
- Cabinet depth: 450mm
- Material: Aerospace level of Al-Mi alloy with powder coated finishing
- Loading capacity: 5-7kg
- Color: Pearl grey / Brown



Item Code	Size WxDxH (mm)	Color	Width (mm)
W10004	54x425x137	Pearl Grey / Brown	450



Trouser Hanger

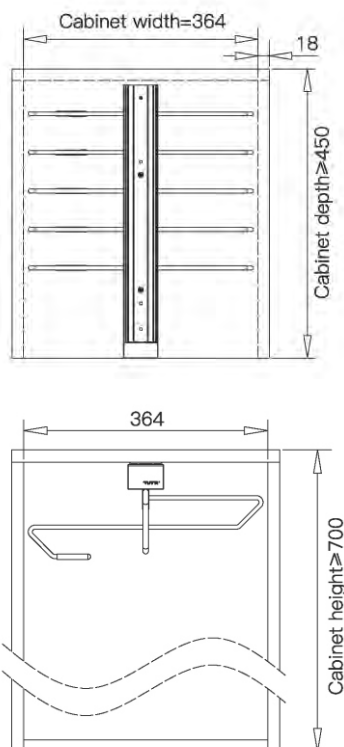


Product Description:

- Extendable trouser hanger with soft close slide.
- Ergonomics handle design for smooth grip & pull
- Cabinet depth: 450mm
- Material: Aerospace level of Al-Mi alloy with powder coated finishing.
- Loading capacity: 10kg.
- Color: Pearl grey / Brown



Item Code	Size WxDxH (mm)	Color	Width (mm)
W10006	350x425x145	Pearl Grey / Brown	400



Aluminium Frame Trouser Rack

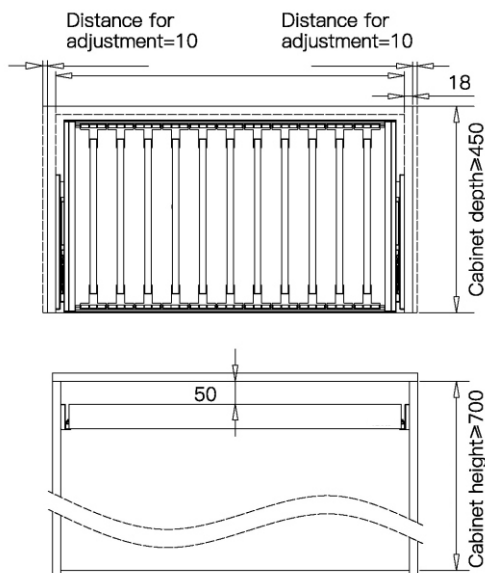


Product Description:

- Trouser holder with non-slip element.
- Installed between carcass sides.
- Aluminium frame with concealed full extension soft close under mount slide.
- Width adjustment: 20mm.
- Durability: 50,000 cycles tested.
- Material: Aerospace level of Al-Mi alloy with powder coated finishing.
- Loading capacity: 35kg.
- Color: Pearl grey / Brown.



Item Code	Size WxDxH (mm)	Color	Min width (mm)
W10748	480x420x56	Pearl Grey / Brown	516
W10756	564x420x56	Pearl Grey / Brown	600
W10766	664x420x56	Pearl Grey / Brown	700
W10776	764x420x56	Pearl Grey / Brown	800
W10786	864x420x56	Pearl Grey / Brown	900

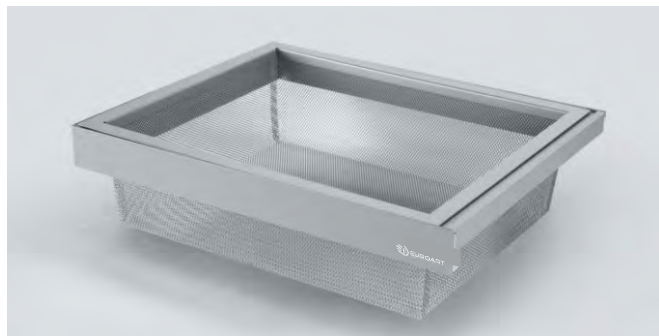


Storage Basket

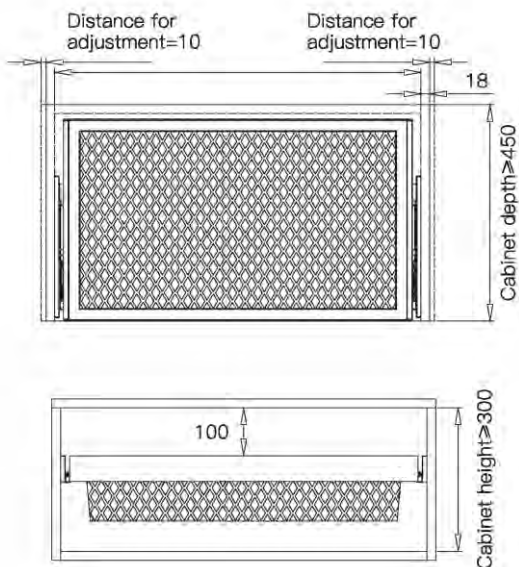


Product Description:

- Mesh storage basket with aluminium frame and concealed full extension soft close undermount slide.
- Width adjustment 20mm.
- Durability: 50,000 cycle tested.
- Material: Aerospace level of Al-Mi alloy with powder coated finishing.
- Loading capacity: 35kg.
- Color: Pearl grey / Brown



Item Code	Size WxDxH (mm)	Color	Min width (mm)
W10256	564x420x140	Pearl Grey / Brown	600
W10266	664x420x140	Pearl Grey / Brown	700
W10276	764x420x140	Pearl Grey / Brown	800
W10286	864x420x140	Pearl Grey / Brown	900



Rattan Basket

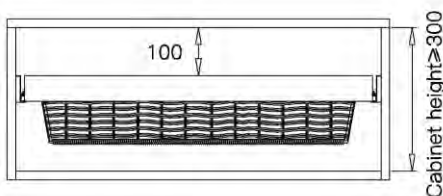
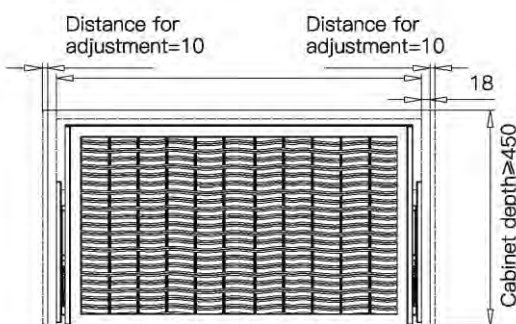


Product Description:

- Rattan storage basket with aluminium frame and concealed full extension soft close undermount slide.
- Width adjustment 20mm.
- Durability: 50,000 cycle tested.
- Material: Rattan is of PP material which is environment friendly, tightly knitted.
- Loading capacity: 35kg.
- Color: Pearl grey / brown



Item Code	Size WxDxH (mm)	Color	Min width (mm)
W10456	564x420x140	Pearl Grey / Brown	600
W10466	664x420x140	Pearl Grey / Brown	700
W10476	764x420x140	Pearl Grey / Brown	800
W10486	864x420x140	Pearl Grey / Brown	900



Aluminium Frame Shoe Rack

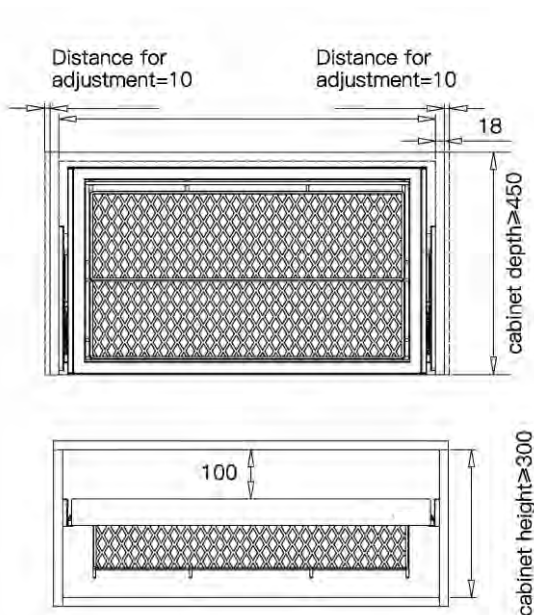


Product Description:

- Installation between carcass sides.
- Can take minimum 4 pairs (600mm) & 6 pairs (900mm) for adult size shoes.
- Aluminium frame with concealed full extension soft close under mount slides.
- Width adjustment: 20mm.
- Durability: 50,000 cycle tested.
- Material: Aerospace level of Al-Mi alloy with power coated finishing.
- Loading capacity: 35kg.
- Color: Pearl grey / Brown.



Item Code	Size WxDxH (mm)	Color	Min width (mm)
W10556	564x420x160	Pearl Grey / Brown	600
W10566	664x420x160	Pearl Grey / Brown	700
W10576	764x420x160	Pearl Grey / Brown	800
W10586	864x420x160	Pearl Grey / Brown	900



Storage Basket

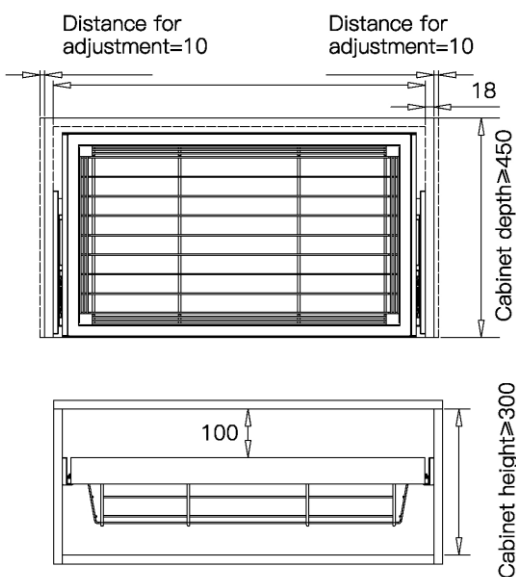


Product Description:

- Wire storage basket with aluminium frame and concealed full extension soft close under mount slide.
- Width adjustment 20mm.
- Durability: 50,000 cycle tested.
- Material: Aerospace level of Al-Mi alloy with powder coated finishing.
- Loading capacity: 35kg
- Color: Pearl grey / Brown



Item Code	Size WxDxH (mm)	Color	Min width (mm)
W10056	564x420x140	Pearl Grey / Brown	600
W10066	664x420x140	Pearl Grey / Brown	700
W10076	764x420x140	Pearl Grey / Brown	800
W10086	864x420x140	Pearl Grey / Brown	900



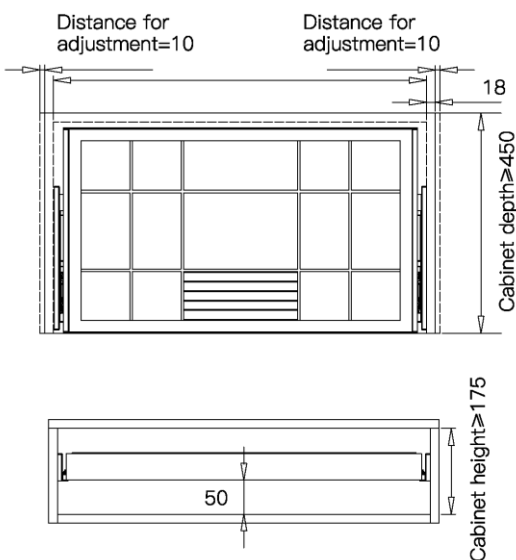
Jewellery Tray

Product Description:

- Multiple sections for storing different accessories and jewellery items.
- Tray with aluminium frame and concealed full extension soft close under mount slide.
- Width adjustment: 20mm.
- Durability: 50,000 cycle tested.
- Material: Aerospace level of Al-Mi alloy with power coated finishing.
- Color: Pearl grey / Brown



Item Code	Size WxDxH (mm)	Color	Min width (mm)
W10856	564x420x61	Pearl Grey / Brown	600
W10866	664x420x61	Pearl Grey / Brown	700
W10876	764x420x61	Pearl Grey / Brown	800
W10886	864x420x61	Pearl Grey / Brown	900

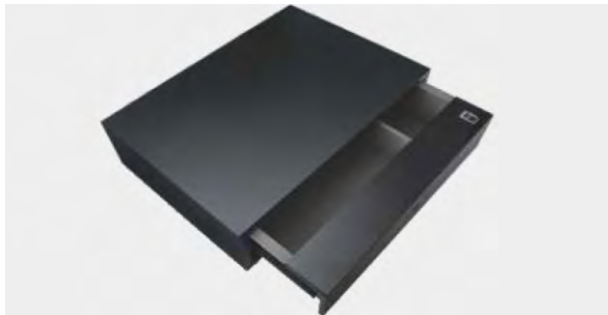


Finger Print Drawer

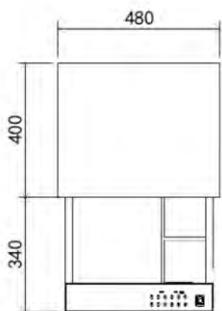
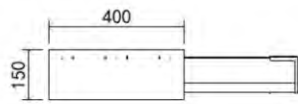
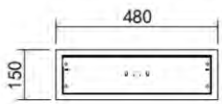


Product Description:

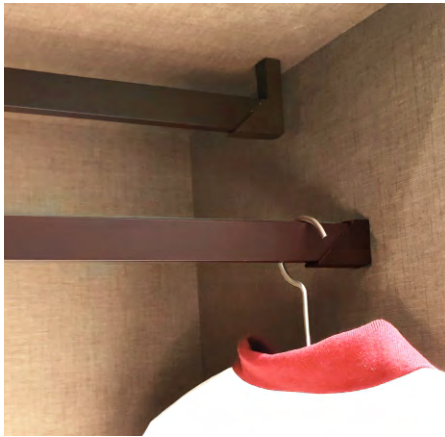
- Finger Print Drawer provides greater security and quicker access to the safe's content.
- Internal battery can be recharged with bottom mounted external USB interface.
- Unlock by multiple sources: Finger print, numerical safety codes and normal keys.
- Push the drawer and the safe will be automatically locked.
- Installation between the carcass sides with full extension.
- soft closing slides.
- Cabinet depth: 400mm.
- Cabinet height: 150mm.
- Material: Steel.
- Color: Black.



Item Code	Size WxDxH (mm)	Color
W10C48	480x400x150	Black
W10C58	564x400x150	Black



Hanger Rod

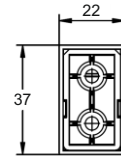


Product Description:

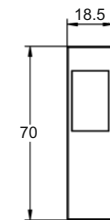
- Adjustable Hanger rod set are perfect for hanging clothes and organize you closet.
- Durable and easy to install.
- Available with two variants for end support.
- Size: 1000mm (Cutttable as per the size required).
- Material: Aerospace level of Al-Mi alloy with powder coated finishing.
- Color: Pearl grey / Brown



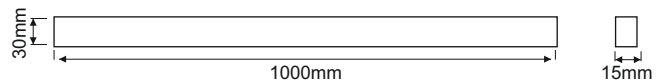
W10B01 - Side Support



W10B02 - Top Support



W10B10 - Tube

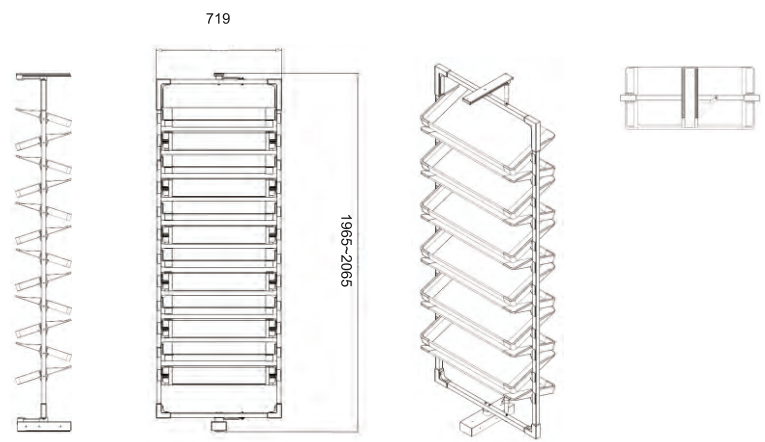


Item Code	Size (mm)	Color
W10B01 (Side Support)	-	Pearl grey / Brown / Black
W10B02 (Top Support)	-	Pearl grey / Brown / Black
W10B10 (Tube)	1000	Pearl grey / Brown / Black

Rotating Shoe Rack

Product Description:

- The multi-layer shoe rack can be rotated 360 deg
- Rotation between the aluminium frame and pull out with double slides for smooth function
- Can take minimum 6 pairs per shelf
- Loading capacity: 2kg per shelf
- Available in 6, 8, 10 & 12 layers to serve the space
- Height adjustment: 100mm
- Cabinet depth: 360mm
- Material: Aerospace level of Al-Mi alloy with powder coated finishing
- Color: Brown



Item Code	Size WxDxH (mm)	Color	Min width (mm)
W10D06	6 Layers 718x360x(1255-1155)	Brown	764
W10D08	8 Layers 718x360x(1525-1425)	Brown	764
W10D10	10 Layers 718x360x(1795-1695)	Brown	764
W10D12	12 Layers 718x360x(2065-1965)	Brown	764



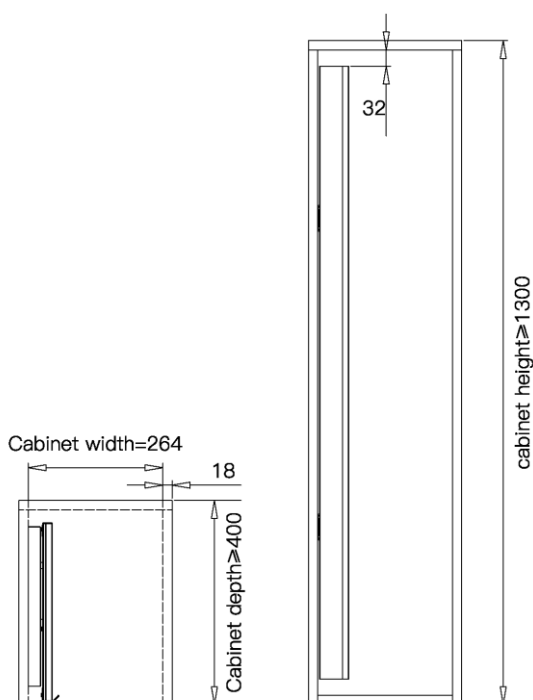
Revolve Mirror

Product Description:

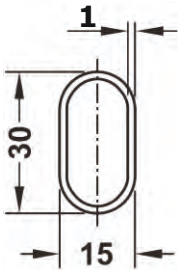
- The rotating function of the mirror allows the product to fit into 400mm cabinet space.
- The mirror with aluminium frame can be rotated 180 deg vertically to achieve free adjustment.
- Magnetic suction positioning function with full extension soft closing slide for smooth running.
- Material: Aluminium frame, Mirror's back- Cashmere.
- Cabinet depth: 400mm.
- Color: Pearl grey / Brown.



Item Code	Size WxDxH (mm)	Color
W10001	61x352x1200	Pearl Grey / Brown

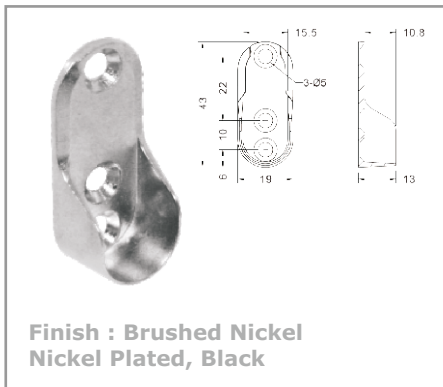


Wardrobe Rail

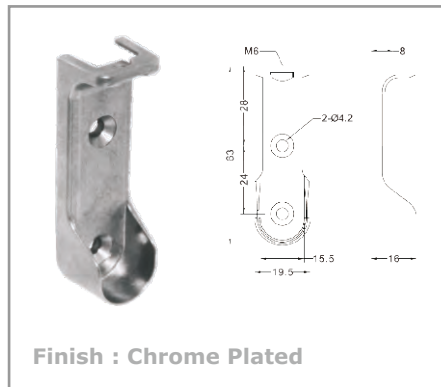


Item no.	Finishes	Length mm	Material
EACT30151/CP	Chrome Plated	3000	Steel
EACT15x30/SSS	Satin Stainless Steel	3000	SS 304
EACT30151/BL	Black	3000	Steel
EACT15x30/BN	Brushed Nickel	3000	Steel

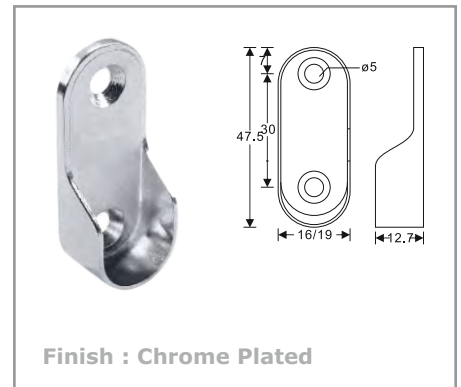
EAE004



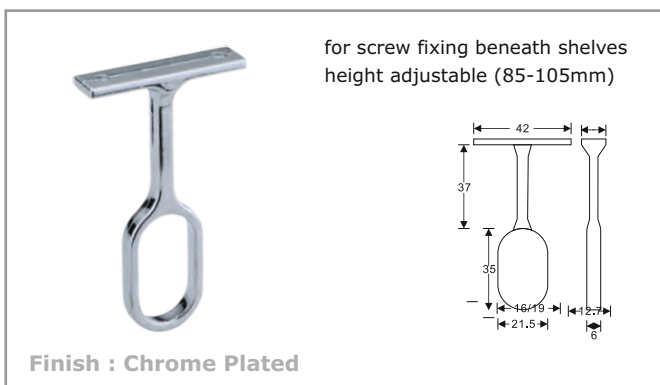
EAE005



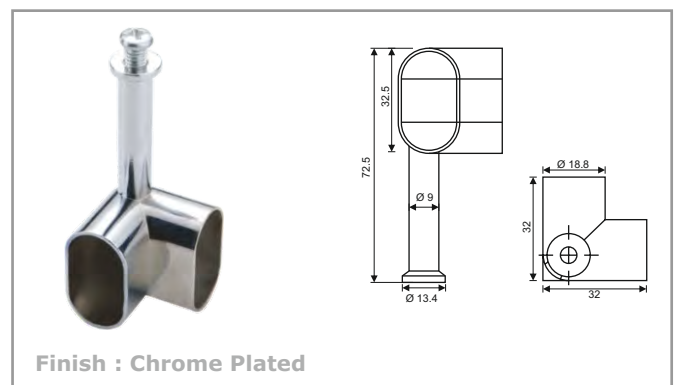
EAE004/CP



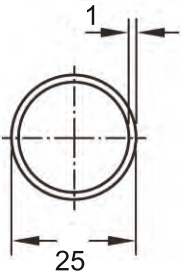
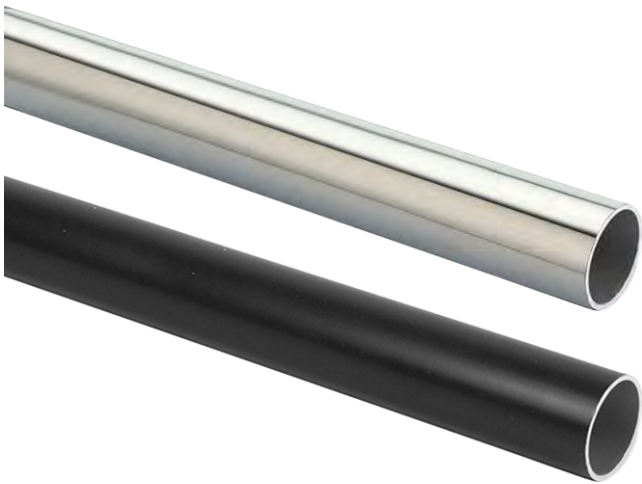
EASM09



EAL001



Wardrobe Rail



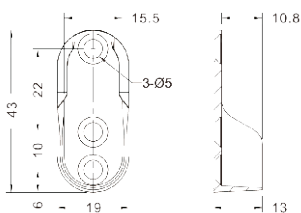
Item no.	Finishes	Dia	Length mm	Material
EAD25x15	Chrome Plated	25mm	3000	Steel
EAD25x15/SSS	Satin Stainless Steel	25mm	3000	SS 304
EAD25x15/BL	Black	25mm	3000	Steel
EAD25x15/BN	Brushed Nickel	25mm	3000	Steel

EAE006

for 25mm Dia



Finish: Nackle



EABA2321

for Screw fixing to side panel

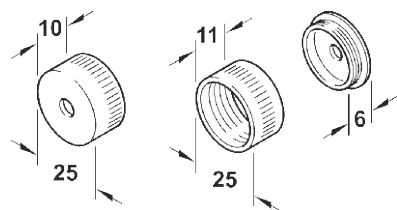


Finish : Chrome Polished



Satin Stainless Steel

Matt Black



Material : Aluminium

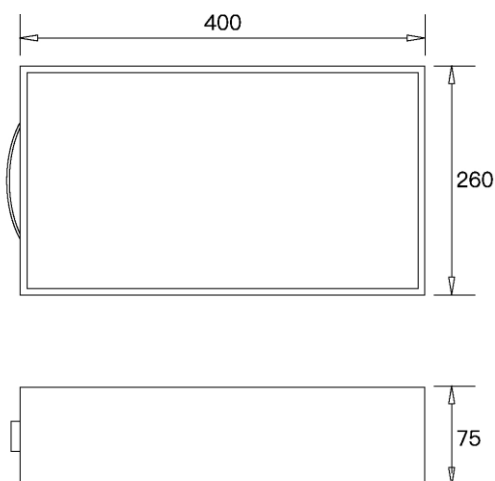
Shirt Box

Product Description:

- Shirt box/organiser keep the closet clutter under control by storing all the shirts
- Comfortable leather handle for smooth grip
- The outer layer is made of environment friendly wood and inner layer is covered with leather
- The wear - resistance process of baking paint is adopted for the outer surface treatment
- Cabinet depth: 400mm
- Color: Pearl grey + Creamy white



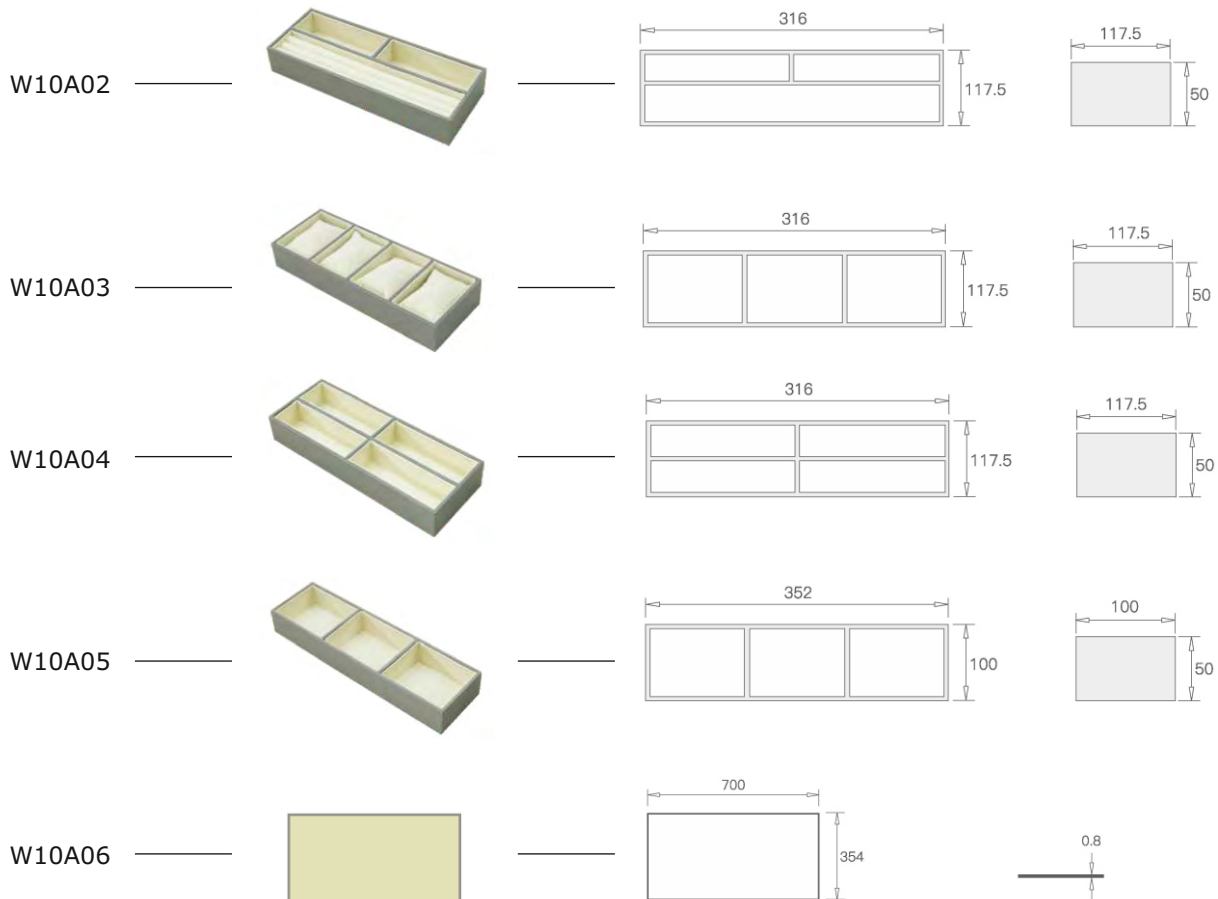
Item Code	Size WxDxH (mm)	Color	Min Width (mm)
W10A01	400x260x75	Pearl Grey	280



Jewellery Box

Product Description:

- Multiple section for storing different accessories and jewellery items
- Box insert can be continuously adjusted to suit intermediate cabinet width
- Color: Pearl grey + Creamy white



Item Code	Size WxDxH (mm)	Color
W10A02	316x117.5x50	Pearl Grey
W10A03	316x117.5x50	Pearl Grey
W10A04	316x117.5x50	Pearl Grey
W10A05	352x100x50	Pearl Grey
W10A06	700x354x0.8	Pearl Grey

Ironing Board

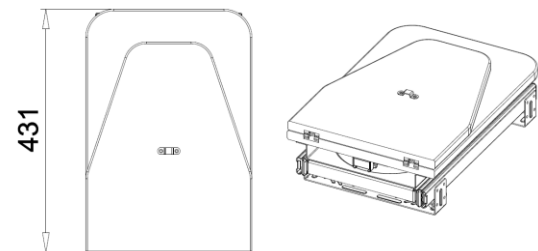
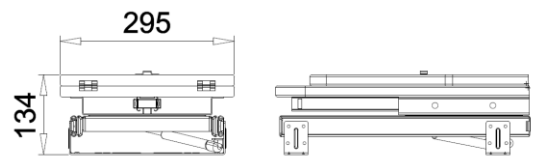


Product Description:

- The folding and rotating function of the ironing board allows the product to fit in to 430mm cabinet space.
- The flat board surface can be rotated 180 deg horizontal to achieve free adjustment of ironing angle and position.
- Pull out function with full extension soft closing slides.
- Installation height: 140mm.
- Cabinet depth: 430mm.
- Cabinet width: 300mm.
- Color: Power coated white and creamy white clothing.



Item Code	Size WxDxH (mm)	Color	Min width (mm)
W10B01W	300x430x140	White Clothing	500





WARDROBE SLIDING SYSTEM

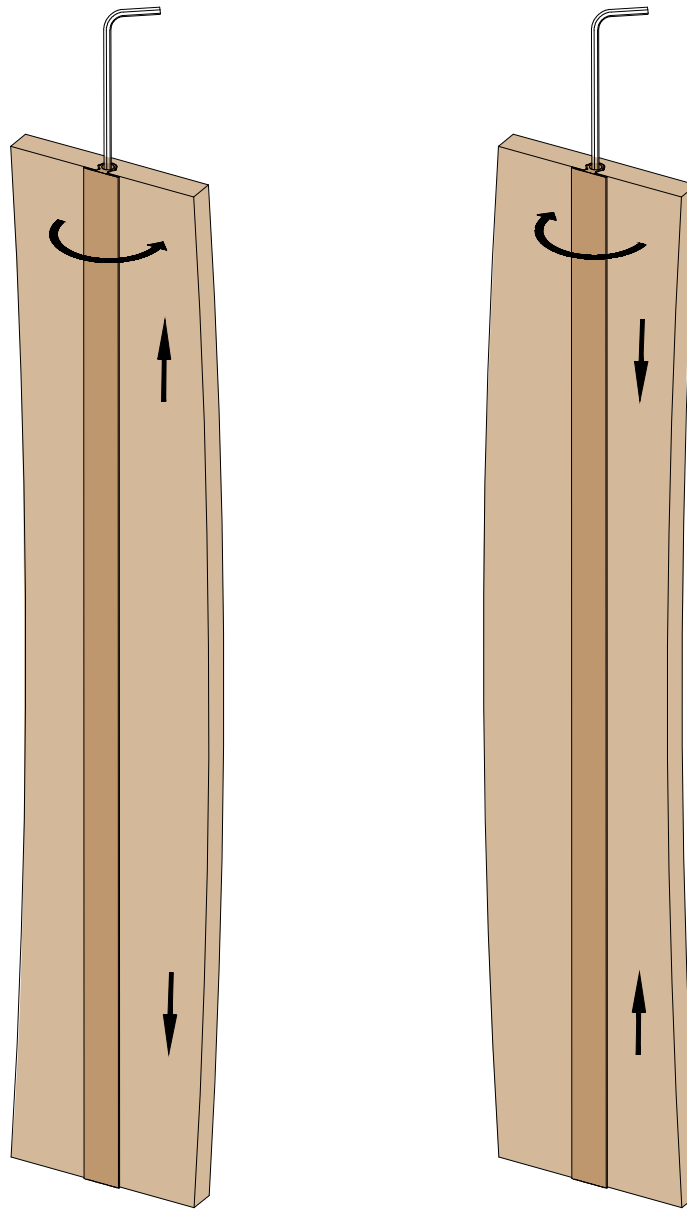
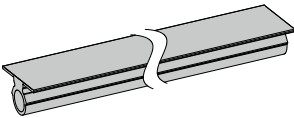



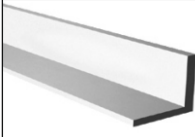

Instruction for alignment




Photo	Description	Qty
	External door alignment	1
	Allen Key	1

Tracks



Photo	Item no.	Description	Length
  22x23mm	003122	Single Top Track	2m
	003132		3m
	003152		5m
  18x13mm	001620	Top/Bottom Track	2m
	001630		3m
	001650		5m

Available Finish: Satin Anodised Aluminium, Mill Finish Aluminium





Sets

Photo	Item no.	Description
	003100	Fitting set 2 panels (with lower guide)
	003101	Fitting set 2 panels (without guide)

Components

Photo	Item no.	Description
	003102	Fitting set 4 panels (with lower guide)
	003103	Fitting set 6 panels (without guide)

Accessories

Photo	Item no.	Description
	003151	Running gear with 2 boss hinges and 1 bearing
	001651	Top/bottom guide with concealed boss hinge
	002153	Folding door hinge, zinc plated steel
	001652	Concealed hinge

WS306 - For Timber Shutter



Features:

- The universal Sliding fitting is a patented product by EuroArt.
- The silent sliding system has brushed roller for smooth and high efficient movement.
- The rollers are made of high quality Polyoxymethylene (POM) to achieve its long life span.
- The dampers are anti-jump and Anti-decoupling function.

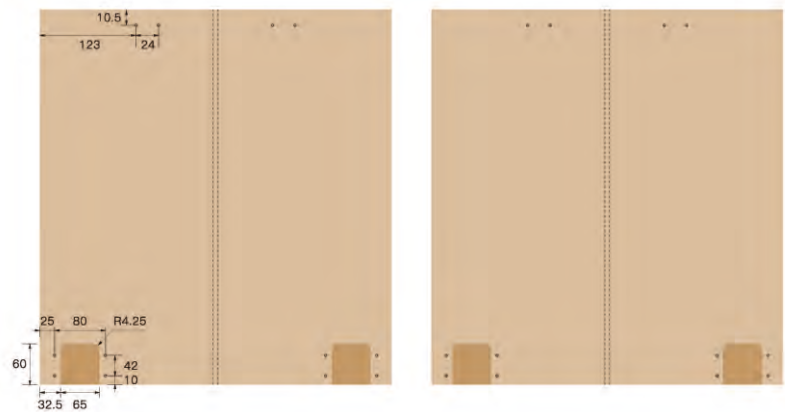
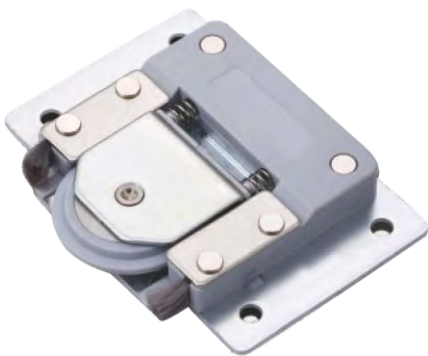
Shutter thickness - 18mm to 32mm

Weight capacity per panel - 10kgs to 60kgs

Shutter width - 500mm minimum and 1200mm maximum

Shutter height - 2500mm Minimum and 3000mm Maximum

Installation



WSR306-20

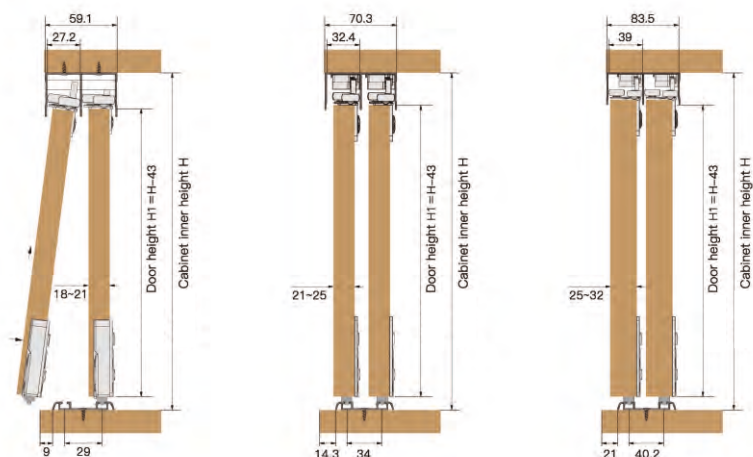
Door Thickness : 18mm to 21mm

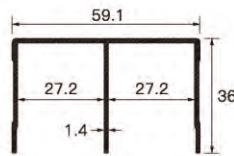
WSR306-25

Door Thickness : 21mm to 25mm

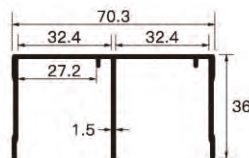
WSR306-32

Door Thickness : 25mm to 32mm

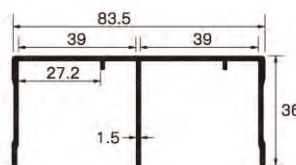


Installation Guide for Wooden Door
Upper Rail

WSR306-20

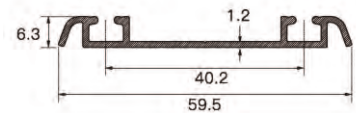
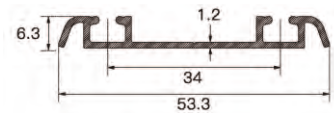
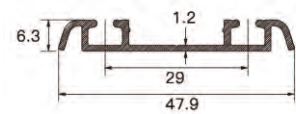
Door Thickness : 18mm to 21mm

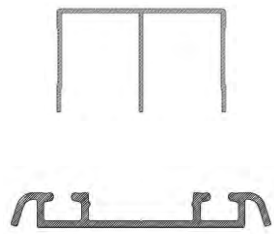



WSR306-25

Door Thickness : 21mm to 25mm


WSR306-32

Door Thickness : 25mm to 32mm

Down Rail


Item Code	Description	Photos
WSR306	Upper & Down Rail 2 Doors & 3 Doors	
WS306-02	Sliding Door System for 2 Doors	
WS306-03	Sliding Door System for 3 Doors	

WS309 - For Timber Shutter



Features:

- Concealed damper in minimum 18mm top panel.
- Silent sliding function with easy adjustment.

Specifications:

- Wardrobe width: 500-1200mm
- Minimum door thickness: 20mm
- Door height: Max. 2500mm
- Door weight: 10-50kg per panel

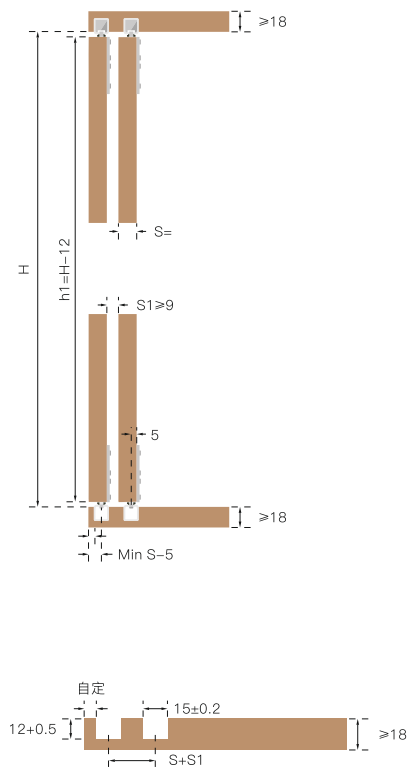
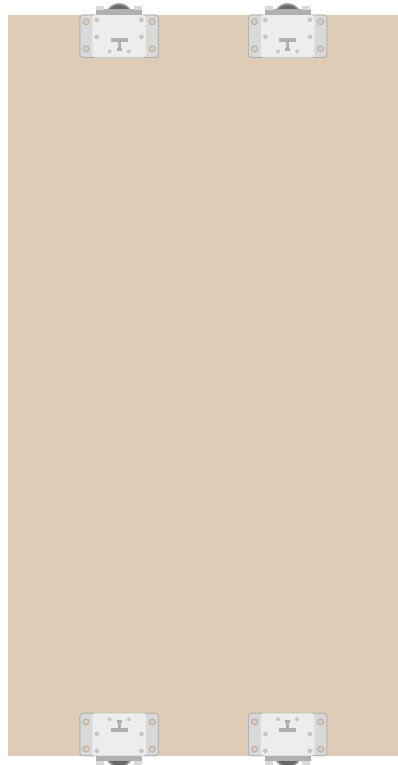
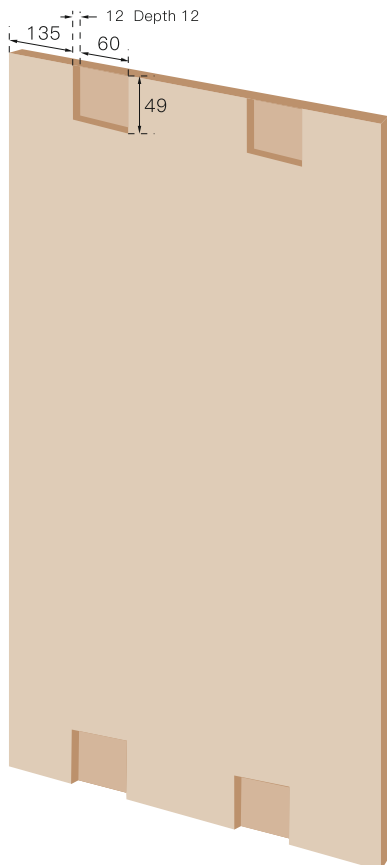
Weight




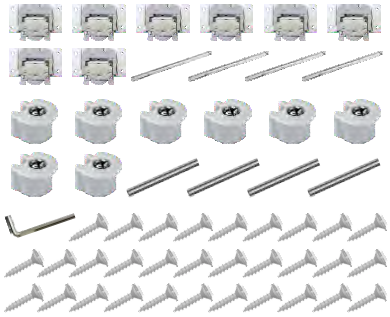
Slot on door panel

Running Installation

Wardrobe rail



Damper Installation


Item Code	Description	Photos
WSR309	2500mm Aluminium Track	
WS309	Sliding Door System for 2 Doors	

WS408 - For Aluminium Profile Door



Features:

- External installation with double soft close system for aluminium frame door upto 35mm.
- Concealed damper with re-set function.
- Damper with anti jump and anti decoupling function.
- Reduction of the handle to the essential: visually minimalistic without losing grip surface for a comfortable opening and closing of the doors.

Specifications:

- Door width: 650-1200mm
- Door thickness: upto 35mm profile
- Door height: Max 2500mm
- Door weight: 10-50kg per panel

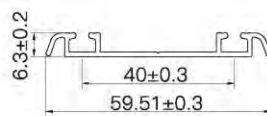
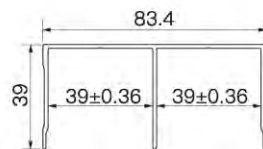
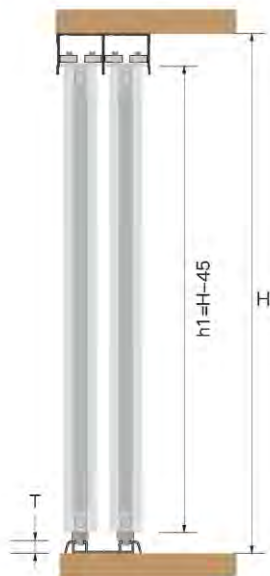
Weight



Installation Possibilities



Installation



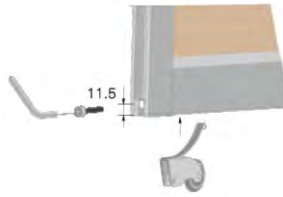
Required dimension of door height and cabinet height.

$$h1 = H - 45 - (T - 6)$$

Suitable for door width.

T = Height of down rail, if T > 6

$$h1 = H - 45 - (T - 6)$$

Installation


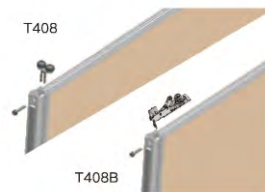
Runner installation



Stopper installation



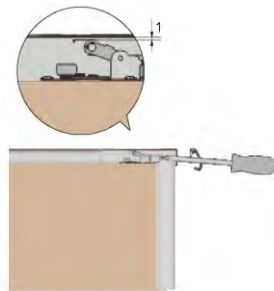
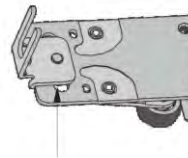
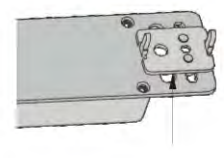
Damper installation




Upper runner installation



Plastic accessory installation


 Anti-jumping upper runner
adjustment
1mm gap left in the space

 Adjust the deviation
of foot in top

 Adjust the deviation
of foot in bottom

Item Code	Description	Photos
WS408-TL-390	Light damper (Less than 15Kg.)	
WS408-TL-375		
WS408-TM-390	Standard damper (15 to 25Kg.)	
WS408-TM-375		
WS408-TH-390	Heavy damper (25 to 50Kg.)	
WS408-TH-375		

WS409 - For Timber Shutter



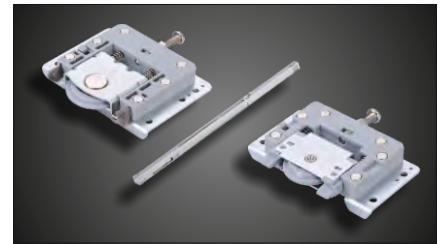
Features:

- External installation with double soft close system, no cutting or grooving needed
- Concealed damper with re-set function
- Damper with anti jump and anti decoupling function
- Reduction of the handle to the essential: visually minimalistic without losing grip surface for a comfortable opening and closing of the doors

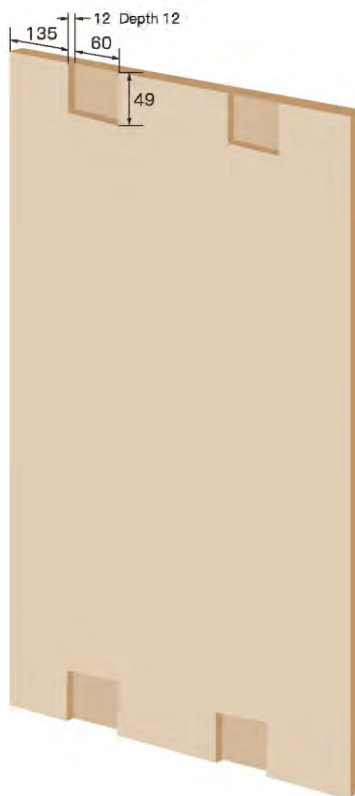
Specifications:

- Door width: 500-1200mm
- Door thickness: Max 20mm
- Door height: Max 2500mm
- Door weight: 10-50kg per panel

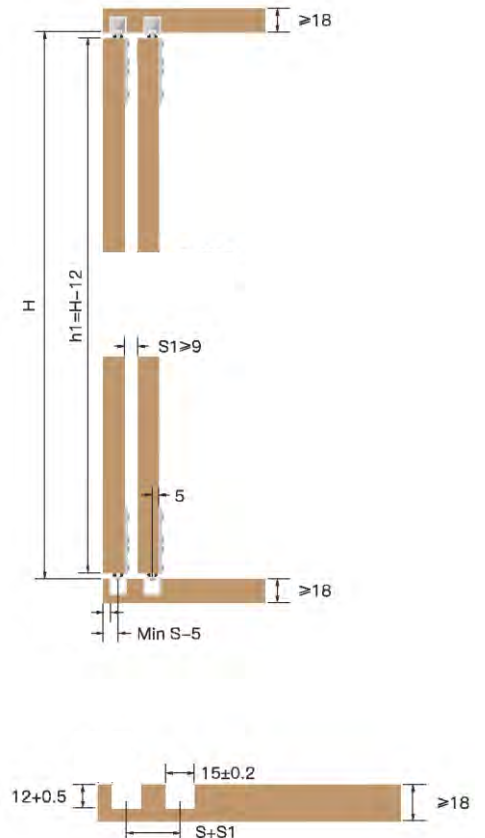
Weight



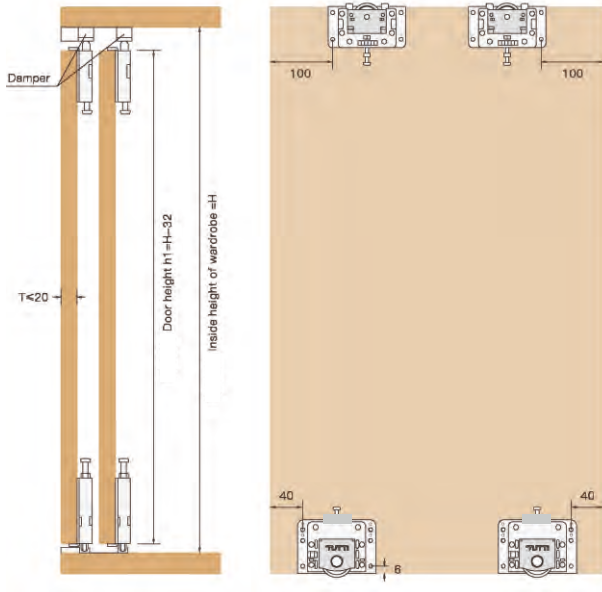
Slot on door panel



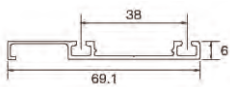
Running Installation



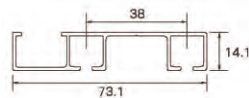
Installation Guide for Wooden Door



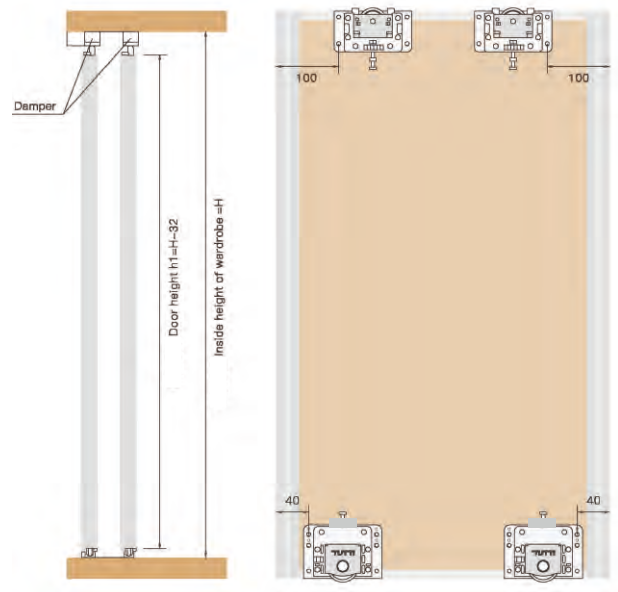
WSR409
Down rail



Upper rail



Installation Guide for Wooden Aluminium Frame Door



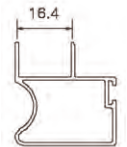
WSF409-2.5/3.0H
Upper / Down Frame



WSF409-3.0M
Middle Frame



WSF409-2.5V
Profile Handle



Item Code	Description	Photos
WSR409-02 2 Doors	2000mm Top + Bottom Aluminium Track Set	
WSR409-03 3 Doors	3000mm Top + Bottom Aluminium Track Set	
WS409-02 2 Doors	Sliding Door System for 2 Doors	
WS409-03 3 Doors	Sliding Door System for 3 Doors	

WS509 - For Timber Shutter



Features:

- Automatic hook coupling function (Anti-decoupling)
- Up and down sync damping with excellent soft close performance

Specifications:

- Door width: 700-1500mm
- Door thickness: 16-20mm, 20-25mm
- Door height: Max 2500mm
- Door weight: 20-50kg per panel

Weight

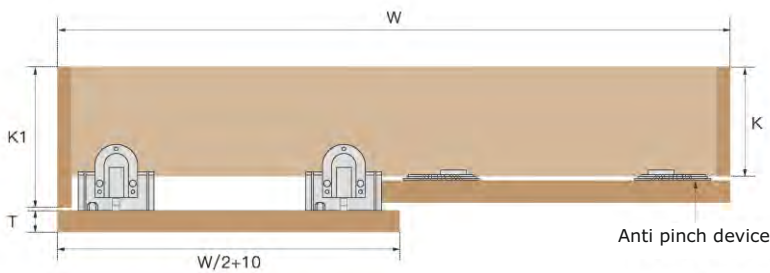


Installation

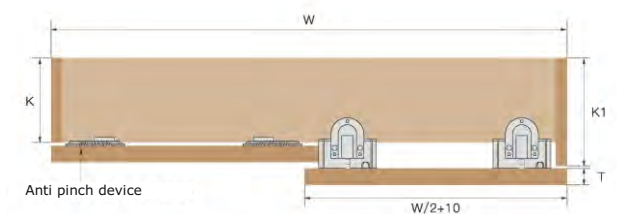
$$K1 = K + 31$$

T = Door Thickness

$$(16 \leq T \leq 20, 20 \leq T \leq 25)$$

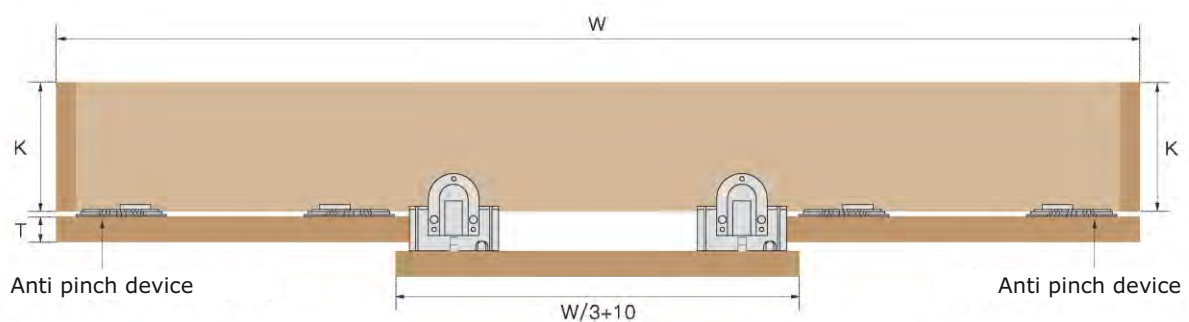


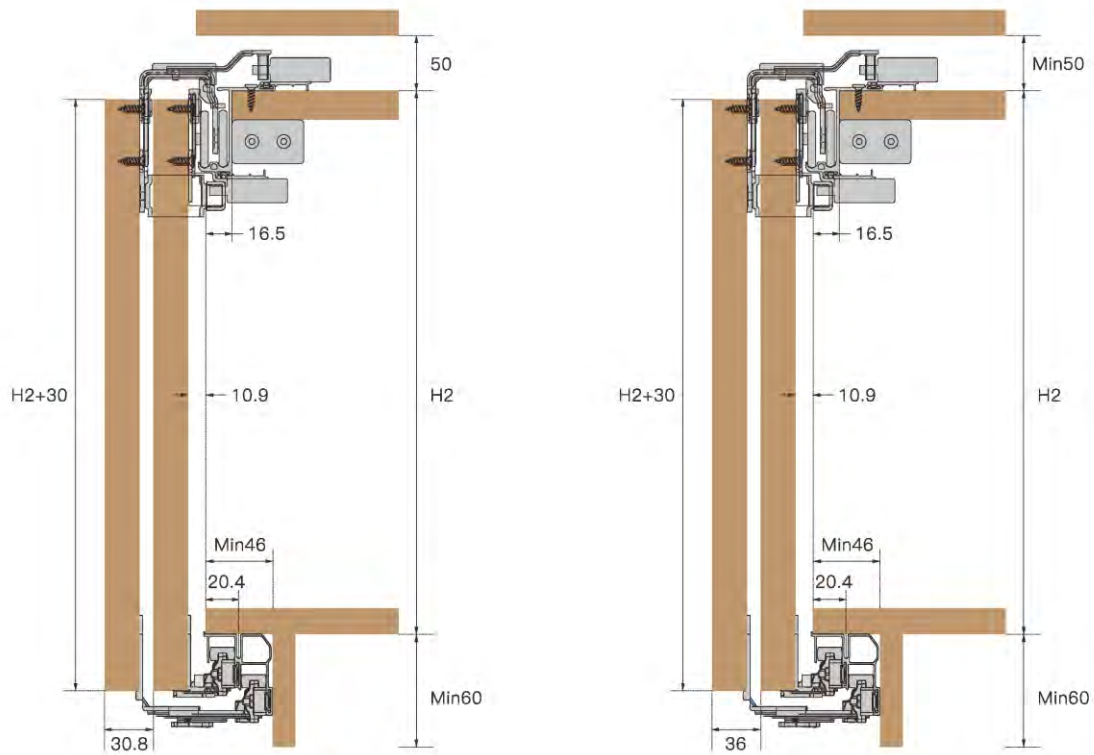
Outer door is on the left


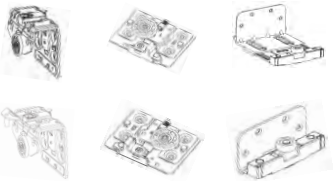
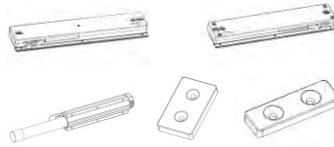




Outer door is on the right

Outer door is in the middle



Installation


Item Code	Description	Photos
WSR509	3000mm Top + Bottom Aluminium Track Set	
WS509-02 2 Door	Sliding Door System for 2 Doors	   
WS509-03 3 Door	Sliding Door System for 3 Doors	
WS509-MD 3 Door	Sliding Door System for 3 Doors	

WS602 - For Timber Shutter



Features:

- Rollers mounted on ball bearing to absorb possible irregularities in the profile
- Up and down sync damping with excellent soft close performance

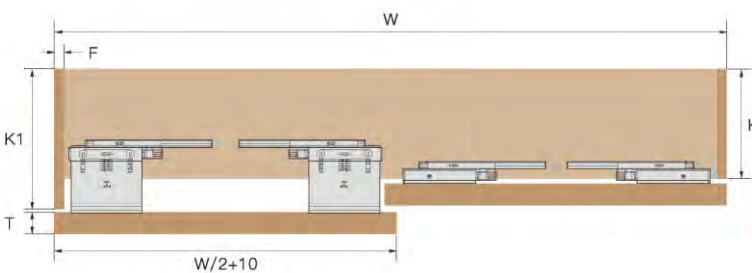
Specifications:

- Door width: 700-1500mm
- Door thickness: 16-46mm
- Door height: Max 2500mm
- Door weight: 20-80kg per panel

Weight



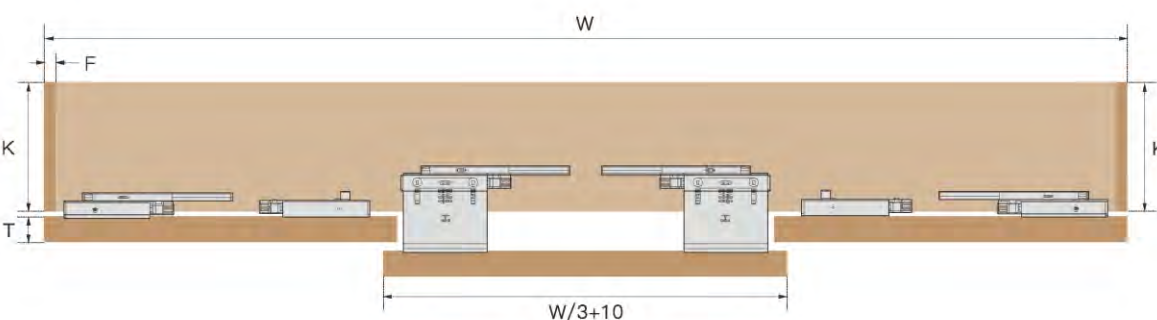
Double soft close for 2 doors



Installation

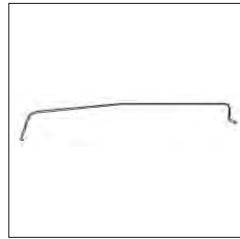
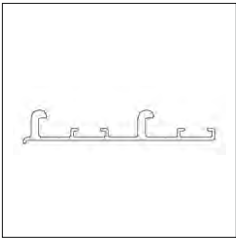
- $K1 = K + T + 8$
- $T = \text{Door Thickness } (16 \leq T \leq 46)$
- $F = \text{Thickness of side panel}$

Double soft close for 3 doors

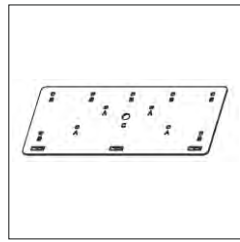
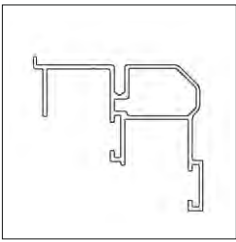


Installation

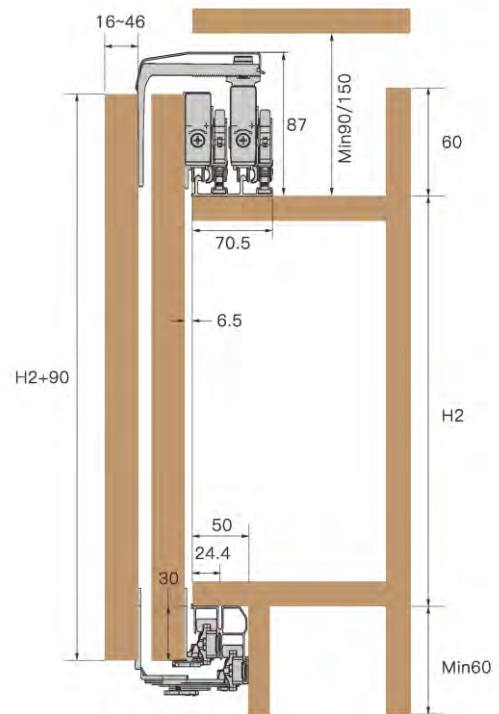
Aluminum Configuration



For optional



Position template



Item Code	Description	Photos
WSR602	3000mm Top + Bottom Aluminium Track Set	
WS602-02 2 Door	Sliding Door System for 2 Doors	
WS602-03 3 Door	Sliding Door System for 3 Doors	
WS602-MD 3 Door	Sliding Door System for 3 Doors	

WS803 - Inline Sliding Fitting



Features:

- Patented product.
- Two door closing in one line.
- Double soft closing function to achieve for long life.
- Automatic cleaning brush structure for smooth and silent operation.
- Load bearing capacity : 80kg/panel.
- Suitable for wooden and aluminium frame doors.
- Track dimensions : 1350-1650mm
1650-2050mm, 2050-2450mm, 2450-2850mm

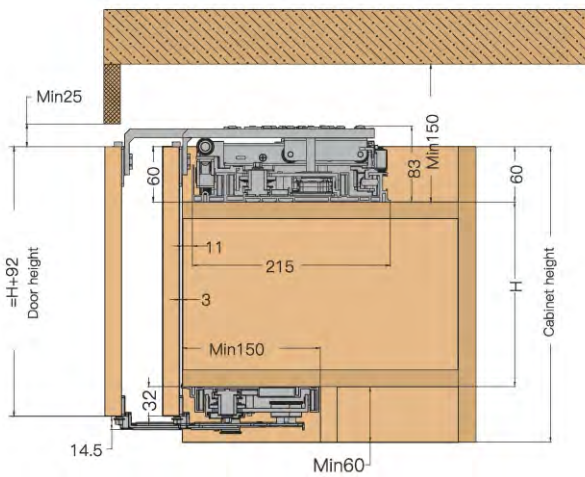
Weight



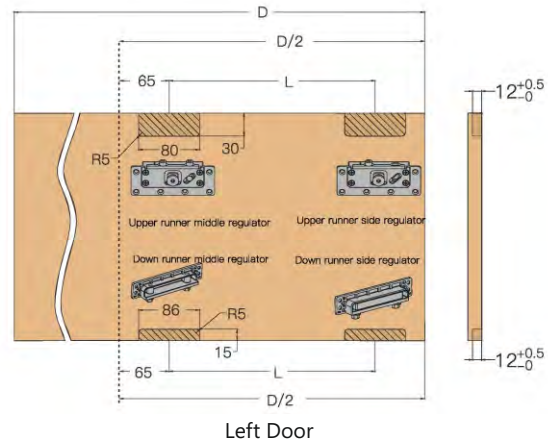
Installation Possibilities



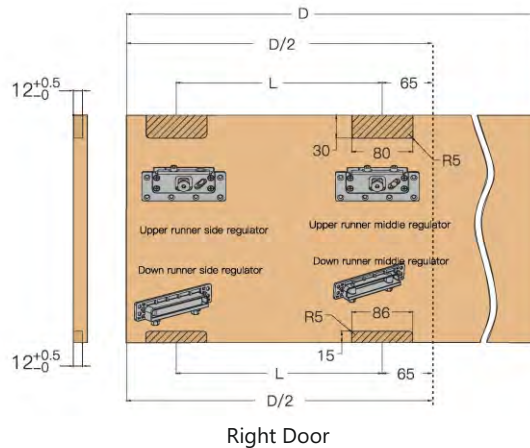
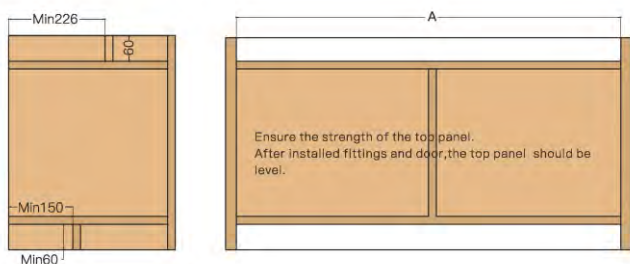
Specification



Install Accessories in the door



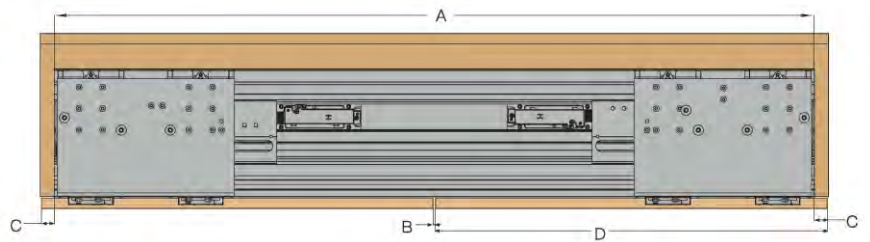
Cabinet Requirement



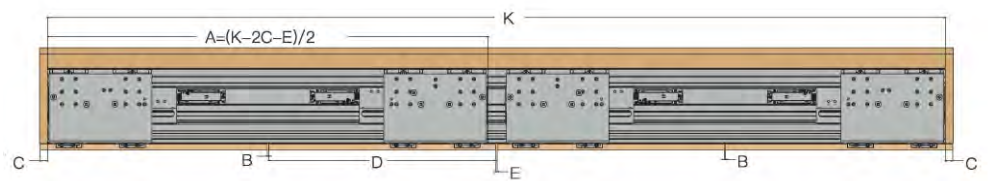
Door Panel Cover Side Panel

A=Single product standard length
 D=Door width= $(K+2C-2B-E)/4$
 E=Gap between middle two doors
 (two doors not open at same time, $E \geq 3\text{mm}$
 two doors open at same time $E \geq 6\text{mm}$)
 K=Four door Inner width of Cabinet

According to A value to choose the
 product length remark Single rail
 length $K/2$



Two doors cabinet parameters



Four doors cabinet parameters

Item no.	Size Adjustment	Accessories/Set
WS803-1650	1350mm to 1650mm	Upper rail (1Pc), Down rail (1Pc) Upper runner middle regulator (2Pcs.) Upper runner side regulator (2Pcs.) Down runner middle regulator (2Pcs.) Down runner side regulator (2Pcs.) 15-8 Spanner (1Pc), Side Spring (2Pcs.) Spacer (4Pcs.)
WS803-2050	1650mm to 2050mm	
WS803-2450	2050mm to 2450mm	
WS803-2850	2450mm to 2850mm	



Item Code	Cabinet Standard Inner Width (mm)	Cutttable Rail Range (mm)
WS803-2050	2050	1650-2050
WS803-2450	2450	2050-2450
WS803-2850	2850	2450-2850
WS803-1650	1650	1350-1650

WSF-CDA - For Timber Door Alignment

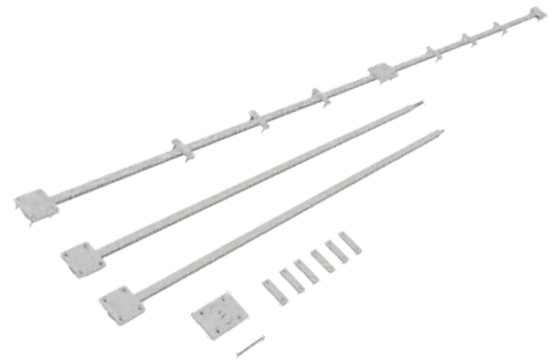


Features:

- Area of Application: For hinged doors and sliding doors, prevents doors warping in either direction or straightens doors which have become warped.

Specifications:

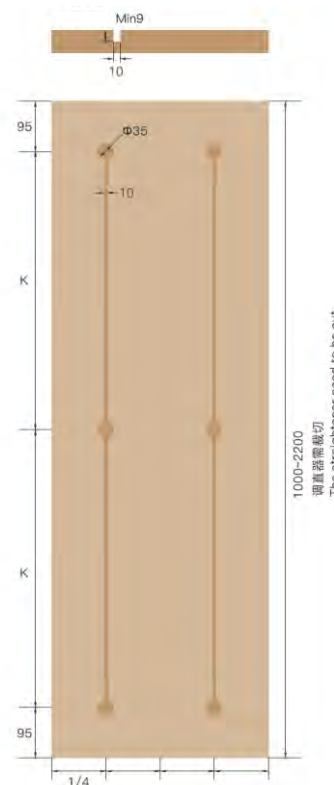
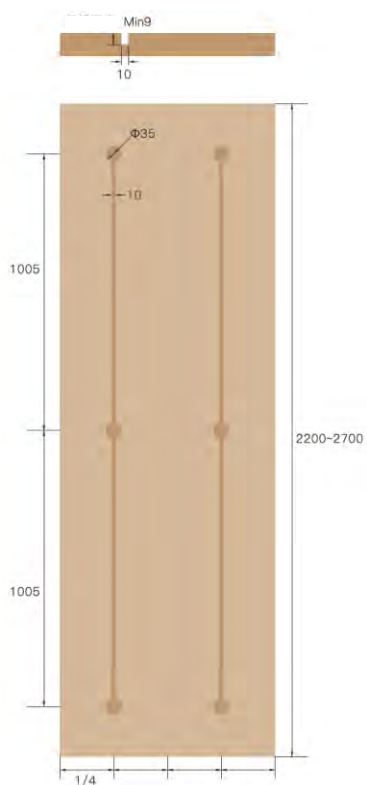
- Door thickness: Min 15mm
- Door height: Max 2200-2700mm
- Material: Straightener - Steel
Regulation plate - Zinc alloy
Decorative cover - Plastic



Installation

Slotting dimension requirement

Use two set when door width is more than 600mm



1000-2200
彈簧器需截切
The straightener need to be cut

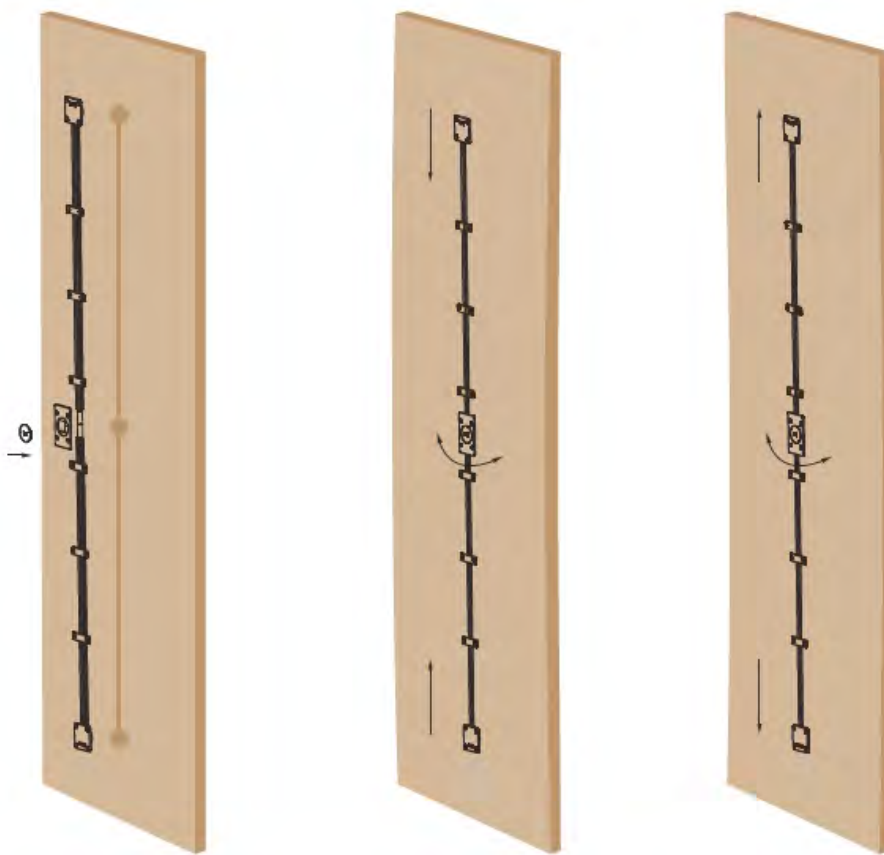



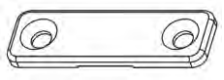

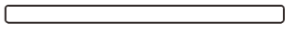
Instruction for alignment


Photo	Description	Qty
	Left straightener	1
	Right straightener	1
	Regulation plate	1
	Connecting plate	6
	Decorative plate	1
	Iron rod	1

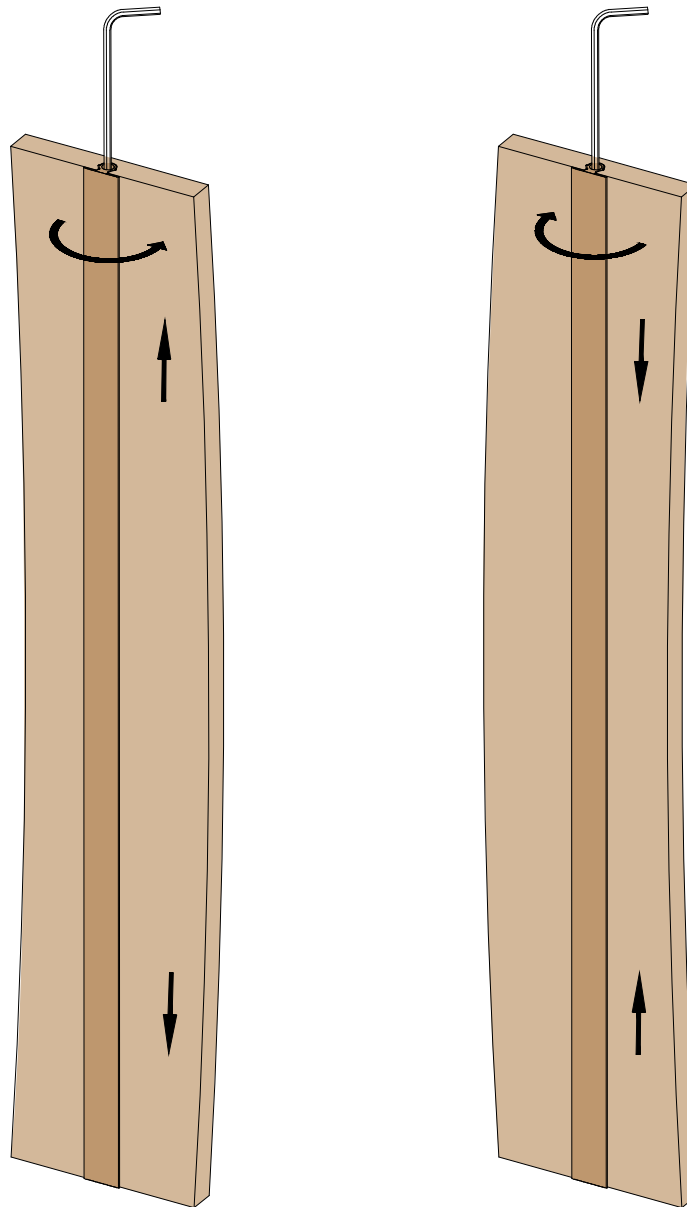
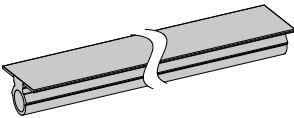

Instruction for alignment


Photo	Description	Qty
	External door alignment	1
	Allen Key	1

WSFST6 - For Timber Door Alignment



Features:

- Area of Application: For hinged doors and sliding doors, prevents doors warping in either direction or straightens doors which have become warped.

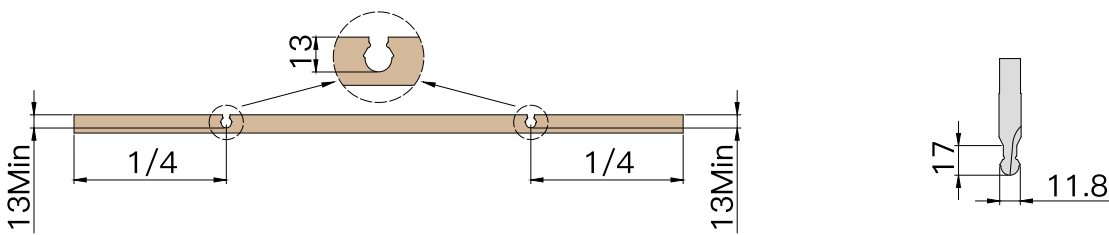
Specifications:

- Door thickness: Min 15mm
- Door height: Max 1800-2600mm
- Material: Straighter - Steel
Regulation plate - Zinc alloy
Decorative cover - Plastic

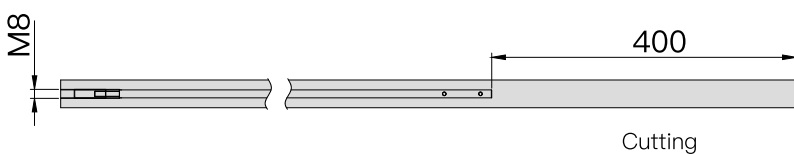


Installation

Slotting dimension requirement. Make slot with a 11.8x17 milling cutting.
Use two set when door width is more than 600mm



Concealed door alignment length cutting,
aluminium maximum cutting size is 400mm





Sales Office

Euro Art (UK) LTD.
69 Staverton Road, London
NW2 5HA

Warehouse

2 Lower Cockcroft
Blackburn
United Kingdom
BB2 1JD

T.: +44 1254 433883
M.: +44 787 565 1180
E.: uk@euro-art.co.uk

Oman Sales Office

Al Ghala, Muscat
T.: +968 24 117 173
M.: +968 77 027 925
E.: oman@euro-art.co.uk

Middle East, Asia & Africa

Euro Art (Middle East) FZCO
Warehouse ZE4
Jebel Ali Free Zone
Dubai, UAE

T.: +971 4 888 6345
M.: +971 50 297 9761
E.: me@euro-art.co.uk

Design Centers

Dubai: Airport Road
T.: +971 4 295 1105
M.: +971 54 990 7059
E.: me@euro-art.co.uk

Abu Dhabi: Najda Street
T.: +971 2 564 7111
M.: +971 50 209 9786
E.: ad@euro-art.co.uk

Doha: Barwa Village
T.: +974 4 490 7530
M.: +974 7 733 5728
E.: qatar@euro-art.co.uk

UAE Distribution Center

Mobility General Trading LLC
Industrial Area, Behind Al Khail
Mall, Al Quoz
Dubai, UAE

T.: +971 4 269 3832
M.: +971 50 811 9561
E.: sc@euro-art.co.uk

Saudi Office (KSA)

Mobility Arabia Trading
Company (EuroArt)
Manar Business Center,
Khalid Bin Walid Street,
Rakah Shamaliyah,
Dammam 34224, Saudi
Arabia

M.: +966 55 524 0620
E.: ksa@euro-art.co.uk

www.euro-art.co.uk