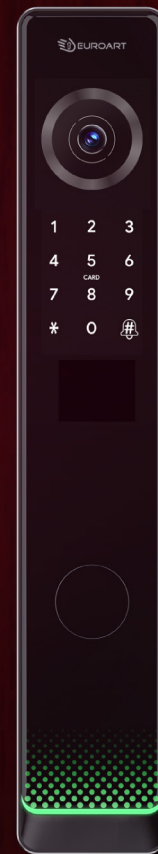


ELEVATE SECURITY
EMBRACE LUXURY



 **EUROART**
DIGILOCKS





WHERE SOPHISTICATION MEETS PERSONALISED PROTECTION

In the realm of modern living, where sophistication meets innovation, our latest offerings - EuroArt DigiLocks - stand as a testament to the fusion of luxury and technology, where cutting-edge advancements seamlessly integrate with opulent design, delivering products that not only meet the highest standards of performance but also elevate everyday living to a new level of elegance.





A GLOBAL JOURNEY

EuroArt has two main distribution hubs - Blackburn, UK and Jebel Ali, Dubai, UAE. The Blackburn, UK distribution center caters the European market where as the Jebel Ali, UAE distribution center manages Middle East, Asia and Africa. Our strong logistics helps us build worldwide presence by managing the supply chain flow from our factories to warehouses and to reach the final consumer.



ENHANCING LIFESTYLES SINCE THE 1980s

EuroArt (UK) Ltd, based in Blackburn, UK, develops and manufactures a wide range of door hardware, including digital locks, mortise locks, lever handles, cylinders, and builder's hardware. Through continuous innovation, we produce reliable products with high aesthetic value. All our products are tested to international standards, ensuring superior quality at every stage of production.

Our dedicated export office manages global operations, providing unmatched support to architects, contractors, and corporations worldwide. With extensive expertise, we offer tailored product solutions to meet modern building demands.

We offer a 5-10 year guarantee against manufacturing defects. Defective products will be replaced free of charge, provided they have been correctly installed and maintained. Comprehensive technical support is available via phone, email, or our website.

www.euro-art.co.uk

EA520 ADVANCE



LIVE VIEWING: View the person standing outside your door in real-time, allowing you to assess visitors before opening the door.

TWO-WAY COMMUNICATION: Communicate with visitors without the need to open the door. Speak to them directly through the built-in microphone and speaker.

REMOTE ACCESS VIA APP: Access the same live viewing screen remotely via our dedicated mobile app from anywhere with an internet connection

TALK TO VISITORS REMOTELY: Speak to visitors even when you're not at home. Engage with them through the app, providing instructions or reassurance.

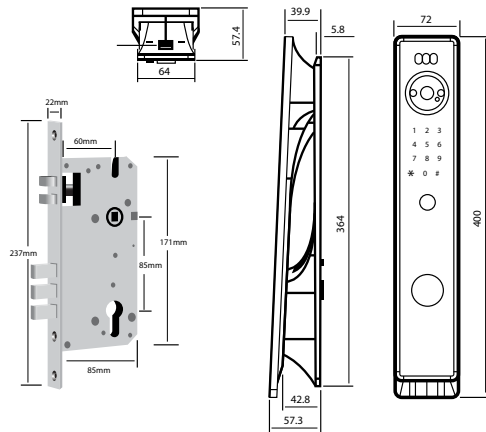
ENHANCED SECURITY: Keep your home secure by verifying the identity of visitors before granting access, all from the safety of your smartphone.

CONVENIENT MONITORING: Monitor your doorstep activity conveniently from your smart phone, giving you peace of mind whether you're at home or away.

HIGH QUALITY VIDEO: Enjoy clear and crisp video quality, allowing you to see every detail of who is at your door, day or night.

MOTION DETECTION ALERTS: Receive instant notifications on your smartphone when motion is detected near your door, adding an extra layer of security.

USER FRIENDLY INTERFACE: Intuitive interface on both the device and the mobile app makes navigation and operation effortless for users of all levels of tech savviness.



Specifications

Battery	Rechargeable Lithium Battery, Micro USB for Emergency
Battery Life	3-6 Months
Working Temperature	25° ~ 60°
Working Humidity	0% ~ 95%
Door Thickness	35 ~ 60mm
Material	Aluminium Alloy
Lock Dimension	300mm (H) 67mm (W) * 22mm (T)
Finish Option	Matt Black, Satin Stainless Steel



3D Face Scan



APP Unlock



RFID Card



Wifi



Fingerprint



Pincode Unlock



Emergency Unlock Key



Anti Theft



Lithium Battery



TYPE C
USB POWER
BACKUP



MBL



SSS

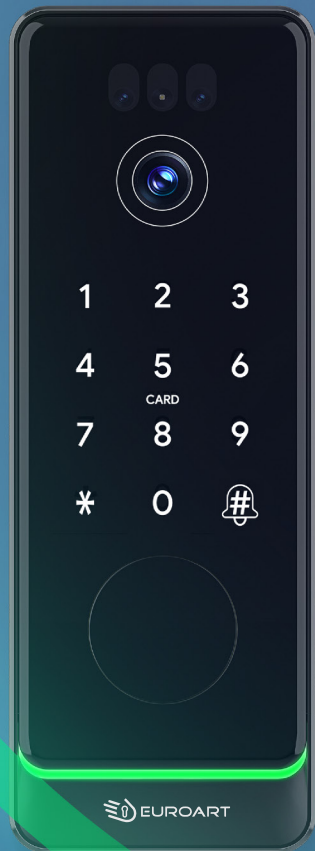


SCG



MAB

EA230

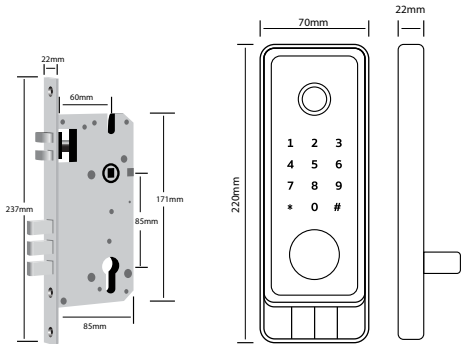




Specifications

Battery	Lithium Rechargeable Battery, Micro USB for Emergency
Battery Life	3-6 Months
Working Temperature	25° ~ 60°
Working Humidity	0% ~ 95%
Door Thickness	35 ~ 60mm
Material	Aluminum Alloy
Lock Dimension	300mm (H) 67mm (W) * 22mm (T)
Finish Option	Matt Black

Step into the future of home security with the EA 230 Lock, where cutting-edge technology meets everyday convenience. Designed to integrate seamlessly into your smart home ecosystem, The EA 230 Lock offers a multitude of features that bring security and smart technology right to your doorstep.



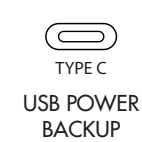
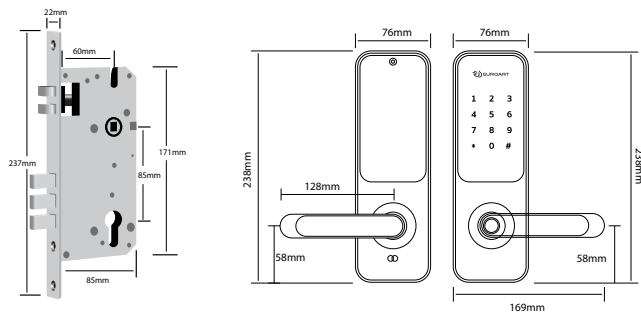
EA220



The EA 220 Compact Lock, where state-of-the-art technology converges with sophisticated design. Despite its compact dimensions, this robust device is packed with sophisticated functionalities such as an integrated camera, peer-to-peer intercom, and screen options, offering a full-fledged security system without any compromise.

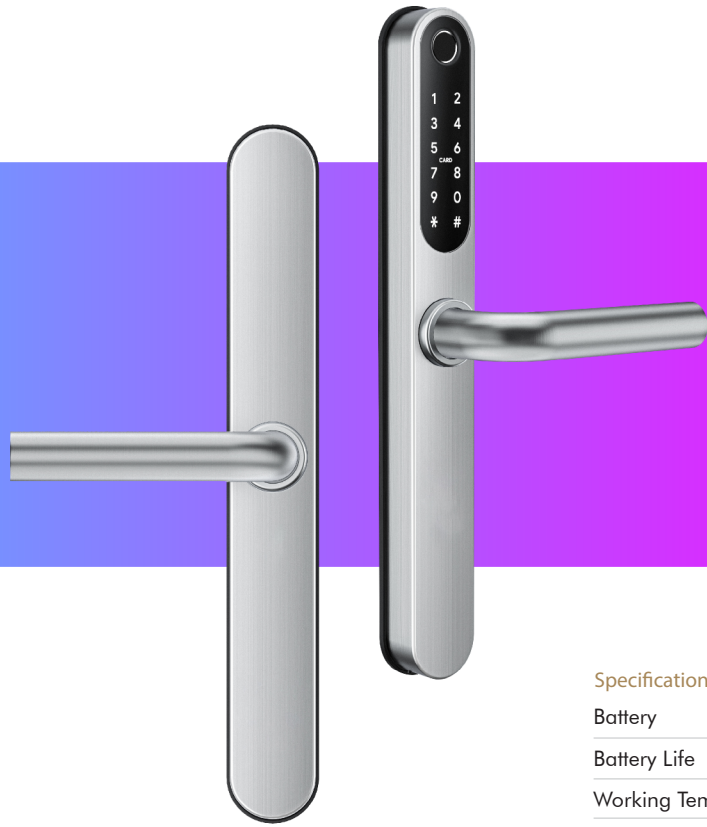
Specifications

Battery	AA+ 4 Battery, Micro USB for Emergency
Battery Life	12 Months
Working Temperature	25° ~ 60°
Working Humidity	0% ~ 95%
Door Thickness	35 ~ 60mm
Material	Aluminium Alloy
Lock Dimension	300mm (H) 67mm (W) * 22mm (T)
Finish Option	Matt Black, Satin Stainless Steel



EA100 SLIMLINE

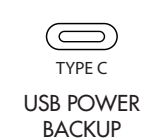
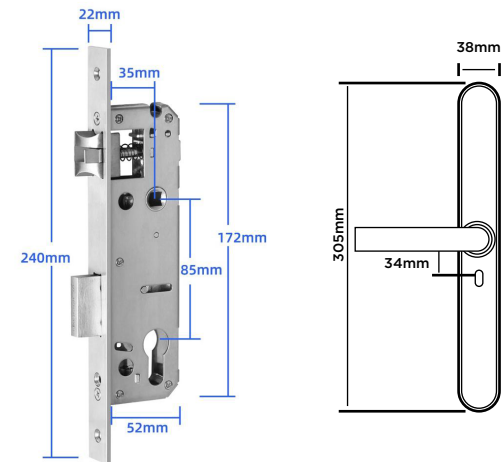




The EA 100 Slimline Digital with its cutting-edge features and seamless integration with the Mobile App, this digital lock offers unparalleled access control at your fingertips. Utilize Bluetooth E-key technology for effortless entry, or connect via WiFi (additional WiFi gateway/hub required) for remote unlocking capabilities from anywhere in the world. Rest assured, your security is paramount with multiple access options including fingerprint recognition, pin codes and non-hackable encrypted cards. In case of emergencies or technological glitches, the mechanical key ensures reliable access at all times.

Specifications

Battery	AA+ (4Battery) Micro USB for Emergency
Battery Life	12 Months Battery Life
Working Temperature	25° ~ 60°
Working Humidity	20% ~ 95%
Door Thickness	35 ~ 65mm
Material	304 Stainless Steel
Test Cycle	2,50,000 Cycle tested, 200 hours Salt Spray Tested
Lock Dimension	305mm(H) 38mm (W) * 23mm(T)
Finish Option	Satin Stainless Steel



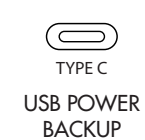
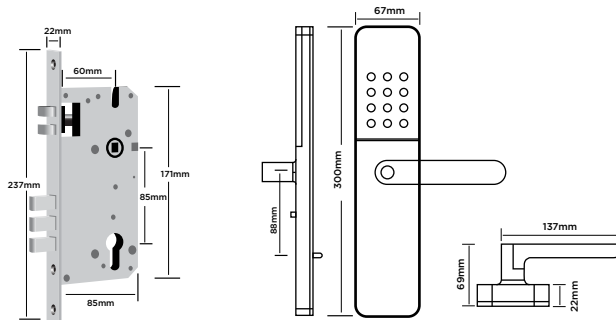
EA110



The EA 110 Digital with its cutting-edge features and seamless integration with the Mobile App, this digital lock offers unparalleled access control at your fingertips. Utilize Bluetooth E-key technology for effortless entry or connect via WiFi (additional WiFi gateway/ hub required) for remote unlocking capabilities from anywhere in the world. Rest assured, your security is paramount with multiple access options including fingerprint recognition, pin codes, and non-hackable encrypted cards. In case of emergencies or technological glitches, the mechanical key ensures reliable access at all times.

Specifications

Battery	AA+ (4Battery) Micro USB for Emergency
Battery Life	12 Months Battery Life
Working Temperature	25° ~ 60°
Working Humidity	0% ~ 95%
Door Thickness	35 ~ 60mm
Material	Aluminium Alloy
Lock Dimension	300mm (H) 67mm (W) * 22mm (T)
Finish Option	Matt Black



EA120

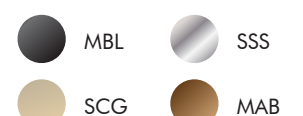
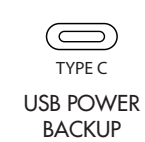
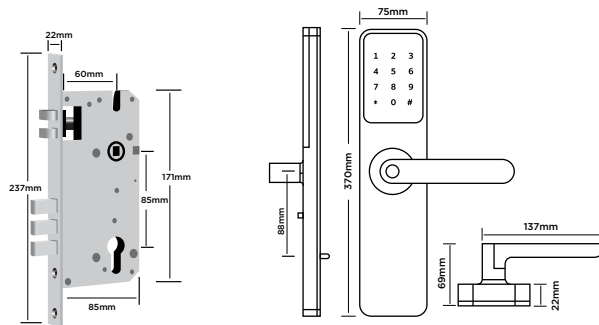


Upgrade your home or office security with the EA 120 Smart Lock, its clean, standard design seamlessly integrates with the Mobile App for effortless access control.

Enjoy Bluetooth E-key technology or remote unlocking via WiFi (Optional). Choose from fingerprint, pin codes, or encrypted cards for multiple access options. Plus, in emergencies, we have a mechanical key for access.

Specifications

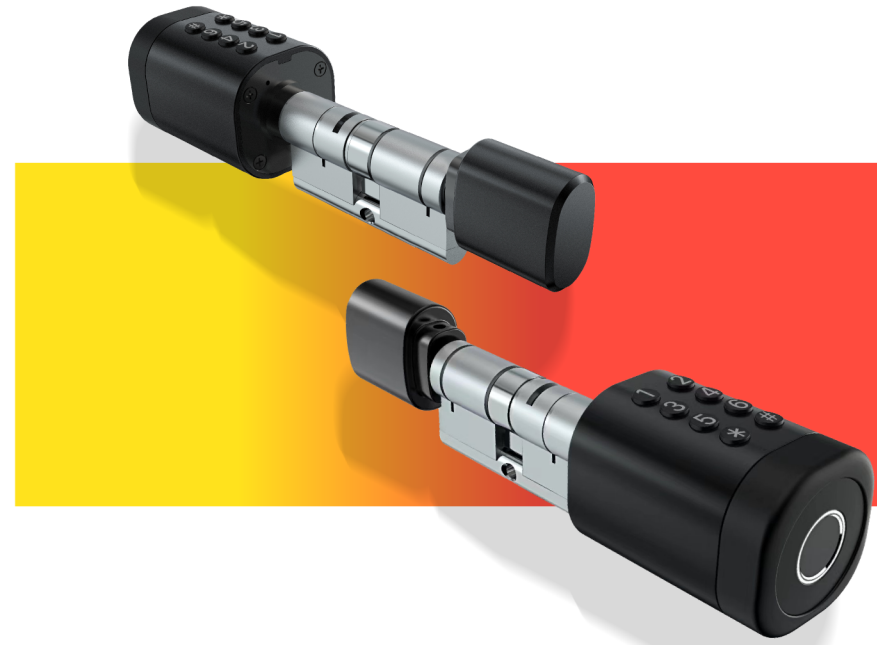
Battery	AA+ (4Battery) Micro USB for Emergency
Battery Life	12 Months Battery Life
Working Temperature	25° ~ 60°
Working Humidity	0% ~ 95%
Door Thickness	35 ~ 60mm
Material	Stainless Steel/ Aluminium Alloy
Lock Dimension	300mm (H) 67mm (W) * 22mm (T)
Finish Option	Matt Black, Satin Stainless Steel



EA RETRO

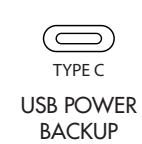
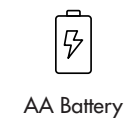
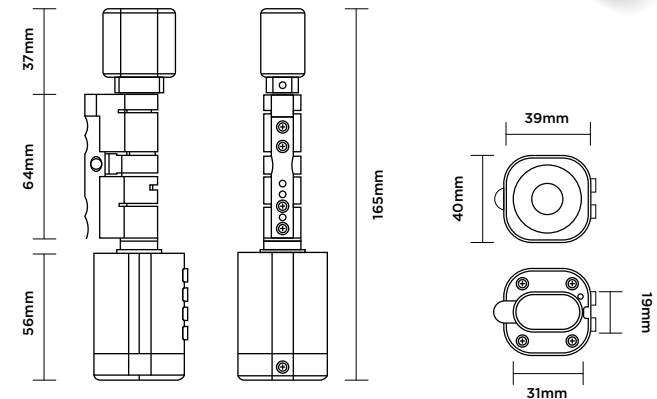


Introducing the EA Retrofit Series Digital Lock – the smart solution for upgrading your home security hassle free. Why endure door damage when you can effortlessly retrofit this advanced lock yourself? With Bluetooth E-key, WiFi connectivity (additional gateway/hub required), fingerprint recognition, pin codes, non-hackable cards, and a Mechanical key, enjoy comprehensive security features seamlessly integrated into your existing setup. DIY installation takes just minutes, allowing you to enhance your home’s security swiftly and effortlessly. Plus, receive notifications via WiFi gateway from anywhere in the world, ensuring you’re always in the know about your home’s security. Say goodbye to door damage and hello to peace of mind with EuroArt Retrofit Series – where security meets simplicity, without compromising your door’s integrity.



Specifications

Battery	CR123A (2Battery) Micro USB for Emergency
Battery Life	12 Months Battery Life
Working Temperature	25° ~ 60°
Working Humidity	20% ~ 95%
Door Thickness	35 ~ 60mm
Material	Aluminium Alloy
Test Cycle	2,50,000 Cycle tested, 200 hours Salt Spray Tested
Lock Dimension	56mm x 39mm
Finish Option	Matt Black





UNITED KINGDOM

York House, Fort Street
Blackburn, Lancashire - BB1 5DP

Mob: +44 78 75 65 1180
Email: uk@euro-art.co.uk

MIDDLE EAST

Airport Road, Al Garhoud
Dubai, United Arab Emirates

Mob: +971 50 2979761
Email: me@euro-art.co.uk

www.euro-art.co.uk