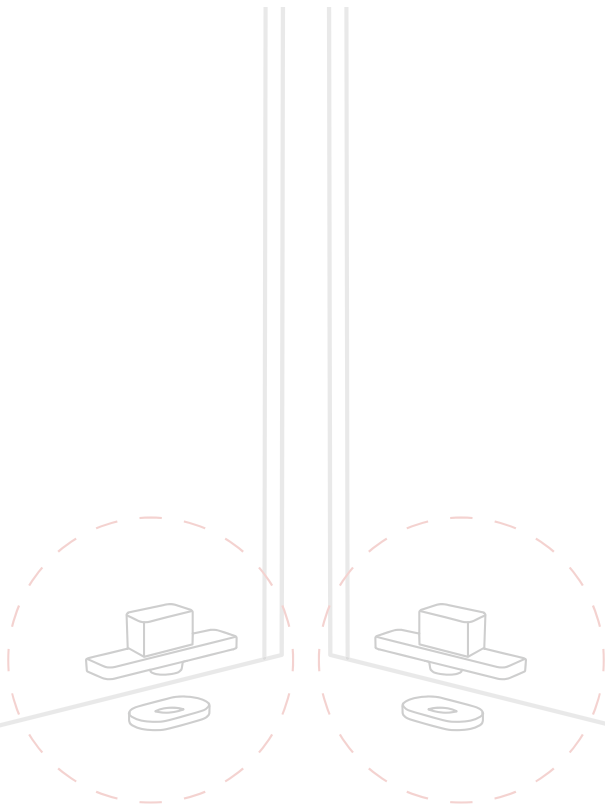


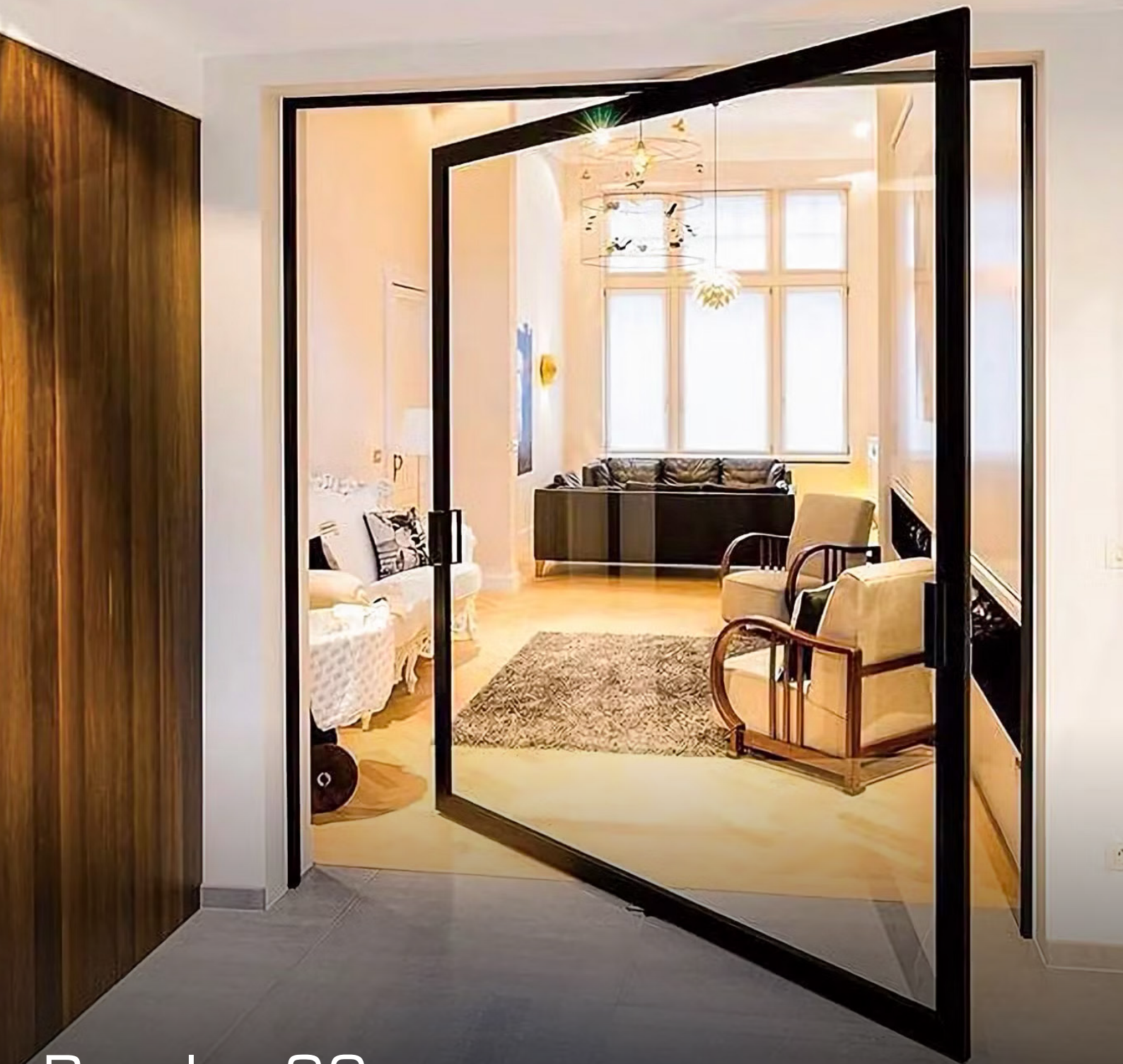
EUROART
Pivot System

The logo features a stylized hand icon in dark red, with a keyhole shape in the center. The word "EUROART" is written in a bold, sans-serif font, with "EURO" in a dark green color and "ART" in dark red. Below it, the words "Pivot System" are written in a smaller, black, sans-serif font.

A pivot system is a mechanical assembly that enables rotational movement around a central point or axis. In various applications, such as doors, windows, or machinery, pivot systems allow components to swing or rotate smoothly and efficiently.







Revolve 90

Engineered for smooth operation, the Pivot features damper stops at every **90°** and supports **500kgs** door installations with **no height or width limitations**, ensuring unmatched flexibility and reliability.

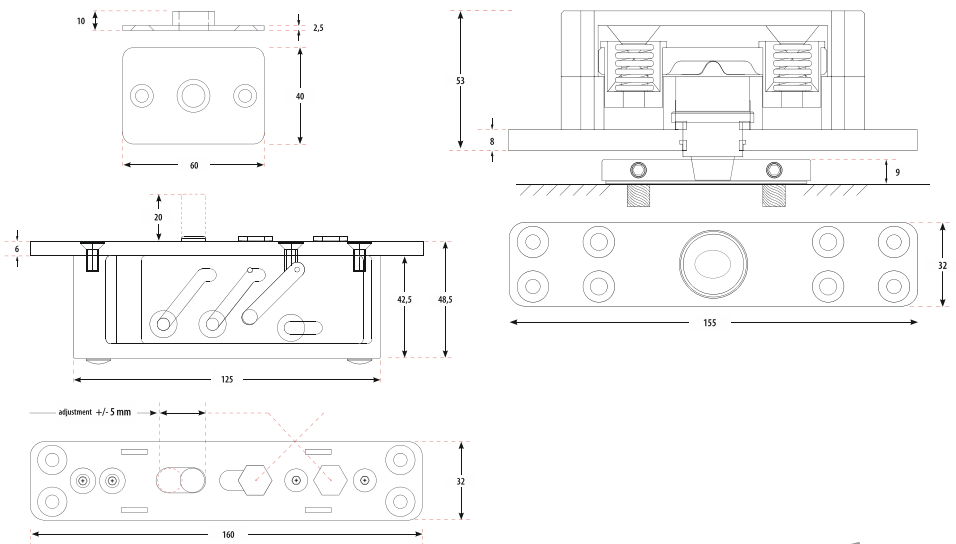
PIVOT SYSTEM

Revolve 90



Features:

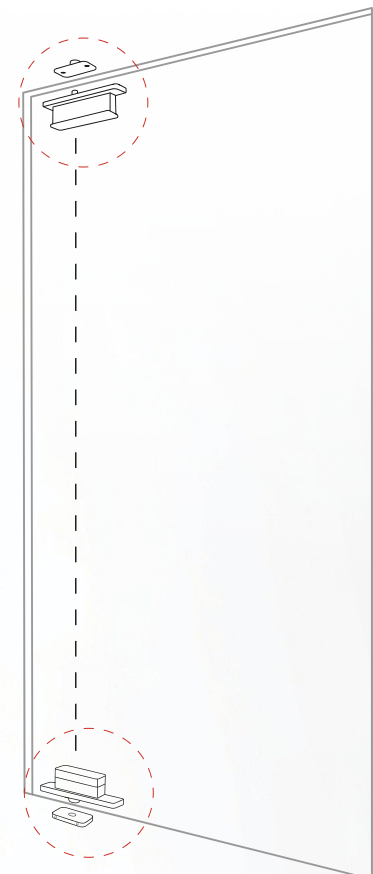
- Pre-set hold positioning at various angles (e.g. 0°, 90°, 180° and 270°) provide reliable stability.
- 20° return before the stop position in ensures smooth and controlled closure. Suitable for both single-acting and double-acting pivot doors.
- Constructed with high-quality materials for long lasting performance.
- Ensures quiet and seamless door motion.
- Adaptable for residential, commercial and industrial spaces.
- Designed for minimal upkeep and reliable functionality over time.



Finish: Silver

Door specification

Hold positioning	0°, 90°, 180° 270°
Weight capacity	0-500 kg.
Door width	Unlimited
door height	Unlimited
Pivot point	Middle and center
Min. door thickness	40mm
Top gap	6mm
Bottom gap	6mm
Door movement	Hold position at every 90°
Top pivot adjustment	0-20mm
Bottom pivot adjustment	+/-2mm





Revolve Free

Engineered for **500kgs** door and 360° Seamless movement with **no height or width limitations**, ensuring unmatched flexibility and reliability.

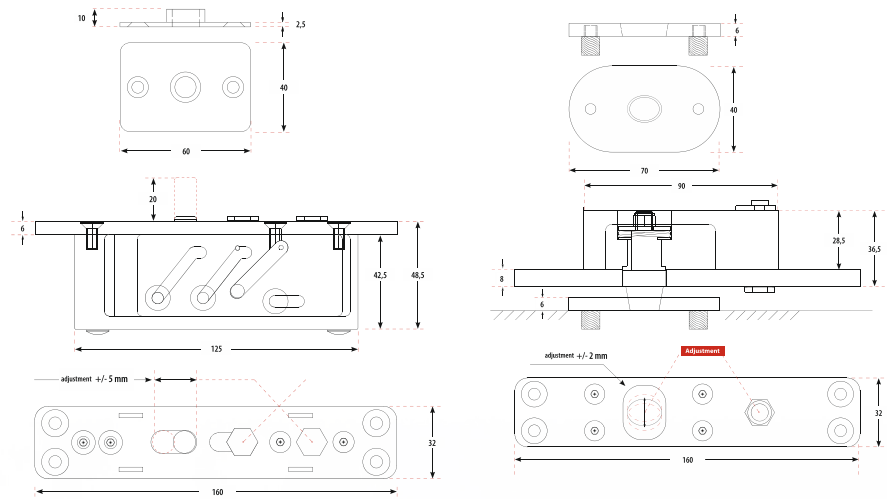
PIVOT SYSTEM

Revolve Free

Features:

- Allows door to swing freely without resistant or locking mechanism.
- Suitable for both single-acting and double-acting pivot doors.
- Compatible with various door frame styles and materials.
- Enables unrestricted 360° door movement if required.
- Constructed with high-quality materials for long lasting performance.
- Ensures quiet and seamless door motion.
- Adaptable for residential, commercial and industrial spaces.
- Designed for minimal upkeep and reliable functionality over time.

Product Dimension



Finish: Silver

Door specification

Hold positioning	----
Weight capacity	0-500 kg.
Door width	Unlimited
door height	Unlimited
Pivot point	Side and middle
Min. door thickness	40mm
Top gap	6mm
Bottom gap	6mm
Door movement	360° free-swinging pivot
Top pivot adjustment	0-20mm
Bottom pivot adjustment	+/-2mm



Hydraulic Patch for Wooden Door



HYDRAULIC PATCH FOR WOODEN DOOR

WHP2005



Features:

- Specially design for use on Aluminium Door, Wooden Door, and Steel Door application
- Standard Package comes along with Top Pivot set
- Adjustable base plate
- Door width less/equal 1000mm.
- Max. door height 2200mm.
- Min. door thickness 43mm.
- Open Angle: 140° double action
- Door hold open section: 90° and 120-140°
- Two speeds adjustable
Valve 1: 90°-0°
Valve 2: 30°-0°



Anti Corrosion



Silent



High Quality

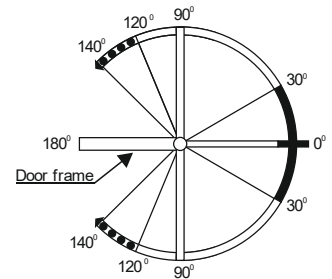


Durable





Stable

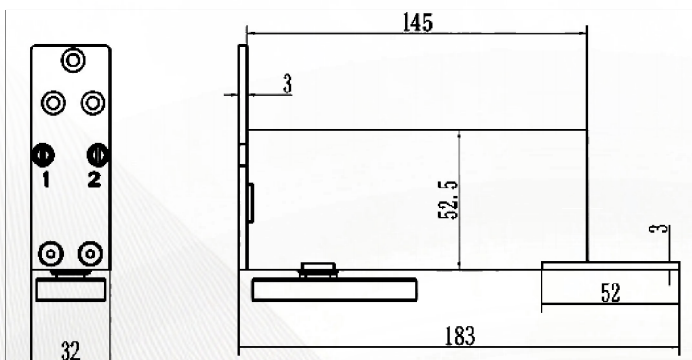
Finish: Silver



Closing control

-  Area under hydraulic control valve 1
-  Area under hydraulic control valve 2

Product Dimension



The concealed closer with Enhanced aesthetics – providing the ability to retain a clean, unhindered appearance to the door and interior, the entire technology of the Self-closing mechanism is itself housed in an artfully designed fitting and requires NO Digging of the floor in contrast to conventional floor-mounted door closers. It is assembled by simply screwing the base plate onto the existing surface.

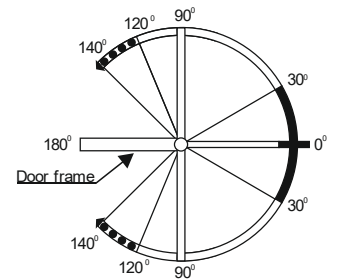
WHP2005 self-closing closer has been tested to European standards for long durability and excellent functionality in accordance with EN 1154. Quality is incorporated in every stage of manufacture by the people behind the product. From design to machine operation, assembly and through to inspection every individual takes responsibility for their part in the design and manufacture of the product and contributes to a continuous quality control ethic. Function and form characterize the Euro Art products.





Hydraulic Patch

HYDRAULIC PATCH

HP1003

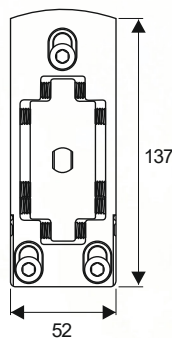
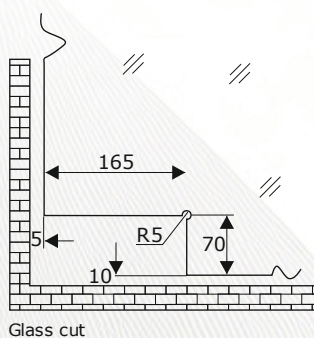
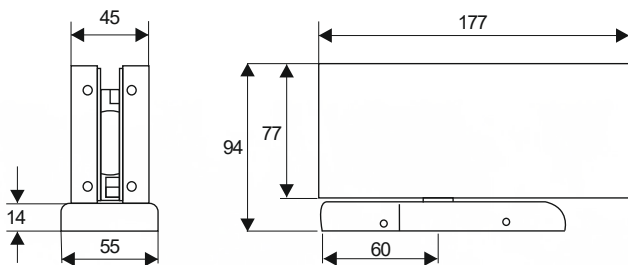


Closing control

-  Area under hydraulic control valve 1
-  Area under hydraulic control valve 2

Finish: SSS, PSS, MBL

Product Dimension



Features:

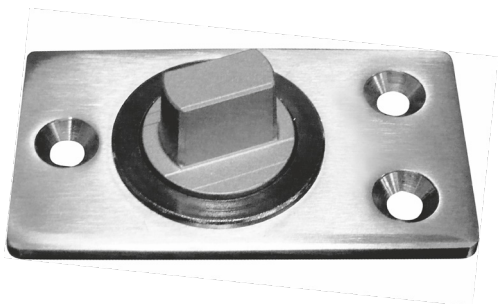
- Made for glass doors with design elements.
- Bottom patch and floor spring function are combined.
- No floor preparation or excavation required.
- Quick and easy installation with its adjustable base seat which solve any alignment issues on site without taking down the door.
- Body made of special alloy aluminum to ensure high durability
- Tested with European standards for long durability and excellent functionality
- Opening upto 140° in both direction with hydraulic control from 120°, free rotation from 120°-140°
- Heat treated high alloy steel mechanism with ball bearing for optimum efficiency.
- High quality anti-freezing oil and seal rings, makes it insensitive to temperature changes
- Soft closing or powerful latching action adjusted by valve to ensure proper closing. In case of hard to latch locks - the anti wind capability will ensure smooth functioning
- Can be re-installed after disassembly many times.
- For residential and commercial use in internal areas
- Cover plate in 304 Stainless Steel makes it rust resistant
- Loading capacity: 100 Kg.



Heavy Duty Floor Pivot

FLOOR PIVOT

1000/25F



Finish: SSS

The EuroArt floor pivot uses the same class leading bearing technology as the floor spring and is used in applications where there is no requirement for closing a door, and using hinges is difficult because the door is heavy or a double action is required.

The 2000/4F can carry a door up to 400kg whilst having a very small footprint, and only has a recess below the floor surface of 15mm.

The 1000/25F can carry a door upto 250kg with a recess below the floor surface of 16.5mm.

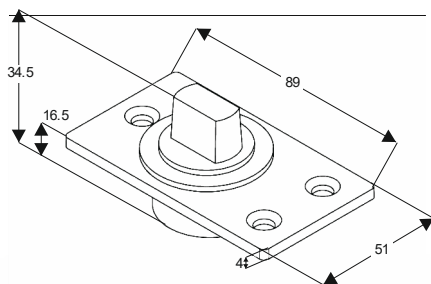
The range is compatible with all EuroArt floor spring strap systems and top centres, which must be ordered separately, if required.

Different height spindle extensions between 5mm and 50mm are available, but these must be ordered with the pivot as they cannot be changed on site.

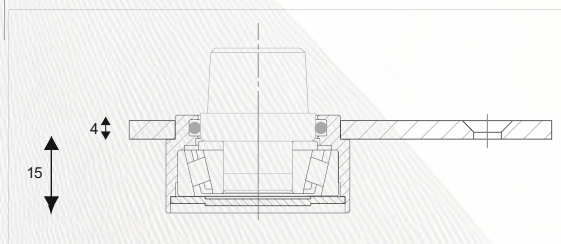
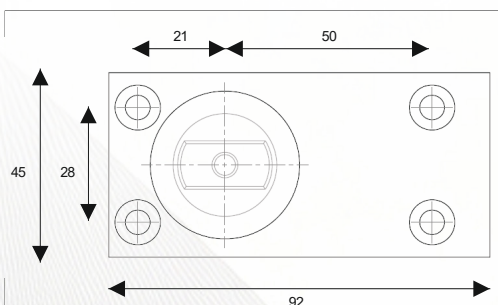
2000/4F



1000/25F



1000/25F



Ref.		1000/25F	2000/4F
Closing Force	EN Size	N/A	N/A
Door Size	Width (mm)	1400	1800
	Weight (kg)	250	400
Mechanism	Rack & Pinion	✗	✗
	Cam & Roller	✗	✗
Angle of Opening		N/A	N/A
Non Handed		✓	✓
Power Adjustment	By Spring	✗	✗
	By Template	✗	✗
Action Availability	Single	✓	✓
	Double	✓	✓
Adjustable Sweep Speed		✗	✗
Adjustable Latching Speed		✗	✗
Adjustable Backcheck		✗	✗
Adjustable Delay Action		✗	✗
Hold Open		✗	✗
Guarantee		10 yrs	10 yrs
OPTIONS			
Single Action Accessories		✓	✓
Double Action Accessoried		✓	✓
Spindle Extention		✓	✓



E-NL101 Stealthpivot NL

DOOR PIVOT

E-NL101 Stealthpivot NL

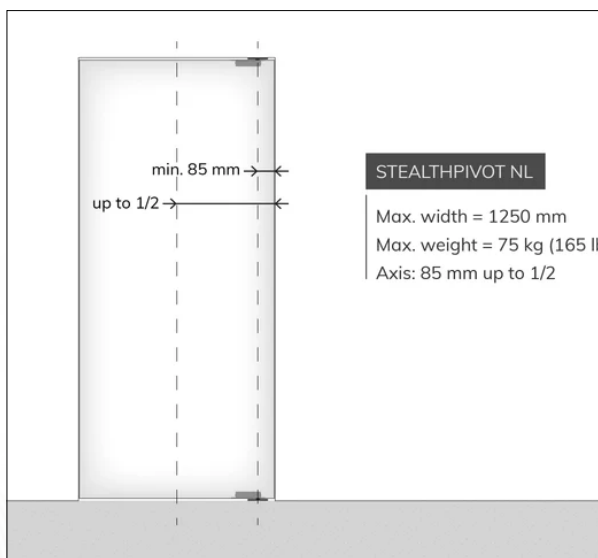


Finish: MBL

Features:

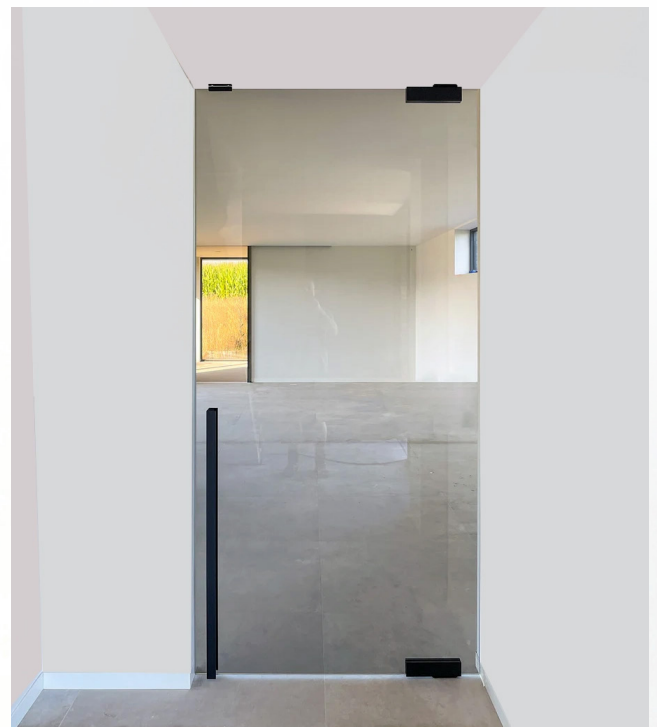
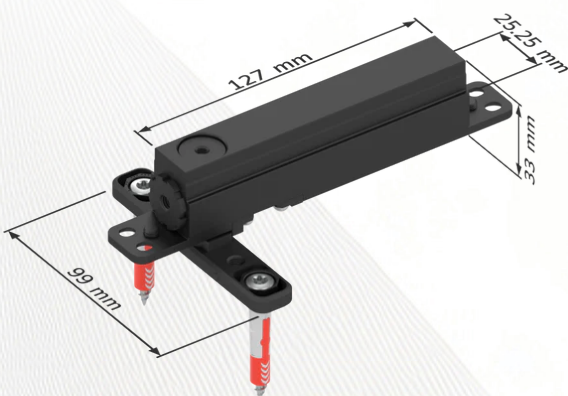
- Designed for doors up to 75 kg (165 lbs)
- Self-closing technology
- Fitted with 480N dampers
- Configurable swing operation 180° or 360°
- L 170 mm x H 33 mm x W 25 mm
- Variable axis point (min. 85 mm)
- -90° | 0° | +90° open/hold positioning
- Maintenance free design
- 200.000 cycles tested
- Designed for indoor residential use

Product Dimension



Stealthpivot is designed to be mounted on top of a finished surface without the need for any built-in fixtures.

The pivot hinge is fitted inside the door and therefore remains invisible after installation, hence the name 'Stealth pivot'.





E-XL101 Stealthpivot XL

DOOR PIVOT

E-XL101 Stealthpivot XL

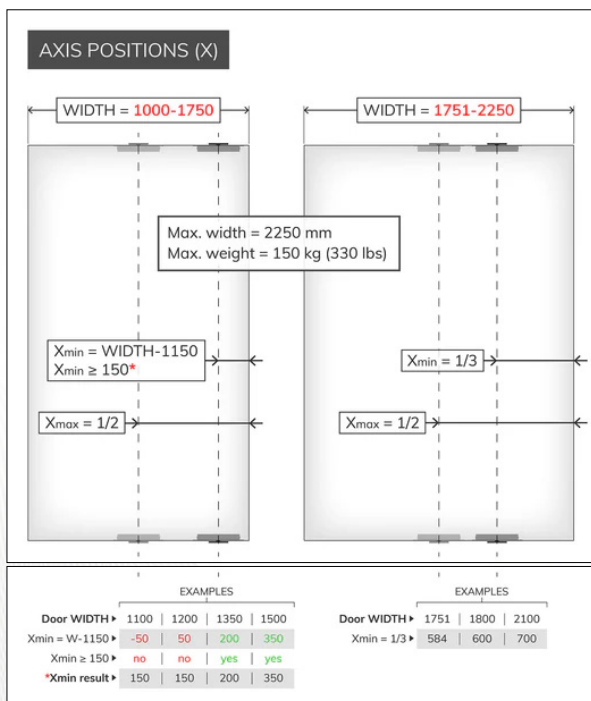


Finish: MBL

Features:

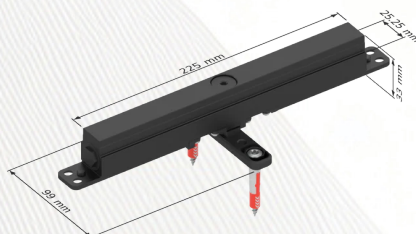
- Designed for doors up to 150 kg (330 lbs)
- Self-closing technology
- Fitted with 480N dampers
- Configurable swing operation 180° or 360°
- L 270 mm x H 33 mm x W 25 mm
- Axis point <1250 mm 150 mm up to 1/2
- Axis point >1250 mm 1/4 up to 1/2
- -90° | 0° | +90° open/hold positioning
- Maintenance free design
- 200.000x cycles tested
- Designed for indoor residential use

Product Dimension



Stealthpivot is designed to be mounted on top of a finished surface without the need for any built-in fixtures.

The pivot hinge is fitted inside the door and therefore remains invisible after installation, hence the name 'Stealth pivot'.





1000 Kg Pivot System

DOOR PIVOT

1000 Kg Pivot System

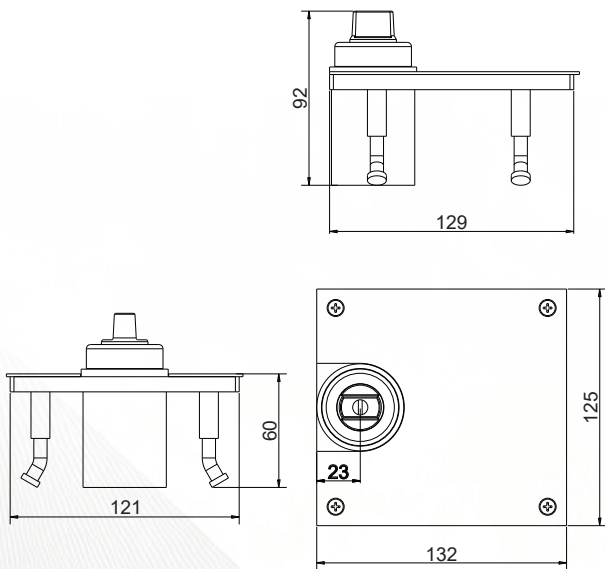
Features:

- Stainless steel 304, super anti-corrosive, durable and easy to clean.
- Additional thrust bearing for greater load capacity. dust proof.
- For wood door and metal door, weight to 1000kg
- Door edges must be beveled in 1/8" in 2"
- Minimum door thickness 50mm
- Vertical adjust 4.5mm
- Non Handed
- Finish: SSS, PSS, PVD



Finish: SSS, PSS, PVD

Product Dimension



This heavy-duty pivot is designed to support substantial weight while ensuring smooth operation, making it an excellent choice for high-traffic areas in both residential and commercial applications.



