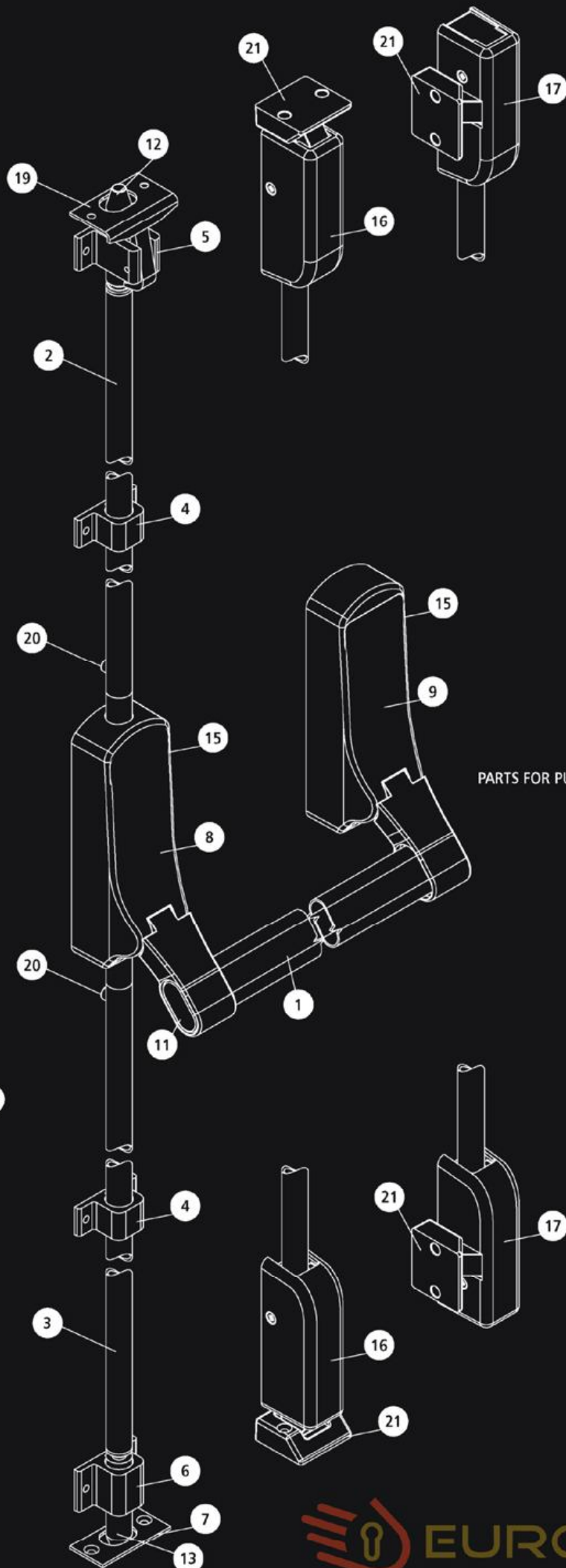


Parts List

1. Panic Push Bar
2. Top Shoot Tube
3. Bottom Shoot Tube
4. Guide
5. Top Trip Assembly
6. Bottom Guide
7. Bottom Keep Plate
8. Panic Bolt Body Assembly
9. Slave Unit
10. Push Pad Panic Latch Assembly
11. Push Bar End Plug
12. Top Shoot Bolt
13. Bottom Shoot Bolt
14. Push Pad Label
15. Foil Label
16. Vertical Pullman Latch
17. Horizontal Pullman Latch
18. Latch Keep
19. Top Trip Plate
20. Tube Screws
21. Pullman Latch Keep



PARTS FOR PUSH BAR PANIC BOLT

PARTS FOR PUSH PAD PANIC LATCH

Standards and Certification

BS EN 1125 Panic Exit Devices

It is desirable that doors at final exits in public buildings, places of entertainment, shops etc should be fitted with panic devices operated by a horizontal bar or touch bar. The emphasis for products covered by this standard is on safe exit rather than security.

Providing details on product types, classification by use, test cycles, door mass, corrosion resistance as well as definitions, product performance requirements, test apparatus, test methods and marking products.

The main purpose of the performance requirements of this standard is to give safe and effective escape through a doorway with minimum effort and without prior knowledge of the device i.e. for locked doors on escape routes where panic situations can be for seen.

BS EN 1125 applies to – Type A Push Bar Panic Bolts & Type B Touch Bar Panic Bolts.

BS EN 1125 Classifies panic exit devices by using a 9 digit coding system, each digit referring to a particular feature of the product measured against the standards performance requirement.

Digit 1 – Category of use

Only one category is identified.

- grade 3 - High frequency of use by public and others with little incentive to exercise care.

Digit 2 – Durability

Two categories are defined.

- grade 6: 100,000 cycles
- grade 7: 200,000 cycles

Digit 3 – Test door mass

Two categories are defined.

- grade 5: Up to 100kg
- grade 6: Up to 200kg

Digit 4 – Fire resistance

Two grades of fire resistance are identified:

- grade 0: Not approved for use on fire/smoke door assemblies
- grade 1: Suitable for use on fire/smoke door assemblies subject to satisfactory assessment of the contribution of the panic/emergency device to the fire resistance of specified fire/smoke door assemblies.

Digit 5 – Safety

All panic and emergency devices have a critical safety function therefore only the top grade 1 is identified.

Digit 6 – Corrosion resistance

Two grades of corrosion resistance are identified according to EN 1670.

- grade 3: High resistance
- grade 4: Very high resistance

Digit 7 – Security

Only one category of security is identified grade 2.

Panic devices are primarily for the operation of a door from the inside. Safety considerations will always be given over security.

Digit 8 – Projection of device

Two categories are defined.

- grade 1: projection up to 150mm (standard projection)
- grade 2: projection up to 100mm (low projection)

Digit 9 – Type of device

Two categories are defined.

- type A: push bar operation
- type B: touch bar operation

BS EN 179 Emergency Exit Devices

This standard covers devices to be used in emergency situations where people are familiar with the emergency exit and its hardware and therefore a panic situation is most unlikely to develop. Lever handle operated escape locks or push pads may therefore be used.

BS EN 179 applies to – Type A lever handle operated emergency device – Type B push pad operated emergency device.

BS EN 179 Classifies emergency exit devices by using a 9 digit coding system, each digit referring to a particular feature of the product measured against the standards performance requirement.

The particular features in BS EN 179 are identical to BS EN 1125, with two differences affecting digit 7 - Security and digit 9 - type of device.

Digit 7 – Security

Products covered by BS EN 179 have 3 identified categories and have the opportunities of greater security than devices covered by BS EN 1125. This is because BS EN 179 devices are subject to testing with doors under greater pressure. Three categories are defined.

- grade 2: 1000N
- grade 3: 2000N
- grade 4: 3000N

Digit 9 – Type of device

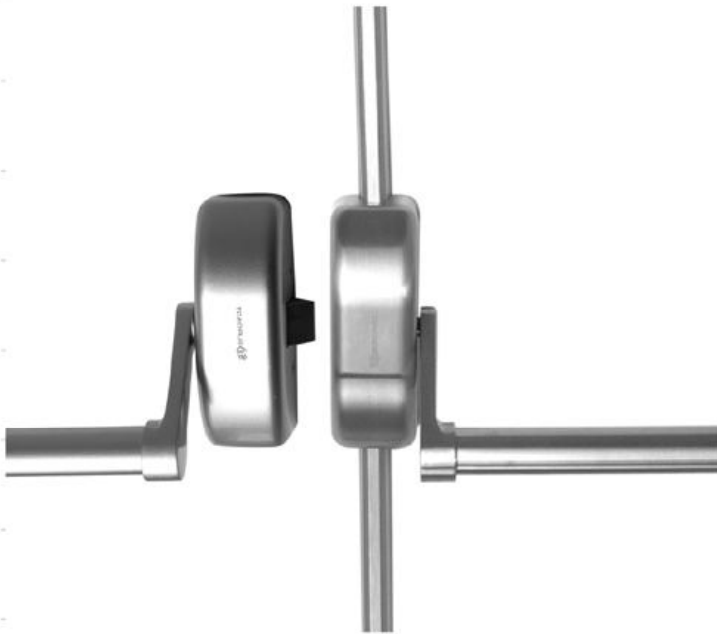
Two categories are defined.

- type A: lever handle operation
- type B: push pad operation

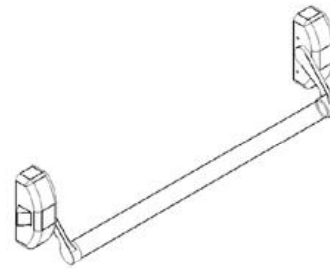
CE Marking

C.E. Marking is the easiest route to providing compliance with the latest UK Construction Products Regulations for hardware used on fire, smoke and escape route doors.

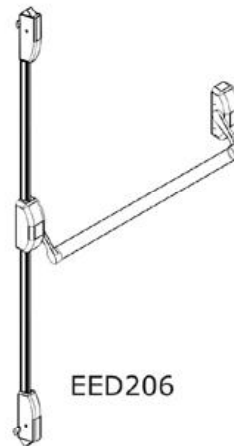
C.E. Marking indicates that the product has been 3rd party performance/fire tested where applicable and is produced in a factory which has satisfactory production control systems. All of these have to be assessed by an authorised certification organisation.

EED200 SERIES


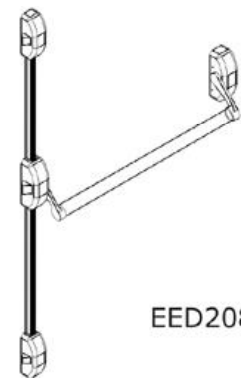
Finish: Silver, Gold, SSS, PSS, PVD, AB



EED201



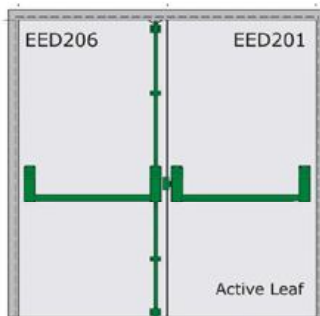
EED206



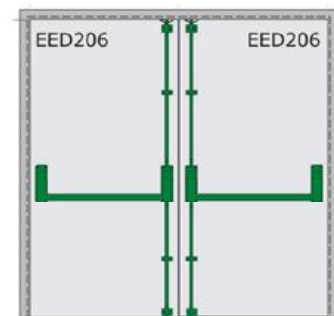
EED208

Double Door Configurations

Rebated Doors



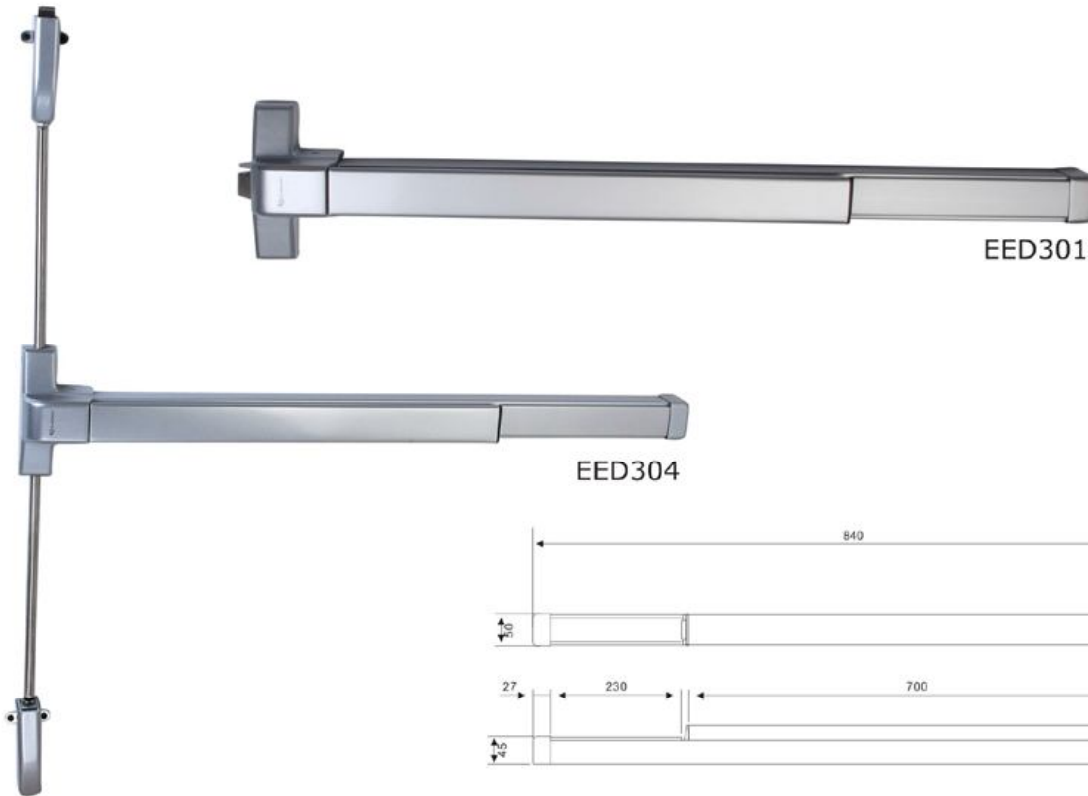
Non Rebated Doors


Features

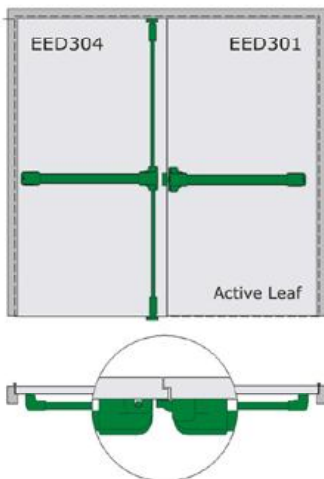
- Elegant and highly functional panic latch
- Operated by downward thrust of the cross bar to give a speedy exit in panic situation
- Available in painted steel and SS grade304
- Anti-thrust mechanism to protect against attack
- Fire rated for use on timber and steel doors

Product specification

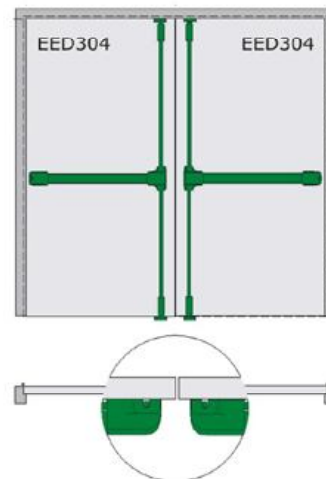
- Suitable for doors upto 1440mm wide and 2200mm height
- Supplied with 960mm rod as standard
- Door weight upto 200kg
- Non handed, suitable with out alteration for left or right hand applications
- Top rods available for doors upto 3000mm high

EED300 SERIES

Finish: Silver, Gold, SSS, PSS, PVD, AB
Double Door Configurations

Rebated Doors



Non Rebated Doors

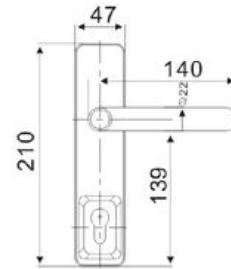

Features

- Available in painted steel and SS grade304
- Optional hold-back available enabling the door to be put into free access
- Fire rated for use on timber and steel doors
- Top rods available for doors upto 3000mm high

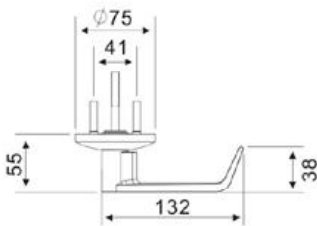
Product specification

- Suitable for doors upto 1320mm wide and 2133mm height
- Door weight upto 200kg
- Non handed, suitable with out alteration for left or right hand applications

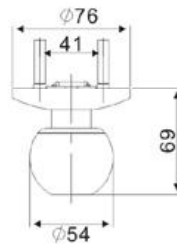
EAD230

EAD231


- Available in SS grade304
- Suitable for 45mm single cylinder, that can be keyed alike or master keyed
- Fire rated for use on timber and steel doors

Finish: SSS, PSS, PVD, AB
EAD210


- Available in SS grade304
- Storeroom, passage, dummy function available
- Fire rated for use on timber and steel doors

Finish: SSS, PSS, PVD, AB
EAD220


- Available in SS grade304
- Storeroom, passage, dummy function available
- Fire rated for use on timber and steel doors

Finish: SSS, PSS, PVD, AB
DOUBLE DOOR STRIKE

DDS222
DDS223

- To be used on rebated double doors and single leaf doors flushed with frame

Finish: SSS, PSS, PVD, AB