

HUSKY 50KG SOFT STOP

MAXIMUM DOOR WEIGHT 50kg

FOR SLIDING TIMBER & METAL DOORS

APPLICATIONS

- ▶ Enhancing the sophistication and convenience of the Husky system even further, it gently decelerates sliding doors and pulls them into their final position.
- ▶ It can be used on both the opening and closing side and is suitable for wood and metal sliding doors.
- ▶ The soft stop damper catches the door and draws it into the open or closed position for the last 110mm of travel.
- ▶ Single kit – Soft Stop on one end only (can be installed on either the open or closed side).
- ▶ Double kit – Soft Stop on both ends (operation on both open and closed side).
- ▶ Convenient and installer-friendly - there is no special tooling required.
- ▶ A high-quality, hydraulic damper is at the key of the system, which has been tested to BS EN1527, and will work maintenance-free throughout its lifetime.
- ▶ The Husky Soft Stop has been designed to be installed in new installations or retro-fitted to a current Husky application.

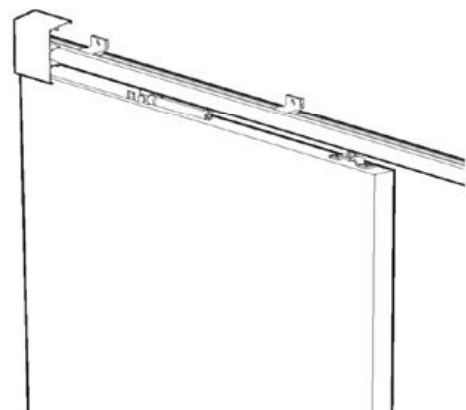
DOOR SPECIFICATION

Maximum leaf weight	50kg
Door thickness	20-50mm
Door width	Single damper installation - Minimum door width 726mm Double damper installation – Minimum door width 1020mm <i>(Double damper not available on Pocket Door)</i>
Door material	Suitable for use with timber framed doors of flush, panelled or glazed construction. Metal doors should be lightly constructed of channel or angle framing, clad with sheeting as required.



GEAR SPECIFICATION

Kit: Soft50	Single Husky 50kg soft stop kit - one damper - one soft stop block - left hand (LH) and right hand (RH) aluminium soft stop brackets* - fitting instructions - all fixings required for the kit
Kit: Soft50D	Double Husky 50kg soft stop kit - two dampers - two soft stop blocks - left hand (LH) and right hand (RH) aluminium soft stop brackets - fitting instructions - all fixings required for the kit
Required extras	2 nylon-bodied needle roller-bearing 4-wheel hangers (284) Track, in either: <ul style="list-style-type: none"> - Steel (280) - Aluminium mill finish (281A); or - Aluminium anodised finish (280AN)
Optional extras	See Husky 50 data sheet for full optional extra information, or alternatively contact PC Henderson on the contact information overleaf.



* Installer will select one of the brackets provided depending on whether operation required is closing or opening.

HUSKY 100

MAXIMUM DOOR WEIGHT 100kg

APPLICATIONS

- ▶ Ideally suited for room dividers and wardrobe doors.
- ▶ Designed with galvanised steel and aluminium track, with nylon rollers to ensure a smooth, quiet operation.
- ▶ Reliable and highly versatile sliding door hardware, using precision made components for a trouble free operation.
- ▶ Suitable for both timber and metal framed doors.
- ▶ The opening can be covered by one or a number of doors sliding to either side. Where the door travels more than its own width, a continuous bottom guide channel must be used with two guides per door.
- ▶ Flexible fixing options. The track may be fixed direct to the underside of the lintel (single or multiple runs) or face fixed with brackets.

DOOR SPECIFICATION

Max leaf weight	100Kg
Door thickness	20 - 50mm
Door material	Suitable for use with timber framed doors of flush, panelled or glazed construction. Metal doors should be lightly constructed of channel or angle framing, clad with sheeting as required.

GEAR SPECIFICATION

Kits	Husky 100 kits contain: Track- Steel (280) or mill finish aluminium (280A) Face fixing brackets - Steel (281) or mill finish aluminium (281A) End and jointing bracket for aluminium kits - mill finish aluminium (281AX) 2 nylon bodied, needle roller bearings 4-wheel hangers (284) Nylon guide (102N) Clip stop (601H) Track stop (287) Fitting instructions
-------------	--

Maximum leaf size	Weight	Kit number	
		Steel track	Aluminium track
2700 x 800 x 50mm	100kg	H100/15	H100/15A
2700 x 950 x 50mm	100kg	H100/18	H100/18A
2700 x 1050 x 50mm	100kg	H100/20	H100/20A
2700 x 1250 x 50mm	100kg	H100/24	H100/24A

Refer to price list for part numbers

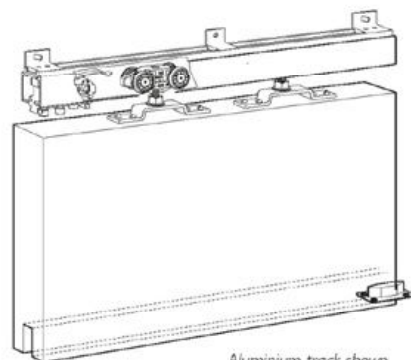
Optional Extras	Anodised aluminium track	280AN - Standard lengths
	Aluminium face fix bracket packs	2815A (5 brackets) 2818A (8 brackets)
	Steel bracket packs	2815 (5 brackets) 2818 (8 brackets)
	Hanger for metal doors	285
	Roller guide	106N/94
	Aluminium floor channel	94X
	Satin anodised SA flush pull 100x48mm/400	
	Stainless steel SS flush pull 100x48mm	400SS
	Polished stainless steel flush pull 100x48mm	400PSS
	Satin anodised flush pull	333
	Mortice sliding door lock	395
	Fascia for aluminium track for doors up to 50mm	F134 (soffit fix) F140 (face fix)
	Fascia for aluminium track for doors up to 25mm	F138 (soffit fix)
	Simultaneous Action Kit*	SIM100

*To be used in conjunction with two kits

FOR SLIDING TIMBER & METAL DOORS



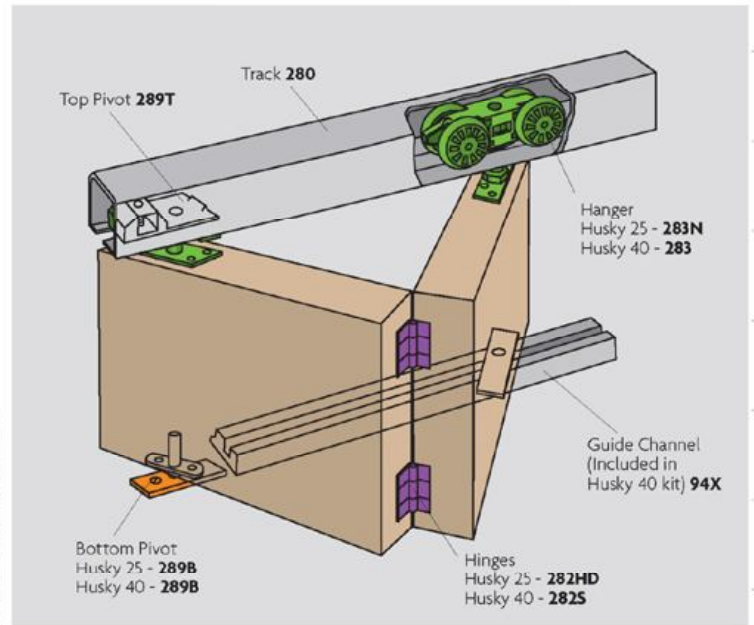
Two kits required



Aluminium track shown

HUSKY FOLDING 25 & 40

FOLDING
WOOD
METAL
**25kg
40kg**

Doors not supplied by P.C. Henderson


The Husky Folding door system provides a simple and flexible solution for both light and medium weight residential folding partitions. Designed for timber, timber framed and composite doors, its concealed fixings and robust floor gear allow the partitions to be neatly stacked at one or both sides. The Husky Folding 25 can support doors of up to 25kg and 610mm wide without a floor channel, and the Husky Folding 40 can support doors of up to 40kg and 762mm wide, with a floor channel guide included.

STANDARD DOOR KIT*

For 2 or 4 Doors, Husky Folding 25:

- Steel Track x1 (280)
- Top and Bottom Pivots for Fixing into End Panel x1 (289T & 289B)
- 4 Wheeled Adjustable Nylon Hangers - x1 for 2 Doors, x2 for 4 Doors (283N)
- Hinges - x3 for 2 Doors, x9 for 4 Doors (282HD)

For 2 or 4 Doors, Husky Folding 40:

- Steel Track x1 (280)
- Top Pivots for Fixing into End Panel x1 (289T)
- Bottom Pivots for Fixing into End Panel x1 (289B)
- Guide Channel x1 (94X)
- Needle Roller Bearing Hangers for Top Plate - x1 for 2 Doors, x2 for 4 Doors (283)
- Roller Guide - x1 for 2 Doors, x2 for 4 Doors (106H/HF/94)
- Hinges - x3 for 2 Doors, x9 for 4 Doors (2825)

NB. Extra Pivots required for 4 doors folding (2 + 2).

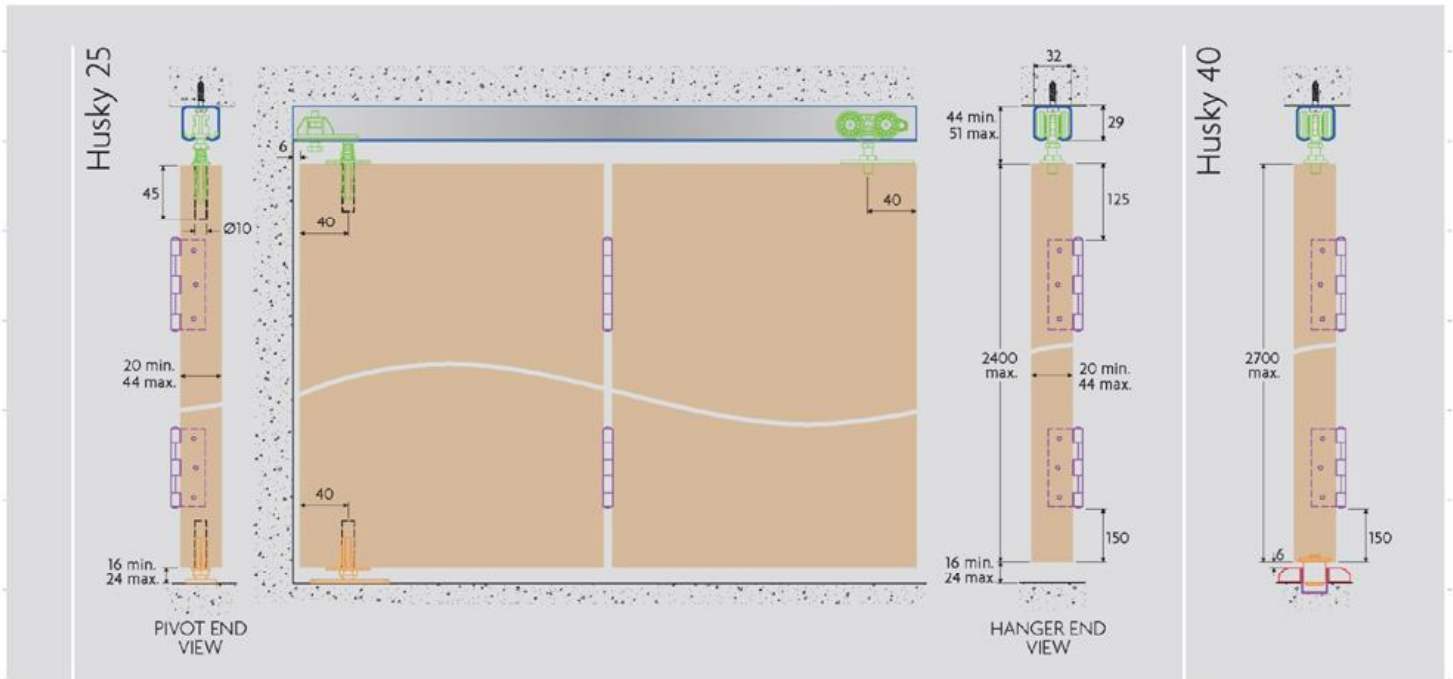
* 2 and 4 door fitting packs contain all the components contained in the kits except the track/channel. Order also Steel Track (280) or Aluminium Section Track (280A).

HUSKY FOLDING 25 & 40

FOLDING

WOOD

METAL

 25kg
40kg


OPTIONAL EXTRAS

Upgrade your installation with your choice of the following high quality accessories.

- | | |
|------------------------|-----------------|
| ■ Guide | 106HF/94 |
| ■ 2 Door Fittings Pack | HF2/40 |
| ■ 4 Door Fittings Pack | HF4/40 |



Handles & Locks

Those little extras that can make a big difference. Choose from a variety of premium handle and lock upgrades.

- | | |
|-------------|------------|
| ■ Flushpull | 400 |
| ■ Flushbolt | 333 |



STANDARD KIT ORDER CODES

Product	Order Code	No. of Doors	Track Length	Max Door Size	Max Door Weight	Door System
Husky 25	HF25/12	2	1234mm	2400 x 610 x 44mm	25kg	■ ^
	HF25/24	4	2458mm	2400 x 610 x 44mm	25kg	■ ^
Husky 40	HF40/15	2	1538mm	2700 x 762 x 44mm	40kg	■ ^
	HF40/30	4	3066mm	2700 x 762 x 44mm	40kg	■ ^